



US00D790950S

(12) **United States Design Patent** (10) **Patent No.:** **US D790,950 S**
Kraus et al. (45) **Date of Patent:** **** Jul. 4, 2017**

(54) **INTERIOR HOUSING FOR A DOOR LOCK**

FOREIGN PATENT DOCUMENTS

(71) Applicant: **Yale Security Inc.**, Monroe, NC (US)

CA 117845 A 4/1909
CA 103542 S 9/2004

(72) Inventors: **Kevin Kraus**, Monument, CO (US);
Mark Caterino, Prospect, CT (US);
Tiffany Mayo, Prospect, CT (US);
Jason Williams, Atlanta, GA (US)

(Continued)

(73) Assignee: **YALE SECURITY INC.**, Monroe, NC (US)

Chilean Patent Office; Office Action for Chilean Patent Application No. 201502173 dated Nov. 14, 2016, 5 Pages.

(Continued)

(**) Term: **15 Years**

Primary Examiner — Prabhakar Deshmukh

(21) Appl. No.: **29/562,484**

(74) *Attorney, Agent, or Firm* — Michael G. Johnston;
Moore & Van Allen PLLC

(22) Filed: **Apr. 26, 2016**

(57) **CLAIM**

Related U.S. Application Data

We claim the ornamental design for an interior housing of a door lock, as shown and described.

(62) Division of application No. 29/516,573, filed on Feb. 4, 2015.

(51) **LOC (10) Cl.** **08-07**

DESCRIPTION

(52) **U.S. Cl.**
USPC **D8/331; D8/330**

(58) **Field of Classification Search**
USPC D8/330, 331, 334, 300, 301, 350; 70/14,
70/20-22, 57, 57.1, 284-286, 314,
70/DIG. 44, 266, 277, 271

CPC E05B 9/00; E05B 9/02; E05B 2009/006;
E05B 49/00

See application file for complete search history.

FIG. 1 is a perspective view showing an embodiment of our design for an interior housing of a door lock.

FIG. 2 is a front view of the embodiment of our design shown in FIG. 1.

FIG. 3 is a back view of the embodiment of our design shown in FIG. 1.

FIG. 4 is a side view of the embodiment of our design shown in FIG. 1.

FIG. 5 is another side view of the embodiment of our design shown in FIG. 1.

FIG. 6 is a top view of the embodiment of our design as shown in FIG. 1; and,

FIG. 7 is a bottom view of the embodiment of our design as shown in FIG. 1.

The broken lines in the figures are directed to unclaimed features. The broken lines form no part of the claimed design.

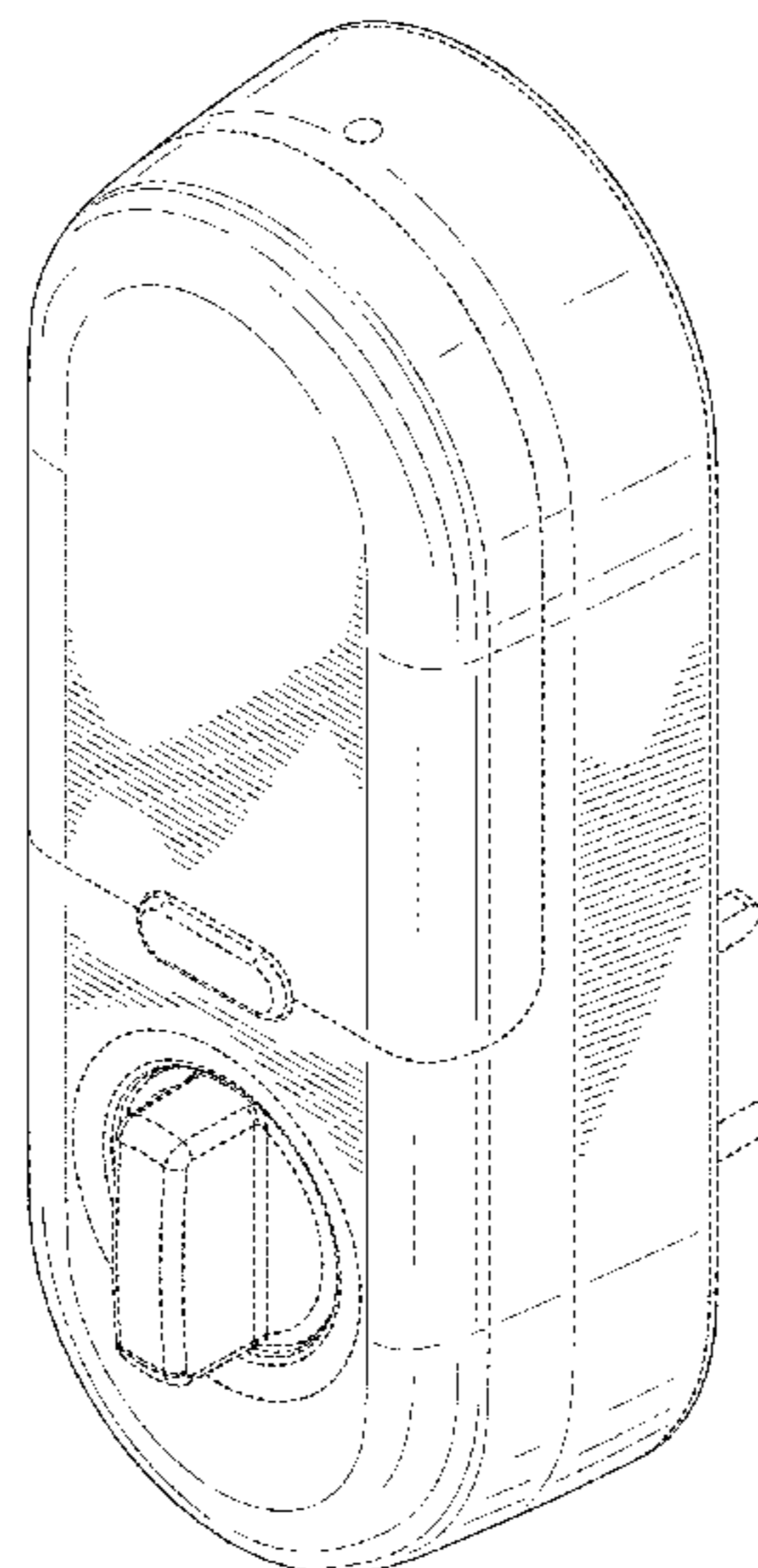
(56) **References Cited**

U.S. PATENT DOCUMENTS

3,041,720 A 7/1962 Pantas
D271,374 S 11/1983 Butts
4,708,007 A 11/1987 Stoia
D318,214 S 7/1991 Fleming et al.
5,433,333 A 7/1995 Martell
D365,976 S * 1/1996 Chiu D8/301

(Continued)

1 Claim, 6 Drawing Sheets



(56)

References Cited

U.S. PATENT DOCUMENTS

D403,054 S	12/1998	Lobermeier	
D423,911 S	5/2000	Dagley	
D429,142 S	8/2000	Monge et al.	
D437,771 S *	2/2001	Barnes	D8/352
D453,899 S	2/2002	LaPlume et al.	
6,598,439 B1 *	7/2003	Chen	E05B 17/14 70/416
6,733,050 B1 *	5/2004	Yao	E05B 63/044 292/137
D494,841 S	8/2004	Moon	
D508,393 S	8/2005	Gao et al.	
D513,469 S *	1/2006	Gao	D8/350
D526,048 S	8/2006	Schaffeld et al.	
7,091,429 B2	8/2006	Case et al.	
D588,439 S	3/2009	Lin et al.	
D592,936 S	5/2009	Douglas et al.	
7,984,631 B2	7/2011	Case et al.	
D643,513 S	8/2011	Wu	
D675,083 S	1/2013	Clark et al.	
D682,656 S	5/2013	Cramer et al.	
D683,205 S	5/2013	Cramer et al.	

D684,842 S	6/2013	Chan et al.	
D699,096 S	2/2014	Chan et al.	
D733,522 S *	7/2015	Kim	D8/331
D737,657 S	9/2015	Nadgouda	
D738,186 S	9/2015	Nadgouda	
D755,036 S *	5/2016	Lu	D8/331
D761,079 S *	7/2016	Groleski	D8/331
D766,067 S *	9/2016	Hyde	D8/330
D768,463 S	10/2016	Kraus et al.	
D773,281 S *	12/2016	Meyerhoffer	D8/331

FOREIGN PATENT DOCUMENTS

CA	129619 S	11/2009
CA	140650 S	12/2011
CL	201502172	6/2016

OTHER PUBLICATIONS

Kwikset Corporation; "Kevo Installation and User Guide," 2014, 4 Pages.
 USPTO; Design U.S. Appl. No. 29/449,541, filed Mar. 15, 2013.

* cited by examiner

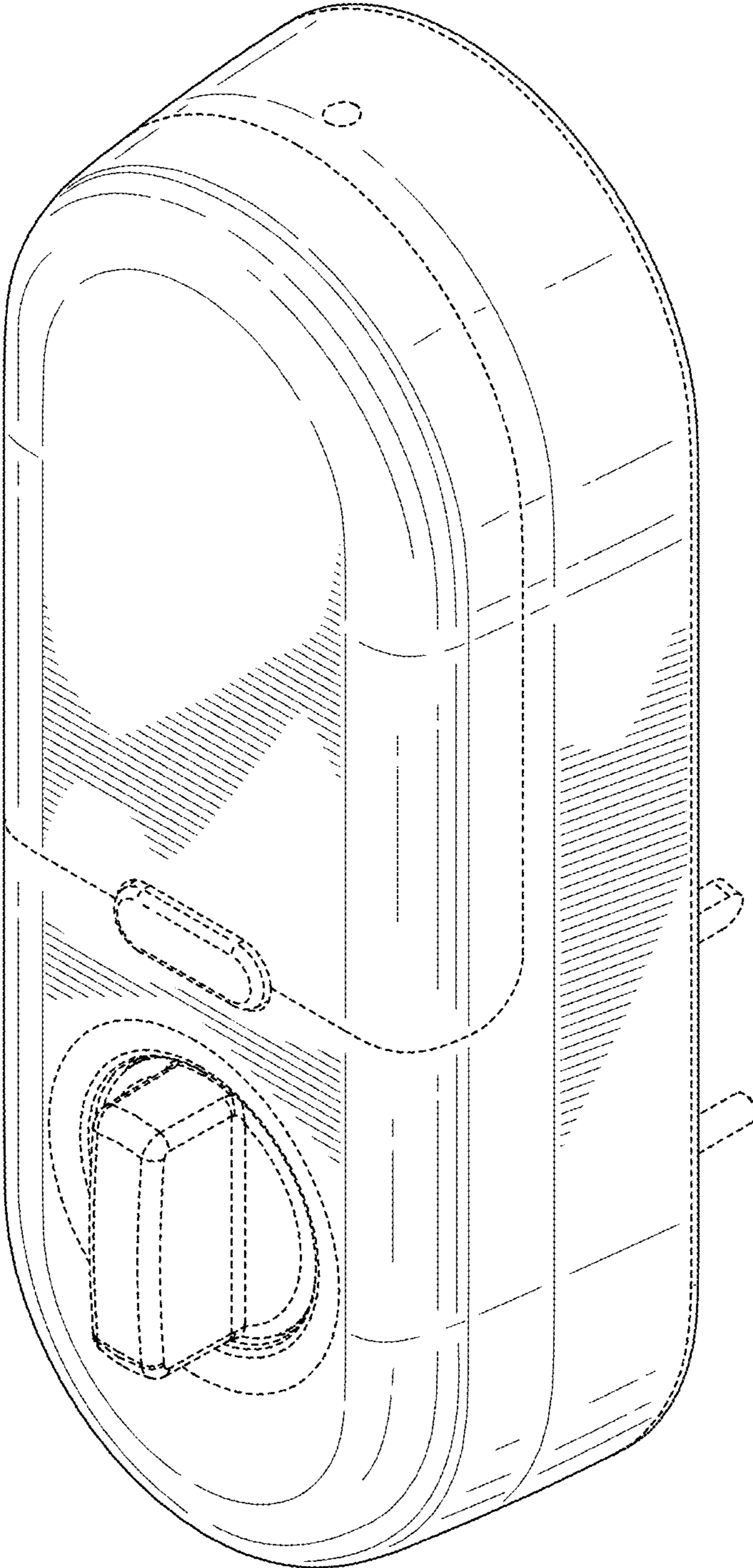


FIG. 1

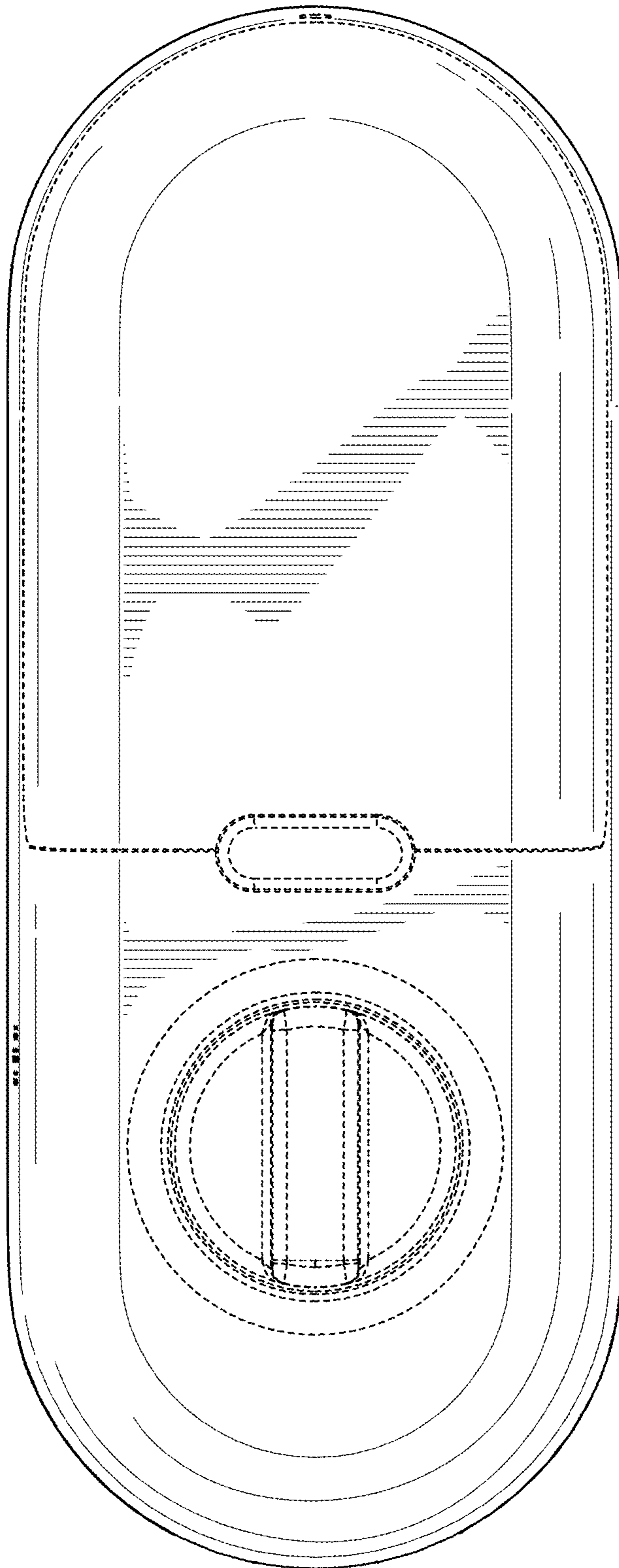


FIG. 2

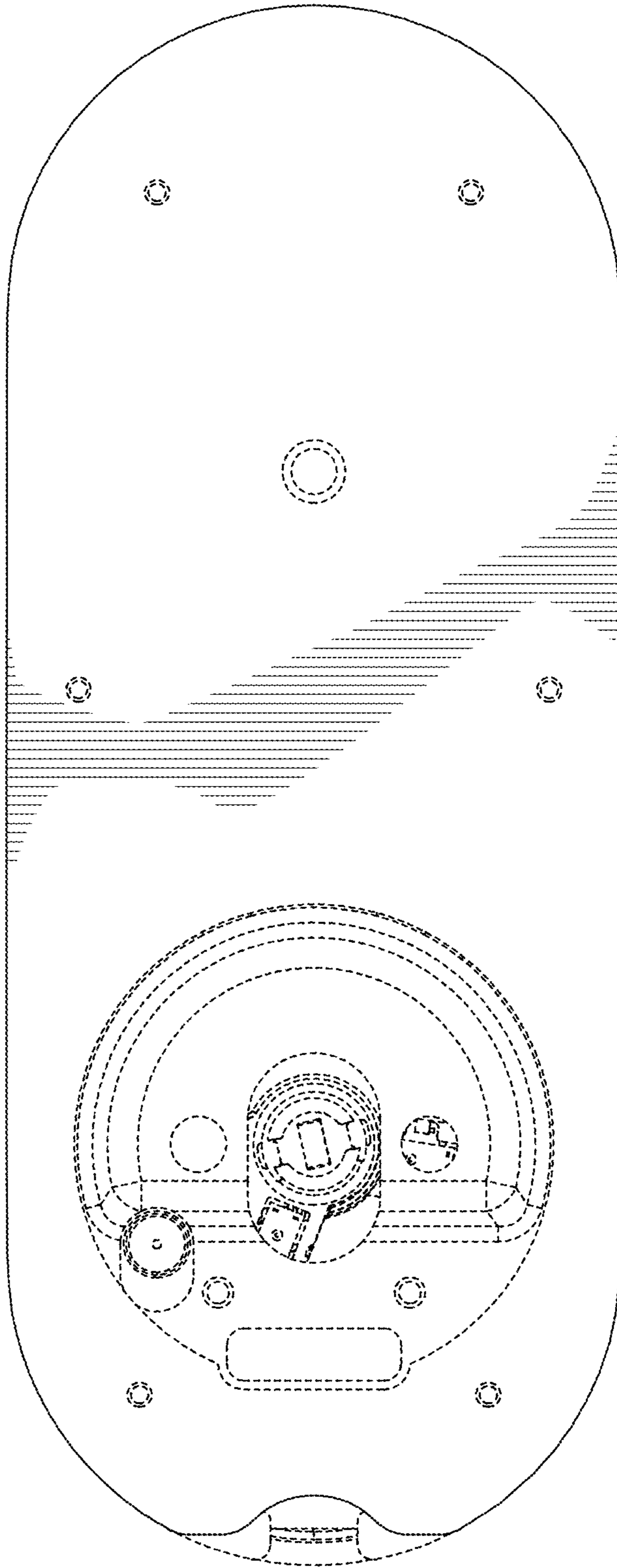


FIG. 3

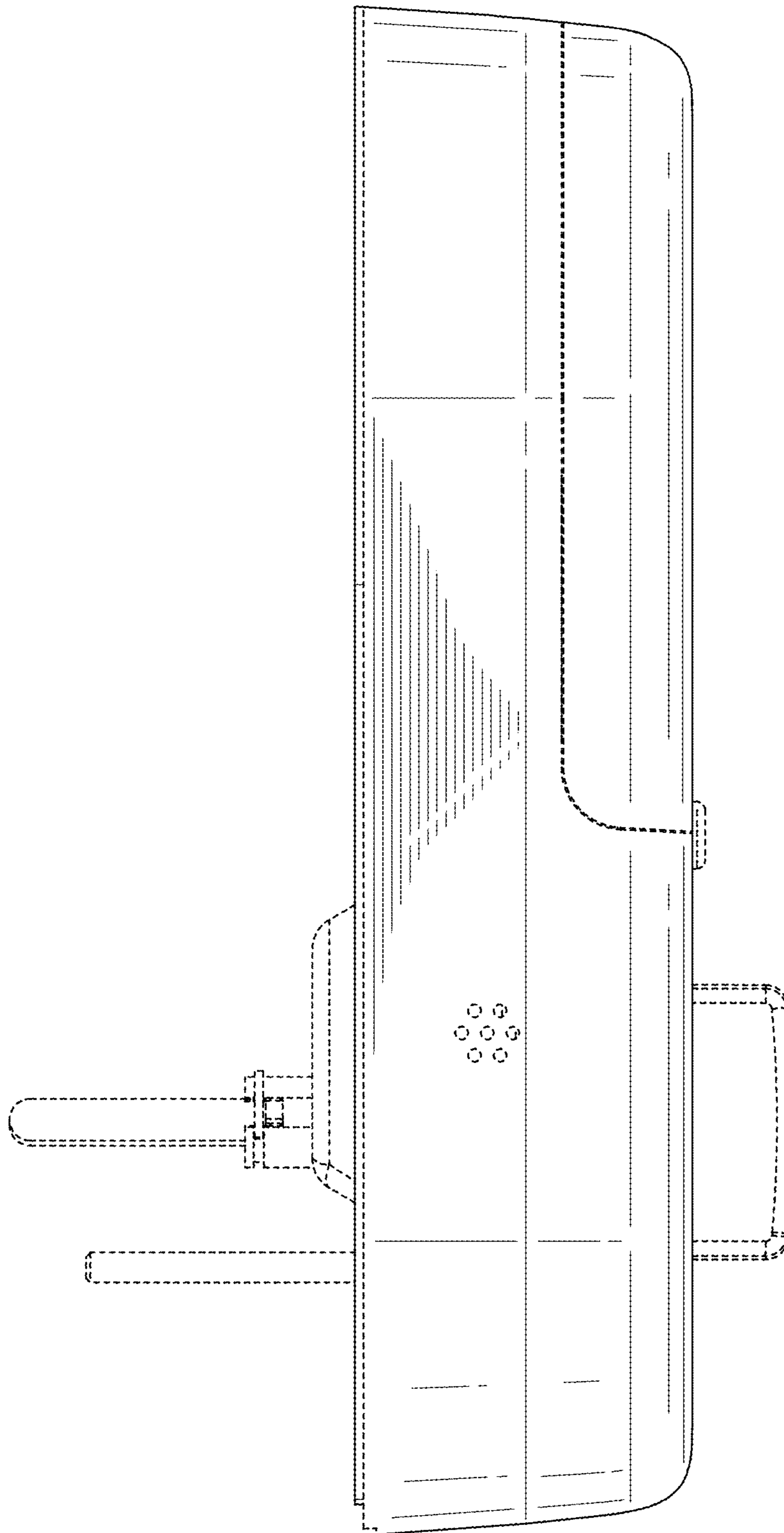


FIG. 4

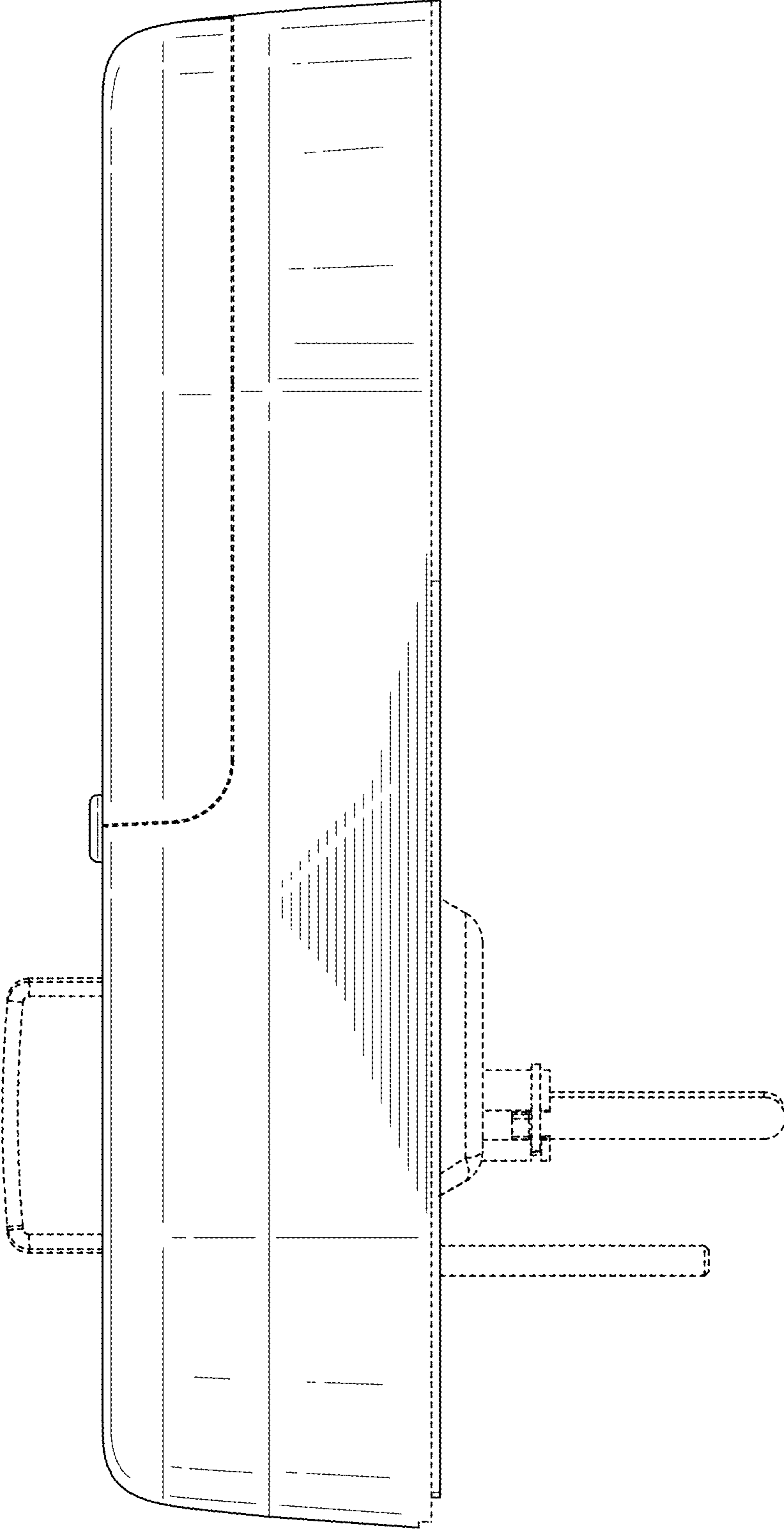


FIG. 5

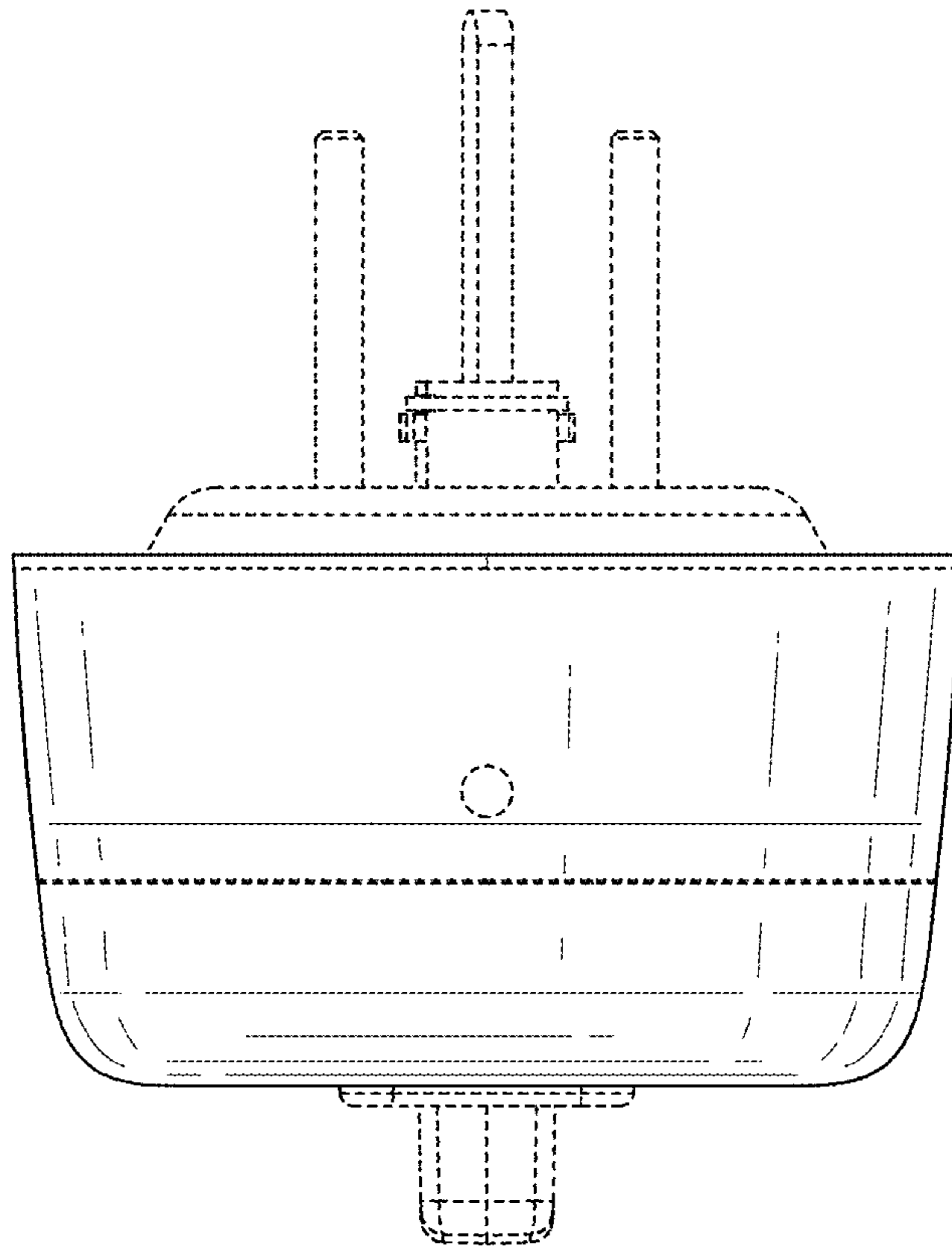


FIG. 6

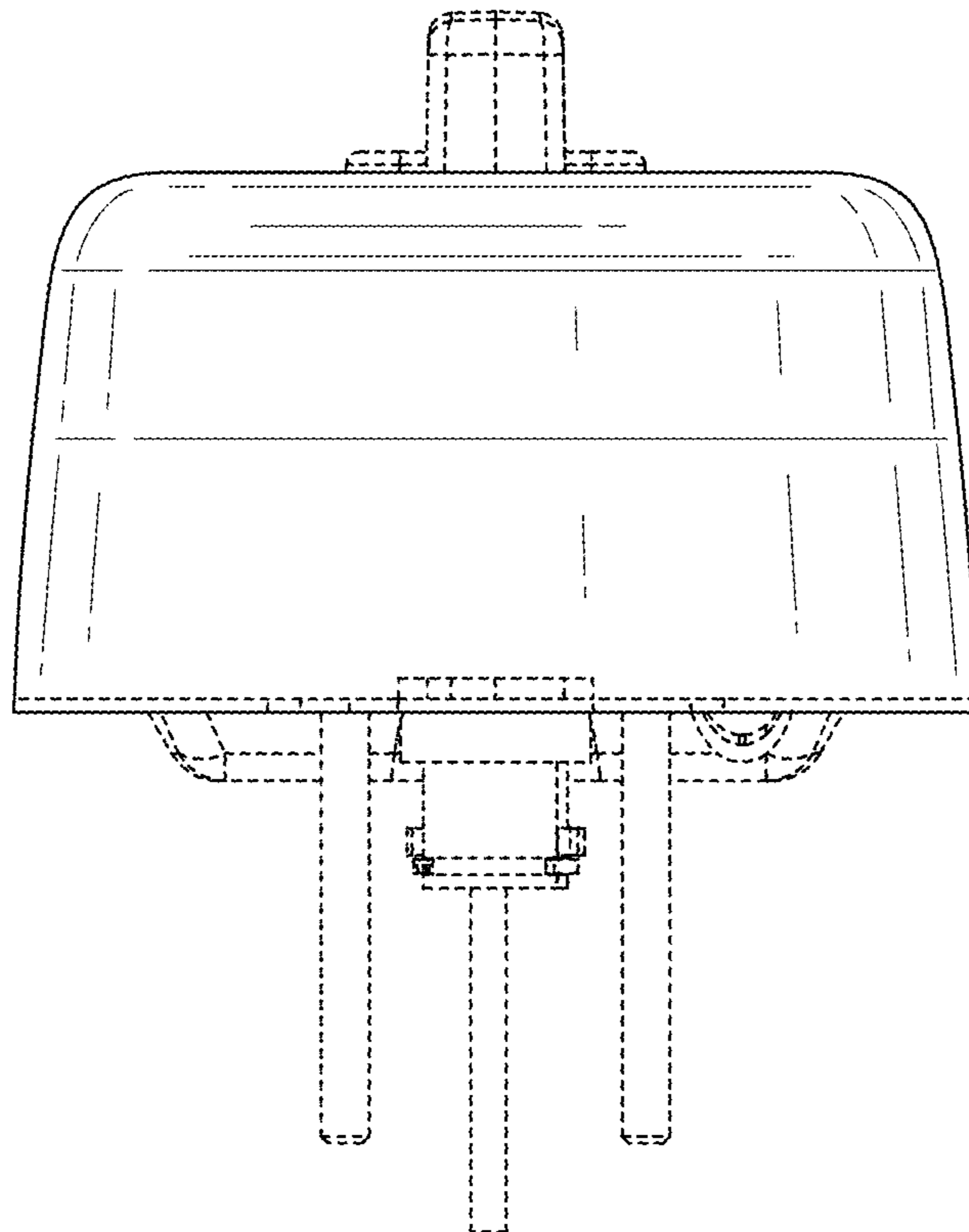


FIG. 7