



US00D790949S

(12) **United States Design Patent**
Aerts et al.

(10) **Patent No.: US D790,949 S**
(45) **Date of Patent: ** Jul. 4, 2017**

(54) **LOCK MECHANISM**

(71) Applicant: **RapidFit N.V.**, Leuven (BE)

(72) Inventors: **Joris Aerts**, Leuven (BE); **Christophe Van den Bergh**, Leuven (BE); **Filip Dehing**, Leuven (BE)

(73) Assignee: **RapidFit NV**, Leuven (BE)

(**) Term: **15 Years**

(21) Appl. No.: **29/562,043**

(22) Filed: **Apr. 21, 2016**

(51) **LOC (10) Cl. 08-07**

(52) **U.S. Cl.**

USPC **D8/331**; D8/330

(58) **Field of Classification Search**

USPC D8/330, 331, 336, 339, 343, 349, 350,
D8/354, 382, 400, 300, 301, 302; 70/14,
70/51, 52, 57, 57.1, 67, 69, 78, 85, 86,
70/88, 141, 262, 263, 431, 218, 221, 203;
292/32, 358, 359, DIG. 68, DIG. 30, 137,
292/106, 108, 336.3

CPC E05B 3/00; E05B 9/00; E05B 2009/004;
E05B 47/00; E05B 55/00; E05B 15/00;
E05C 7/00; E05C 19/08

See application file for complete search history.

(56) **References Cited**

U.S. PATENT DOCUMENTS

5,396,725 A * 3/1995 Talbot F41G 11/003
42/127
D620,340 S * 7/2010 Liljeqvist D8/330

7,878,032 B1 * 2/2011 Gogel E05B 67/38
292/205
D665,244 S * 8/2012 Weinerman D8/330
8,833,114 B2 * 9/2014 Szczygielski E05B 65/0021
70/203
D719,812 S * 12/2014 Sui D8/330
D766,066 S * 9/2016 Euchner D8/330
D769,102 S * 10/2016 Euchner D8/331
9,562,560 B1 * 2/2017 Salton F16C 11/10
9,567,115 B2 * 2/2017 Dube B64G 1/641

* cited by examiner

Primary Examiner — Prabhakar Deshmukh

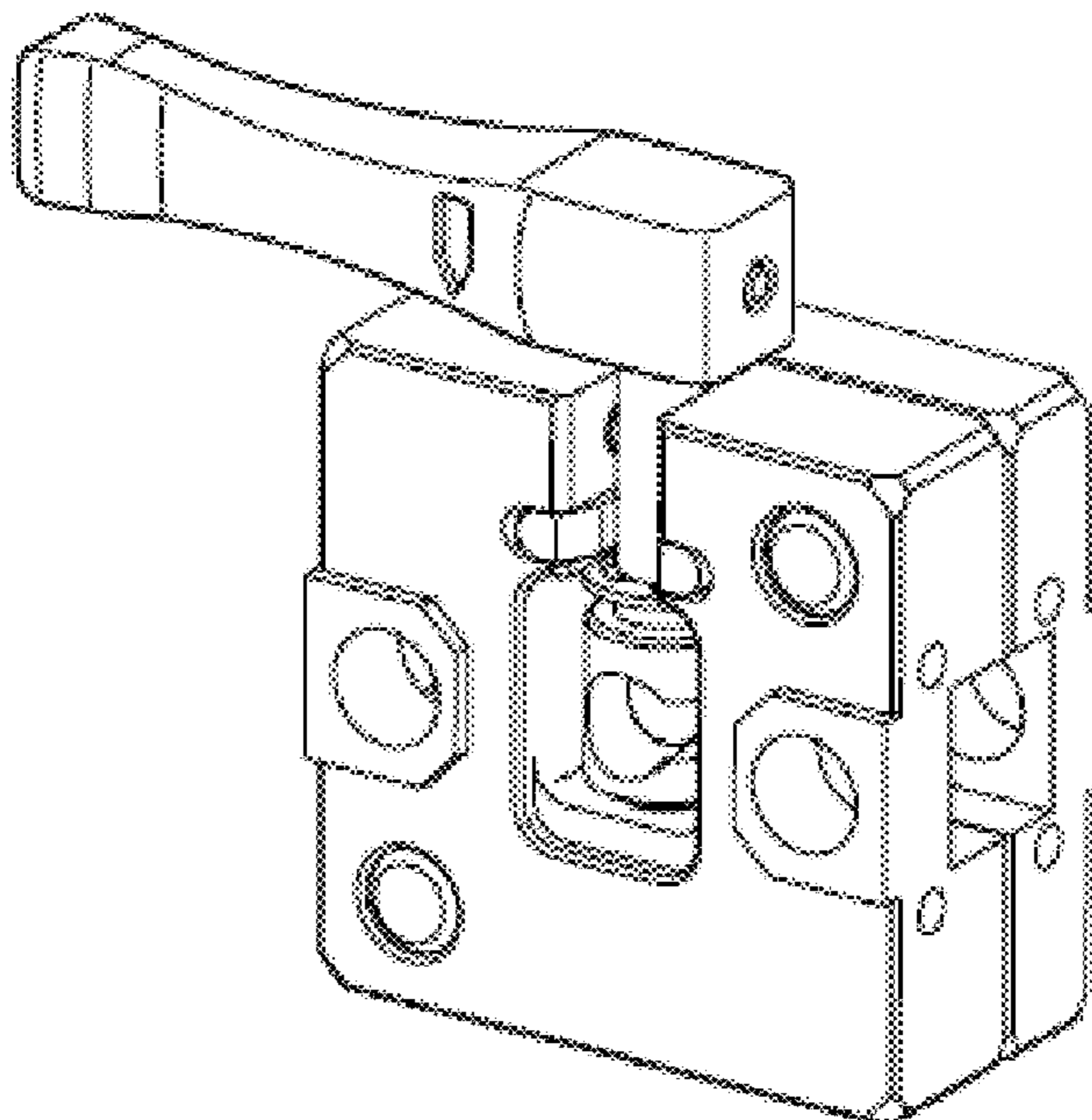
(57) **CLAIM**

The ornamental design of a lock mechanism, substantially as shown and described.

DESCRIPTION

FIG. 1 is a perspective view of a lock mechanism showing our new design;
FIG. 2 is another perspective view thereof;
FIG. 3 is a front elevational view thereof;
FIG. 4 is a rear elevational view thereof;
FIG. 5 is a right side elevational view thereof;
FIG. 6 is a left side elevational view thereof;
FIG. 7 is a top plan view thereof; and,
FIG. 8 is a bottom plan view thereof.

1 Claim, 4 Drawing Sheets



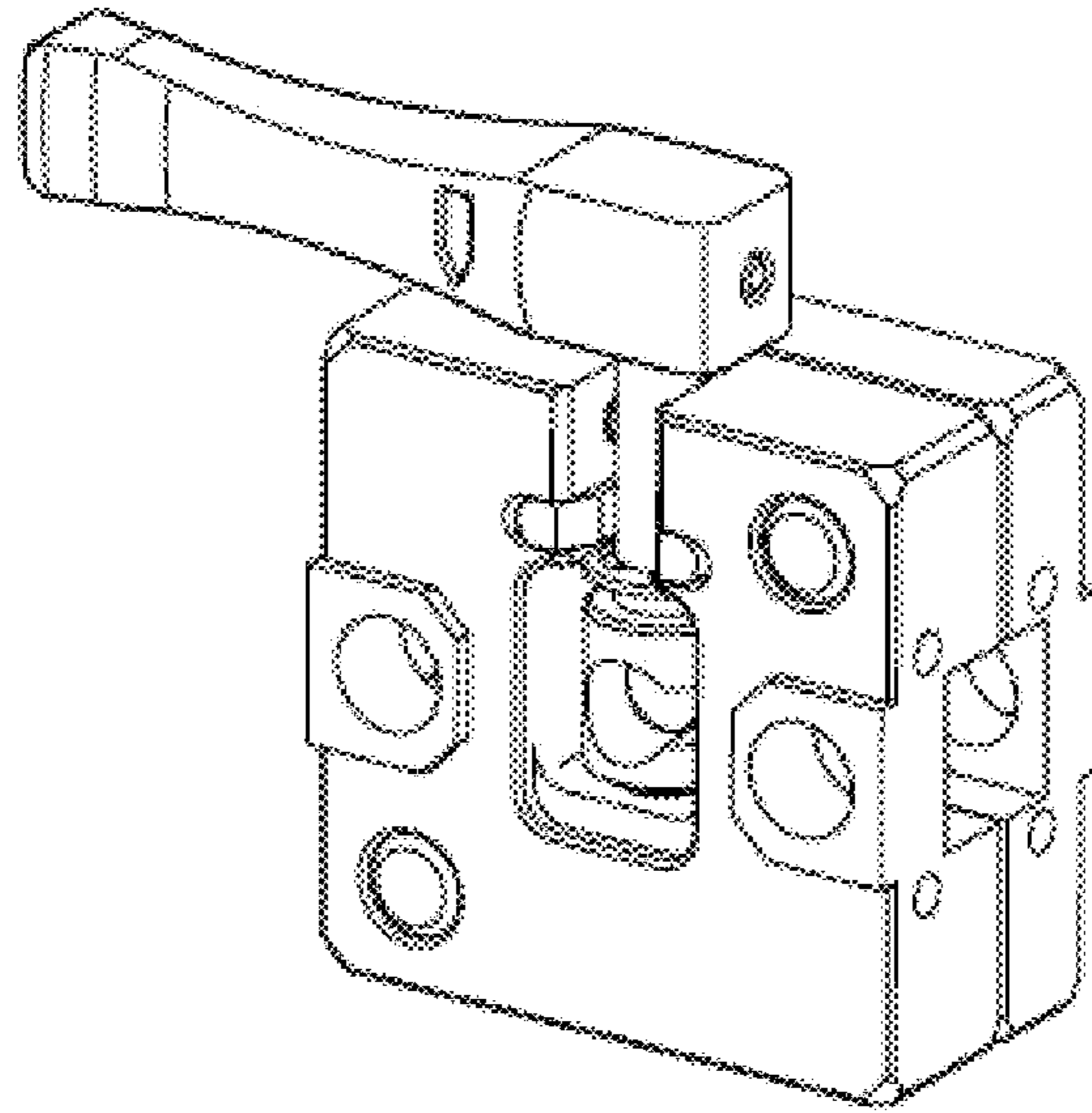


FIG. 1

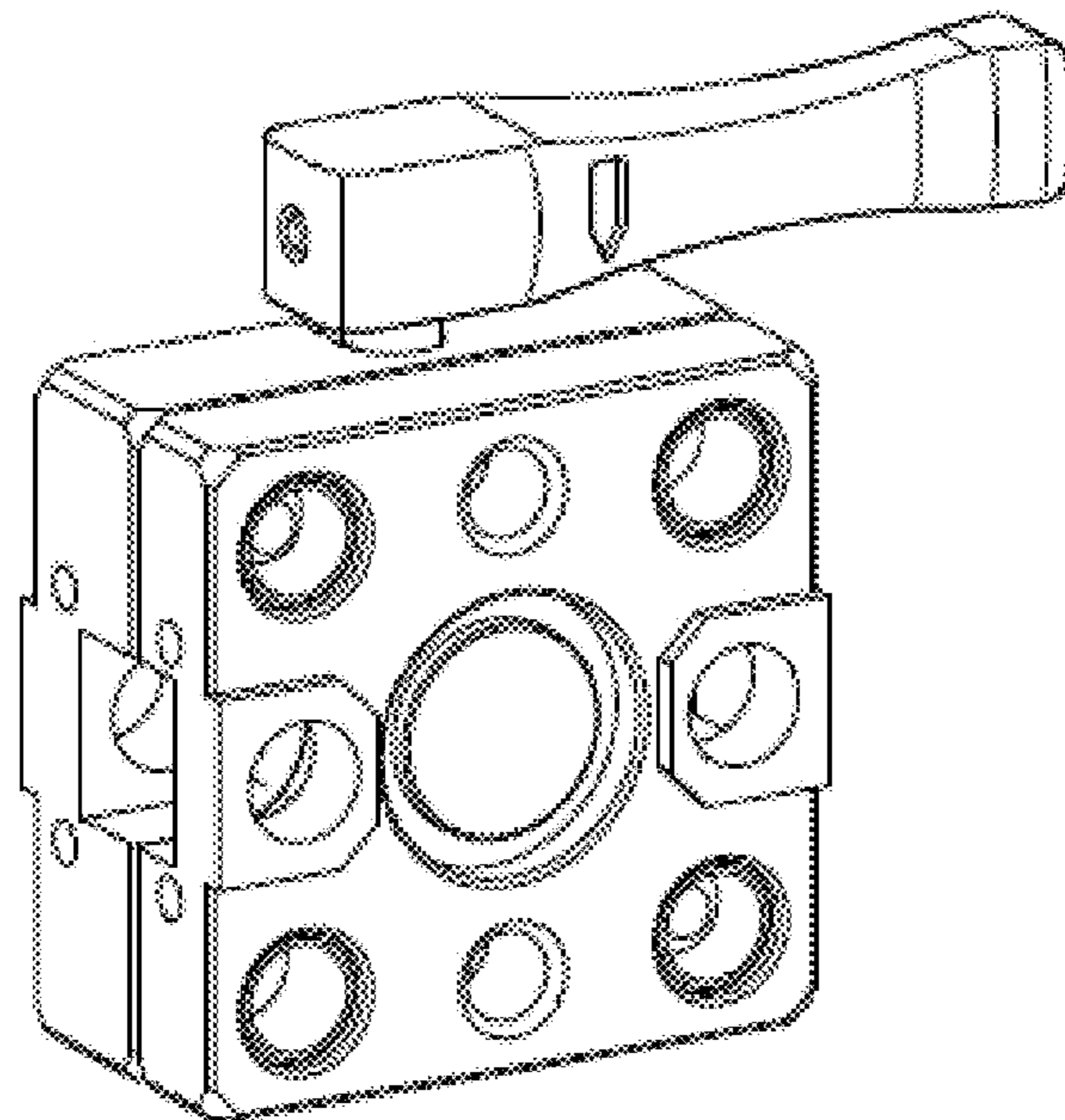


FIG. 2

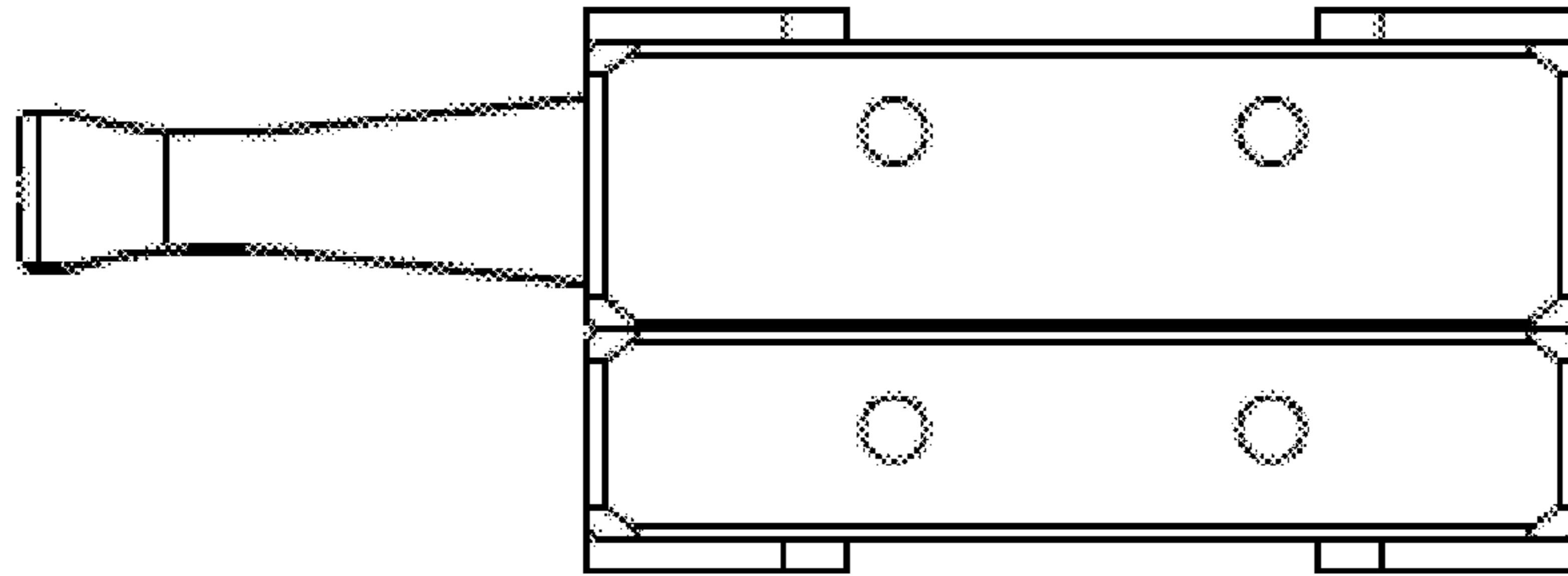


FIG. 3

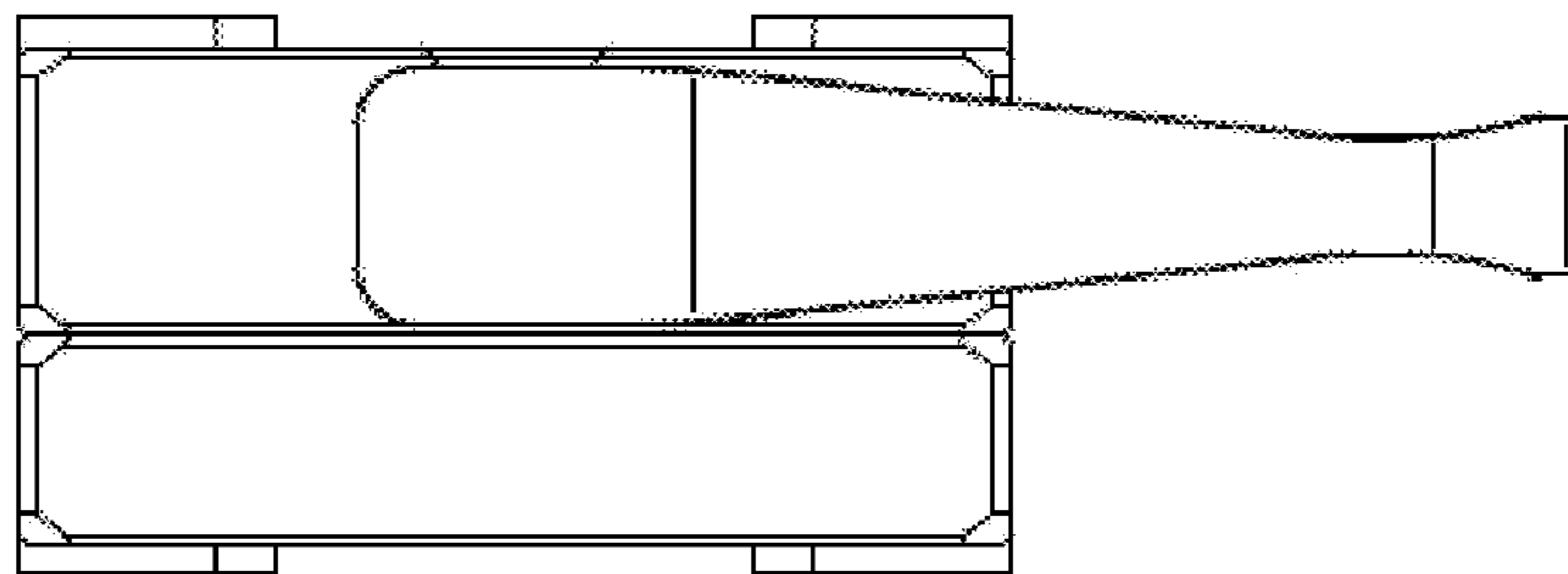


FIG. 4

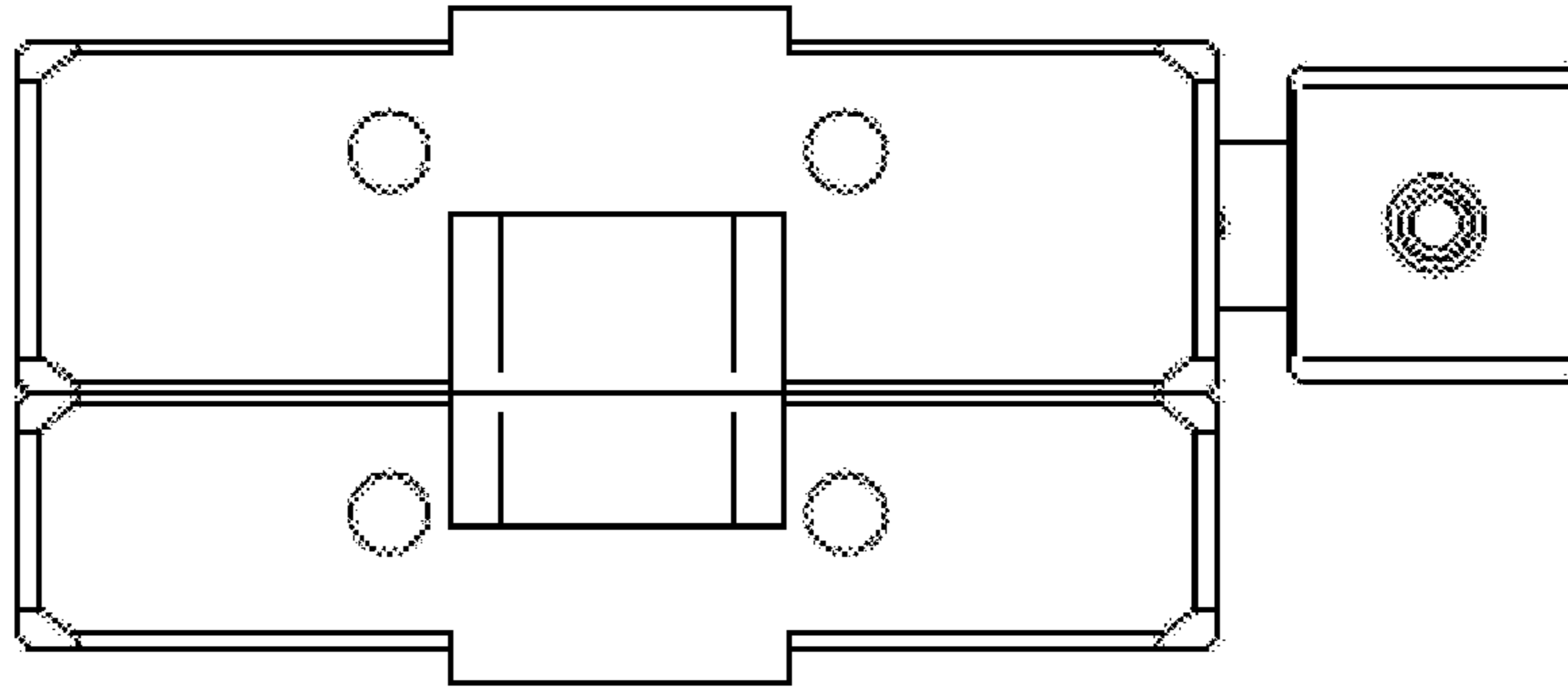


FIG. 5

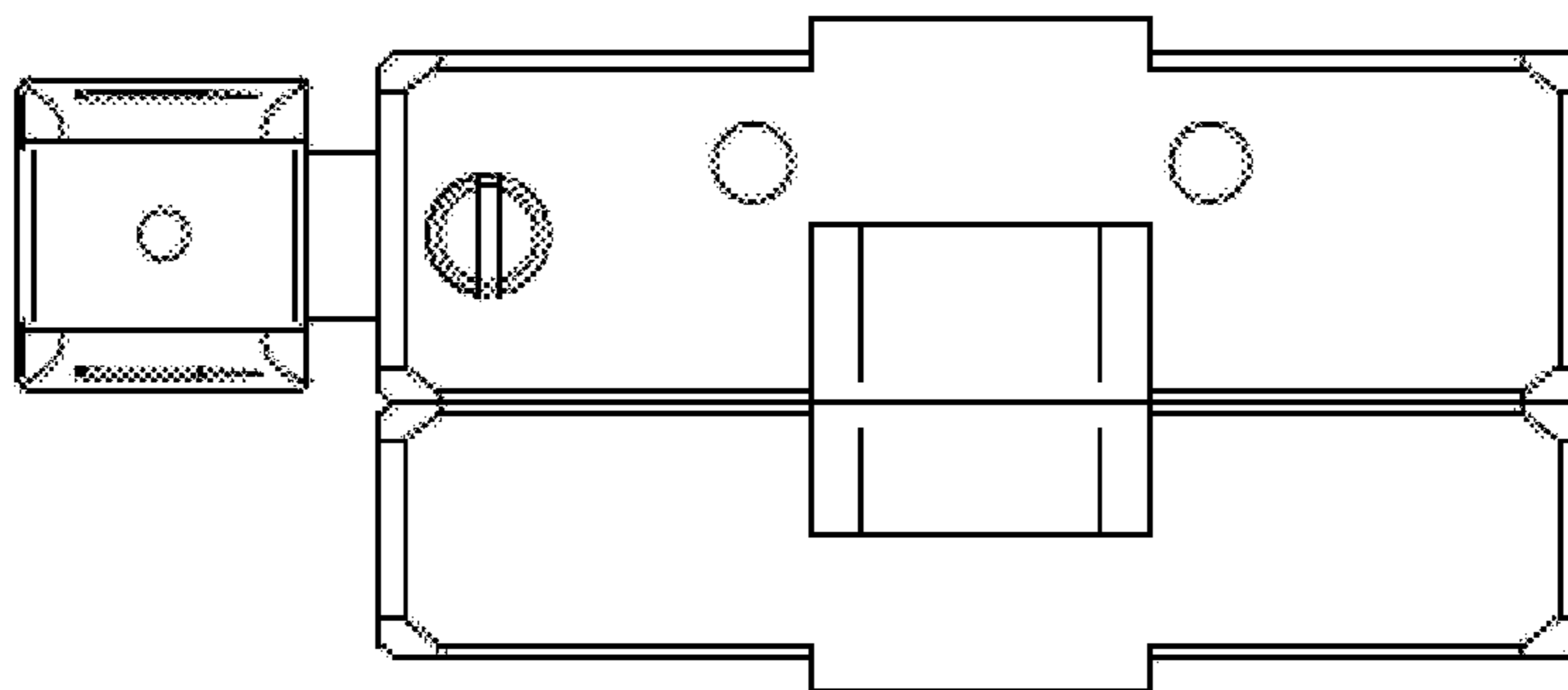


FIG. 6

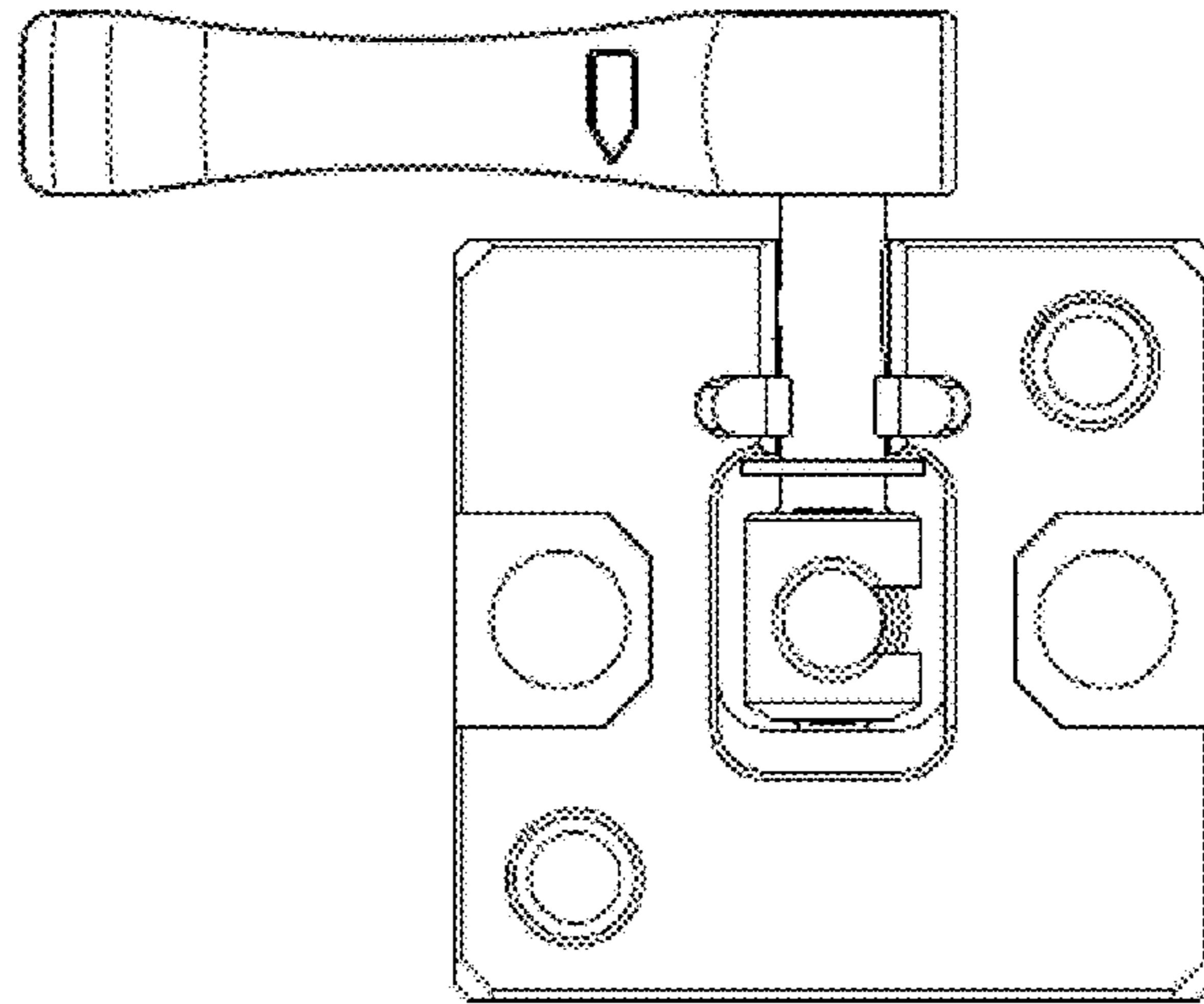


FIG. 7

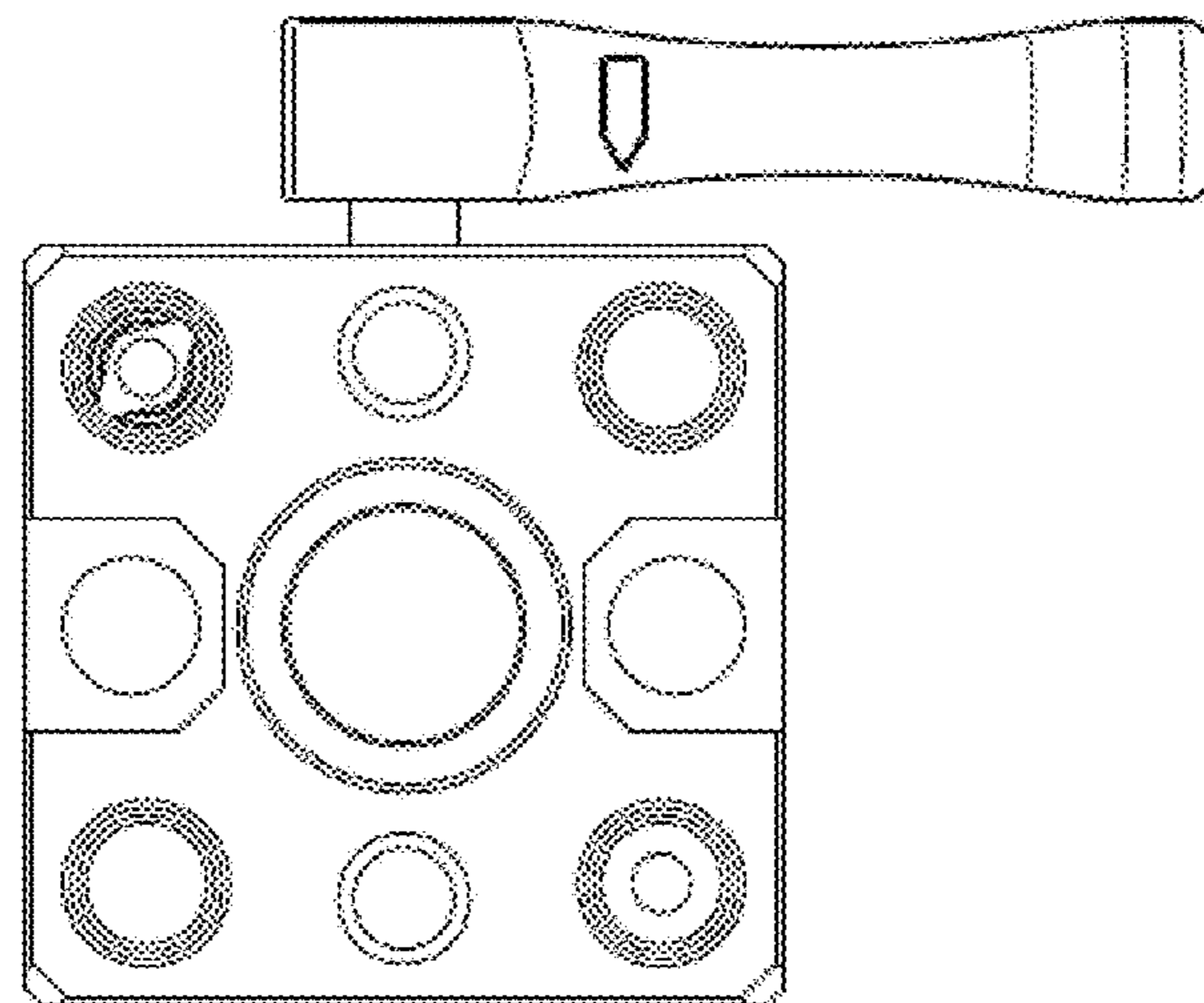


FIG. 8