



US00D790948S

(12) **United States Design Patent** (10) **Patent No.:** **US D790,948 S**
Lai (45) **Date of Patent:** **** Jul. 4, 2017**

(54) **PAIR OF ELECTRONIC DOOR LOCKS**

8,079,240 B2 * 12/2011 Brown E05B 47/00
340/5.64

(71) Applicant: **SHENZHEN CHANGEN INDUSTRY CO., LTD.**, Shenzhen (CN)

8,353,189 B2 * 1/2013 Bogdanov E05B 47/0692
70/278.3

(72) Inventor: **Zhehao Lai**, Shenzhen (CN)

D752,946 S * 4/2016 Shen D8/330

(**) Term: **15 Years**

* cited by examiner

(21) Appl. No.: **29/560,466**

Primary Examiner — Prabahakar Deshmukh

(22) Filed: **Apr. 7, 2016**

(74) *Attorney, Agent, or Firm* — Prakash Nama Global IP Services, PLLC

(30) **Foreign Application Priority Data**

(57) **CLAIM**

The ornamental design for a pair of electronic door locks, as shown and described.

Jan. 20, 2016 (CN) 2016 3 0019900

DESCRIPTION

(51) **LOC (10) Cl.** **08-07**

(52) **U.S. Cl.**
USPC **D8/331; D8/330**

(58) **Field of Classification Search**
USPC D8/330, 331, 334, 300, 301, 350; 70/14,
70/20-22, 57, 57.1, 284-286, 314,
70/DIG. 44, 266, 277, 271
CPC E05B 9/00; E05B 9/02; E05B 2009/006;
E05B 49/00
See application file for complete search history.

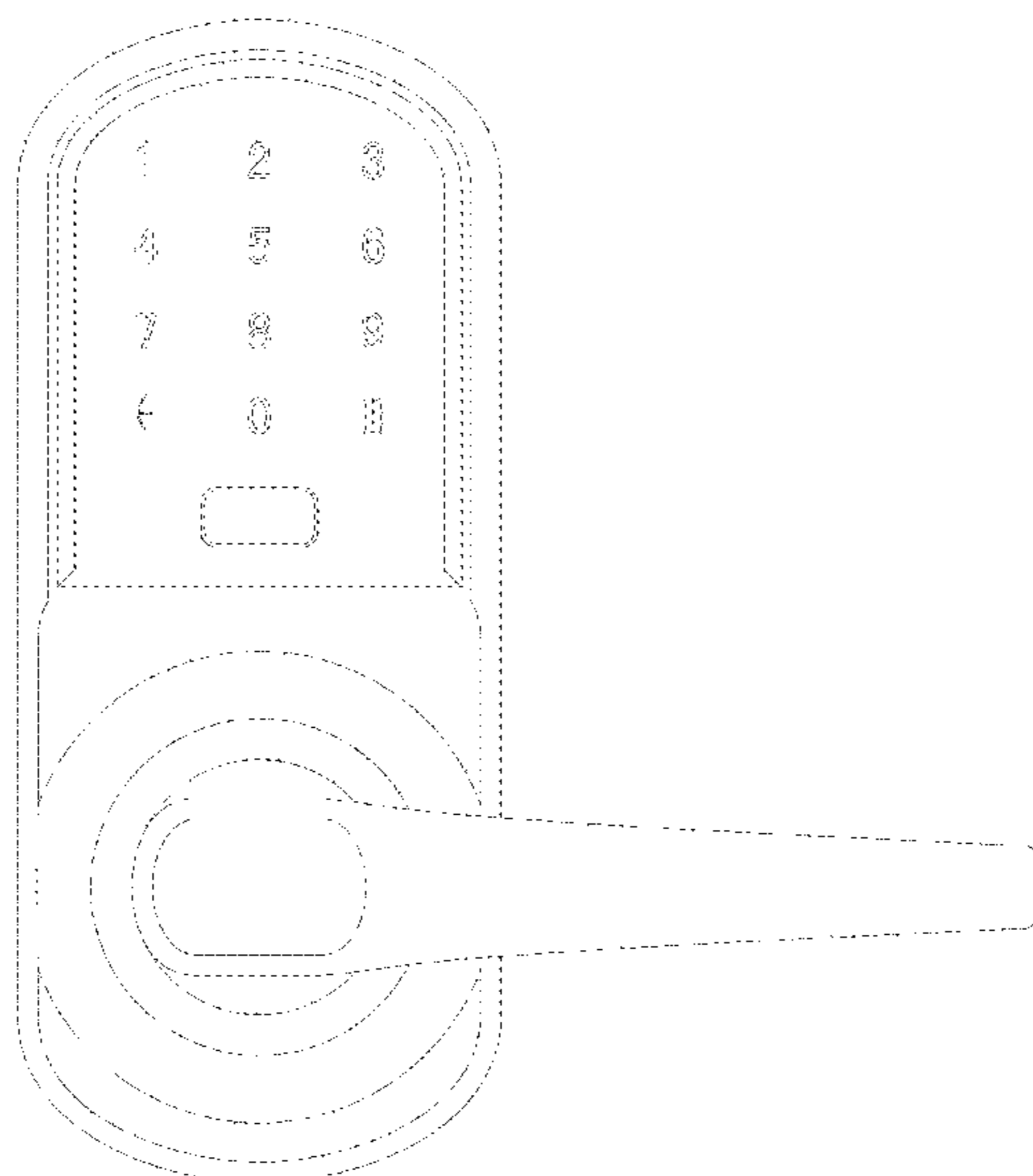
FIG. 1 is a front elevational view of a first electronic lock of the pair of electronic door locks of my new design;
FIG. 2 is a rear elevational view thereof;
FIG. 3 is a left side view thereof;
FIG. 4 is a right side view thereof;
FIG. 5 is a top plan view thereof;
FIG. 6 is a bottom plan view thereof;
FIG. 7 is front perspective view thereof;
FIG. 8 is a rear perspective view thereof;
FIG. 9 is a front elevational view of a second electronic lock of the pair of electronic door locks of my new design;
FIG. 10 is a rear elevational view thereof;
FIG. 11 is a left side view thereof;
FIG. 12 is a right side view thereof;
FIG. 13 is a top plan view thereof;
FIG. 14 is a bottom plan view thereof;
FIG. 15 is a front perspective view thereof;
FIG. 16 is a rear perspective view thereof; and,
FIG. 17 is a perspective view of the first and the second electronic locks of the pair of electronic door locks shown in a reduced scale after installation on a door.
The broken lines shown in FIG. 17 indicating the door form no part of the claimed design.

(56) **References Cited**

U.S. PATENT DOCUMENTS

- D365,976 S * 1/1996 Chiu D8/301
6,145,353 A * 11/2000 Doucet E05B 47/0692
70/149
D501,388 S * 2/2005 Carpintero D8/301
D502,859 S * 3/2005 Peng D8/331
7,091,429 B2 * 8/2006 Case E05B 15/02
200/314
D545,172 S * 6/2007 Kaiser D8/331
D581,246 S * 11/2008 Conway D8/330
7,984,631 B2 * 7/2011 Case E05B 15/02
70/278.1
8,011,217 B2 * 9/2011 Marschalek E05B 47/0011
70/149

1 Claim, 15 Drawing Sheets



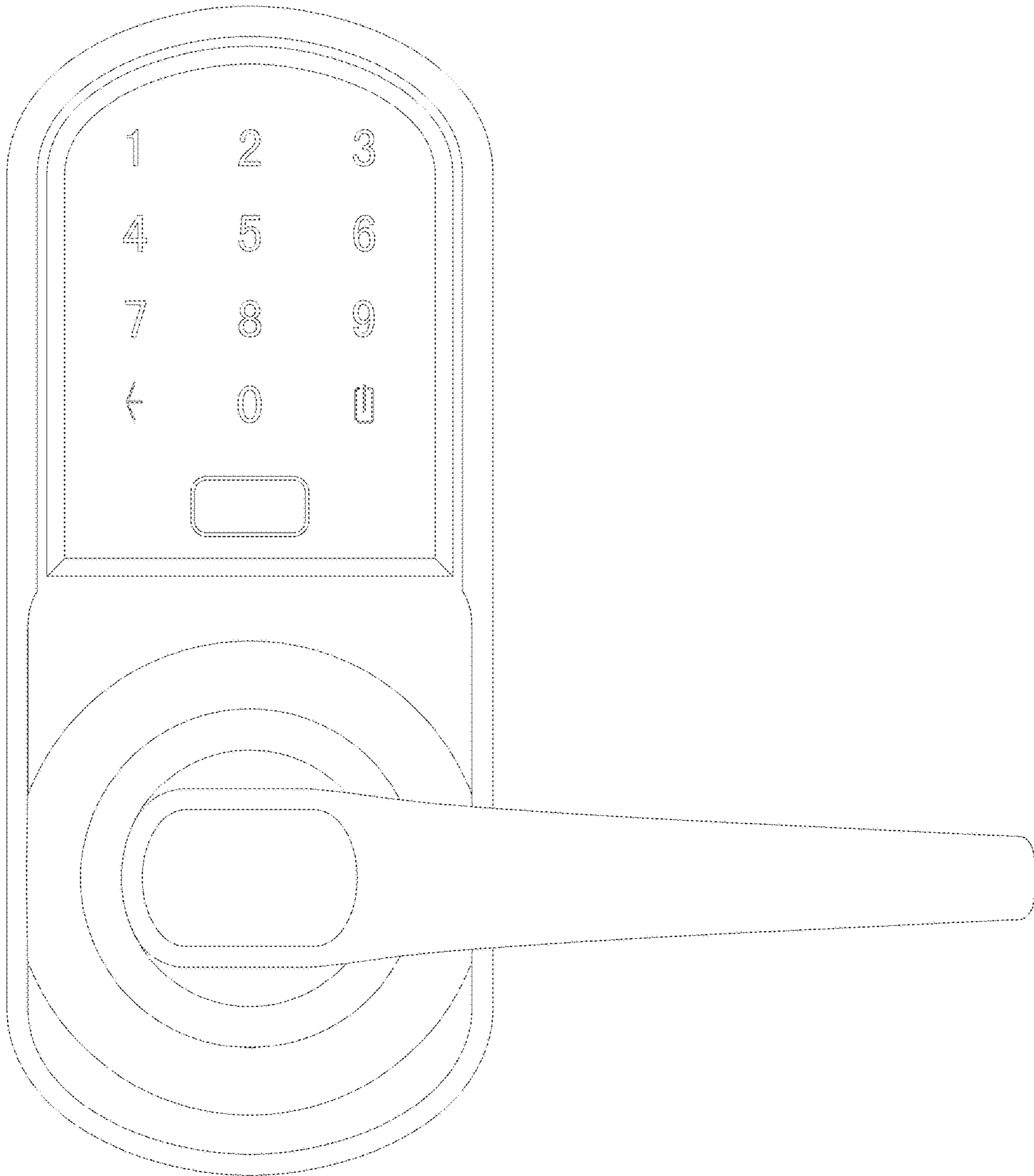


FIG. 1

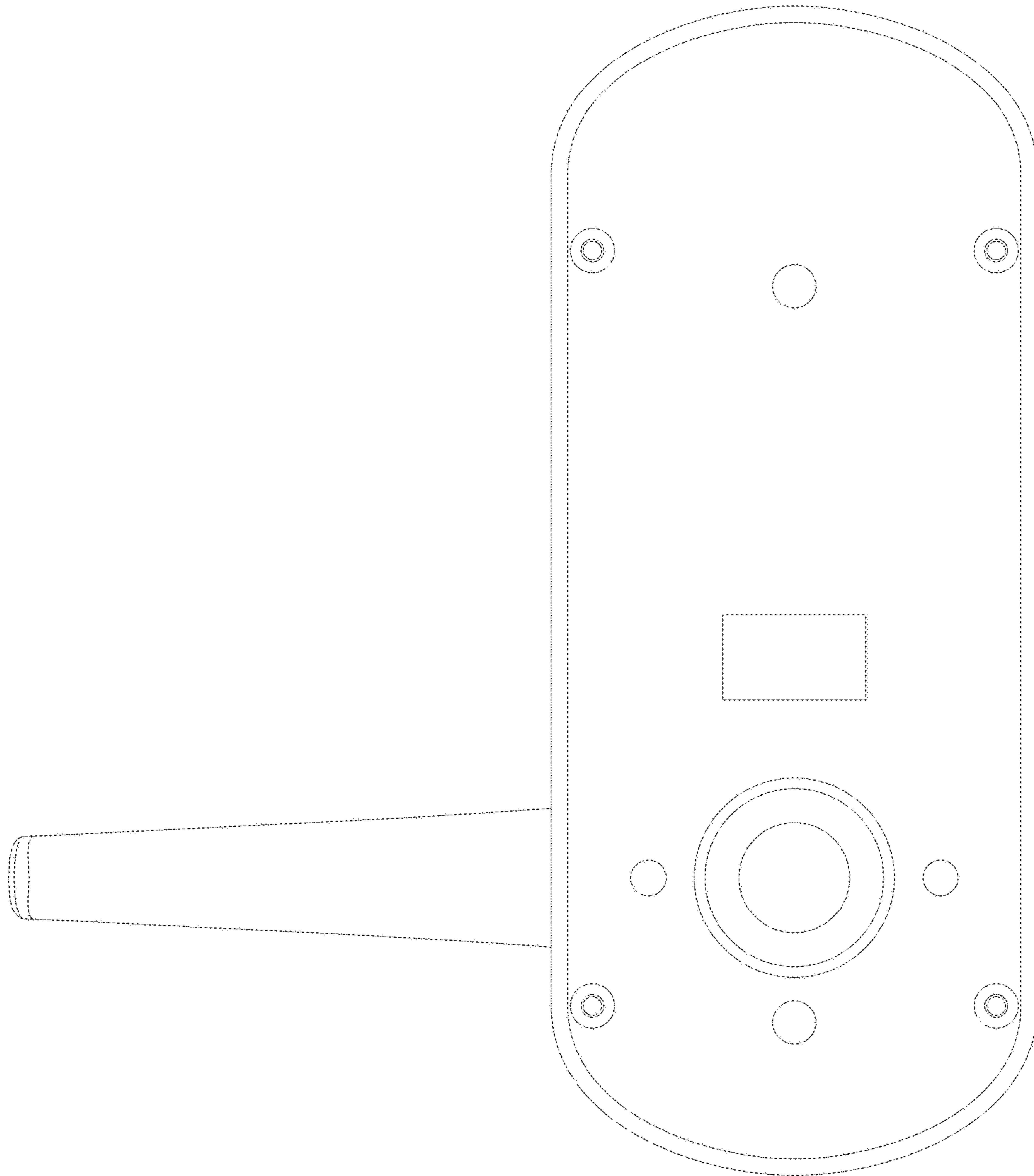


FIG. 2

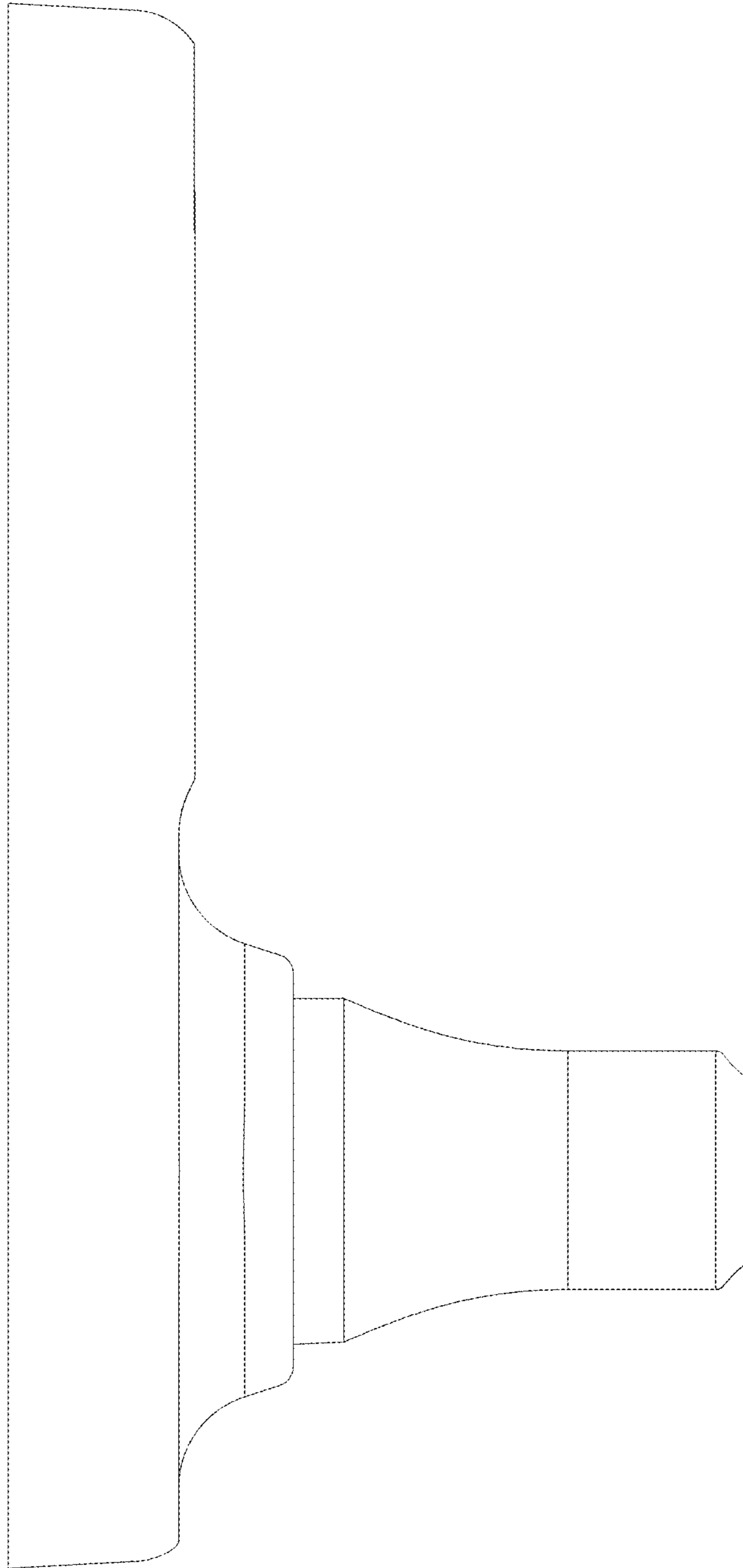


FIG. 3

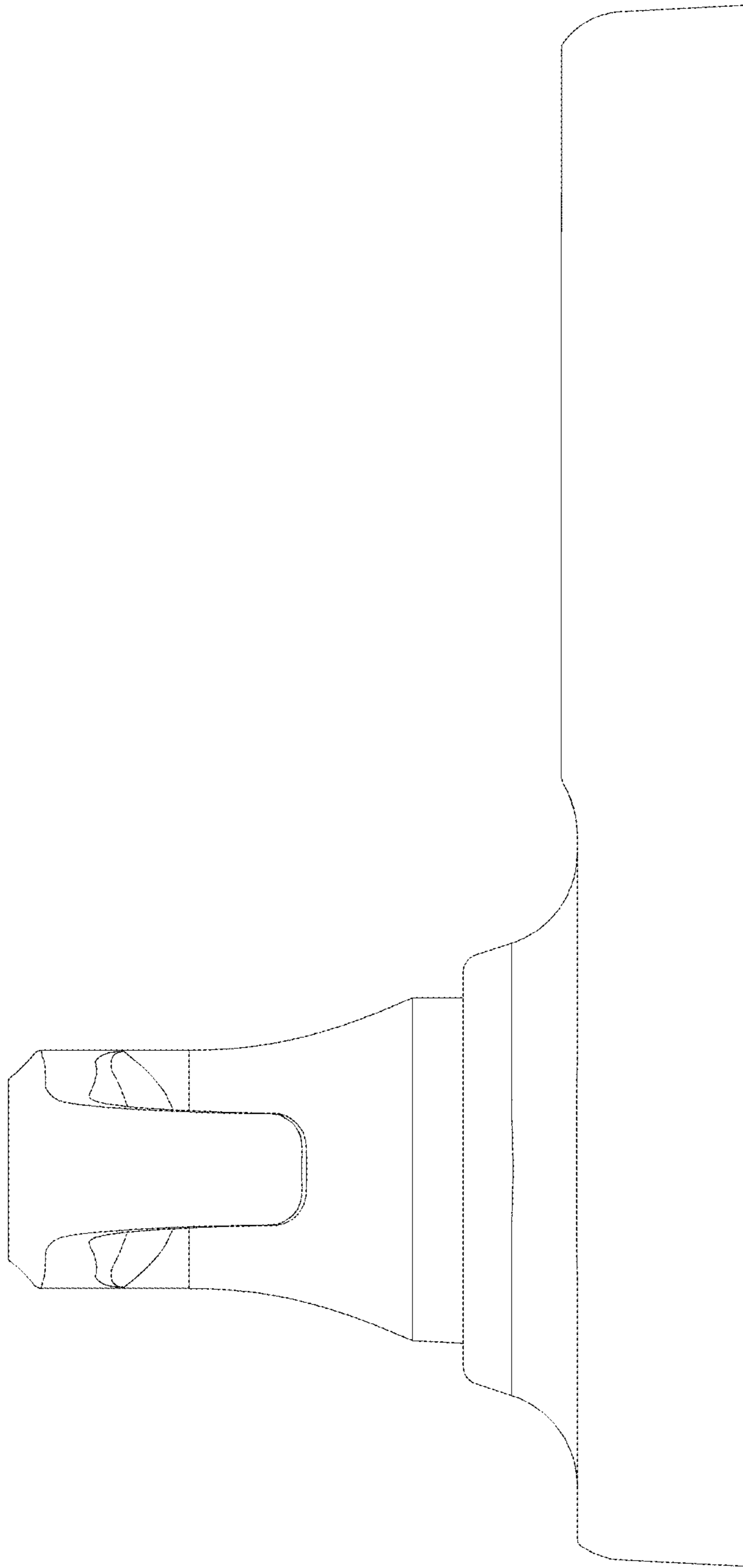


FIG. 4

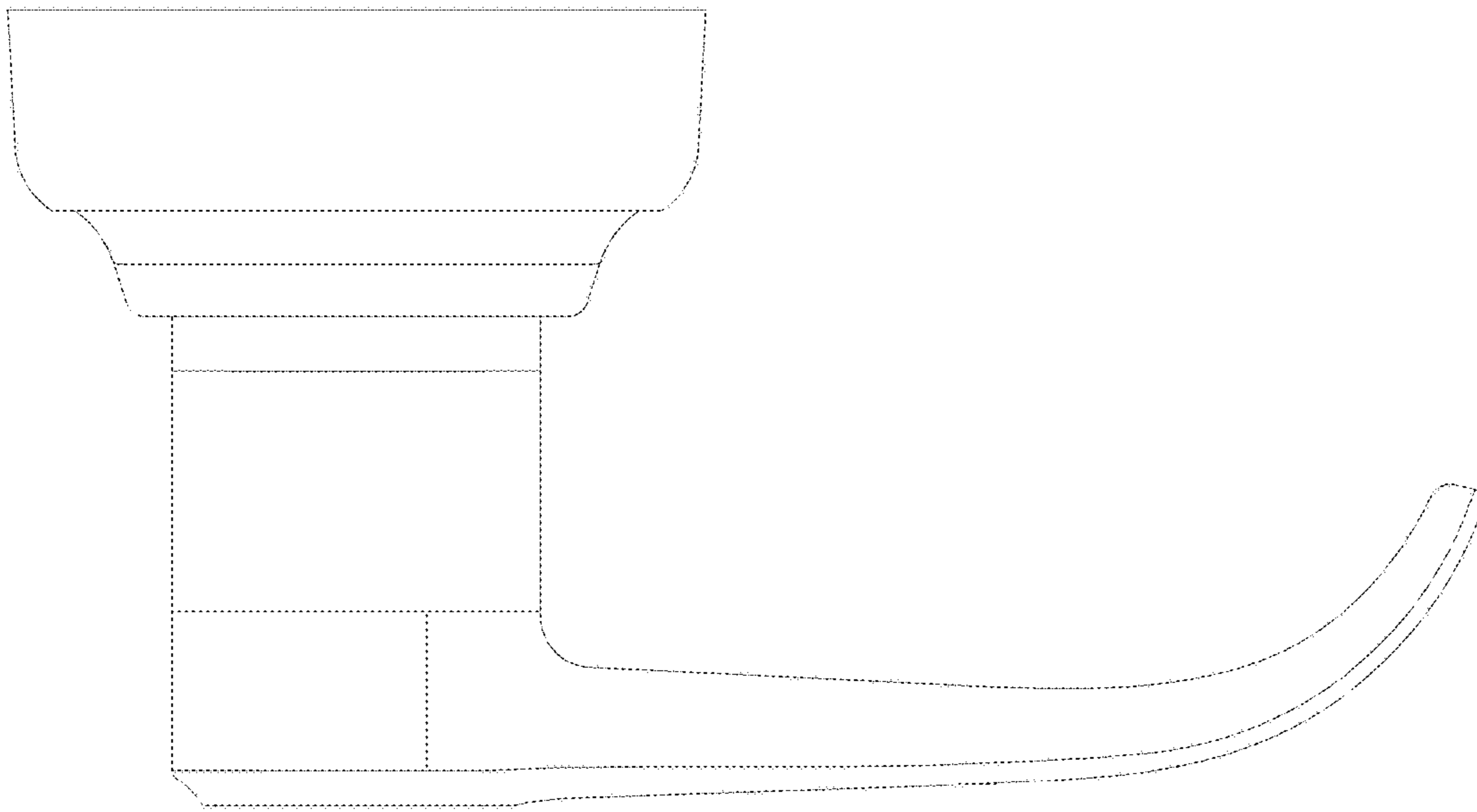


FIG. 5

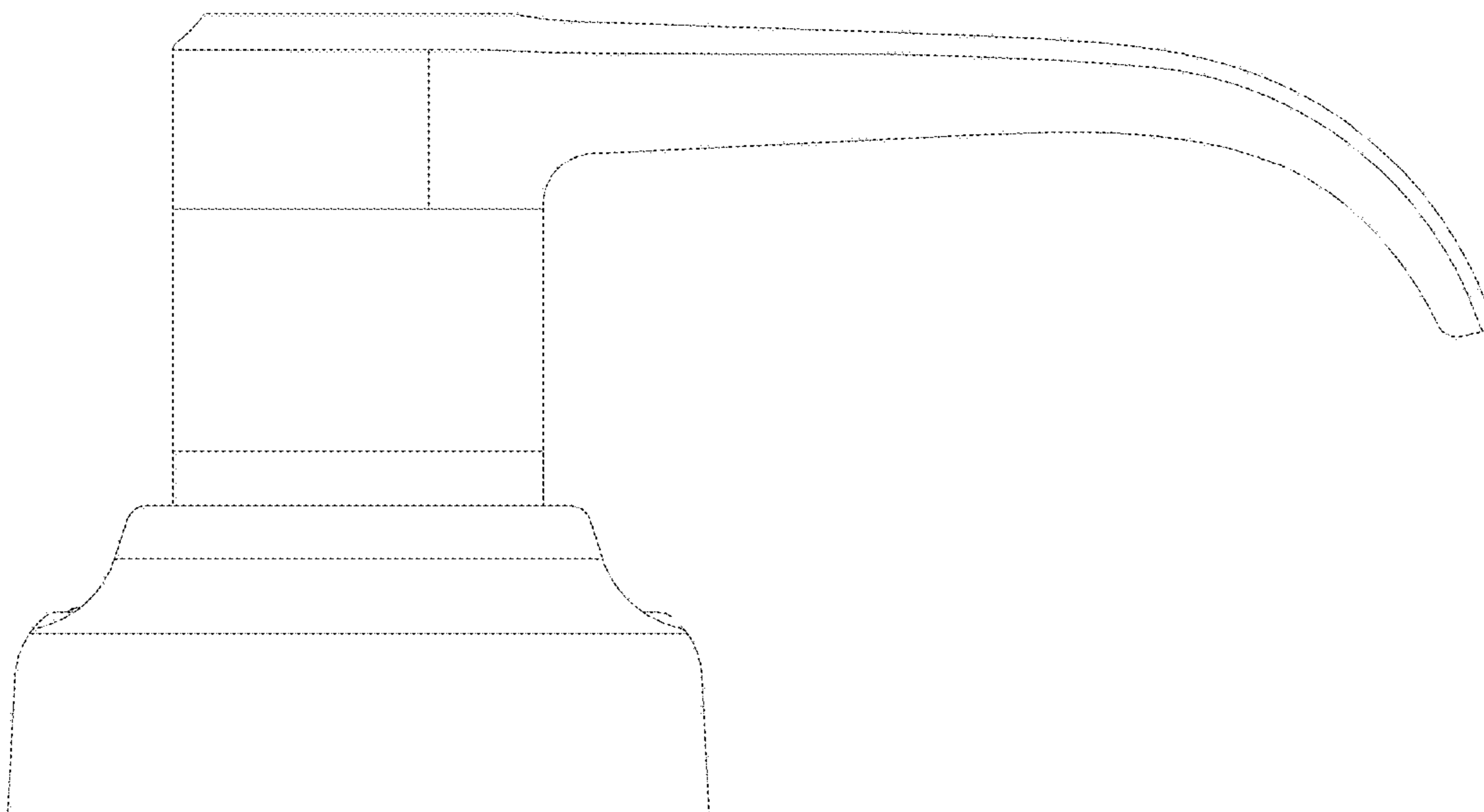


FIG. 6

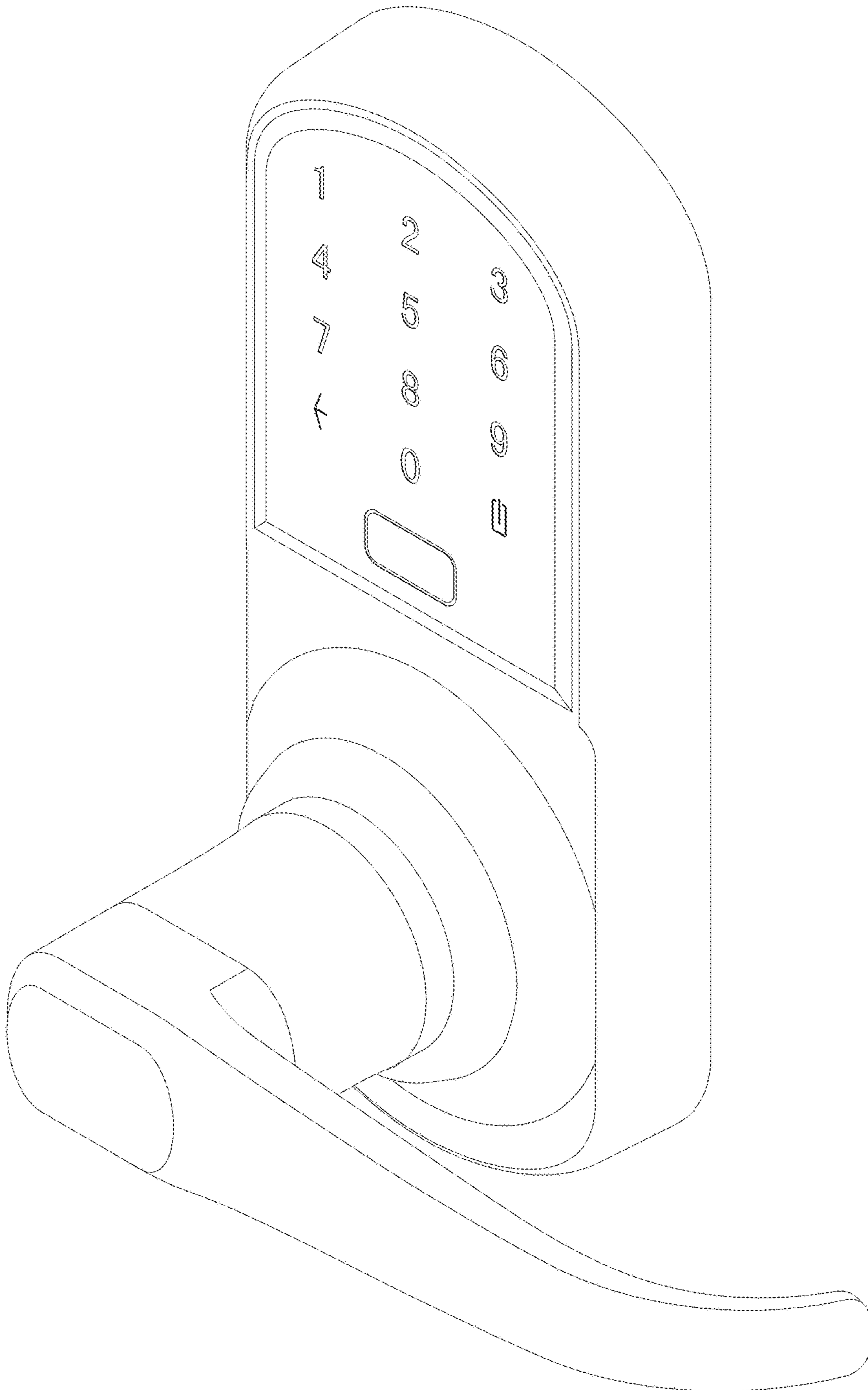


FIG. 7

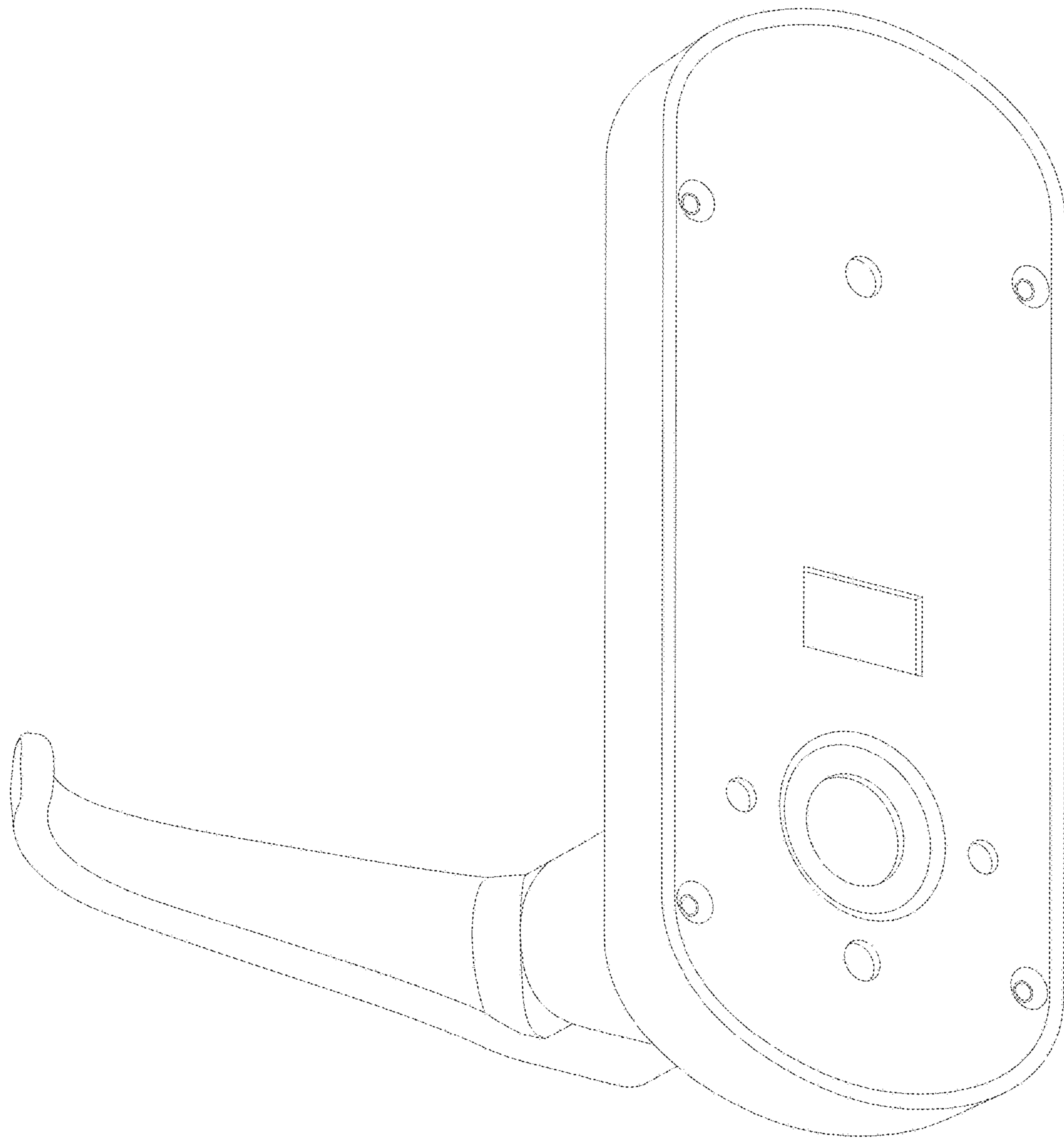


FIG. 8

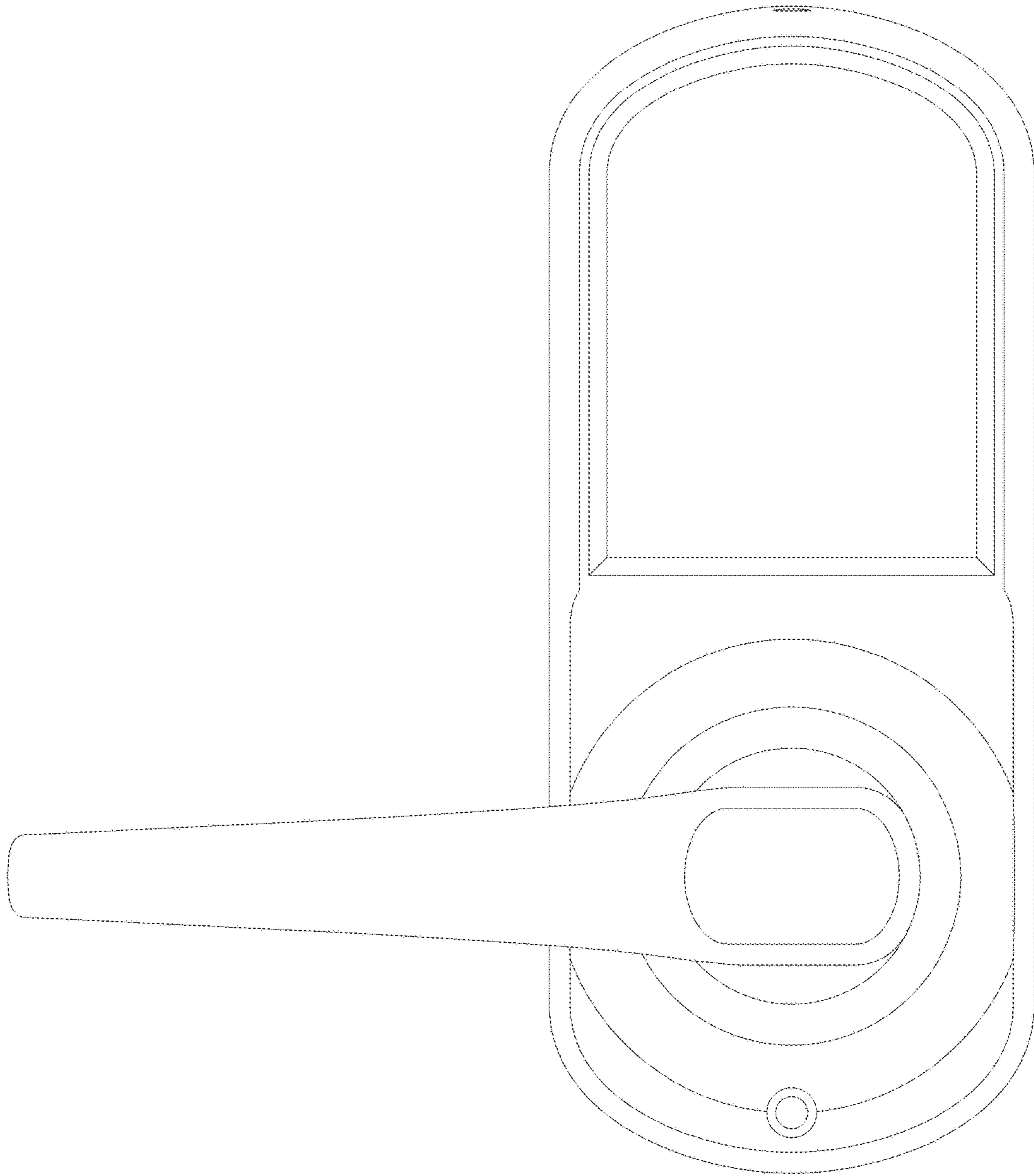


FIG. 9

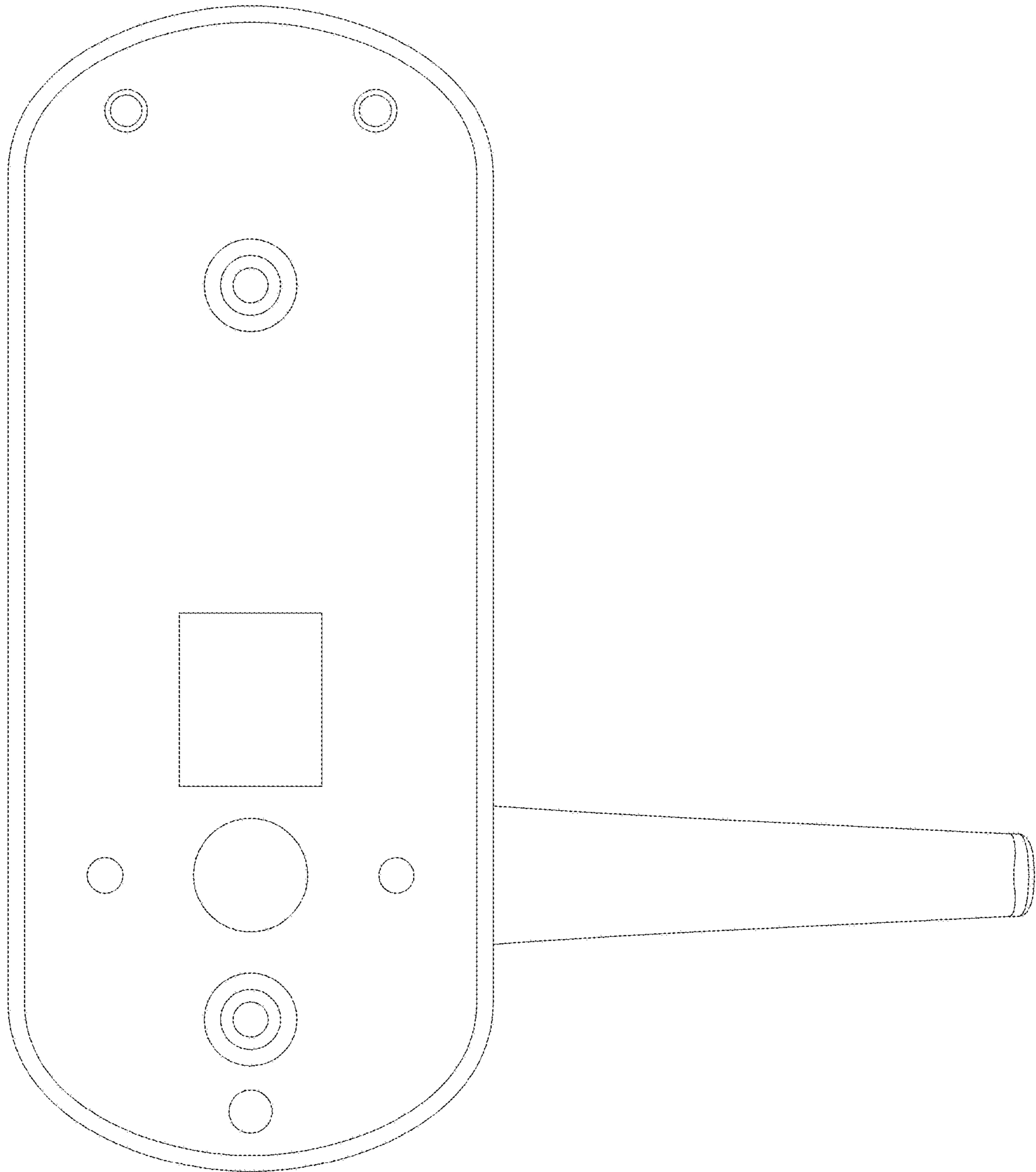


FIG. 10

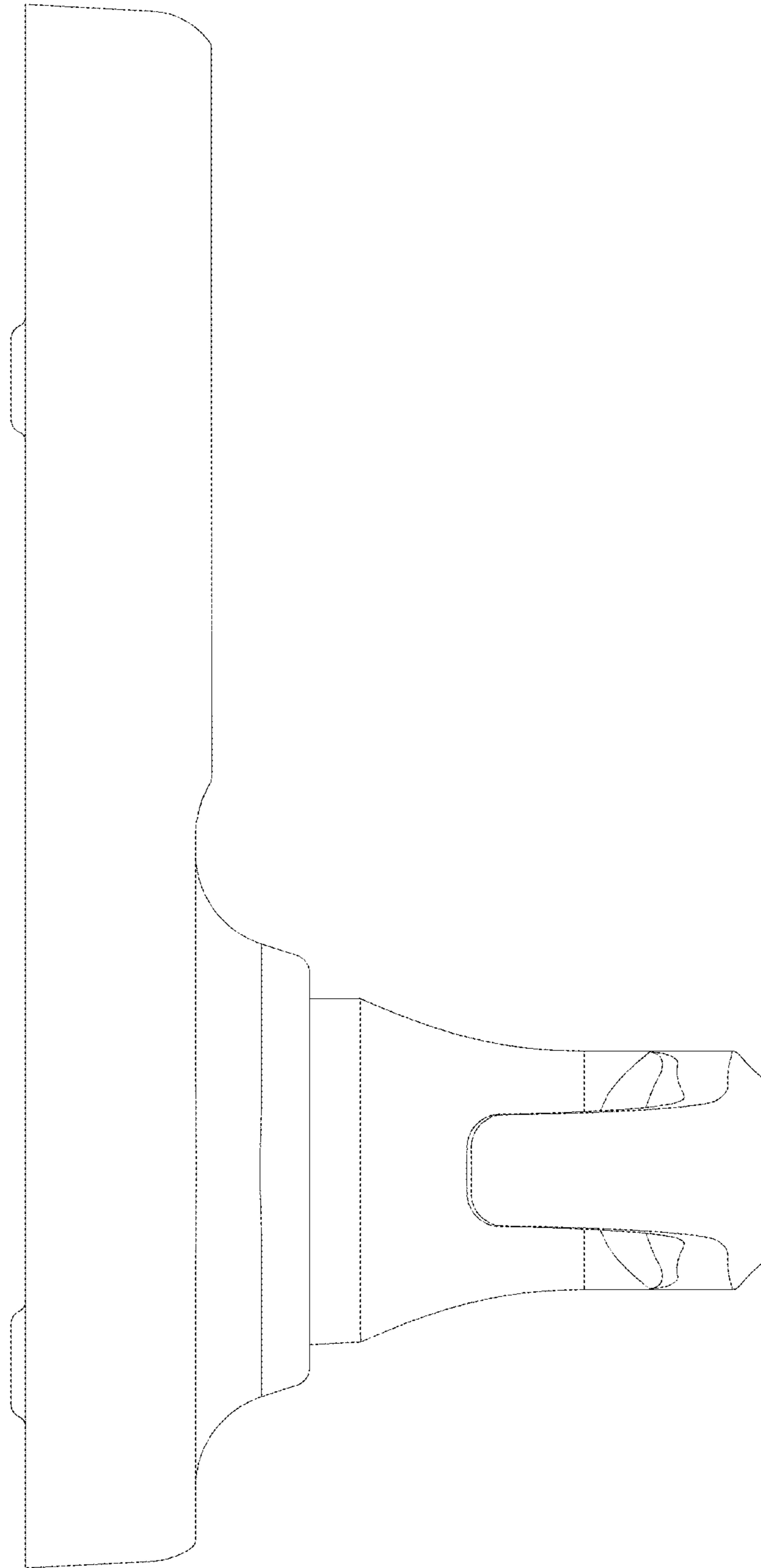


FIG. 11

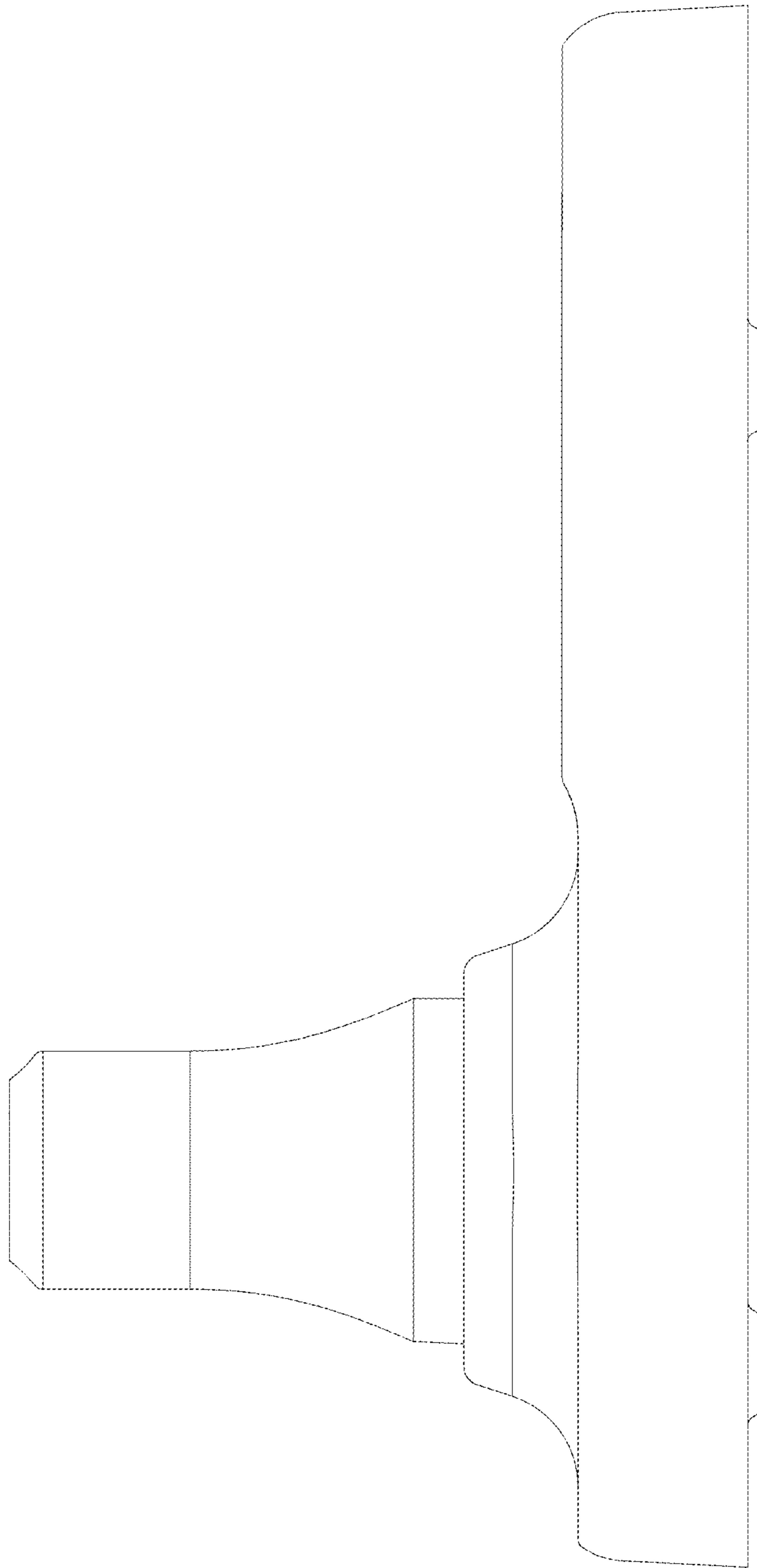


FIG. 12

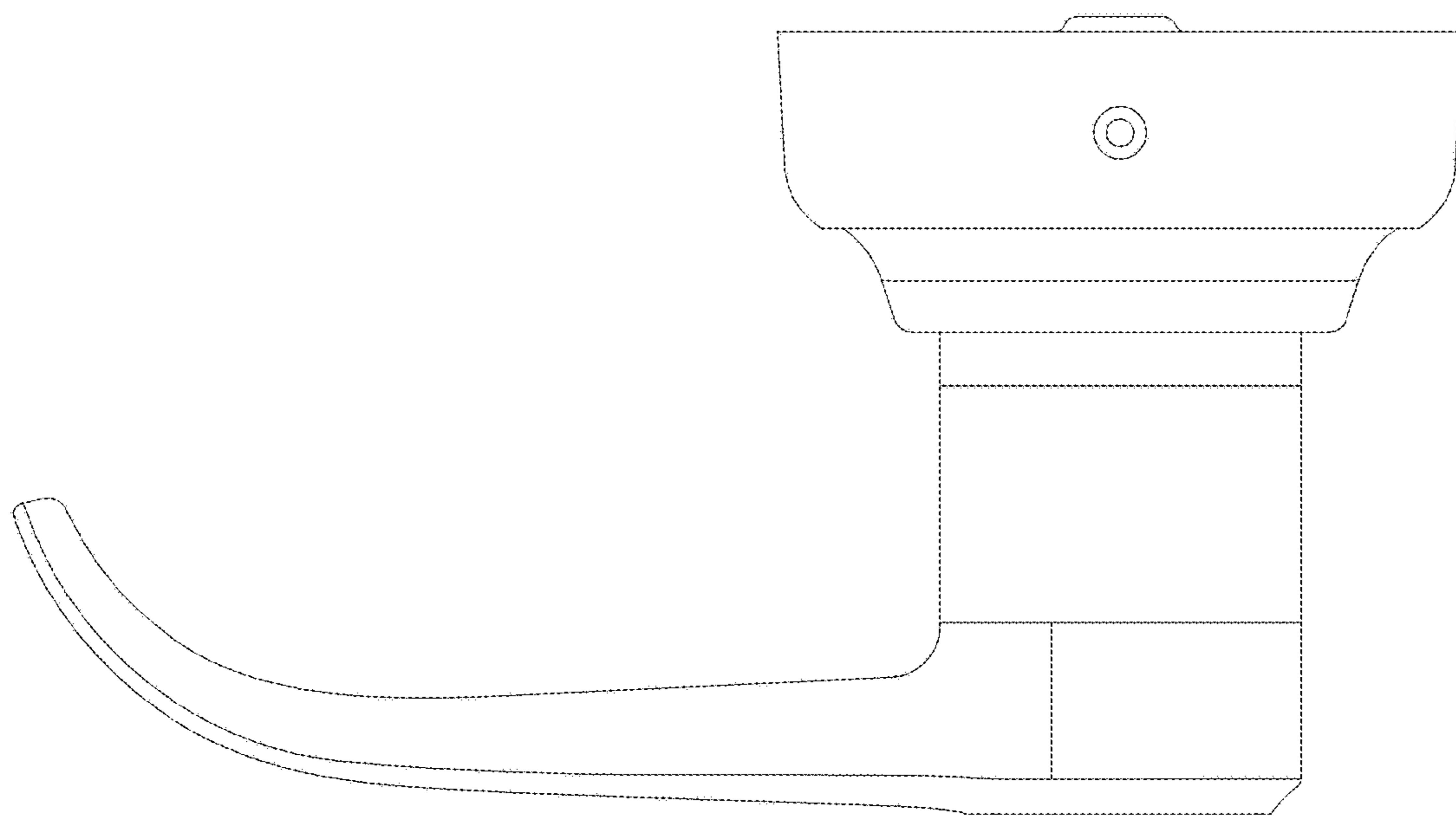


FIG. 13

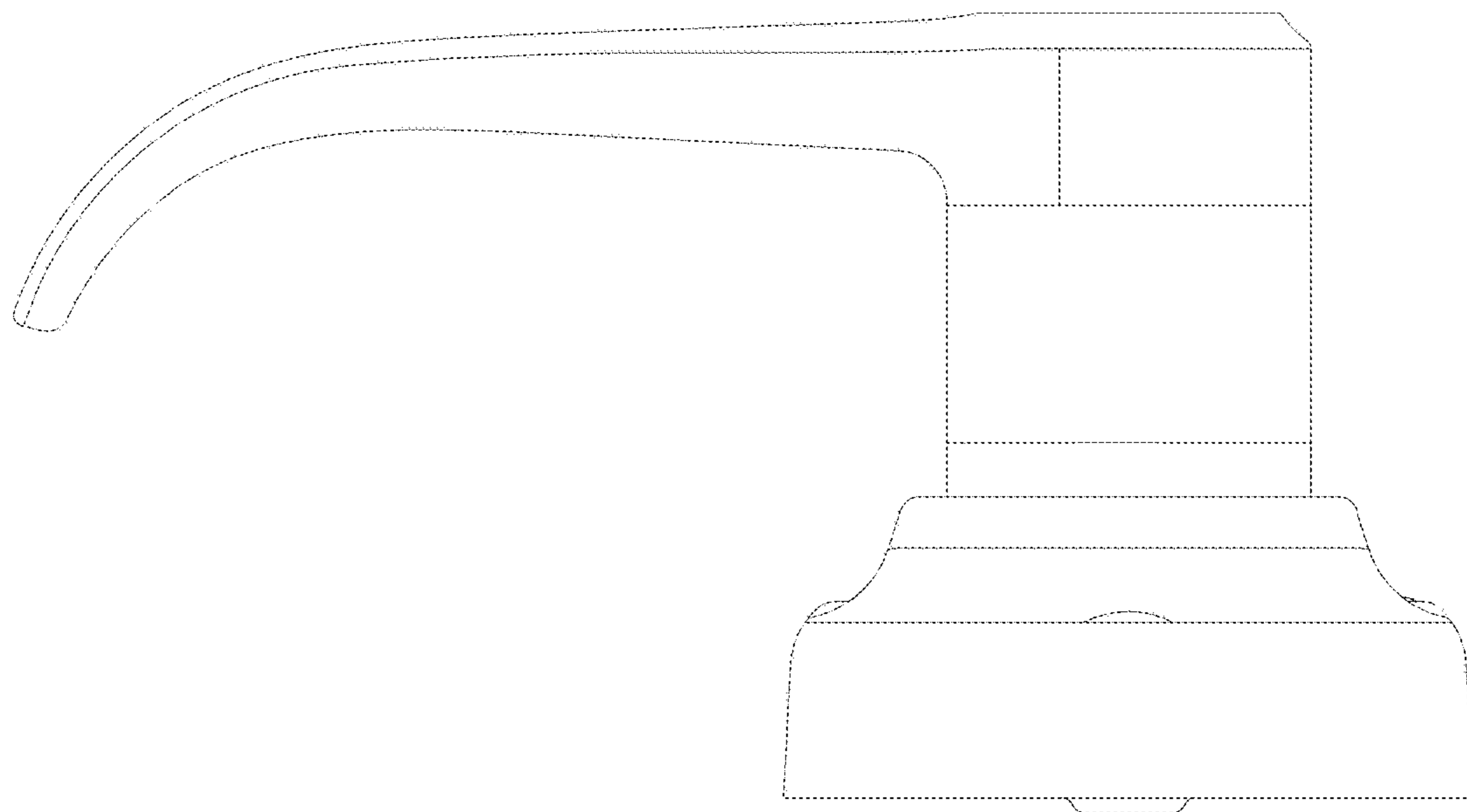


FIG. 14

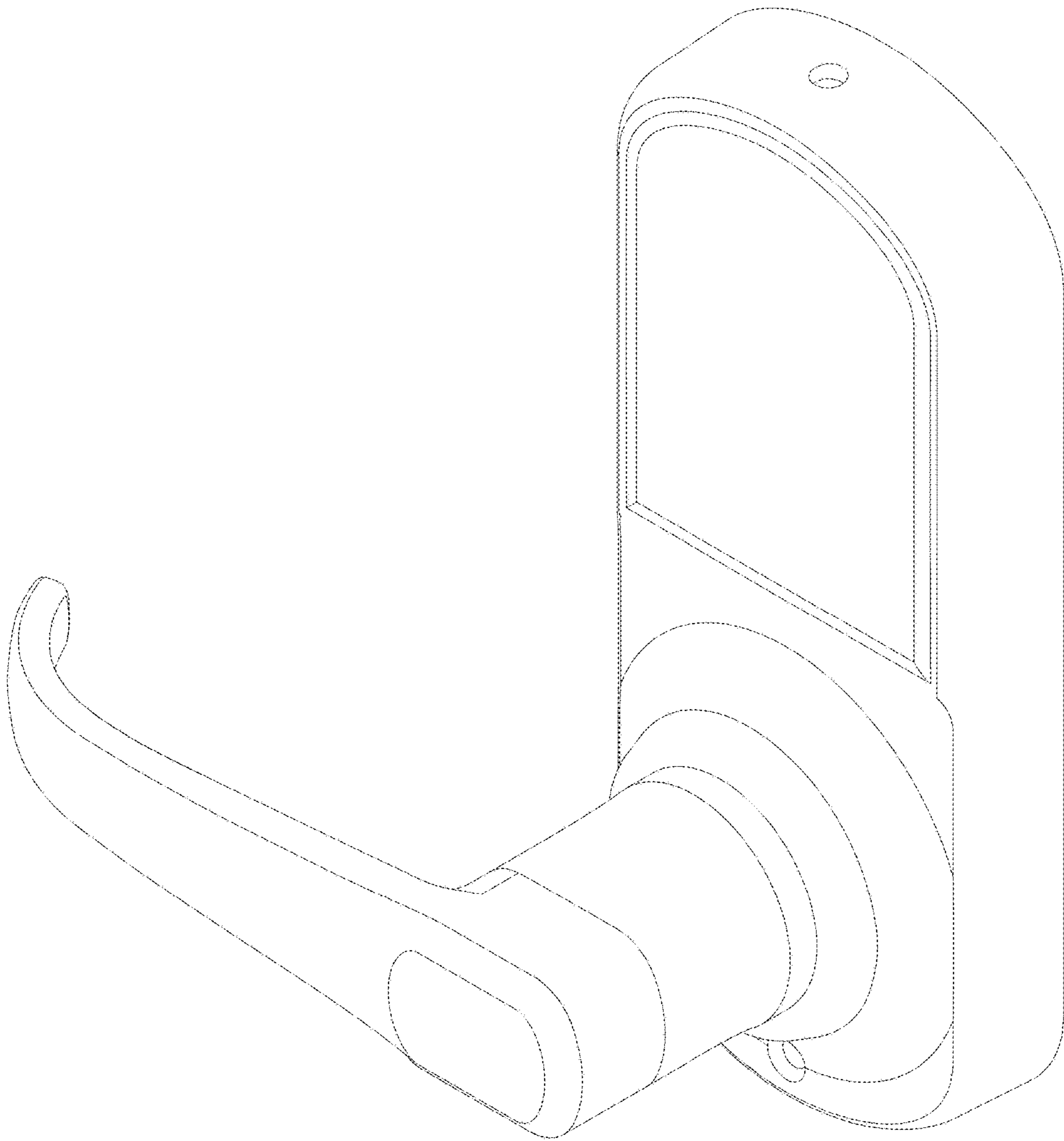


FIG. 15

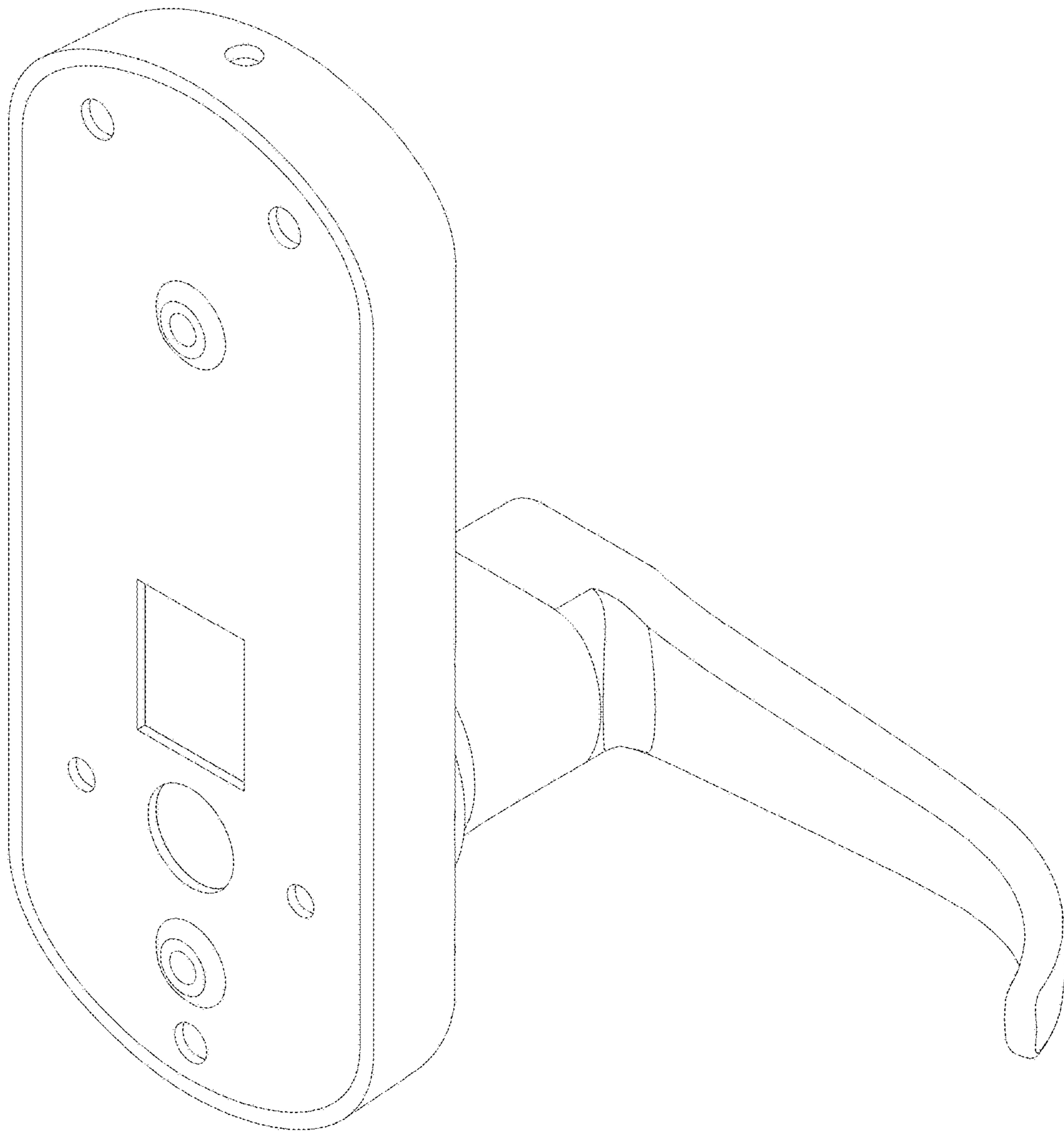


FIG. 16

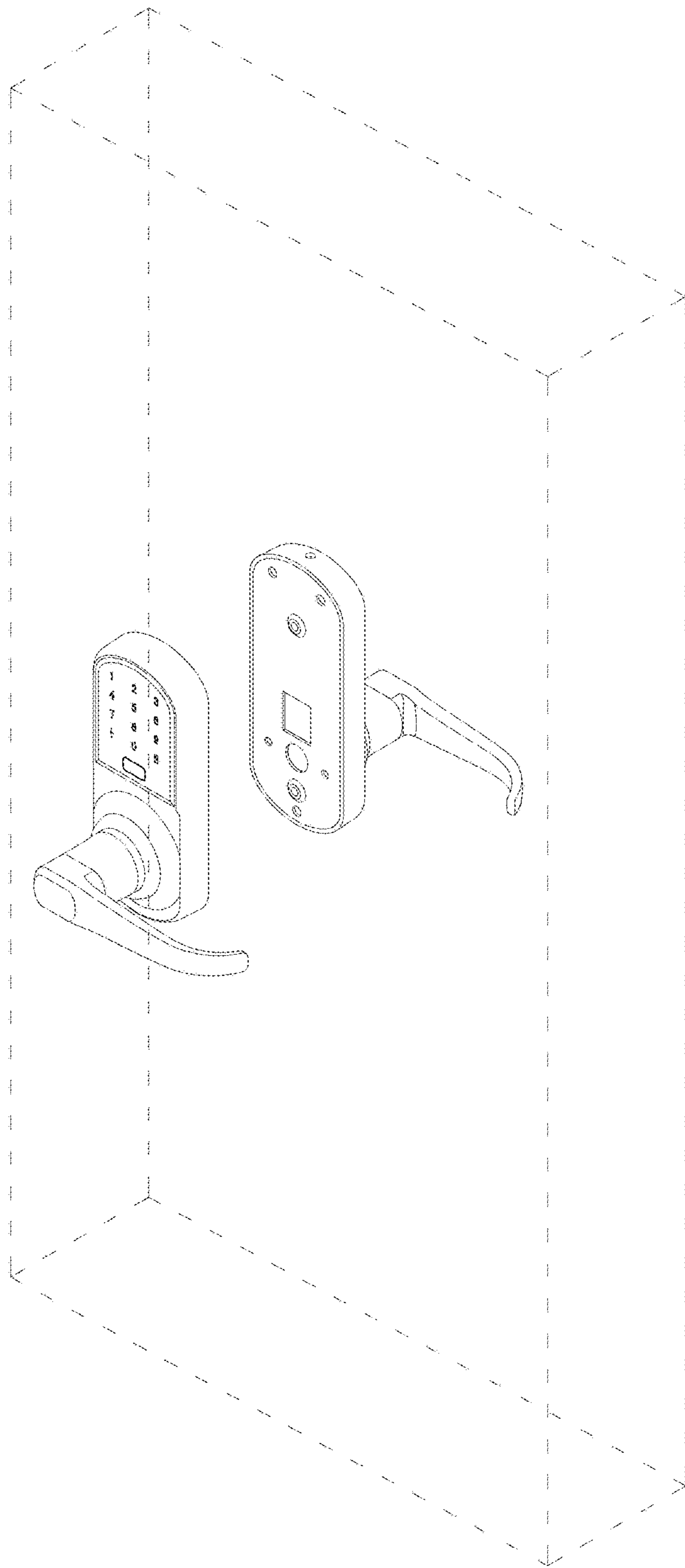


FIG. 17