



US00D790944S

(12) **United States Design Patent**
Wise

(10) **Patent No.:** **US D790,944 S**
(45) **Date of Patent:** **** Jul. 4, 2017**

- (54) **PRY BAR**
- (71) Applicant: **Robert Wise**, Penngrove, CA (US)
- (72) Inventor: **Robert Wise**, Penngrove, CA (US)
- (**) Term: **15 Years**
- (21) Appl. No.: **29/558,110**
- (22) Filed: **Mar. 15, 2016**
- (51) **LOC (10) Cl.** **08-05**
- (52) **U.S. Cl.**
USPC **D8/89**
- (58) **Field of Classification Search**
USPC D8/14, 16, 45, 88, 89, 381, 402; D32/46,
D32/47, 49
CPC B25C 11/00; B66F 15/00; E04D 15/00;
E04G 23/086
See application file for complete search history.

(56) **References Cited**

U.S. PATENT DOCUMENTS

- D54,308 S * 12/1919 Dencker D8/89
- 1,486,820 A * 3/1924 Wilder B25C 11/00
254/25
- D197,205 S * 12/1963 Estwing D8/89
- 3,134,574 A * 5/1964 Reuterfors E04G 23/08
254/131
- D202,687 S * 10/1965 Estwing D8/89
- D220,900 S * 6/1971 Ziaylek, Jr. D8/89
- D282,344 S * 1/1986 Wilcox D8/14
- D296,656 S * 7/1988 Johnson, Sr. D8/16
- D341,070 S * 11/1993 Warren D8/11
- D344,666 S * 3/1994 Breitrack D8/89
- D363,150 S * 10/1995 Boyer D32/35
- D386,057 S * 11/1997 Hreha D8/89
- 5,695,172 A * 12/1997 Hreha B66F 15/00
254/18
- 5,957,429 A * 9/1999 Khachatoorian B25C 11/00
254/21

- D444,690 S * 7/2001 Bond B66F 15/00
D8/16
- 6,257,553 B1 * 7/2001 Khachatoorian B66F 15/00
254/21
- 6,715,734 B1 * 4/2004 Wise B25C 11/00
254/25
- 6,752,380 B1 * 6/2004 Taylor B25C 11/00
254/21
- D493,086 S * 7/2004 Taylor D8/88
- D506,118 S * 6/2005 Rau D8/89
- D522,848 S * 6/2006 Nawrocki D8/381
- D567,052 S * 4/2008 Vandenberghe D8/47
- 7,900,538 B2 * 3/2011 Phillips A62B 3/005
173/126
- 8,365,332 B2 * 2/2013 Allen B66F 15/00
254/18
- 8,567,760 B2 * 10/2013 Sindt B25C 11/00
254/25
- D756,759 S * 5/2016 Atkins D8/381
- D769,100 S * 10/2016 Allen D8/105

(Continued)

Primary Examiner — Philip S Hyder
Assistant Examiner — Roselyne Cody
(74) *Attorney, Agent, or Firm* — Global Intellectual
Property Agency, LLC; Daniel Boudwin

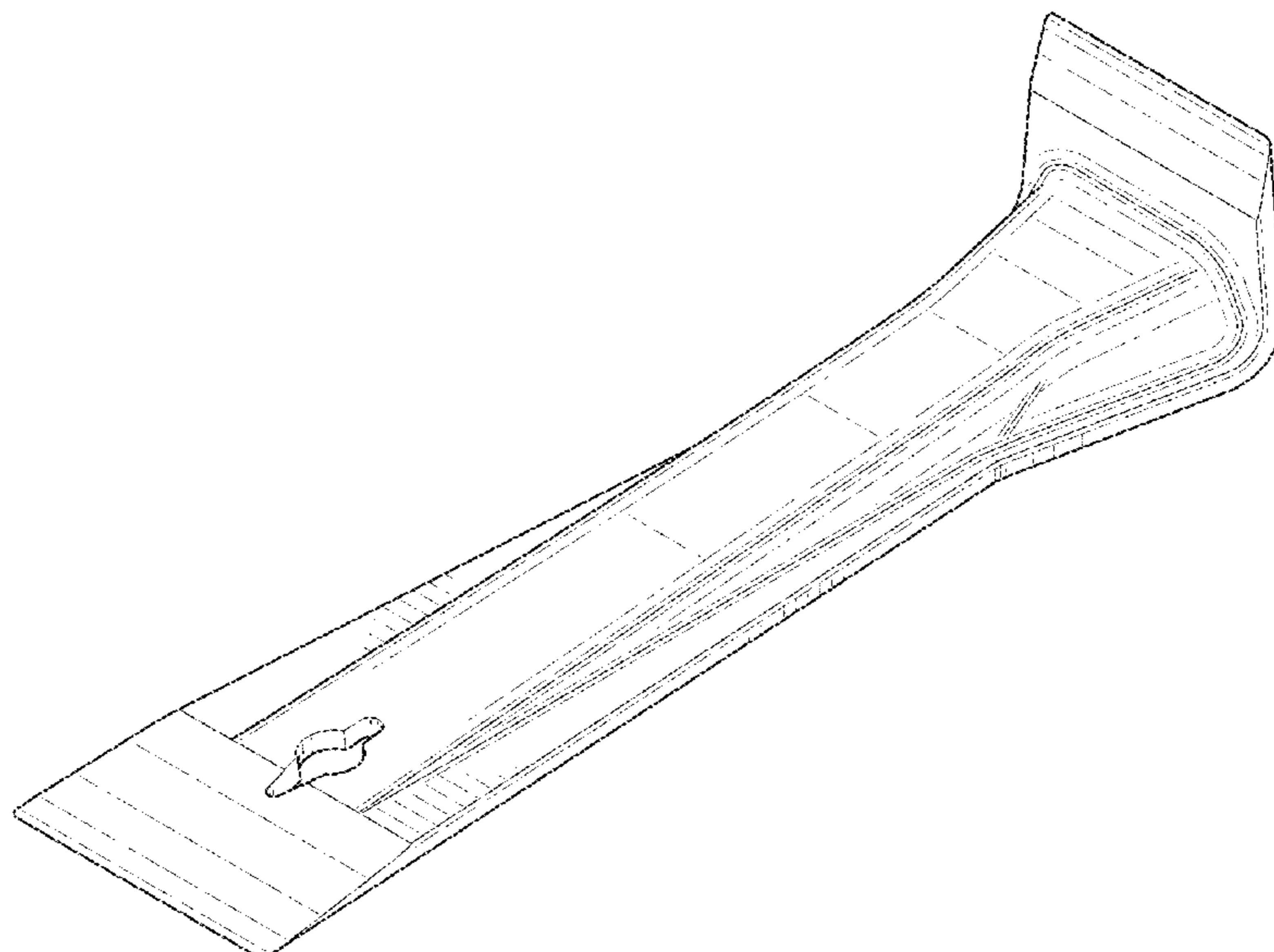
(57) **CLAIM**

The ornamental design for a pry bar, as shown and described.

DESCRIPTION

FIG. 1 shows a top perspective view of the pry bar.
FIG. 2 shows a bottom perspective view thereof.
FIG. 3 shows a top elevation view thereof.
FIG. 4 shows a bottom elevation view thereof.
FIG. 5 shows a right side elevation view thereof.
FIG. 6 shows a left side elevation view thereof.
FIG. 7 shows a front end elevation view thereof; and,
FIG. 8 shows a rear end elevation view thereof.

1 Claim, 5 Drawing Sheets



(56)

References Cited

U.S. PATENT DOCUMENTS

2005/0062026 A1* 3/2005 Holcomb E04D 15/00
254/25

* cited by examiner

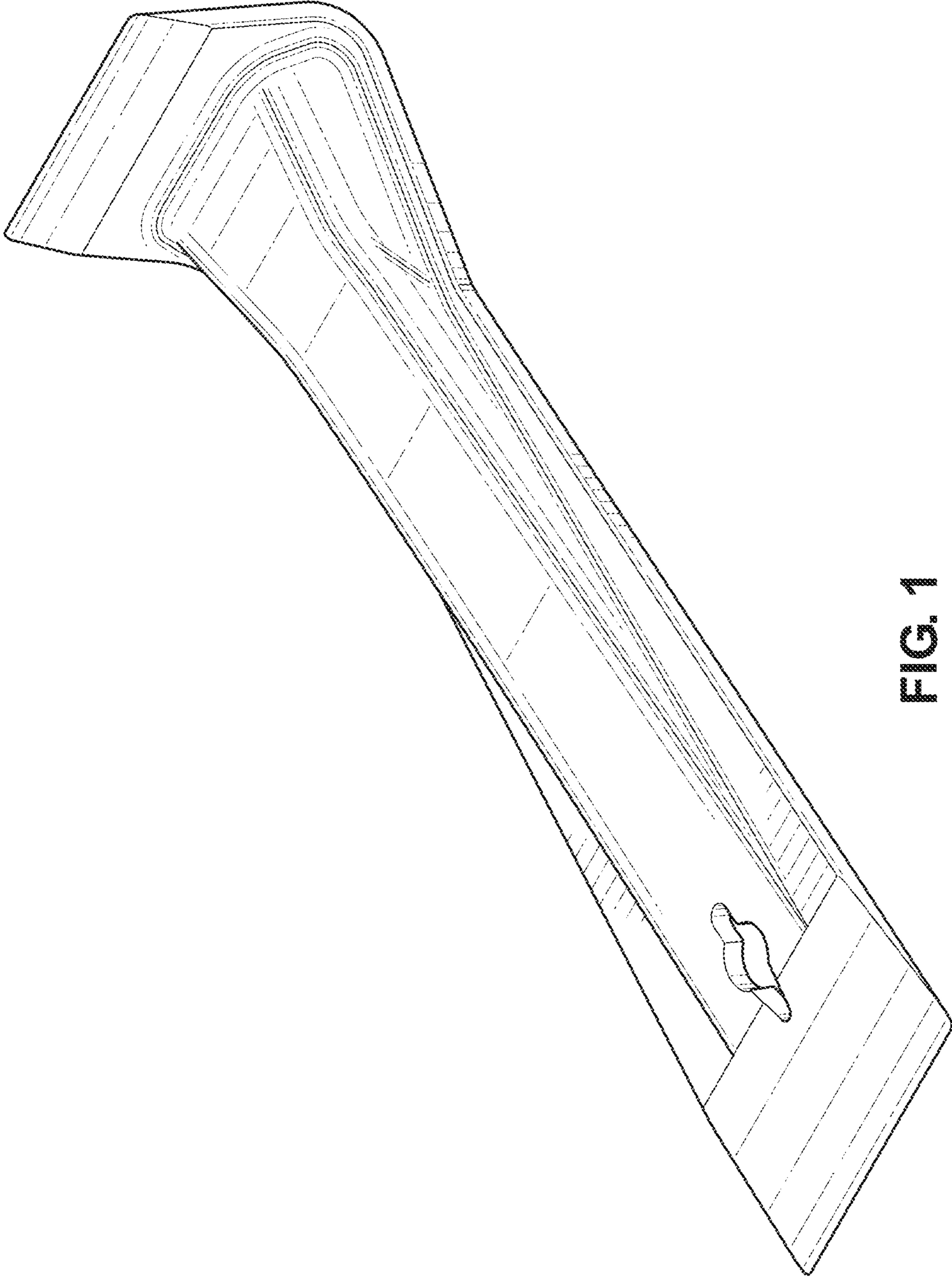


FIG. 1

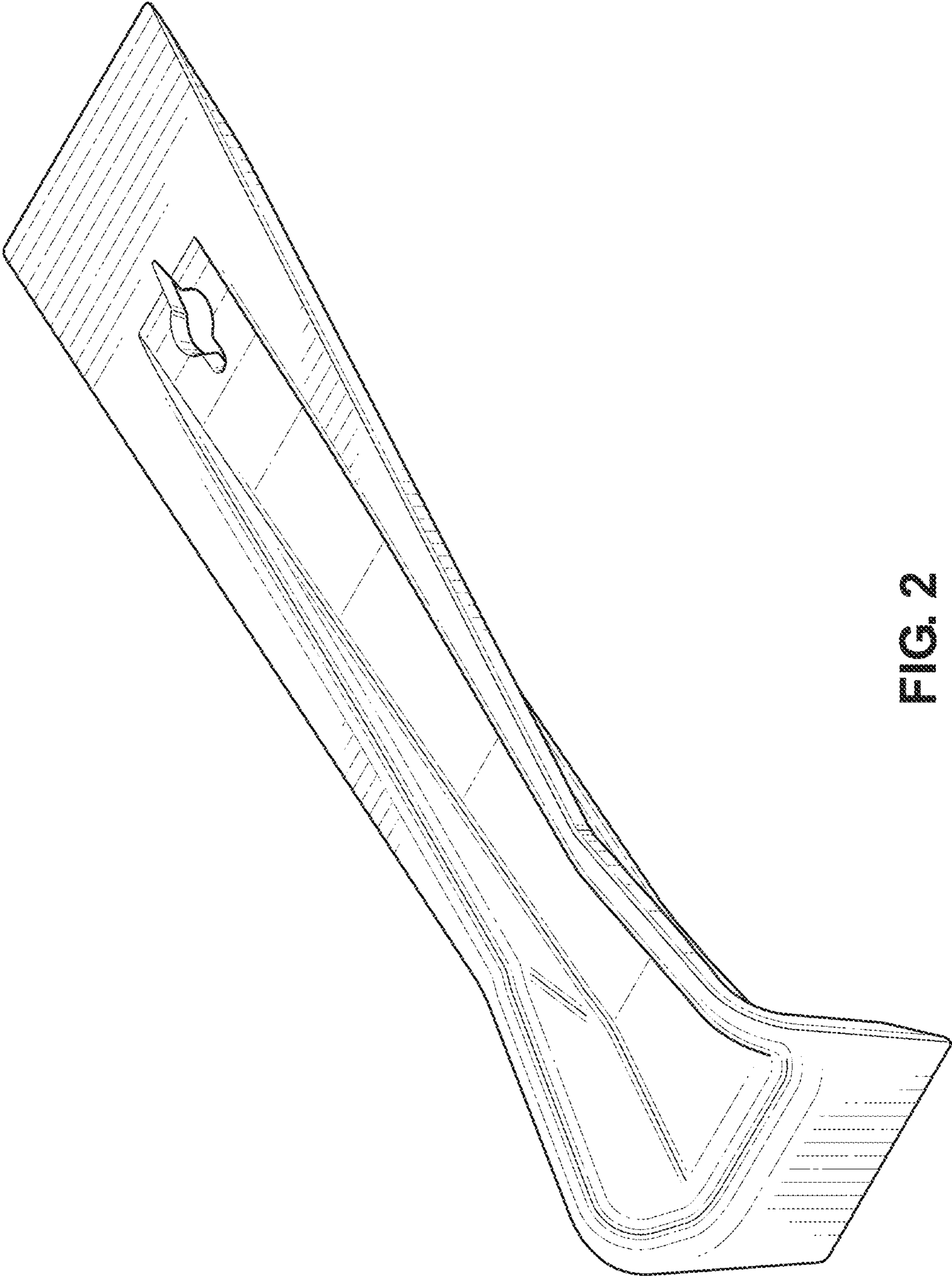


FIG. 2

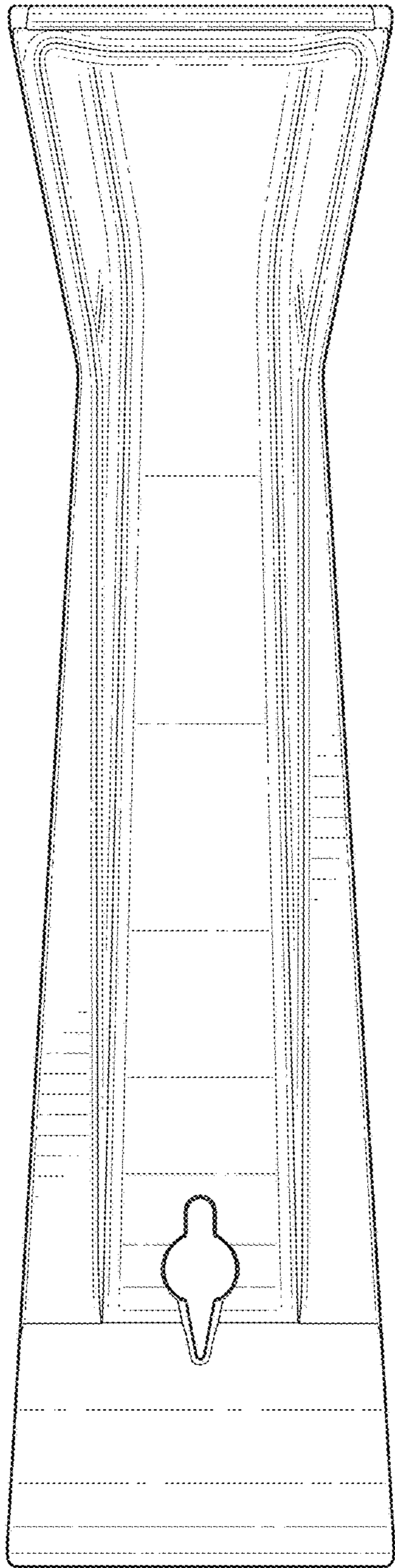


FIG. 3

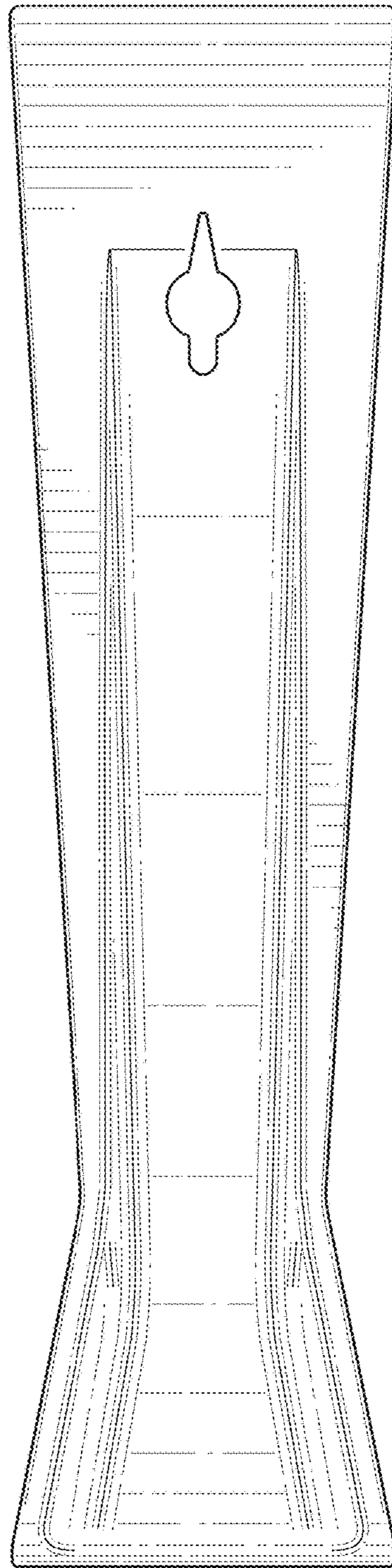


FIG. 4

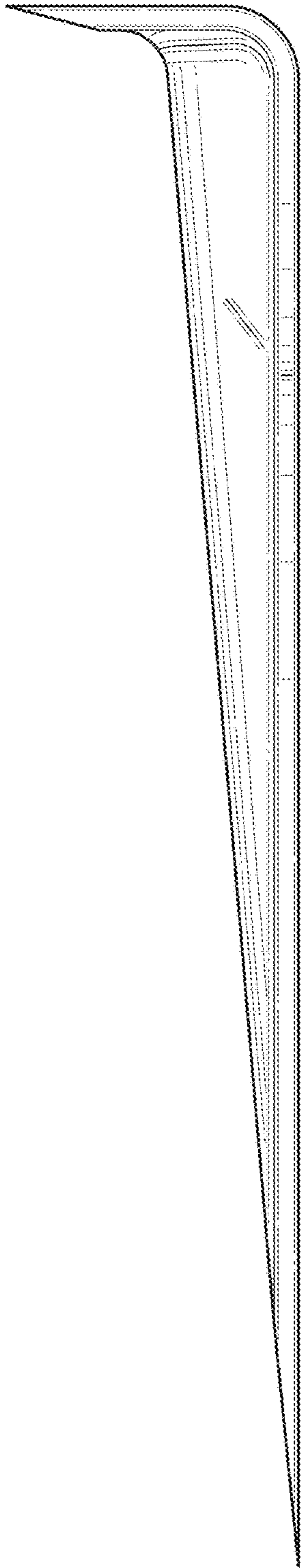


FIG. 5

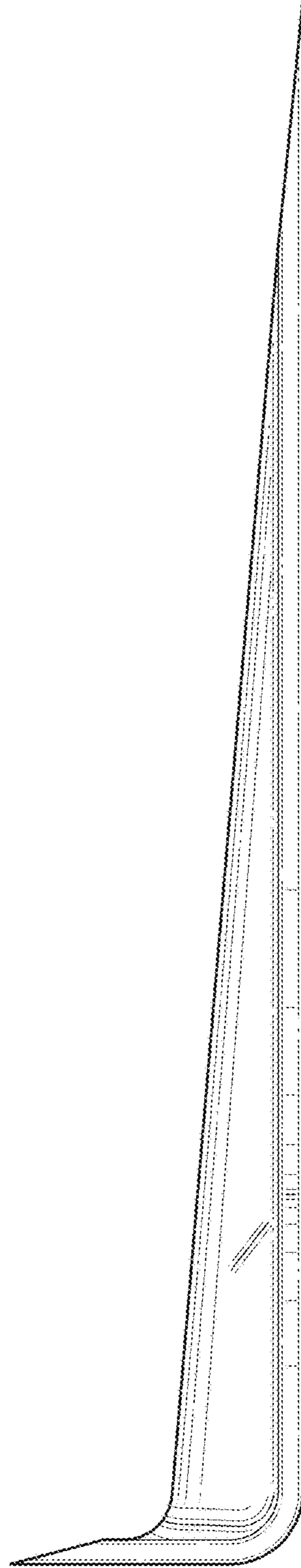


FIG. 6

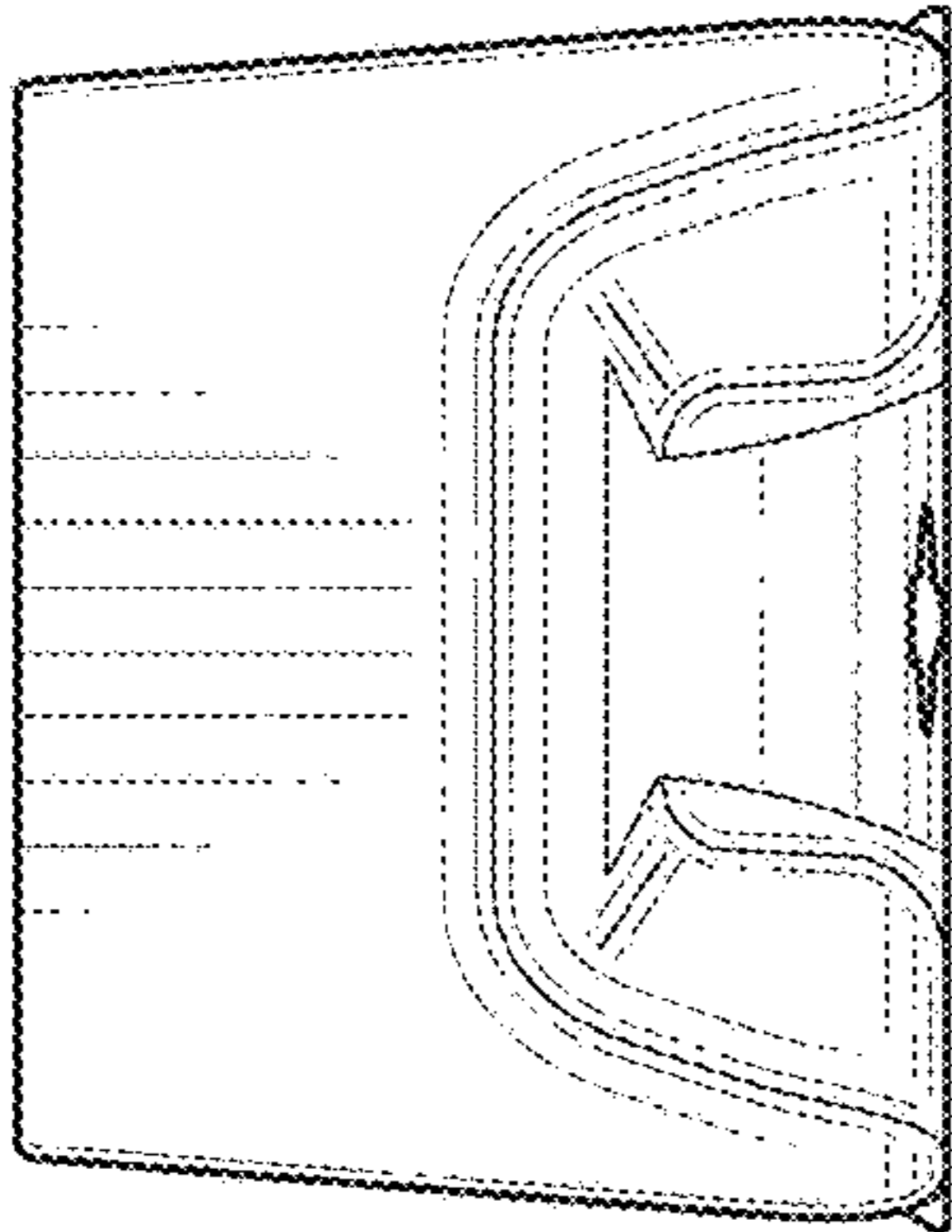


FIG. 7

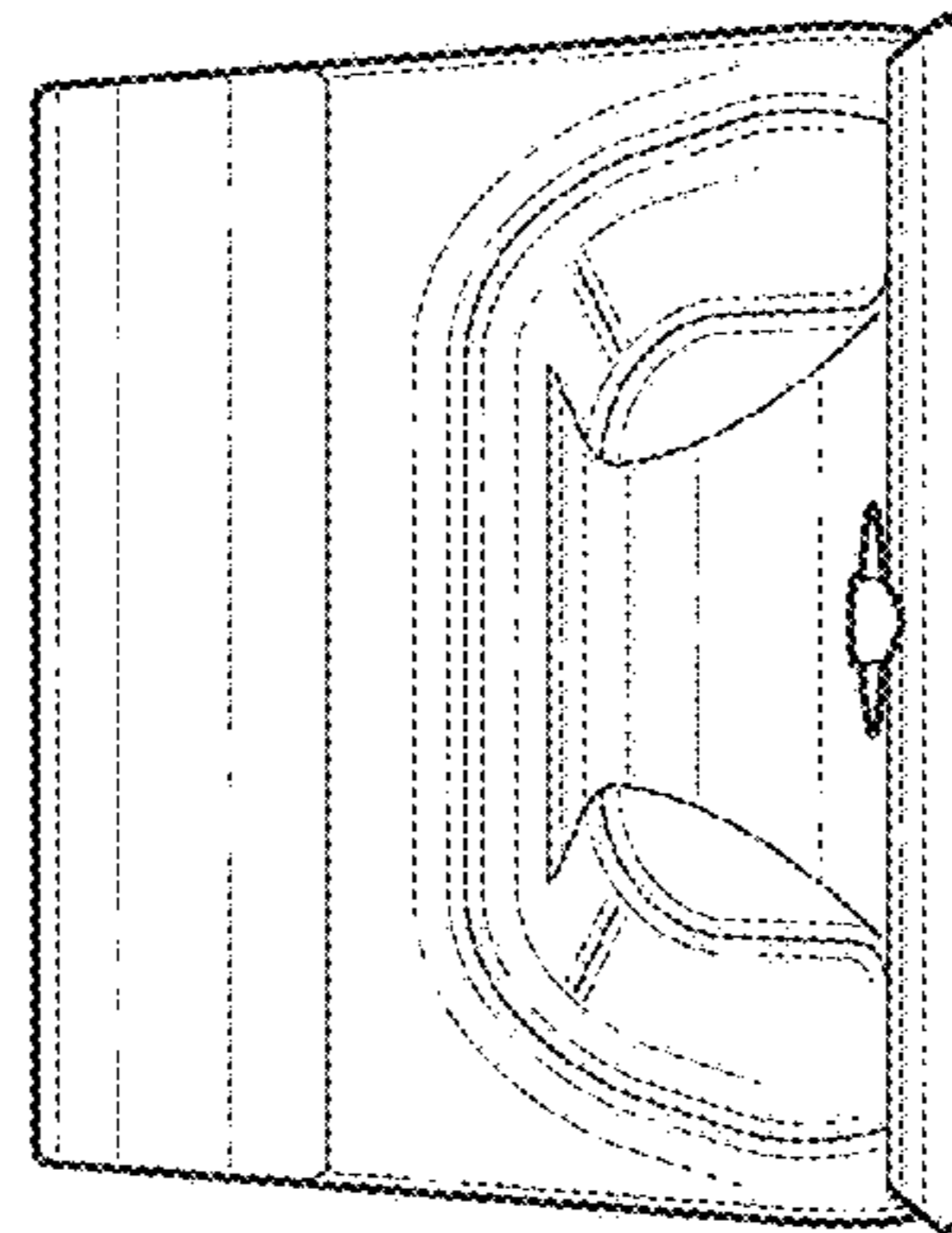


FIG. 8