



US00D790943S

(12) **United States Design Patent** (10) **Patent No.:** **US D790,943 S**  
**Reinhart** (45) **Date of Patent:** **\*\* Jul. 4, 2017**

(54) **KEYED SAW HORSE RAIL** 6,401,865 B1 \* 6/2002 Elwick ..... B66D 3/20  
182/142  
(71) Applicant: **Creative Plastic Concepts, LLC,** 6,488,119 B1 \* 12/2002 DuRapau ..... B25H 1/06  
Sycamore, OH (US) 182/153  
D638,141 S \* 5/2011 Busschaert ..... D25/67  
(72) Inventor: **Nickolas Reinhart,** Findlay, OH (US) D708,351 S \* 7/2014 Ken-Dror ..... D25/67  
D722,183 S \* 2/2015 Reinhart ..... D25/67  
9,221,168 B2 \* 12/2015 Boyd ..... B25H 1/04  
(73) Assignee: **Creative Plastic Concepts, LLC,** 2002/0125072 A1 \* 9/2002 Levy ..... B25H 1/16  
Sycamore, OH (US) 182/153  
2003/0000770 A1 \* 1/2003 Virtue ..... B25H 1/06  
182/186.3  
(\*\*) Term: **15 Years**

(Continued)

(21) Appl. No.: **29/549,056**

FOREIGN PATENT DOCUMENTS

(22) Filed: **Dec. 18, 2015**  
(51) **LOC (10) Cl.** ..... **08-05**  
(52) **U.S. Cl.**  
USPC ..... **D8/71**  
(58) **Field of Classification Search**  
USPC ..... D8/71; D15/141; D25/67; 182/153,  
182/225, 182.5, 182.4, 181.1, 129, 183.1,  
182/186.5, 224  
CPC .... B25H 1/06; B25H 1/16; B25H 1/08; B27B  
21/00  
See application file for complete search history.

CA 2315612 A1 \* 2/2001 ..... B25H 1/06  
*Primary Examiner* — Caron D Veynar  
*Assistant Examiner* — Maria Edwards  
(74) *Attorney, Agent, or Firm* — Ward Law Office LLC;  
Jacob M. Ward

(57) **CLAIM**

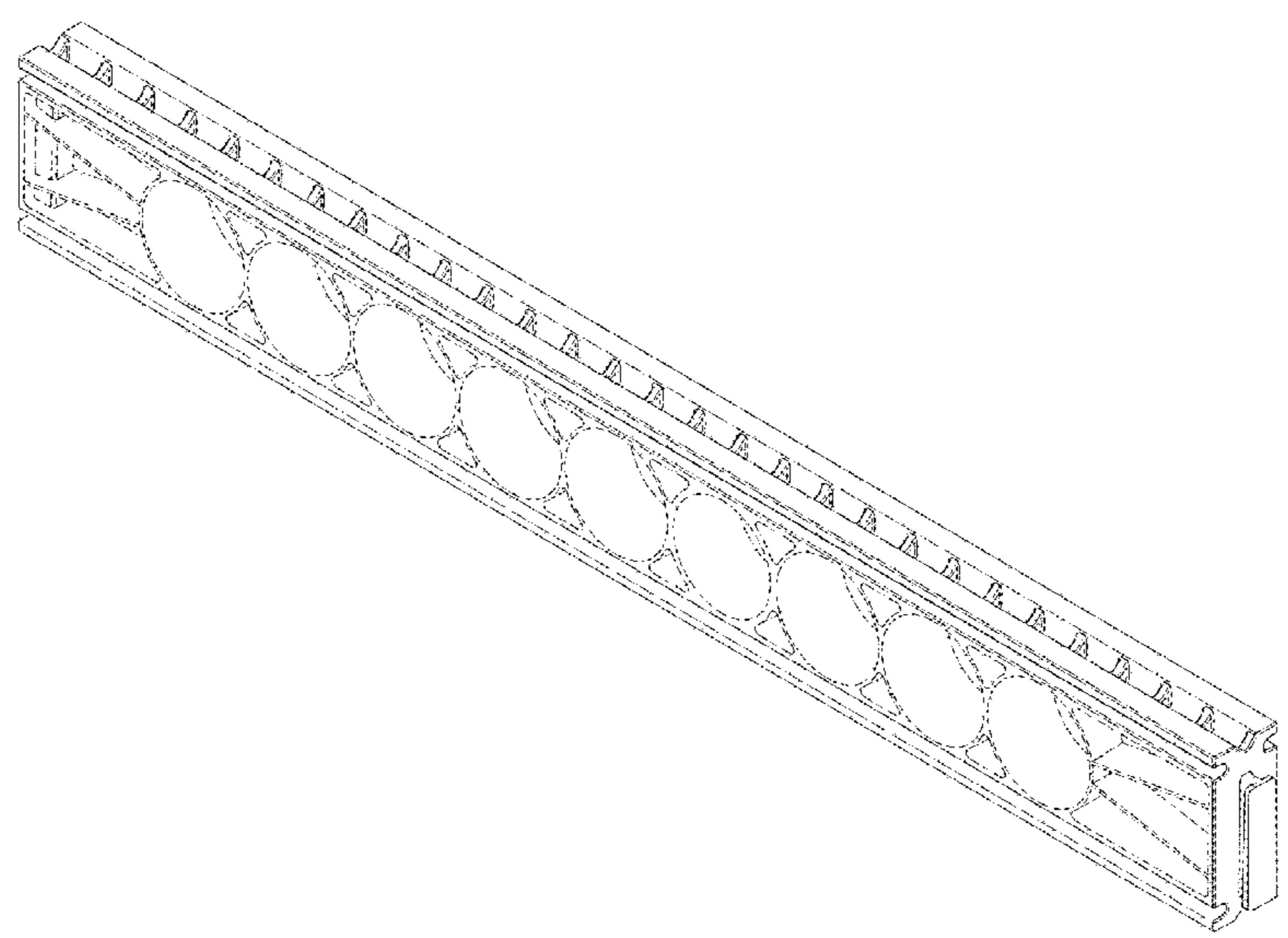
The ornamental design for a keyed saw horse rail, as shown and described.

**DESCRIPTION**

(56) **References Cited**  
U.S. PATENT DOCUMENTS  
4,014,405 A \* 3/1977 Breisch ..... B25H 1/06  
182/186.5  
D392,746 S \* 3/1998 Dickinson ..... D25/67  
5,904,225 A \* 5/1999 Patros ..... B25H 1/08  
182/181.1  
D425,210 S \* 5/2000 DuRapau ..... D25/67  
6,123,173 A \* 9/2000 Patros ..... B25H 1/06  
182/129  
6,164,413 A \* 12/2000 Sagol ..... B25H 1/16  
182/153  
6,286,824 B1 \* 9/2001 Sagol ..... B25H 1/04  
269/900  
6,305,498 B1 \* 10/2001 Itzkovitch ..... B25H 1/06  
182/129

FIG. 1 is a top left front perspective view of a keyed saw horse rail;  
FIG. 2 is a bottom left rear perspective view thereof;  
FIG. 3 is a left side elevational view thereof;  
FIG. 4 is a top plan view thereof;  
FIG. 5 is a bottom plan view thereof;  
FIG. 6 is an enlarged front elevational view thereof; and,  
FIG. 7 is an enlarged rear elevational view thereof.  
A right side elevational view is not shown because it is a mirror image of the left side elevational view shown in FIG. 3.  
The broken lines in the drawings illustrate portions of the article that form no part of the claimed design.

**1 Claim, 4 Drawing Sheets**



(56)

**References Cited**

U.S. PATENT DOCUMENTS

2005/0230188 A1\* 10/2005 Berg ..... B25H 1/06  
182/153  
2009/0242329 A1\* 10/2009 Krauss ..... B25H 1/06  
182/153  
2013/0140110 A1\* 6/2013 Ken-Dror ..... E04G 1/32  
182/18  
2016/0107305 A1\* 4/2016 Reinhart ..... B25H 1/06  
269/309  
2016/0221177 A1\* 8/2016 Reinhart ..... B25H 1/06

\* cited by examiner

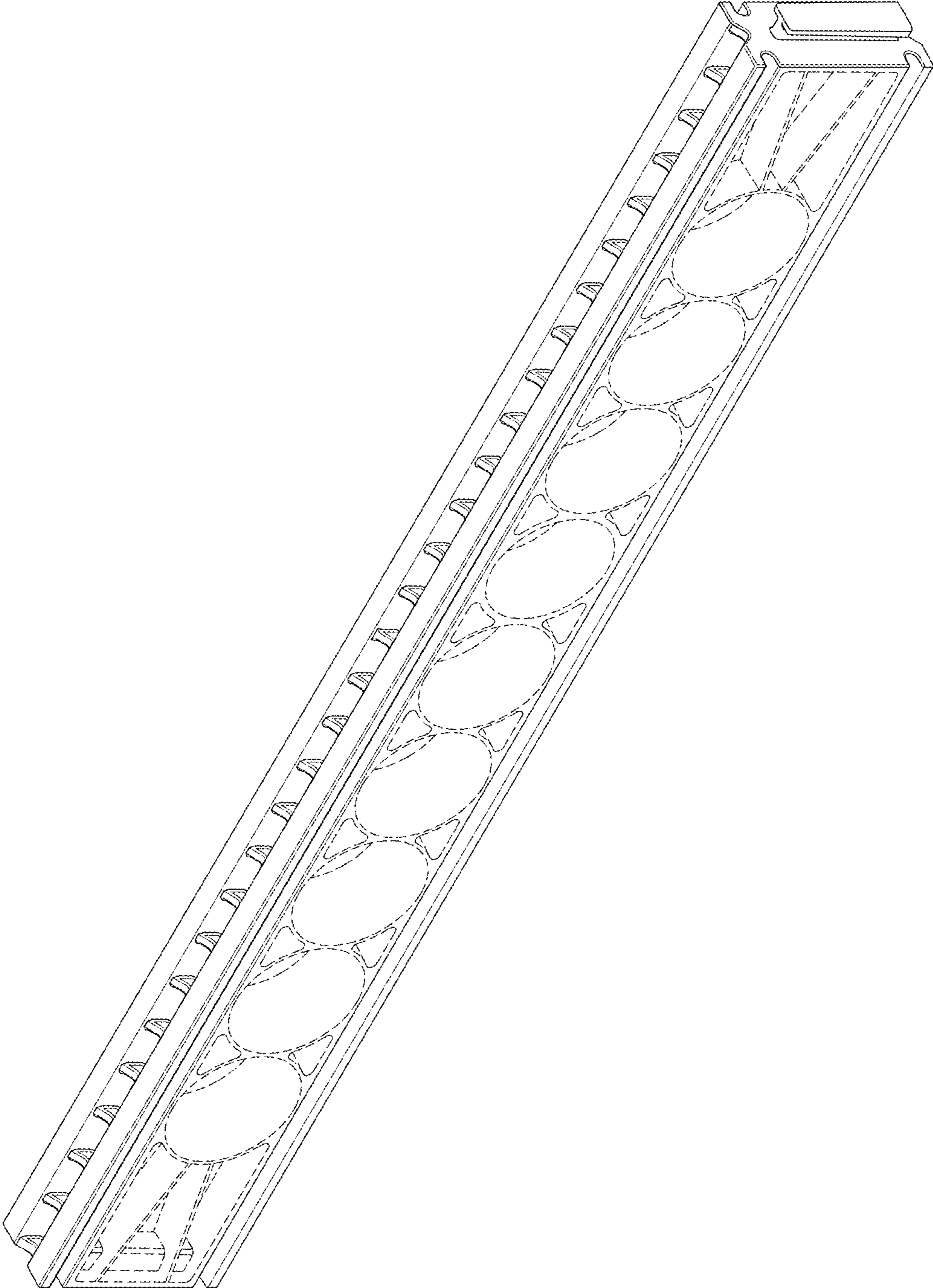


FIG. 1

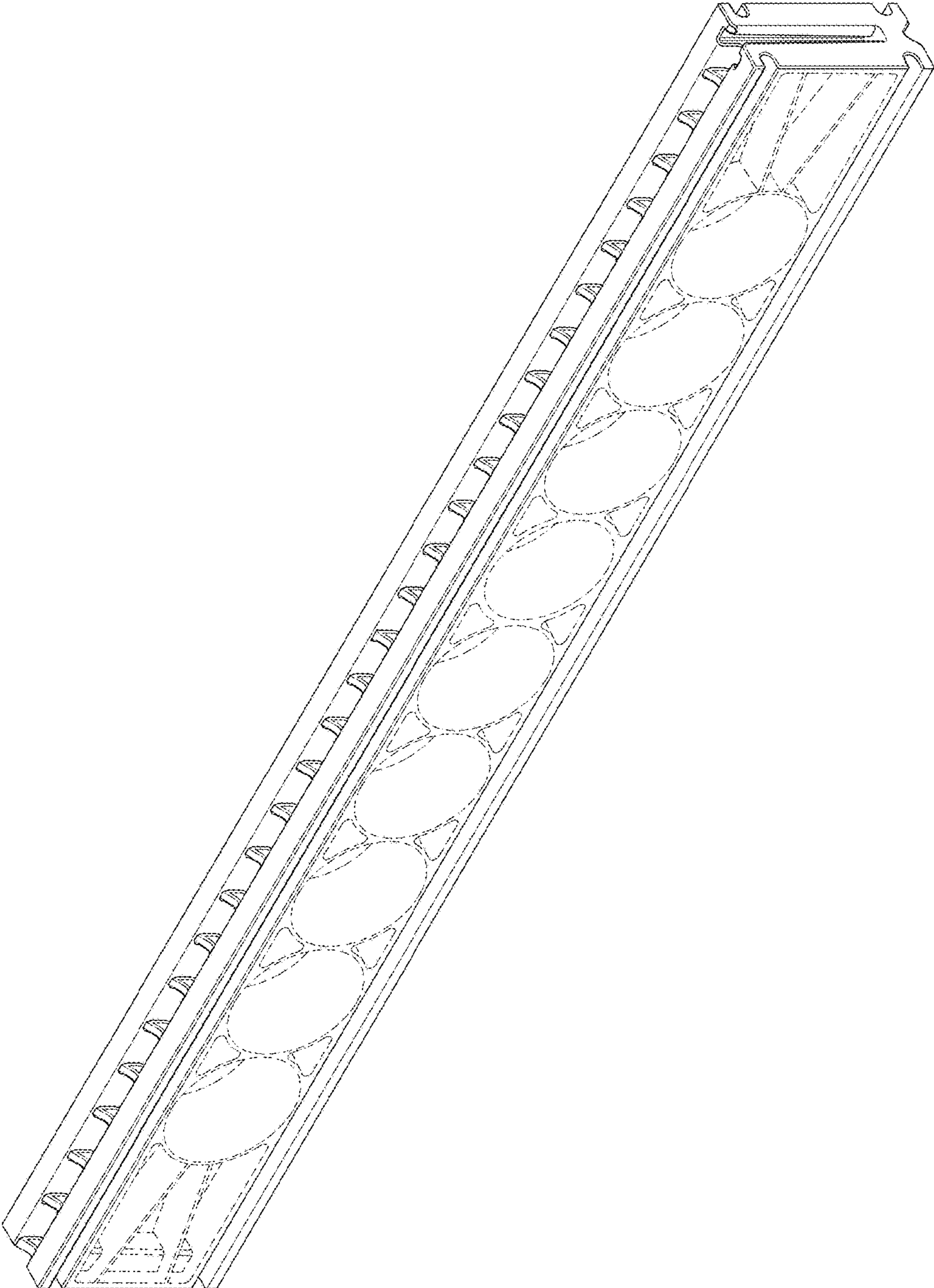


FIG. 2

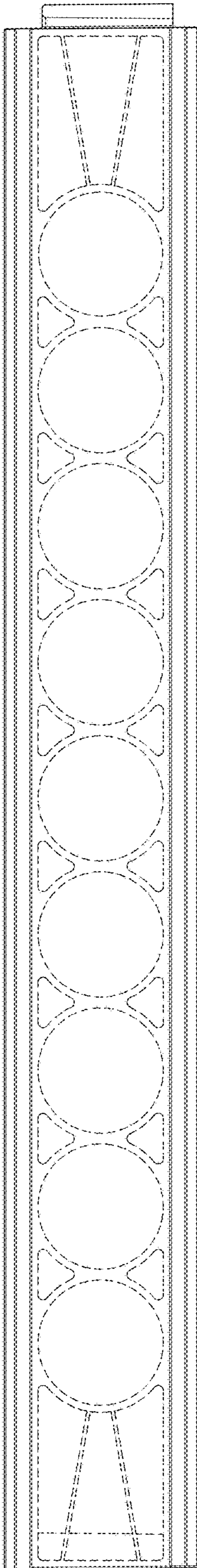


FIG. 3

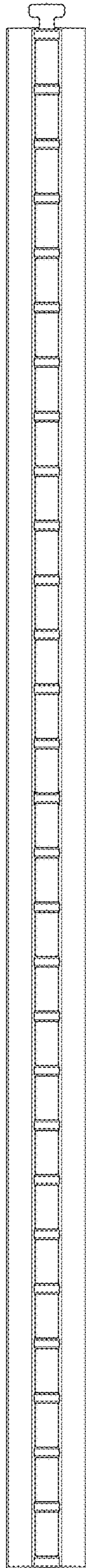


FIG. 4

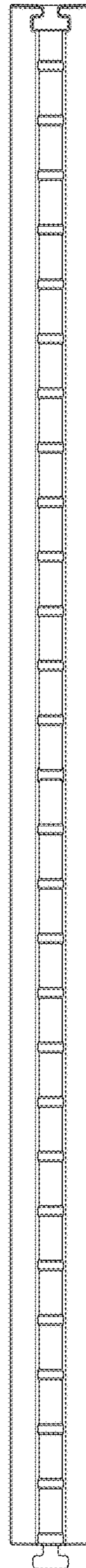


FIG. 5

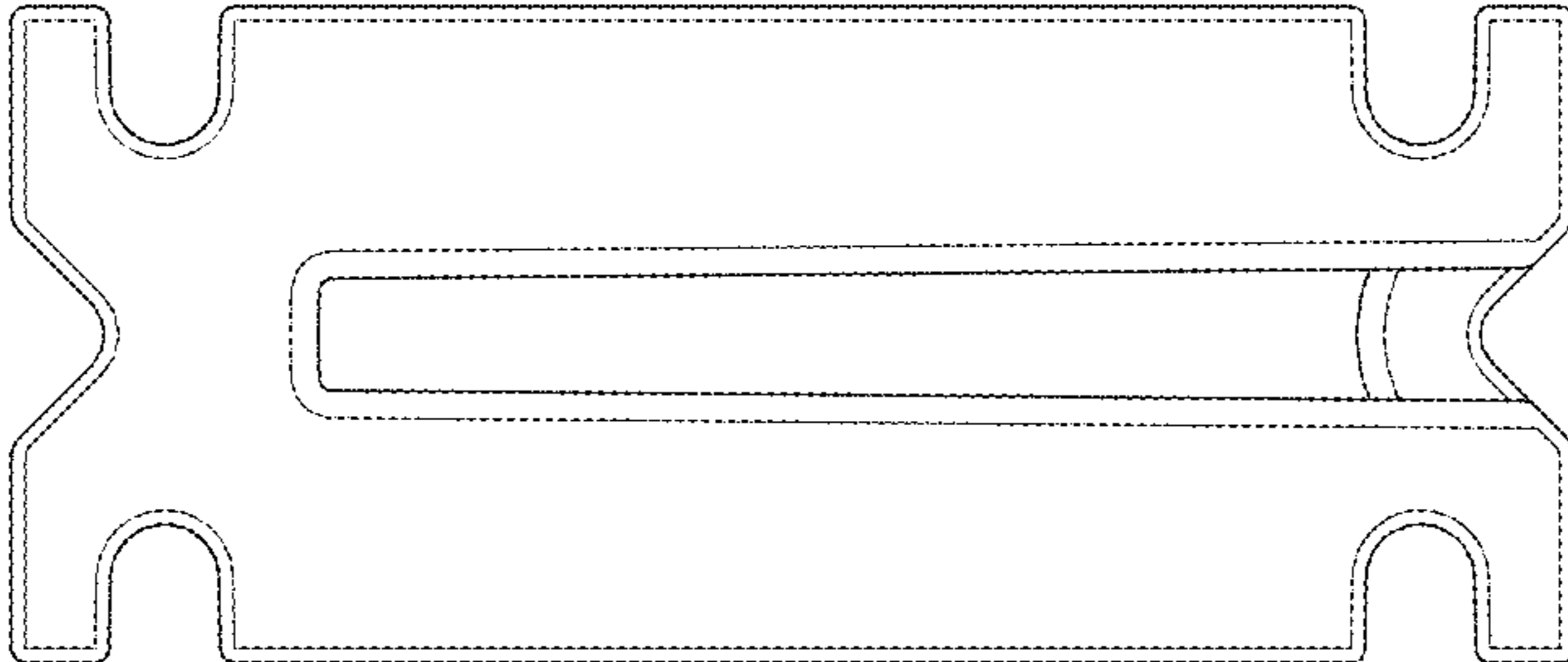


FIG. 7

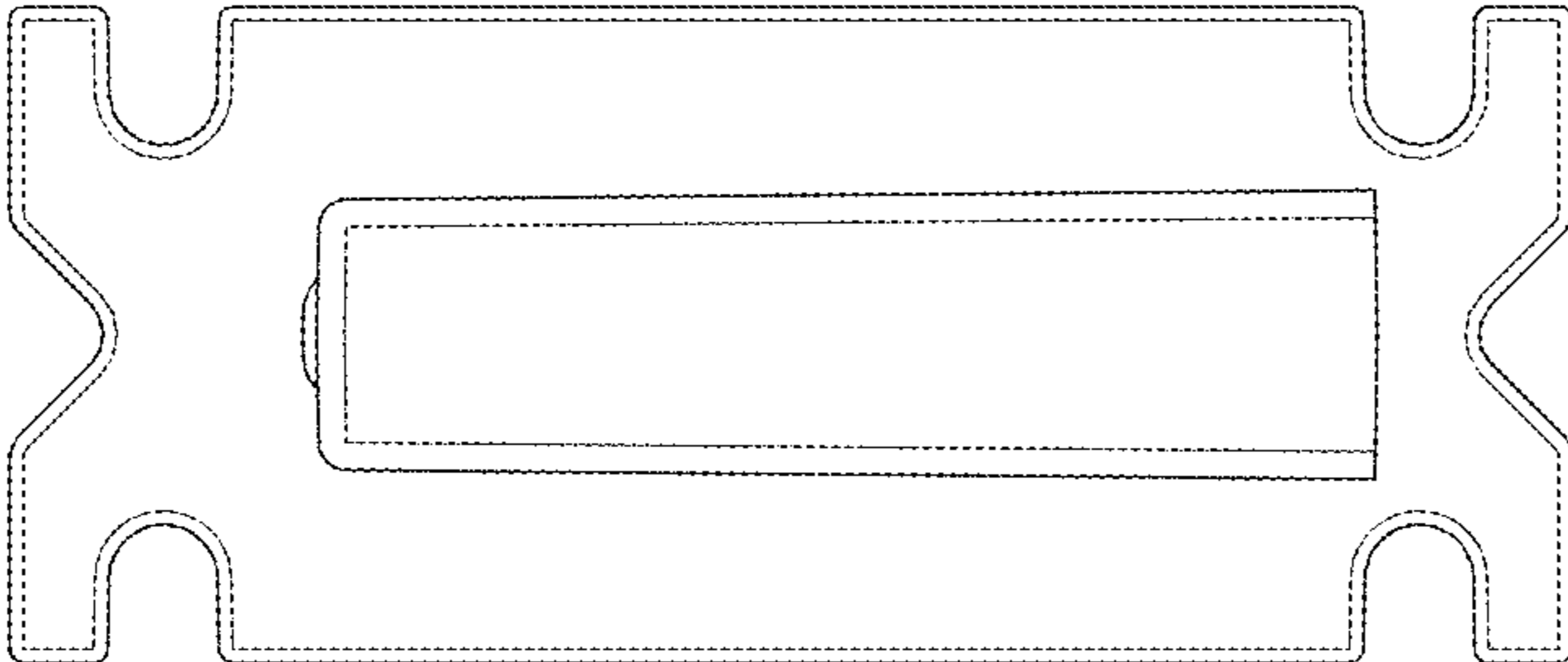


FIG. 6