



US00D790941S

(12) **United States Design Patent**
Turner

(10) **Patent No.:** **US D790,941 S**

(45) **Date of Patent:** **** Jul. 4, 2017**

- (54) **HOLE SAW**
- (71) Applicant: **Mark Turner**, Arlington, TX (US)
- (72) Inventor: **Mark Turner**, Arlington, TX (US)
- (**) Term: **15 Years**
- (21) Appl. No.: **29/557,080**
- (22) Filed: **Mar. 4, 2016**
- (51) **LOC (10) Cl.** **08-05**
- (52) **U.S. Cl.**
USPC **D8/70; D8/61**
- (58) **Field of Classification Search**
USPC D8/61, 67, 70, 107, 64; 409/182, 180,
409/134, 132, 131; 144/48.6, 252.1,
144/154.5, 136.95, 153; 279/48;
D15/138; D10/64
CPC .. B23D 49/00; B26D 1/00; B27C 5/00; B26F
1/38; B25F 1/006
See application file for complete search history.

- 3,745,664 A * 7/1973 Altseimer H02G 3/14
220/3.4
- D264,548 S * 5/1982 Krosunger D8/70
- 4,766,711 A * 8/1988 Bermingham E04C 1/40
52/404.1
- D308,326 S * 6/1990 Makowsky D15/133
- RE33,305 E * 8/1990 Thayer H02G 3/123
174/541
- D337,502 S * 7/1993 Witt D8/70
- D437,757 S * 2/2001 Thomson D8/61
- D577,975 S * 10/2008 Bahler D8/70
- D590,684 S * 4/2009 Budzik D15/138
- 7,845,089 B1 * 12/2010 Lavalle H02G 1/00
33/528
- D750,461 S * 3/2016 McRoberts D8/70

* cited by examiner

Primary Examiner — Austin Murphy
(74) *Attorney, Agent, or Firm* — James L. Baudino

(57) **CLAIM**

The ornamental design for a hole saw, as shown.

DESCRIPTION

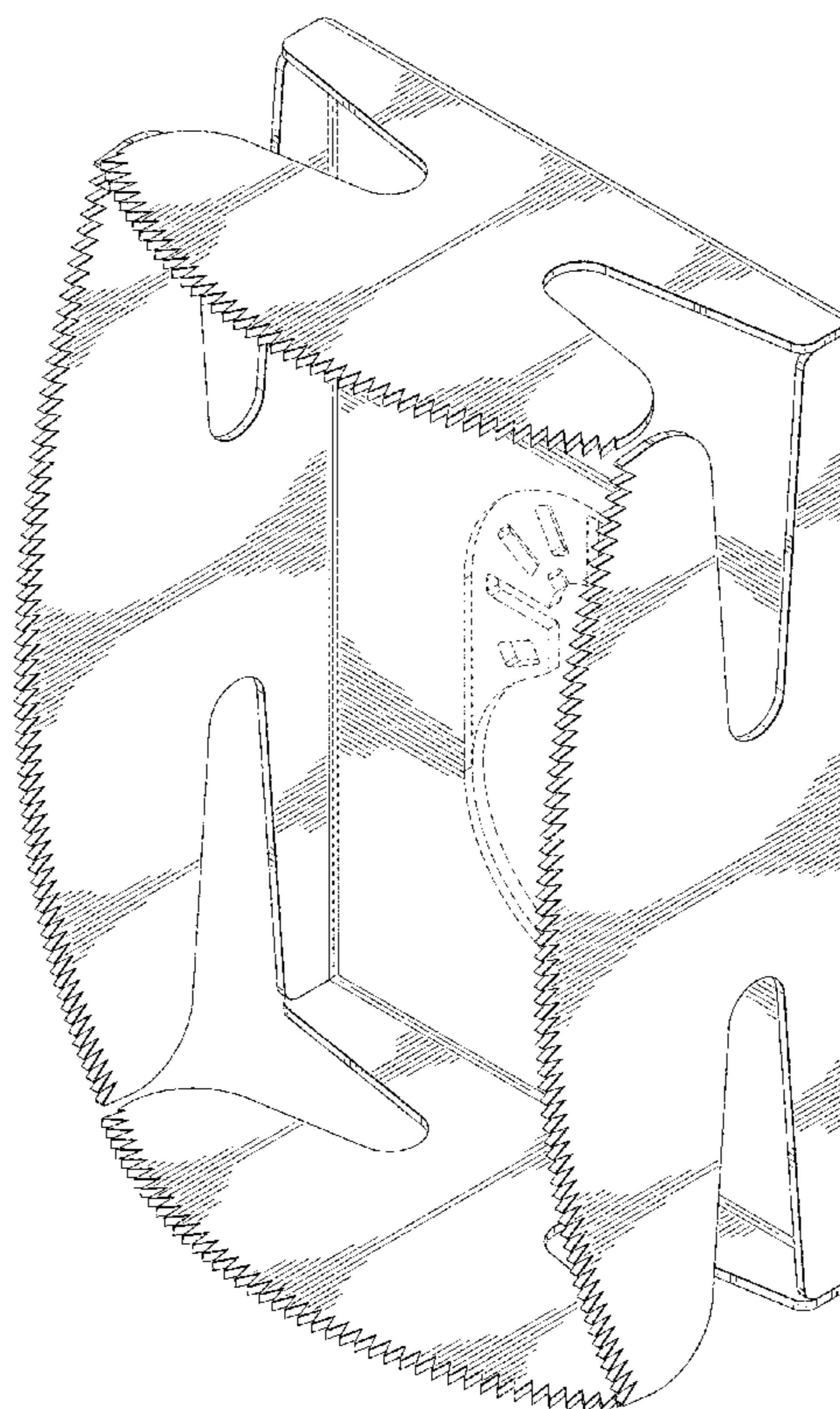
FIG. 1 is a top perspective view of a hole saw showing the new design;
FIG. 2 is a front elevation view thereof;
FIG. 3 is a rear elevation view thereof;
FIG. 4 is a right side elevation view thereof;
FIG. 5 is a left side elevation view thereof;
FIG. 6 is a top plan view thereof; and,
FIG. 7 is a bottom plan view thereof.

1 Claim, 6 Drawing Sheets

(56) **References Cited**

U.S. PATENT DOCUMENTS

- 1,791,311 A * 2/1931 Hamblen H02G 3/123
220/3.6
- 1,963,951 A * 6/1934 Bowers H02G 3/125
174/58
- 2,015,339 A * 9/1935 Ellingham B23B 51/0406
408/199



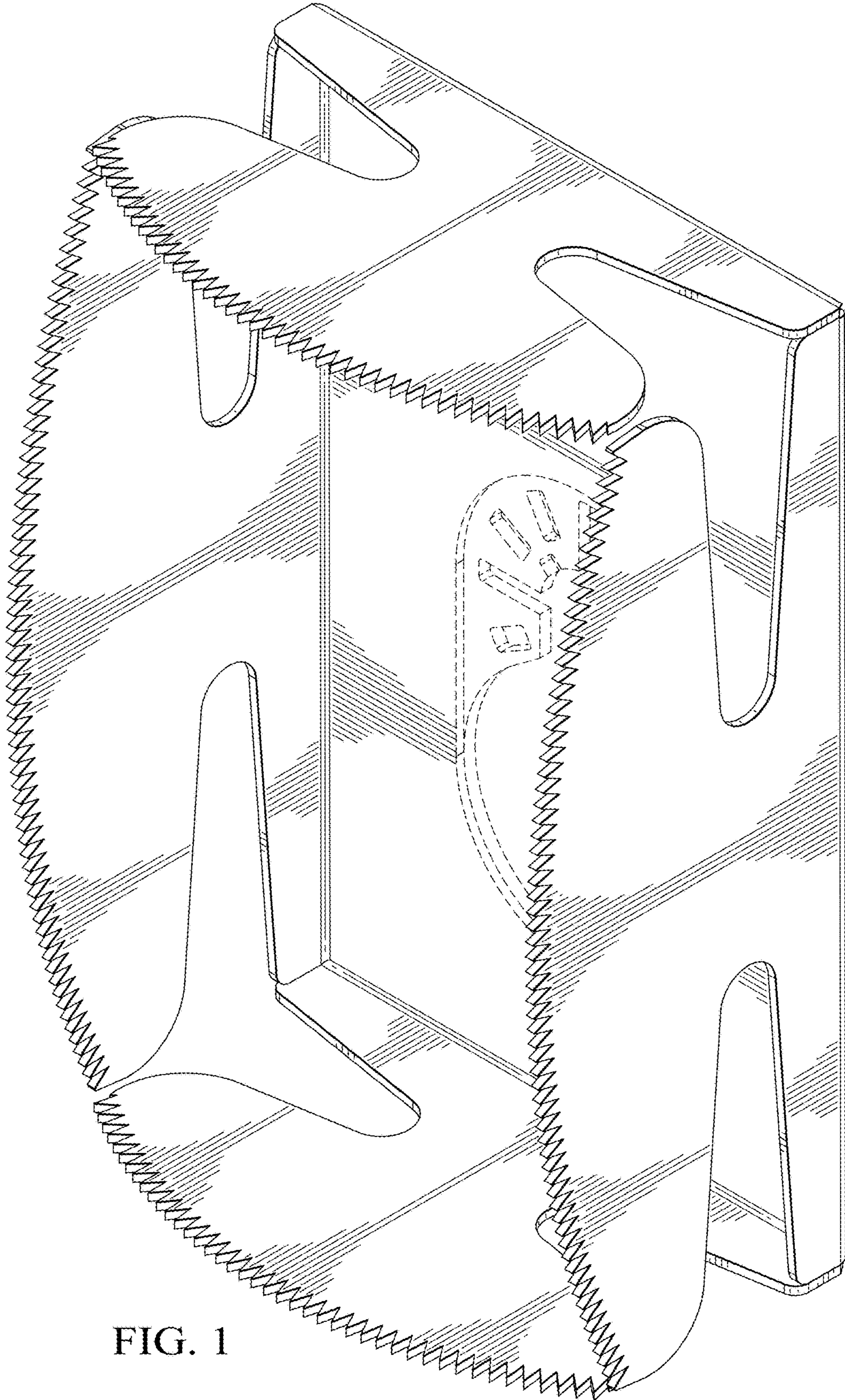


FIG. 1

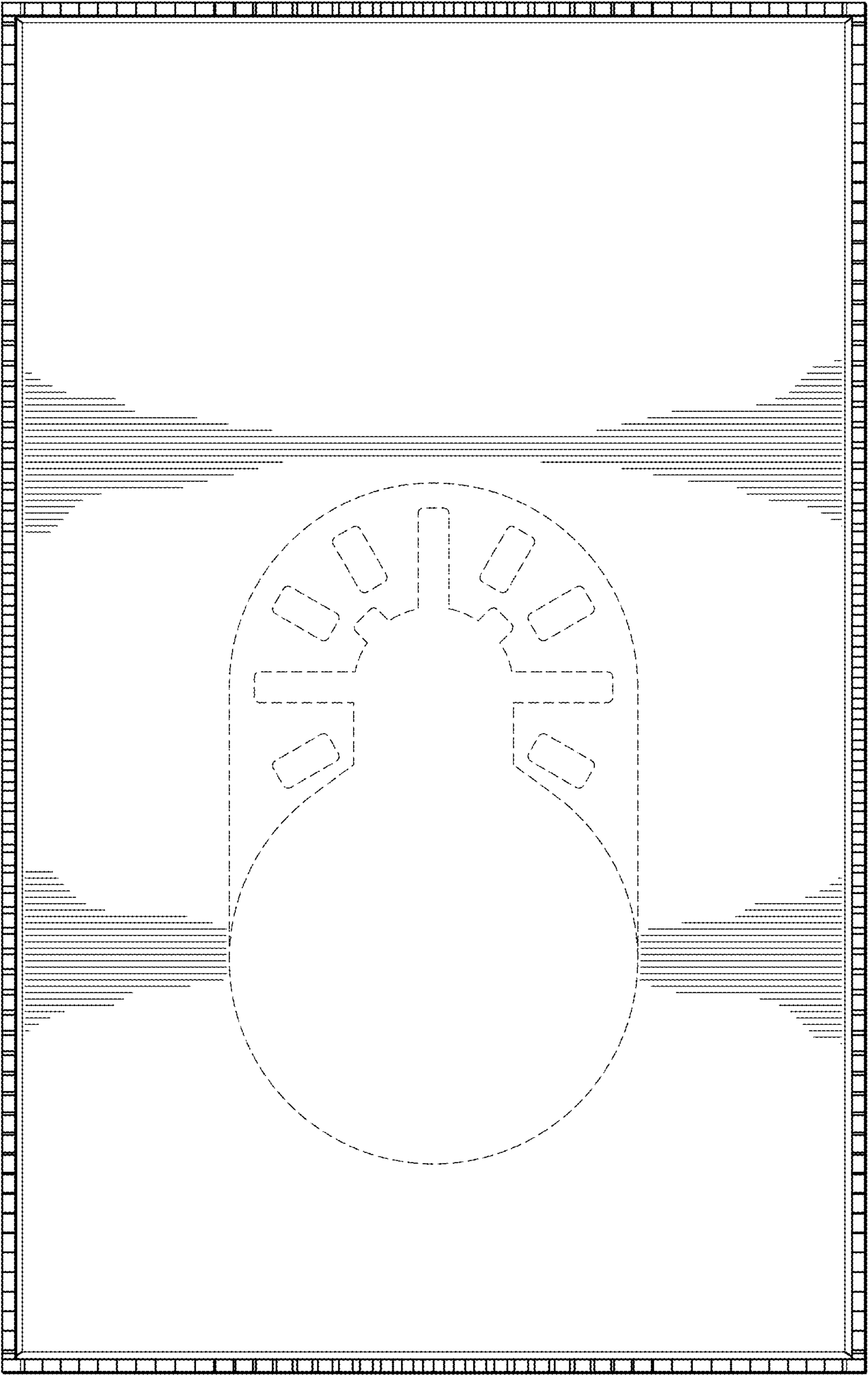


FIG. 2

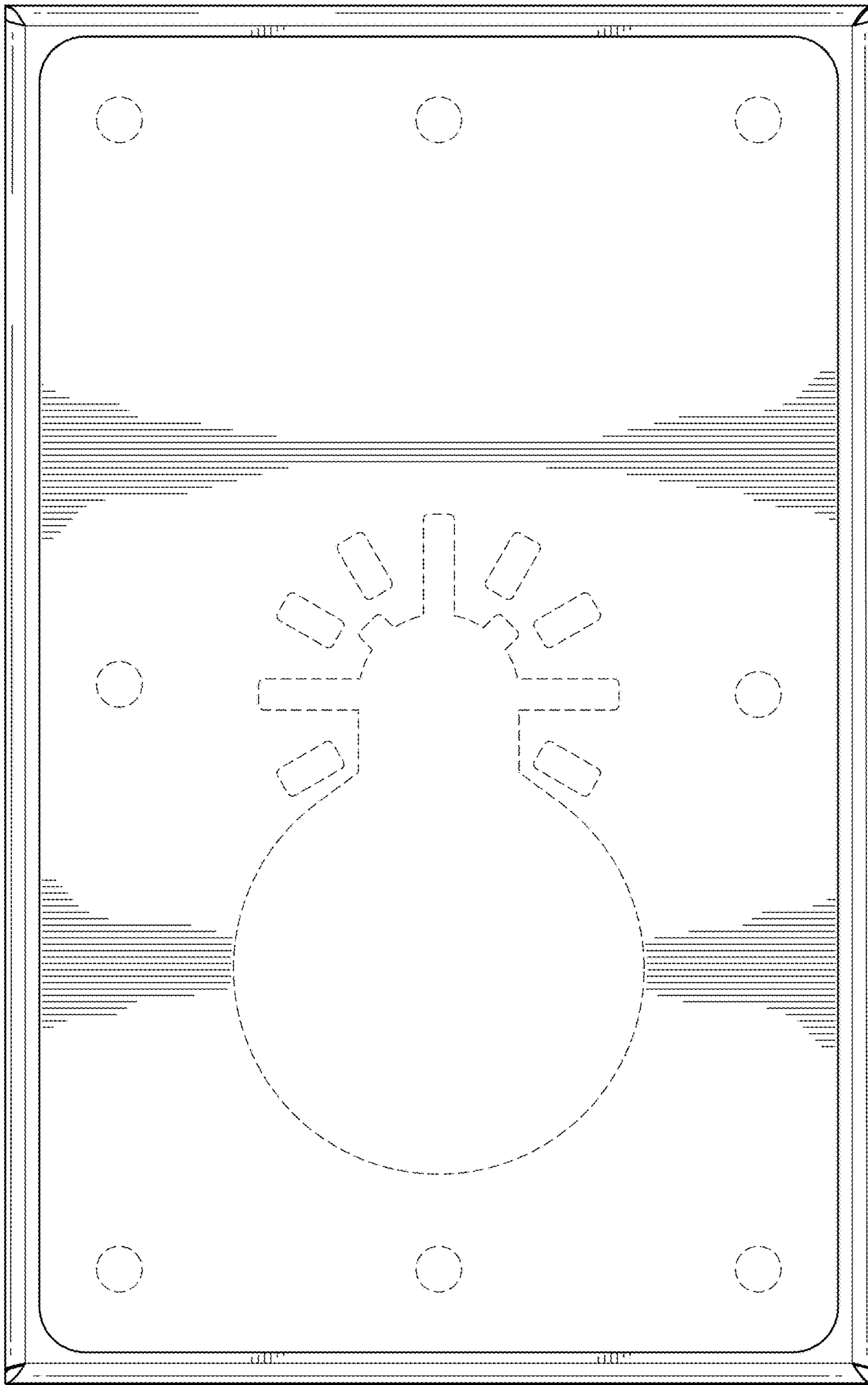


FIG. 3

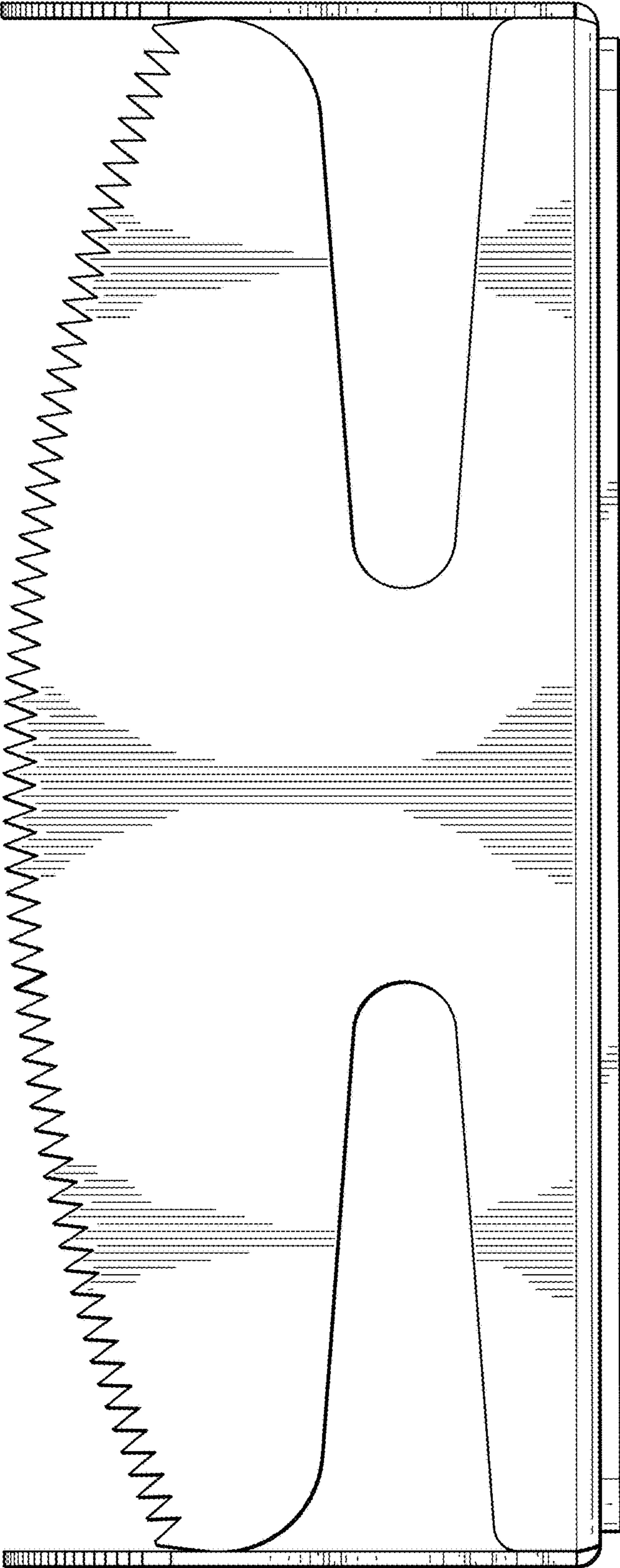


FIG. 4

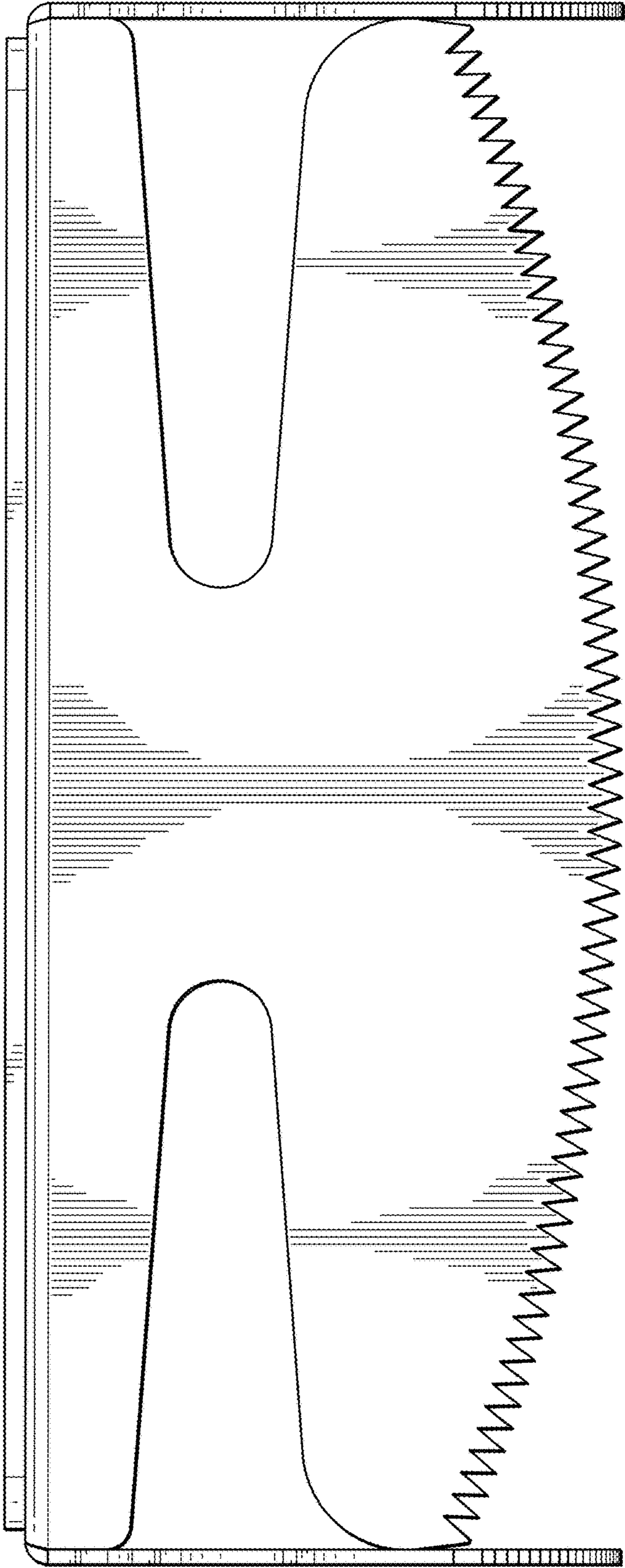


FIG. 5

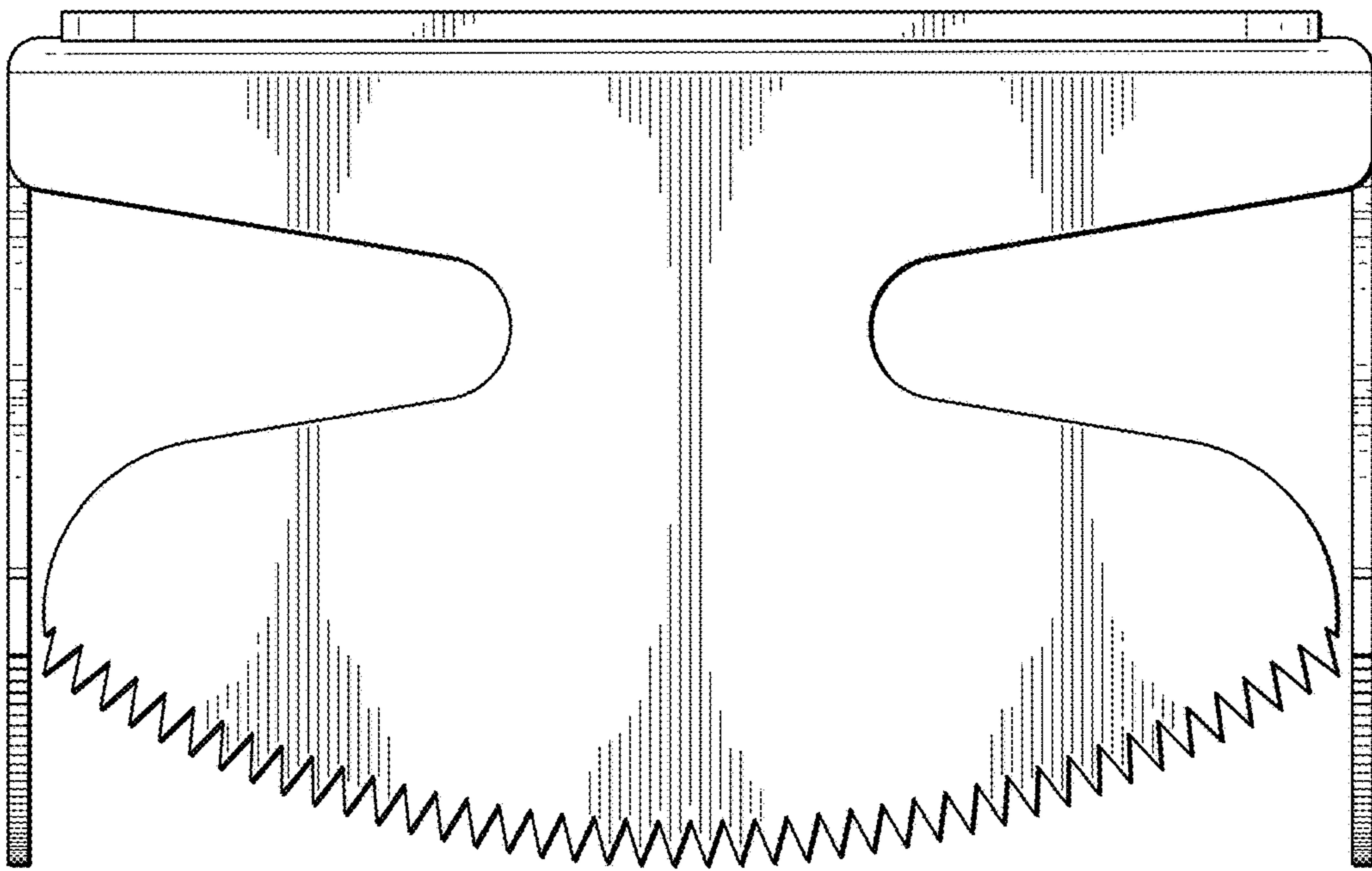


FIG. 6

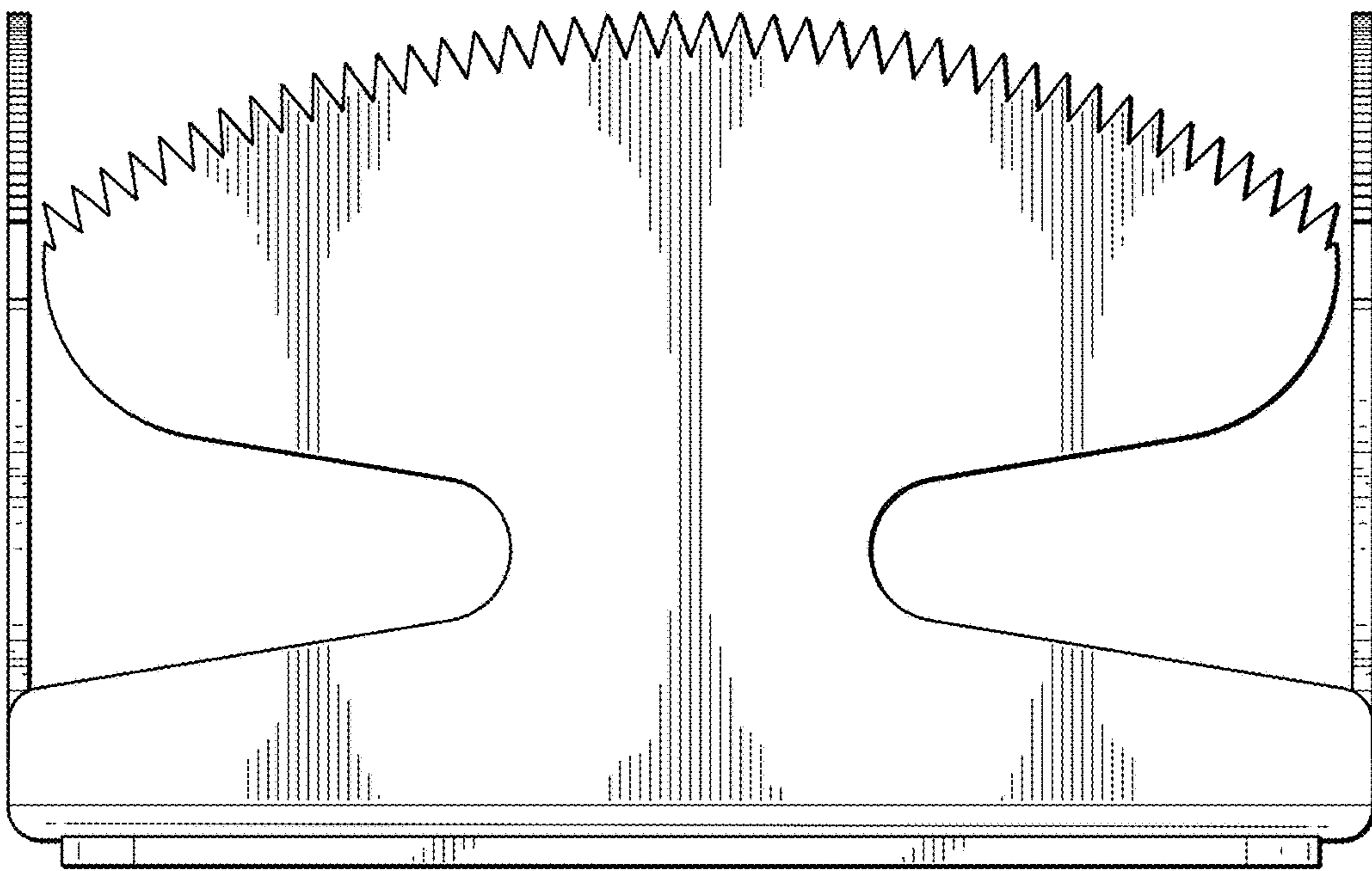


FIG. 7