



US00D790940S

(12) **United States Design Patent**
Dill

(10) **Patent No.:** **US D790,940 S**
(45) **Date of Patent:** **** Jul. 4, 2017**

(54) **POWDER ACTUATED TOOL**

DESCRIPTION

(71) Applicant: **Illinois Tool Works Inc.**, Glenview, IL (US)

(72) Inventor: **Michael C. Dill**, Elk Grove Village, IL (US)

(73) Assignee: **Illinois Tool Works Inc.**, Glenview, IL (US)

(**) Term: **15 Years**

(21) Appl. No.: **29/548,920**

(22) Filed: **Dec. 17, 2015**

(51) **LOC (10) Cl.** **08-01**

(52) **U.S. Cl.**
USPC **D8/68**

(58) **Field of Classification Search**
USPC D8/61, 67, 68

(Continued)

(56) **References Cited**

U.S. PATENT DOCUMENTS

D328,411 S * 8/1992 Cavado D8/68
5,273,198 A 12/1993 Popovich et al.

(Continued)

OTHER PUBLICATIONS

Hilti Corporation, DX 460 Operating Instructions, 2003 (24 Pages).
(Continued)

Primary Examiner — Darlington Ly

(74) *Attorney, Agent, or Firm* — Neal, Gerber & Eisenberg LLP

(57) **CLAIM**

The ornamental design for a powder actuated tool, as shown and described.

FIG. 1 is a front perspective view of a powder actuated tool showing my new design in accordance to a first embodiment;

FIG. 2 is a left side elevation view thereof;

FIG. 3 is a right side elevation view thereof;

FIG. 4 is a front elevation view thereof;

FIG. 5 is a rear elevation view thereof;

FIG. 6 is a top plan view thereof; and

FIG. 7 is bottom plan view thereof.

FIG. 8 is a front perspective view of a powder actuated tool showing my new design in accordance to a second embodiment;

FIG. 9 is a left side elevation view thereof;

FIG. 10 is a right side elevation view thereof;

FIG. 11 is a front elevation view thereof;

FIG. 12 is a rear elevation view thereof;

FIG. 13 is a top plan view thereof; and

FIG. 14 is bottom plan view thereof.

FIG. 15 is a front perspective view of a powder actuated tool showing my new design in accordance to a third embodiment;

FIG. 16 is a left side elevation view thereof;

FIG. 17 is a right side elevation view thereof;

FIG. 18 is a front elevation view thereof;

FIG. 19 is a rear elevation view thereof;

FIG. 20 is a top plan view thereof; and

FIG. 21 is bottom plan view thereof.

FIG. 22 is a front perspective view of a powder actuated tool showing my new design in accordance to a fourth embodiment;

FIG. 23 is a left side elevation view thereof;

FIG. 24 is a right side elevation view thereof;

FIG. 25 is a front elevation view thereof;

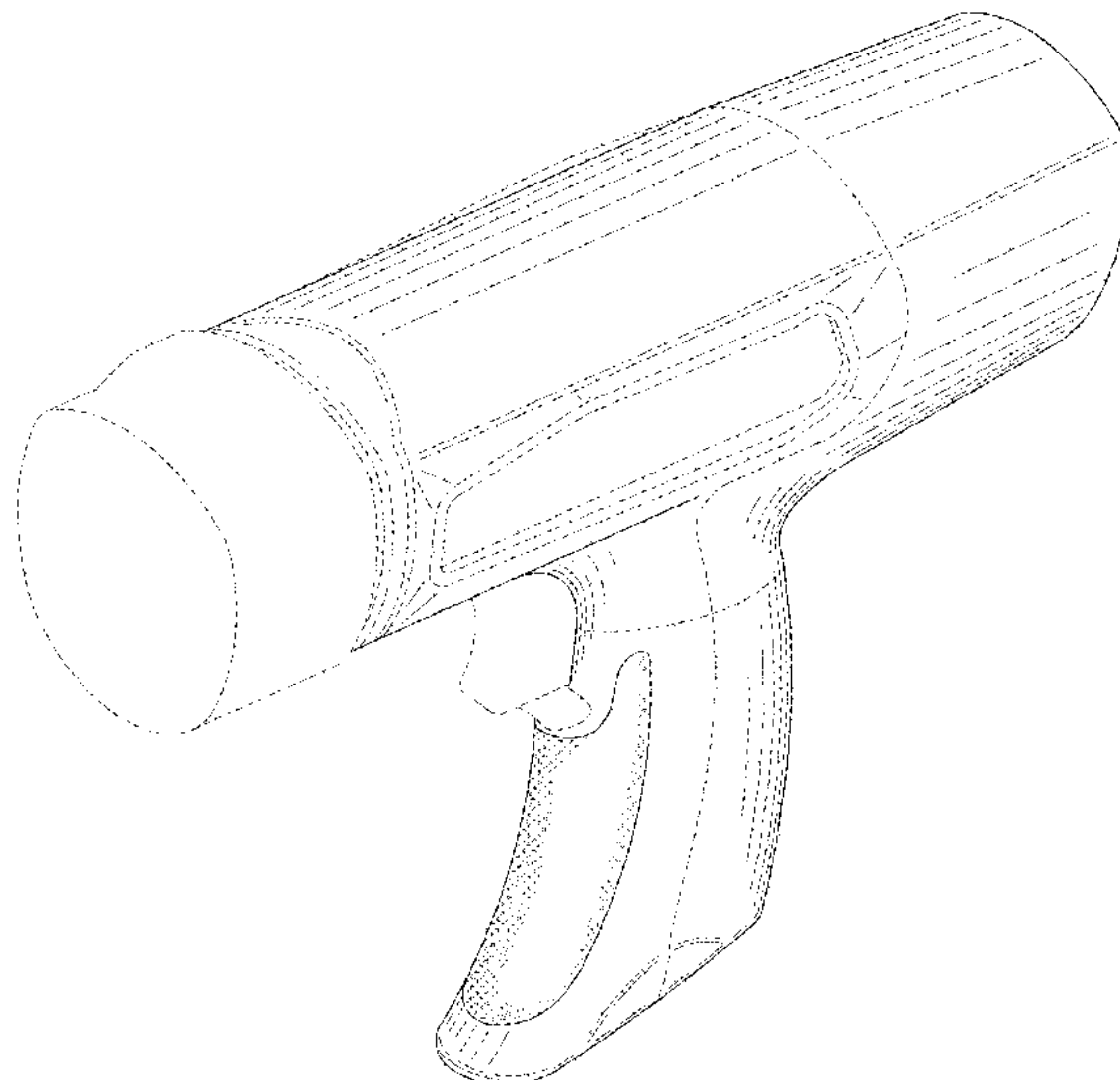
FIG. 26 is a rear elevation view thereof;

FIG. 27 is a top plan view thereof; and,

FIG. 28 is bottom plan view thereof.

The broken lines in the drawings illustrate portions of the powder actuated tool that form no part of the claimed design.

1 Claim, 24 Drawing Sheets



(58) **Field of Classification Search**
 CPC B62D 23/005; B62D 29/00; B62D 29/043;
 B62D 31/00; B62D 33/046; B62D 35/00;
 B62D 35/001; B60Q 1/0005
 See application file for complete search history.

(56) **References Cited**

U.S. PATENT DOCUMENTS

D459,182	S	*	6/2002	Morgan	D8/68
D459,643	S	*	7/2002	Morgan	D8/68
D459,644	S	*	7/2002	Morgan	D8/68
D460,675	S	*	7/2002	Morgan	D8/68
D466,778	S	*	12/2002	Morgan	D8/68
D487,219	S	*	3/2004	Chudy	D8/68
D498,128	S	*	11/2004	Sterling	D8/68
D500,653	S	*	1/2005	Concari	D8/68
D508,835	S	*	8/2005	Schiller	D8/68
D508,836	S	*	8/2005	Schiller	D8/68
7,021,511	B2		4/2006	Popovich et al.		

D524,624	S	*	7/2006	Ki	D8/68
D529,776	S	*	10/2006	Chen	D8/68
D543,819	S		6/2007	Lee		
D589,771	S		4/2009	Lee		
D590,682	S	*	4/2009	Enriquez	D8/68
D600,996	S	*	9/2009	Sterling	D8/107
D609,544	S	*	2/2010	Lopano	D8/68
D619,438	S		7/2010	Lee		
D689,355	S	*	9/2013	Miller	D8/68
8,960,517	B2		2/2015	Lee		

OTHER PUBLICATIONS

Ramset® Powder Fastening Systems MasterShot™ Low Velocity Powder Actuated Tool Operator's Instruction & Training Manual, Jul. 2013 (20 pages).
 Ramset® Powder Fastening Systems Cobra+ Semi-Automatic, Low Velocity, Pison-Type Fastening Tool Operator's Instruction & Training Manual, Nov. 2013 (18 pages).

* cited by examiner

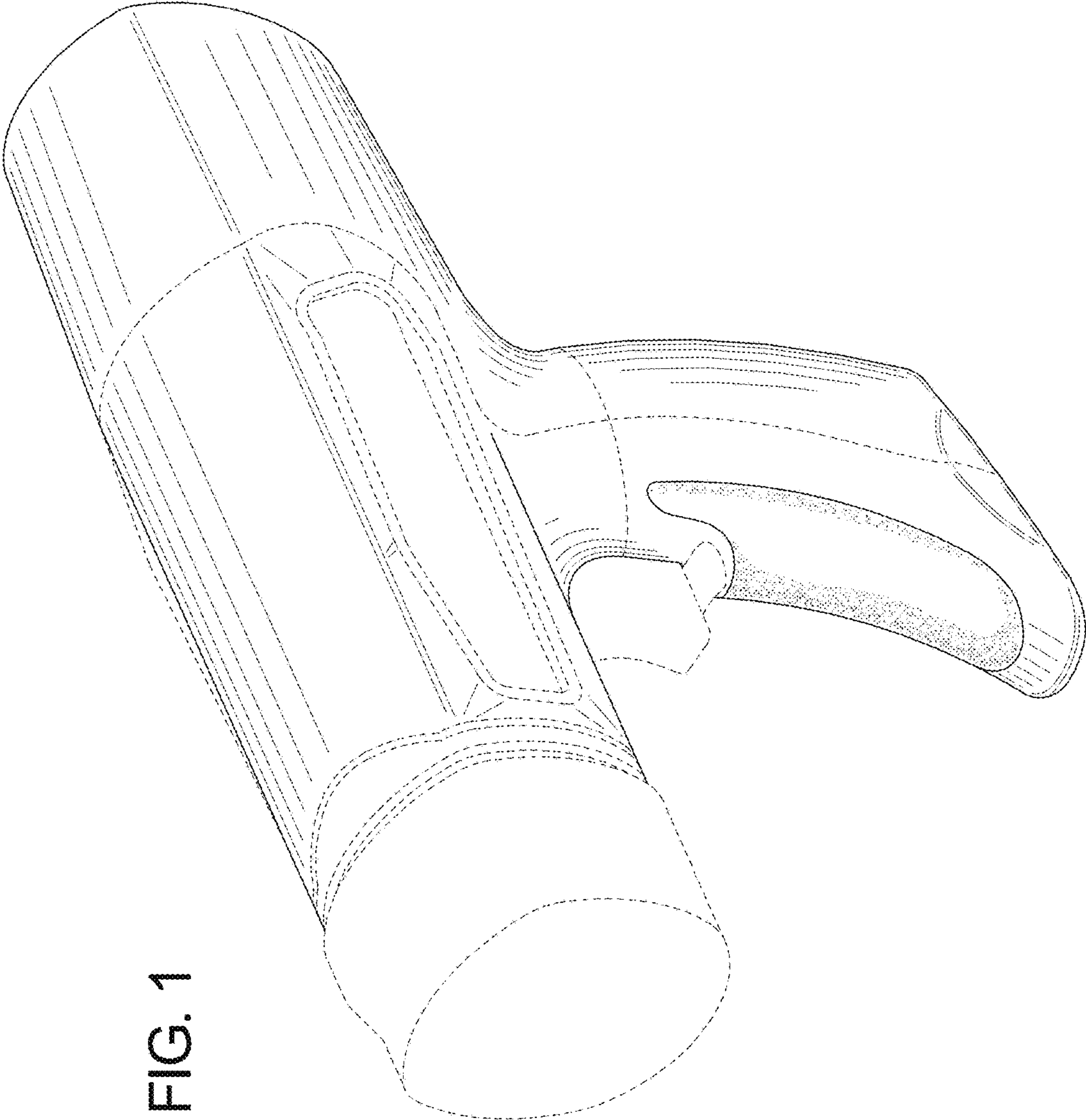


FIG. 1

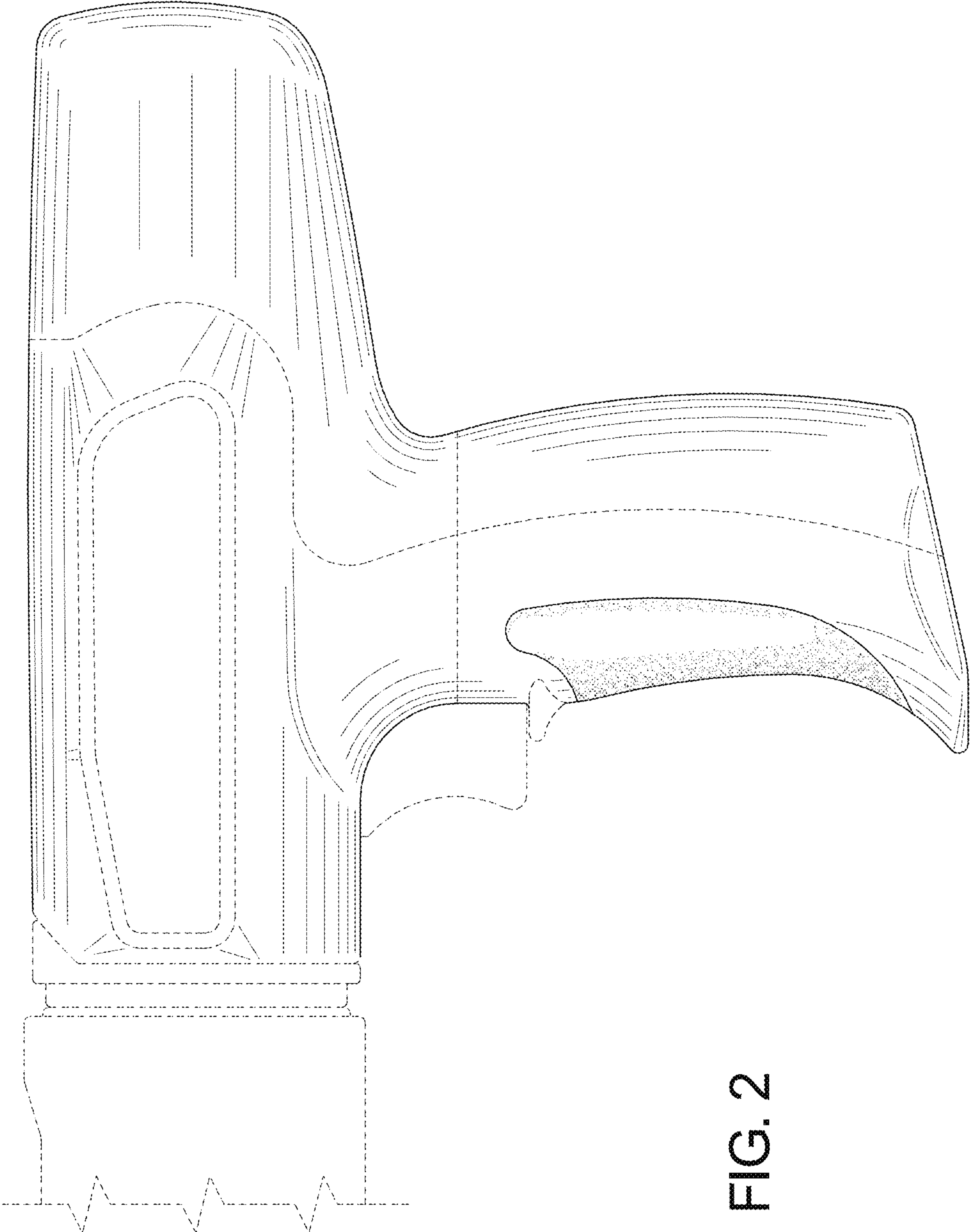


FIG. 2

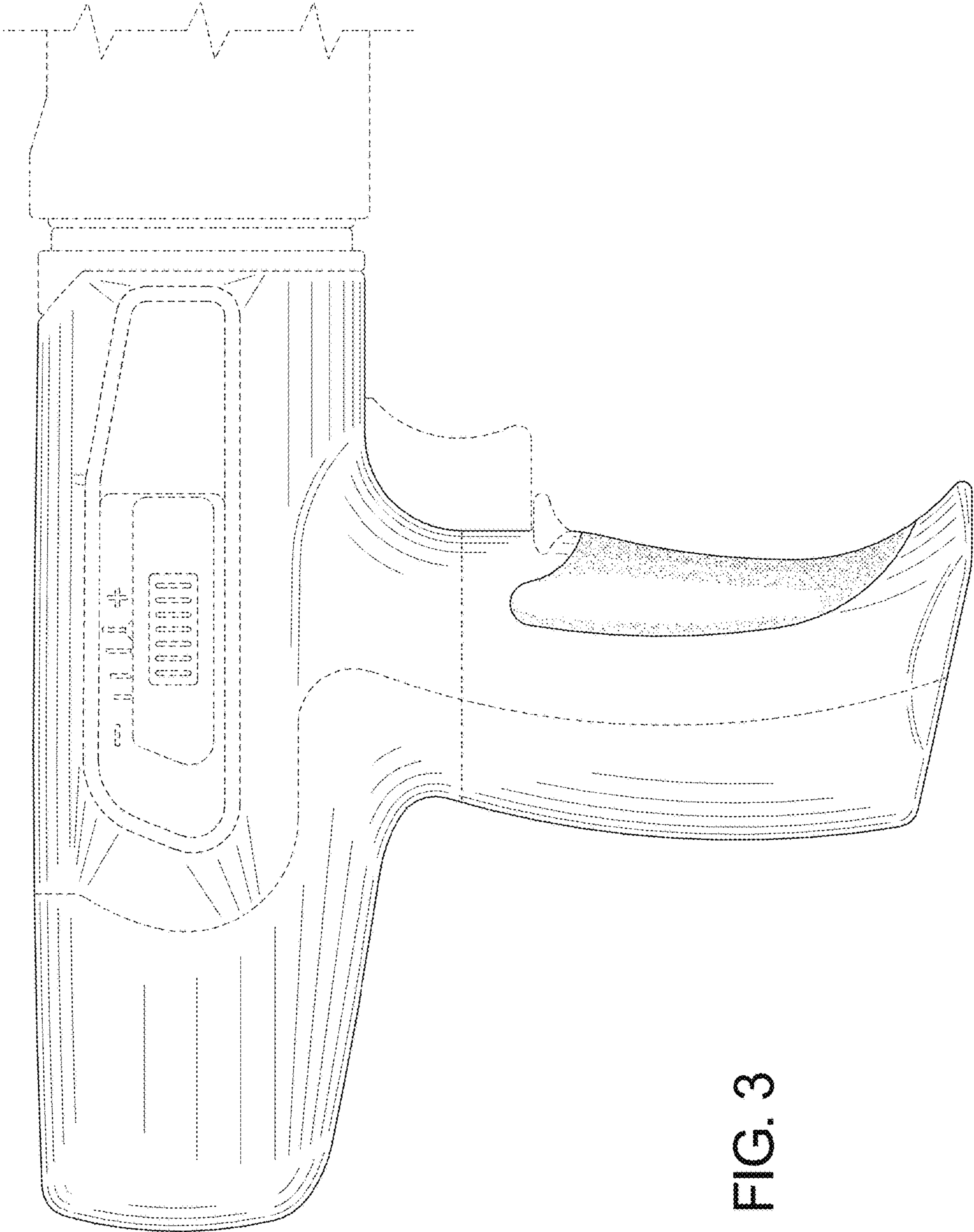


FIG. 3

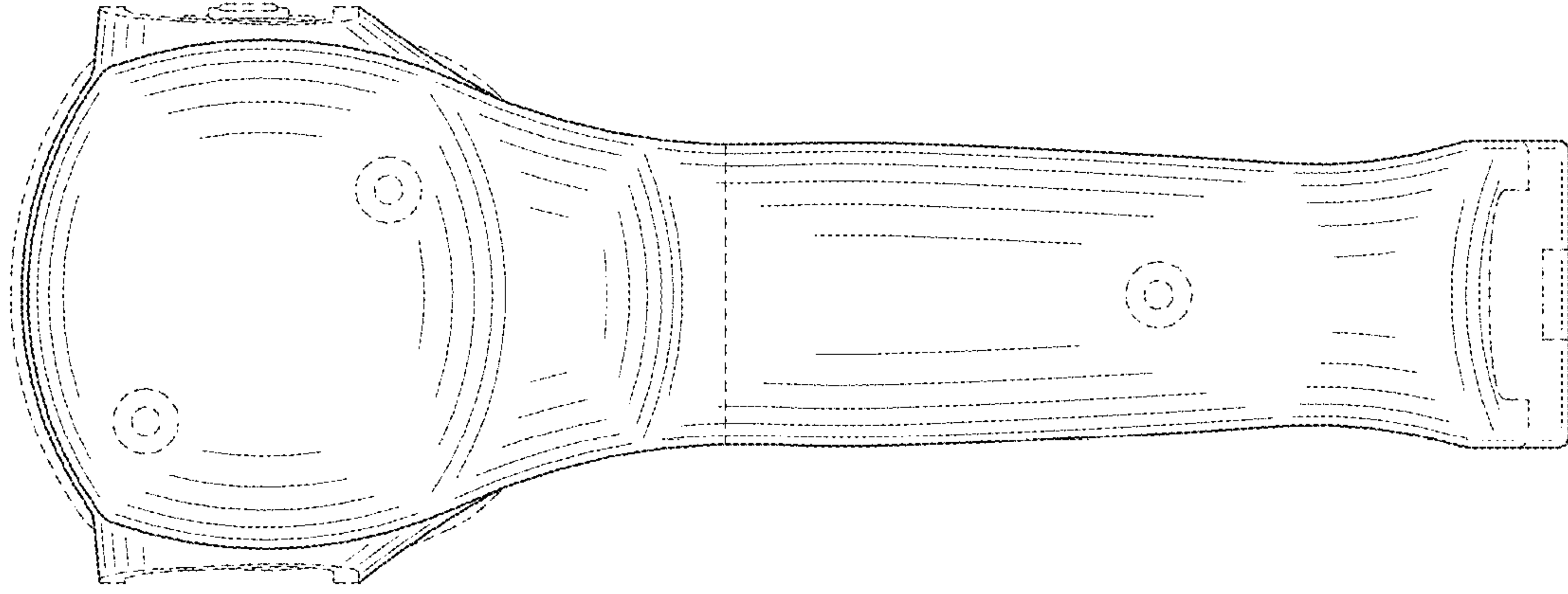


FIG. 5

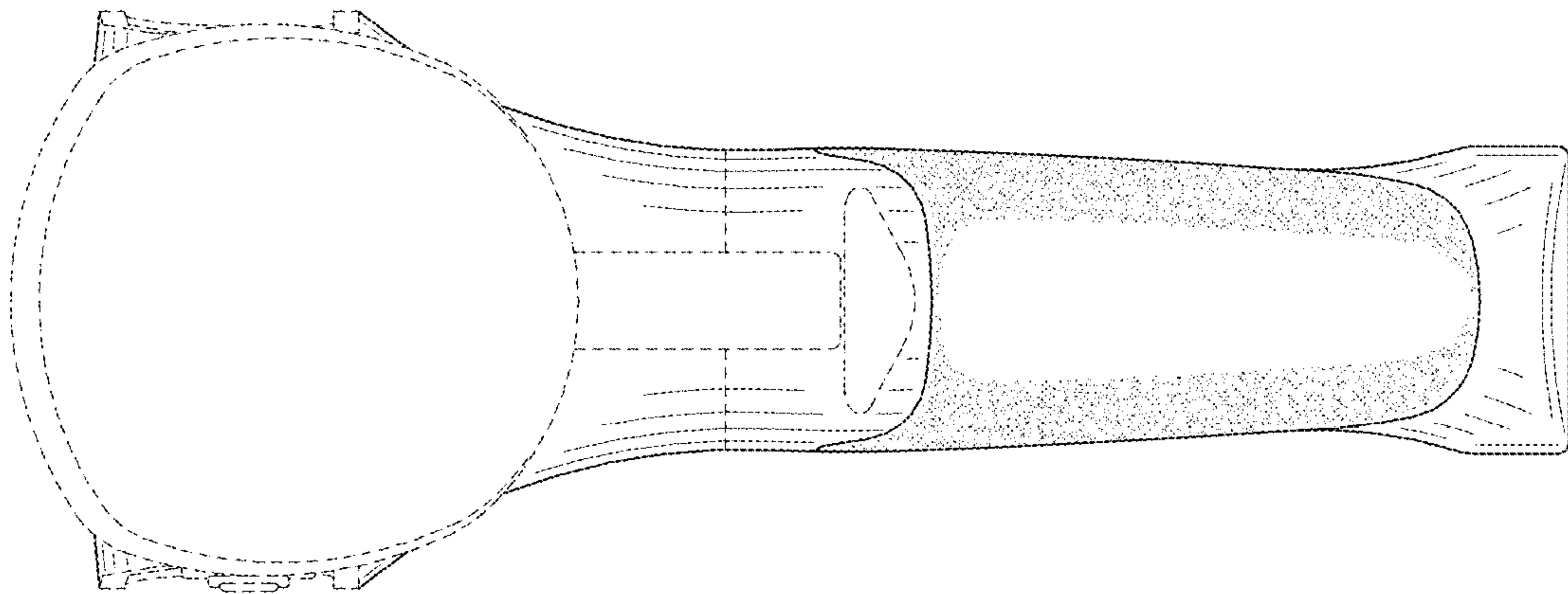


FIG. 4

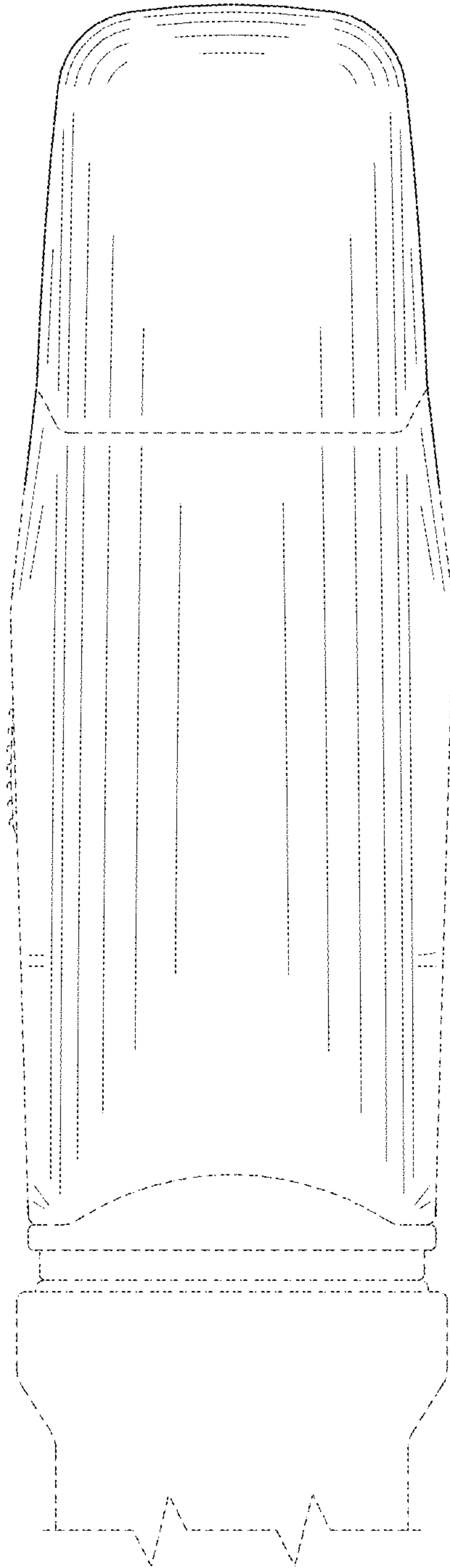


FIG. 6

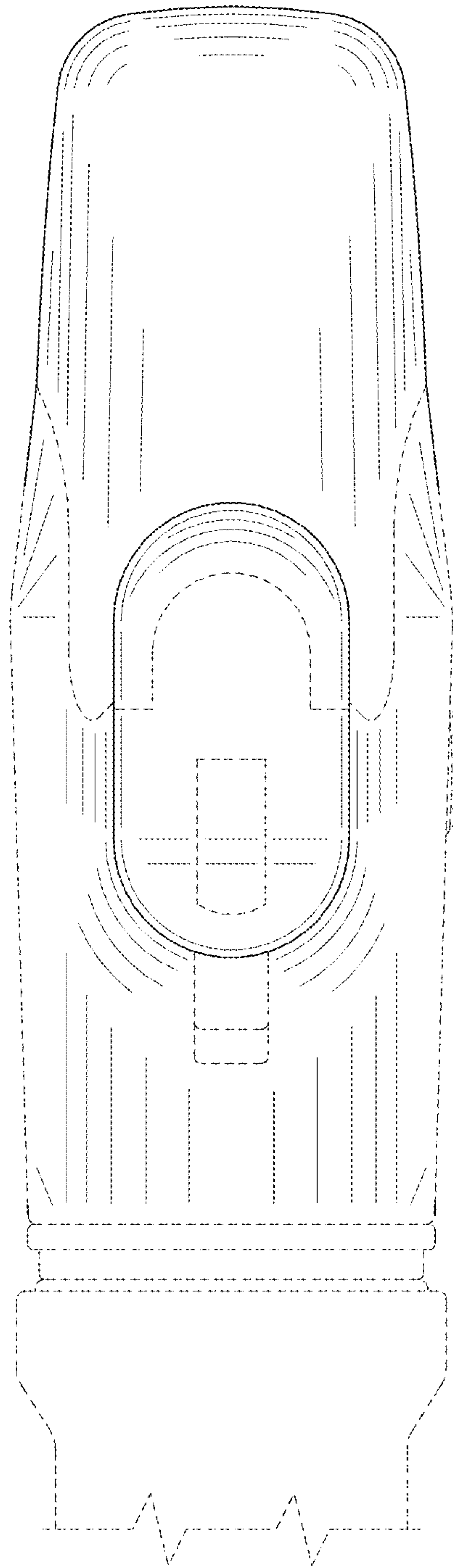


FIG. 7

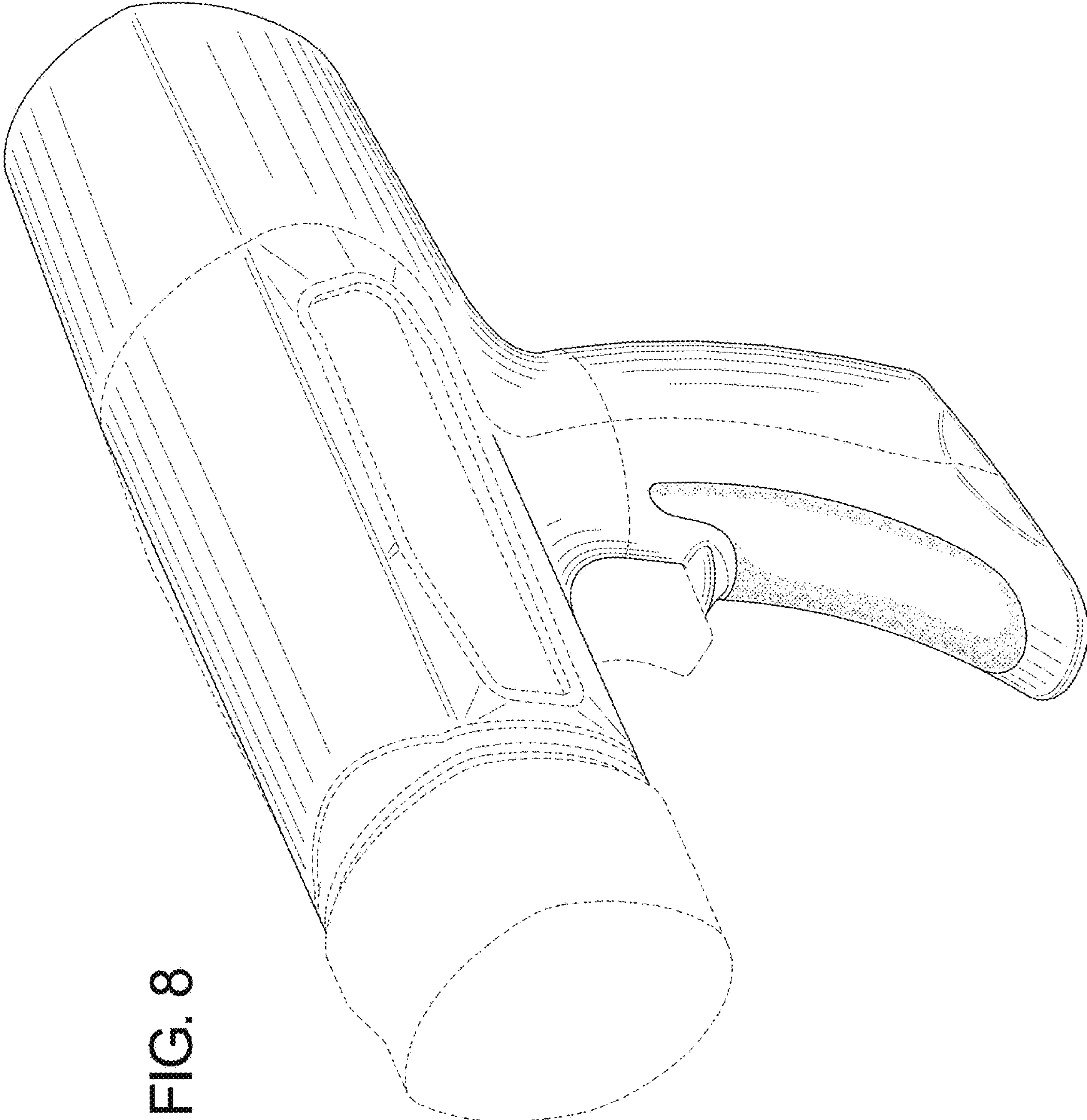


FIG. 8

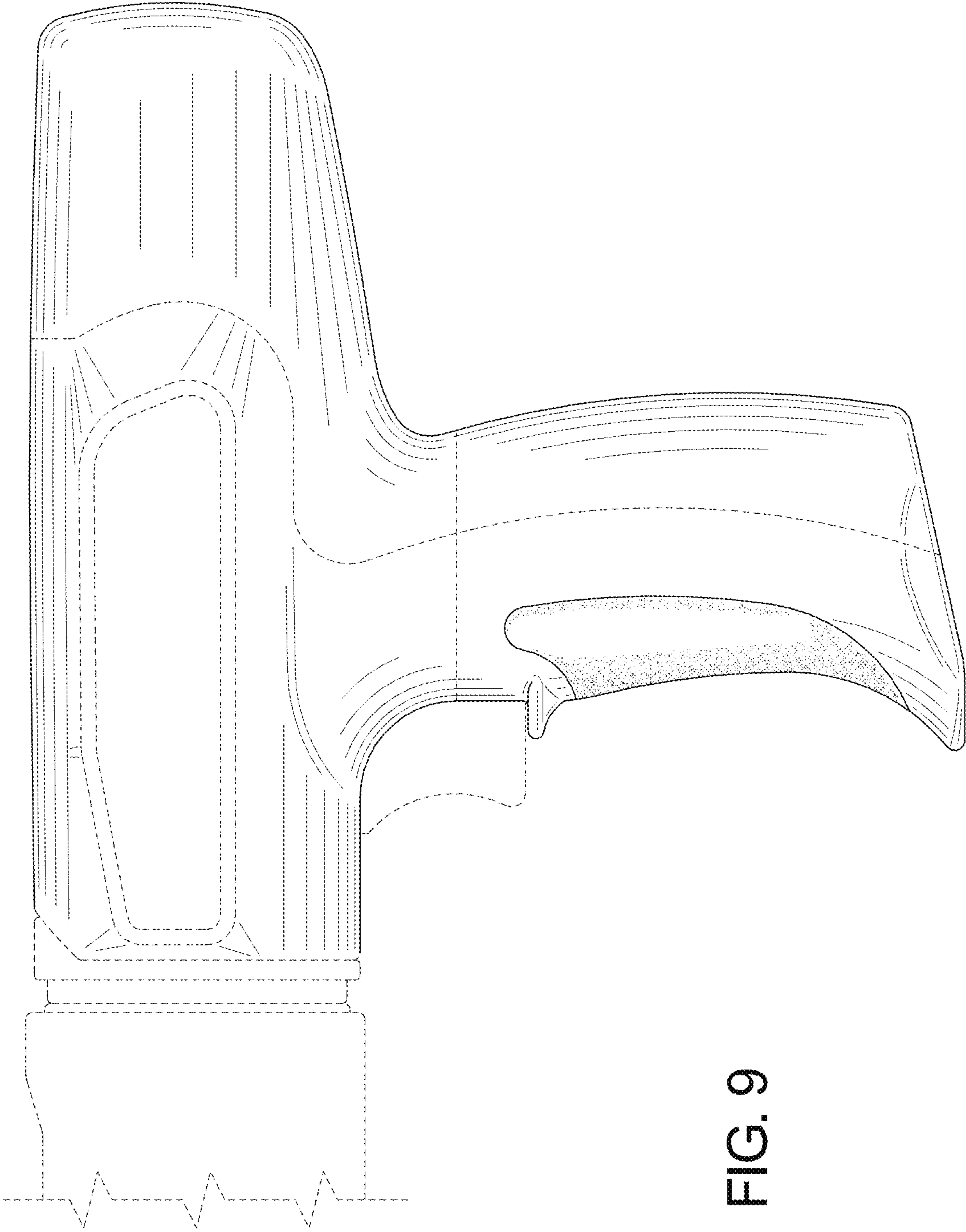


FIG. 9

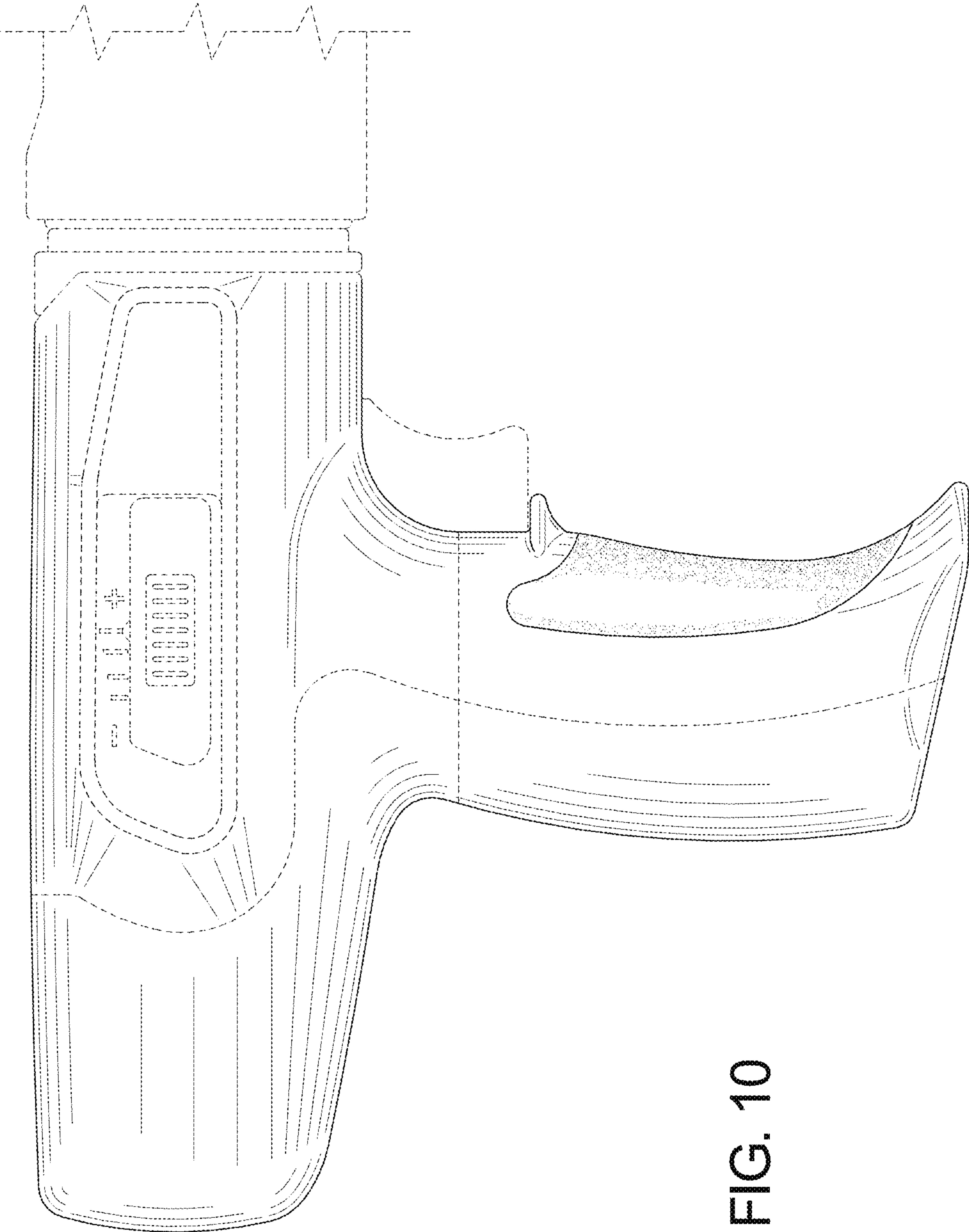


FIG. 10

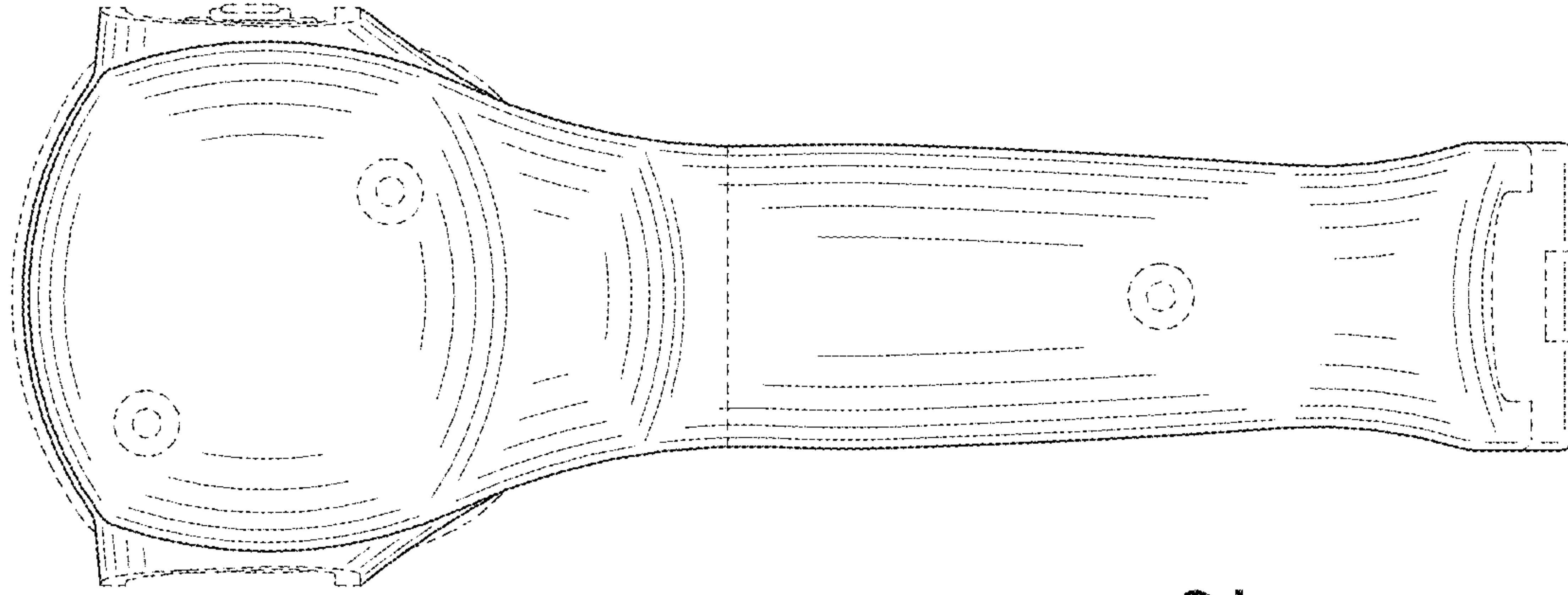


FIG. 12

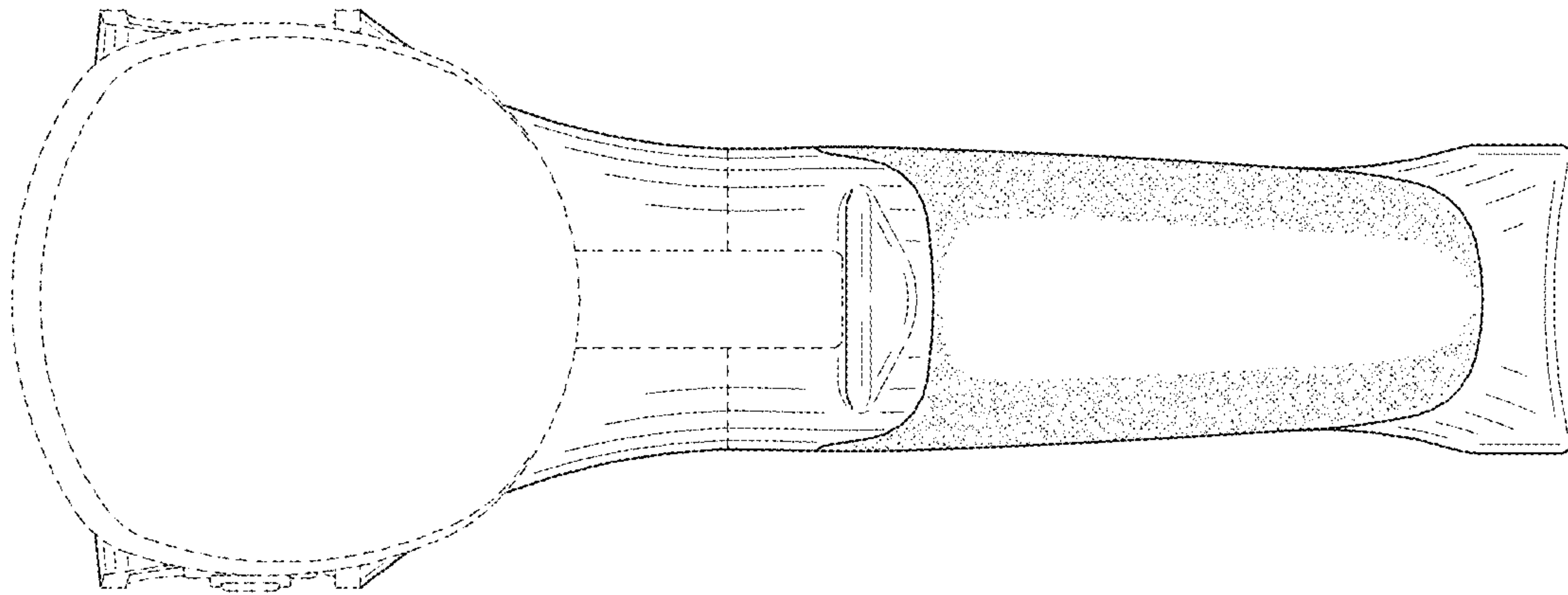


FIG. 11

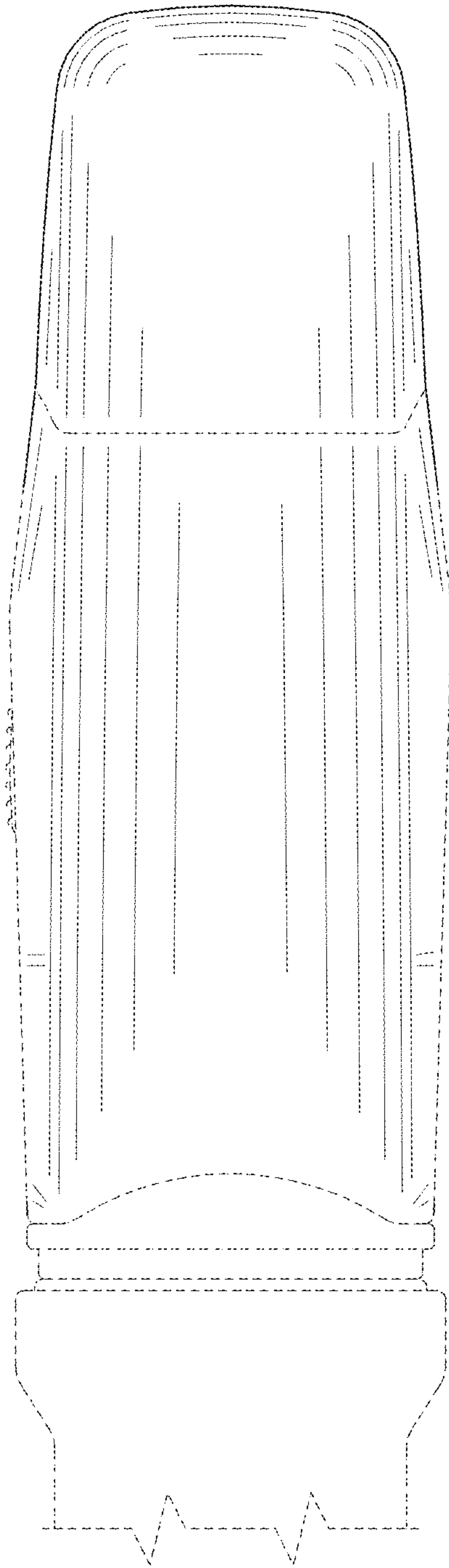


FIG. 13

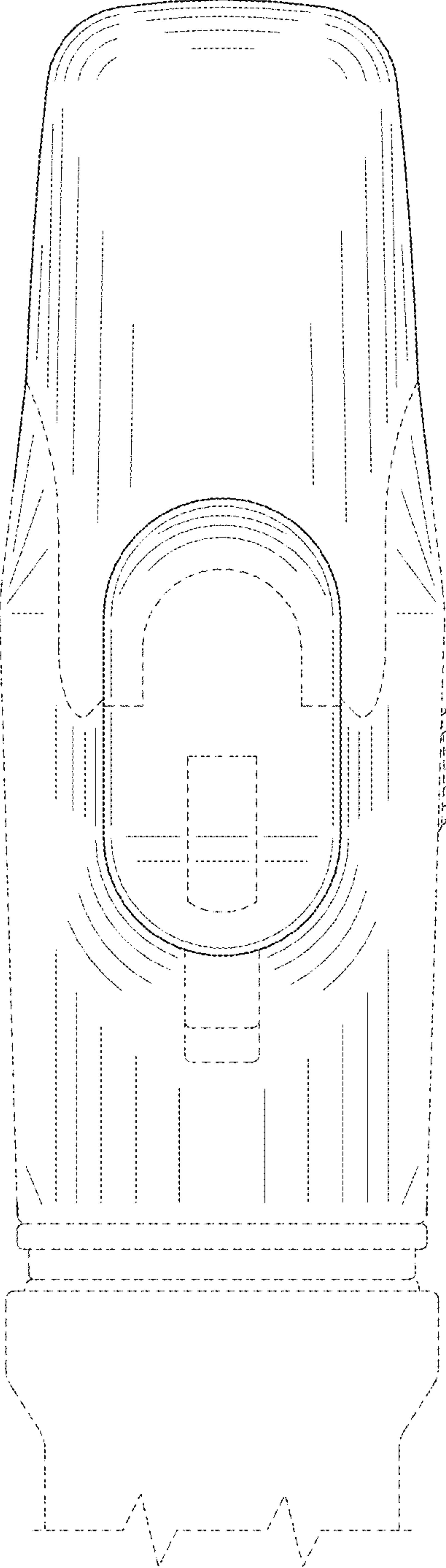


FIG. 14

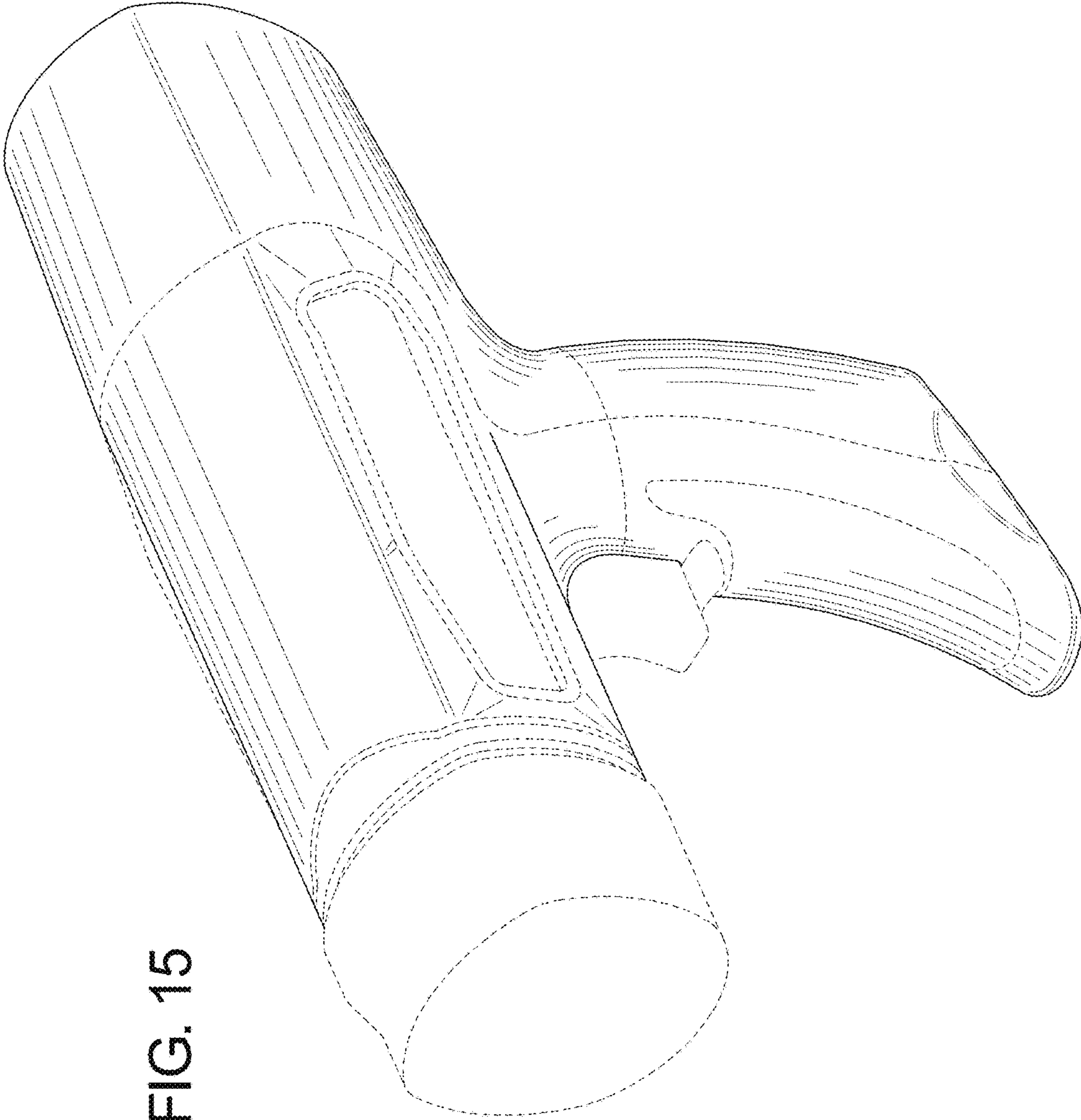


FIG. 15

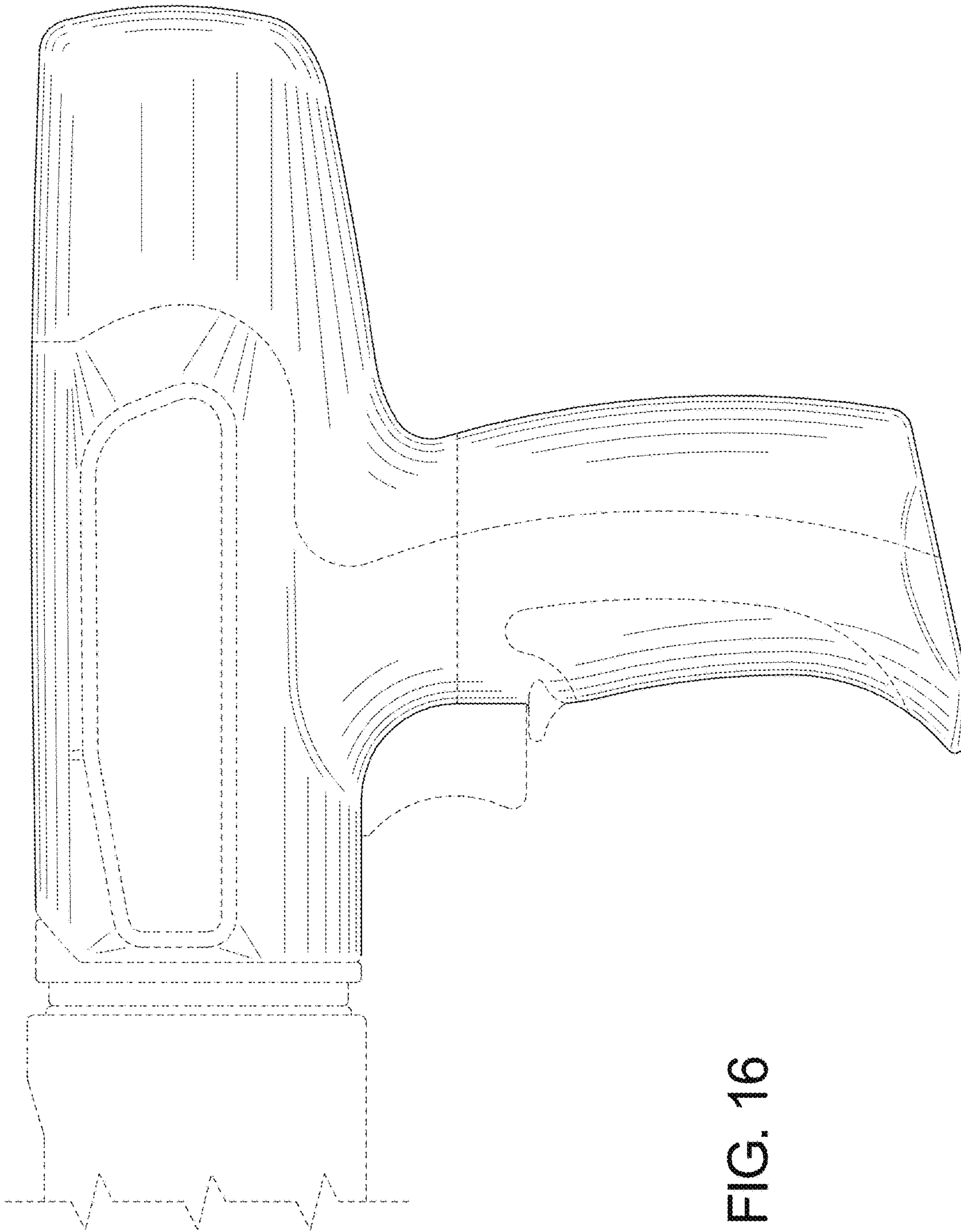


FIG. 16

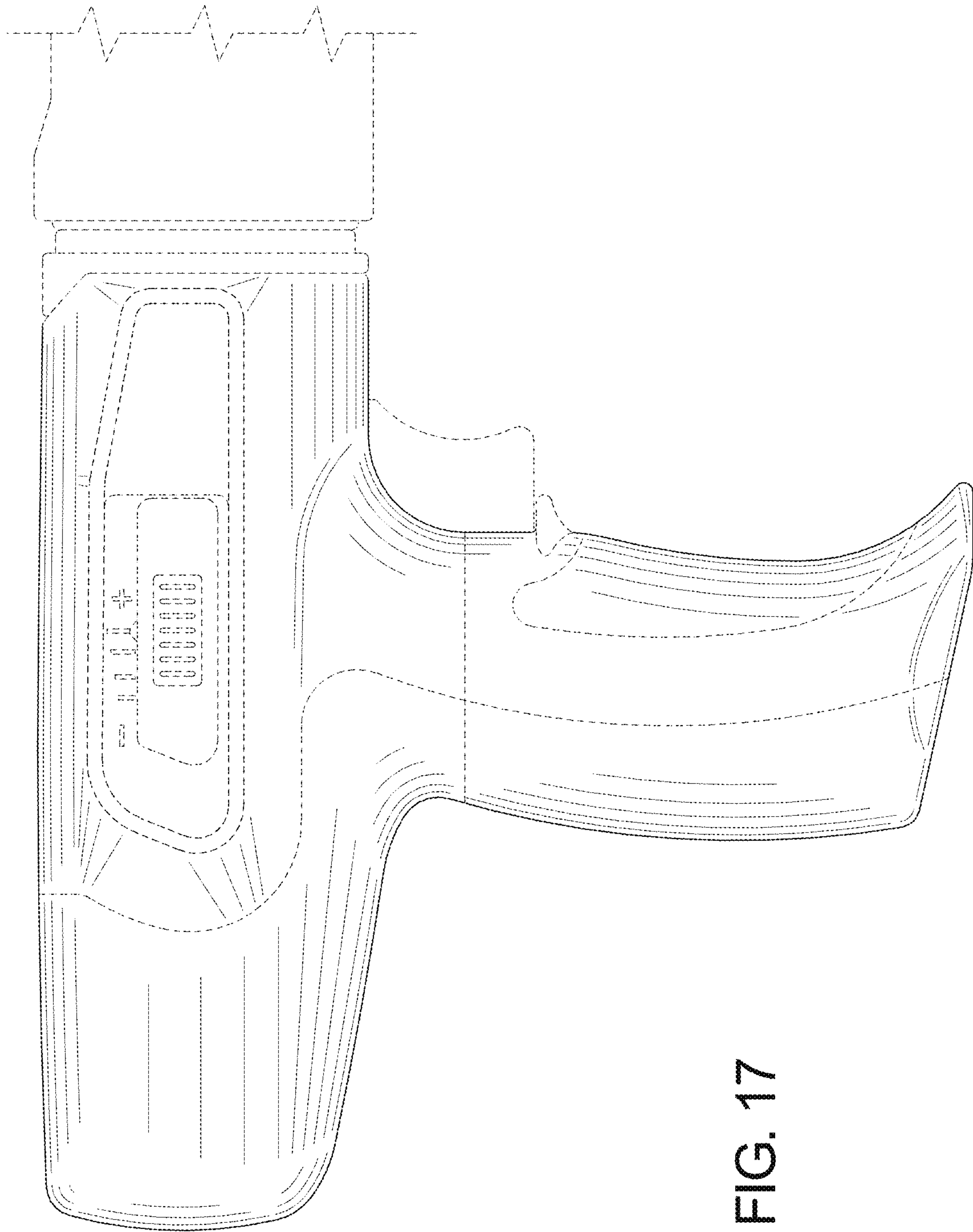


FIG. 17

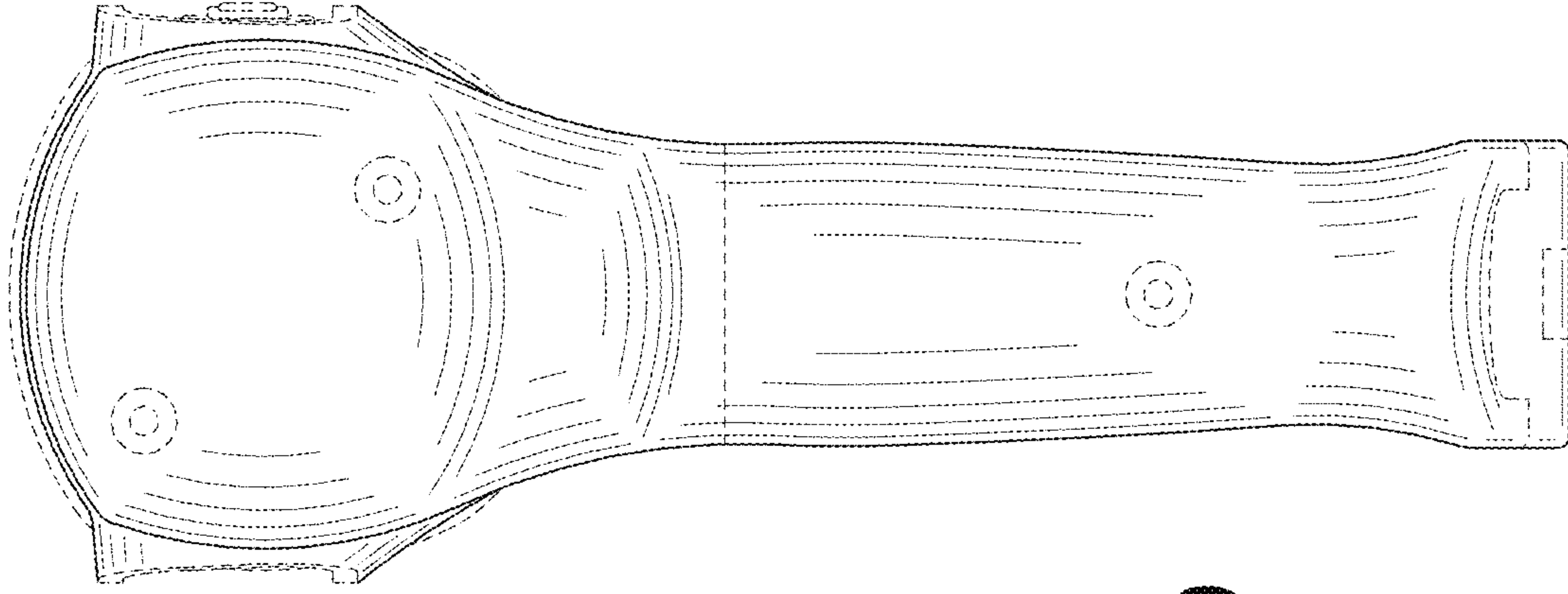


FIG. 19

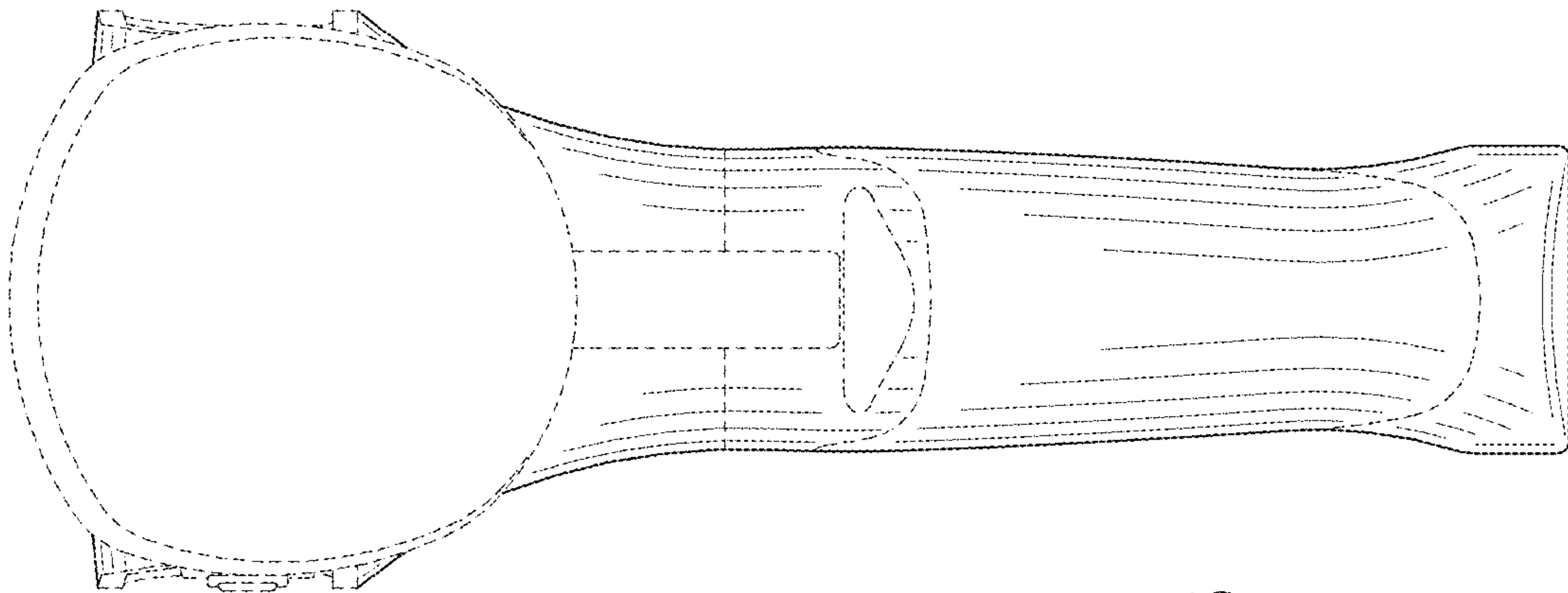


FIG. 18

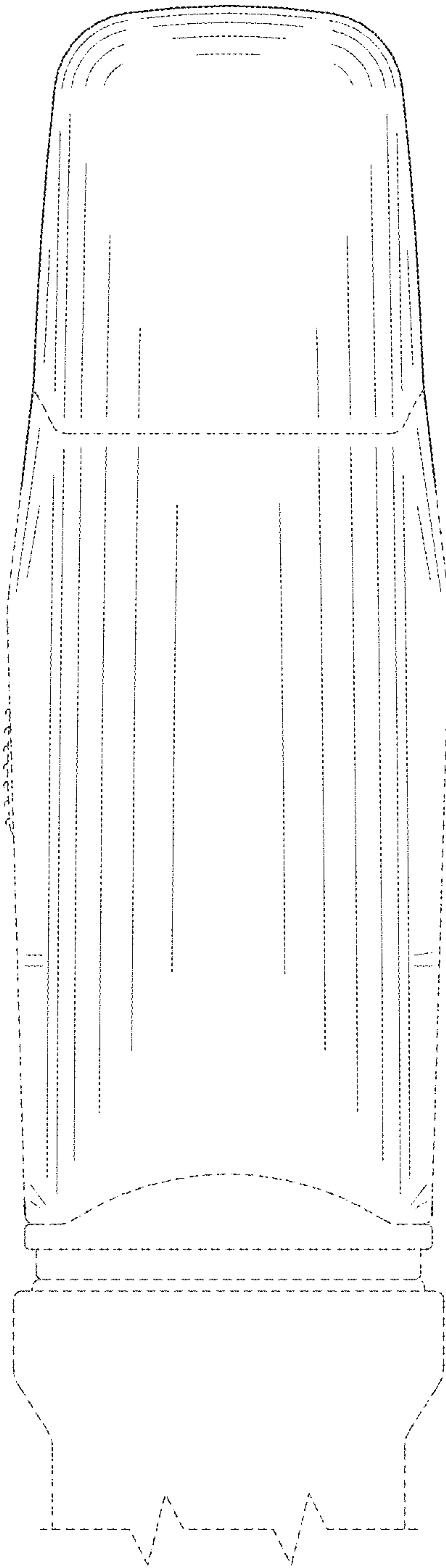


FIG. 20

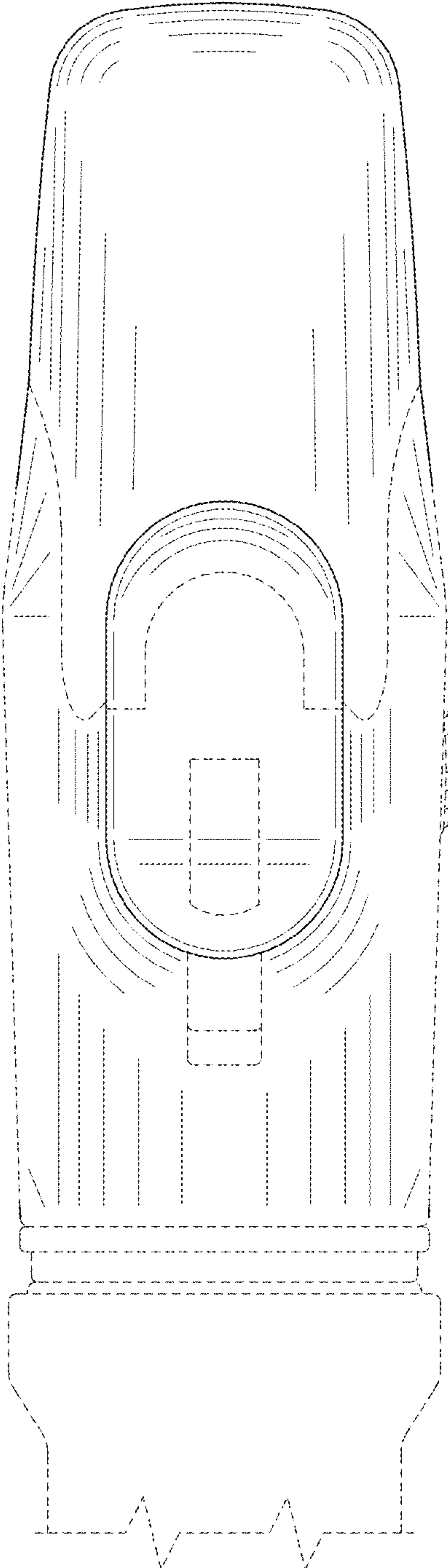


FIG. 21

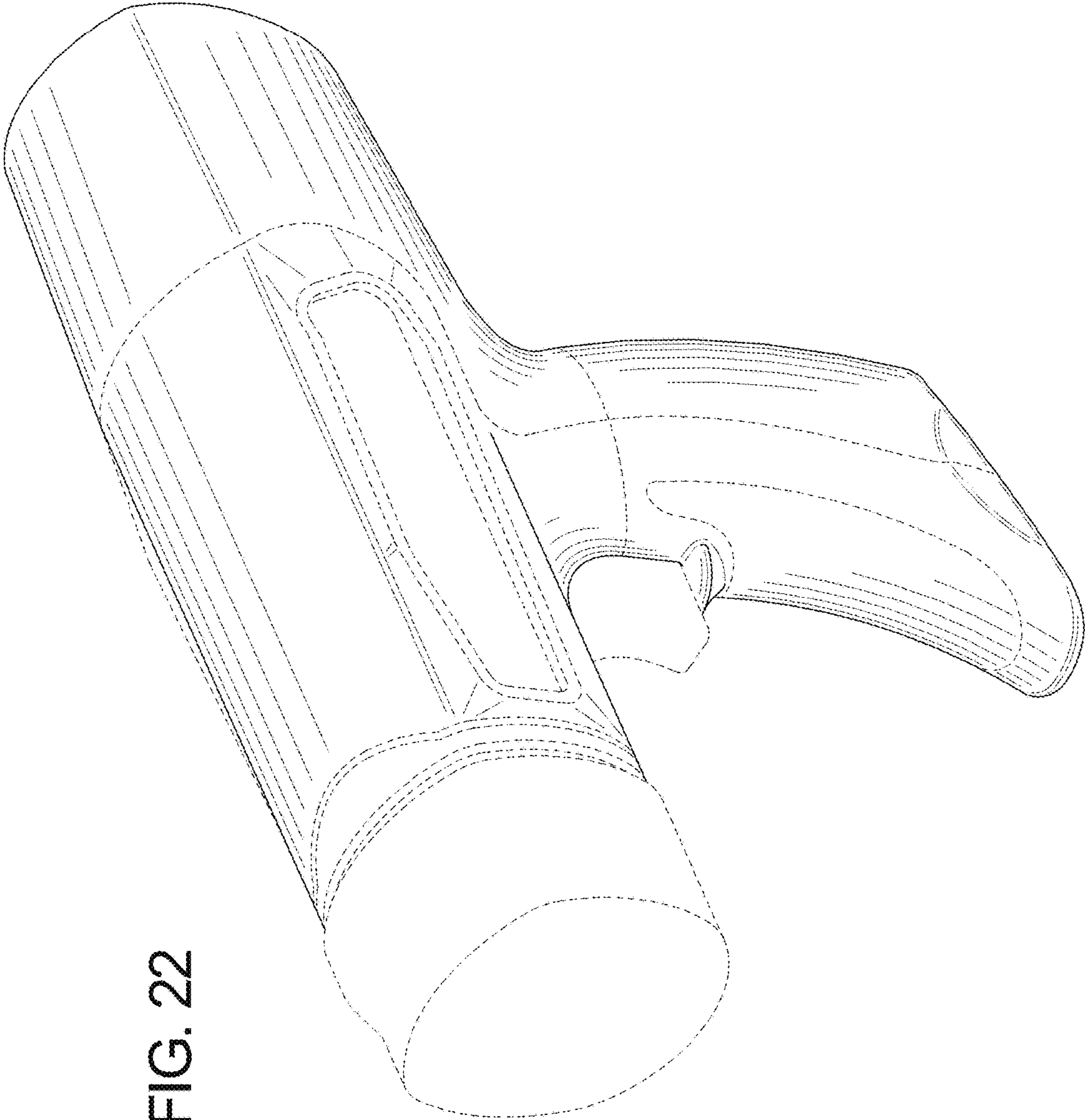
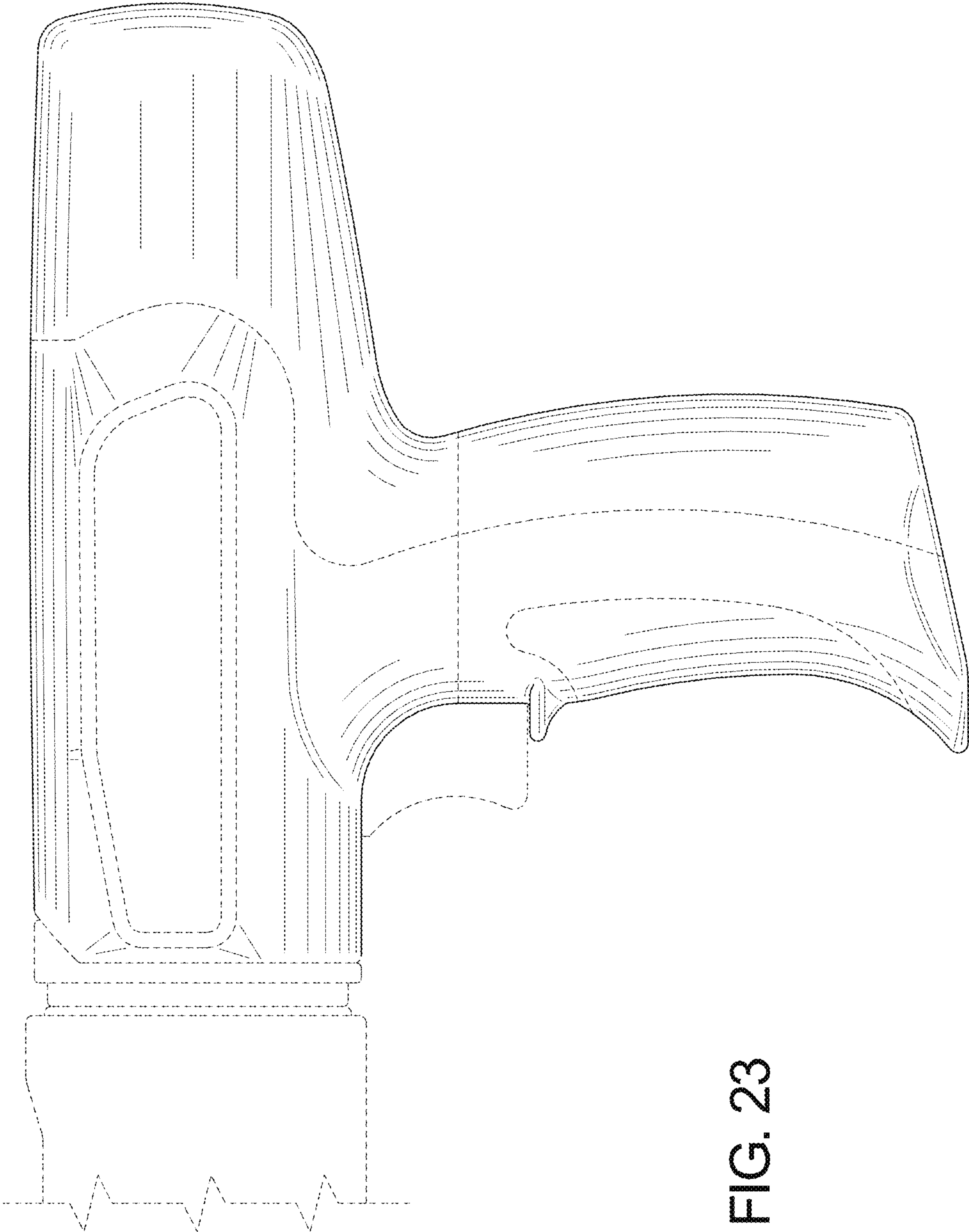


FIG. 22



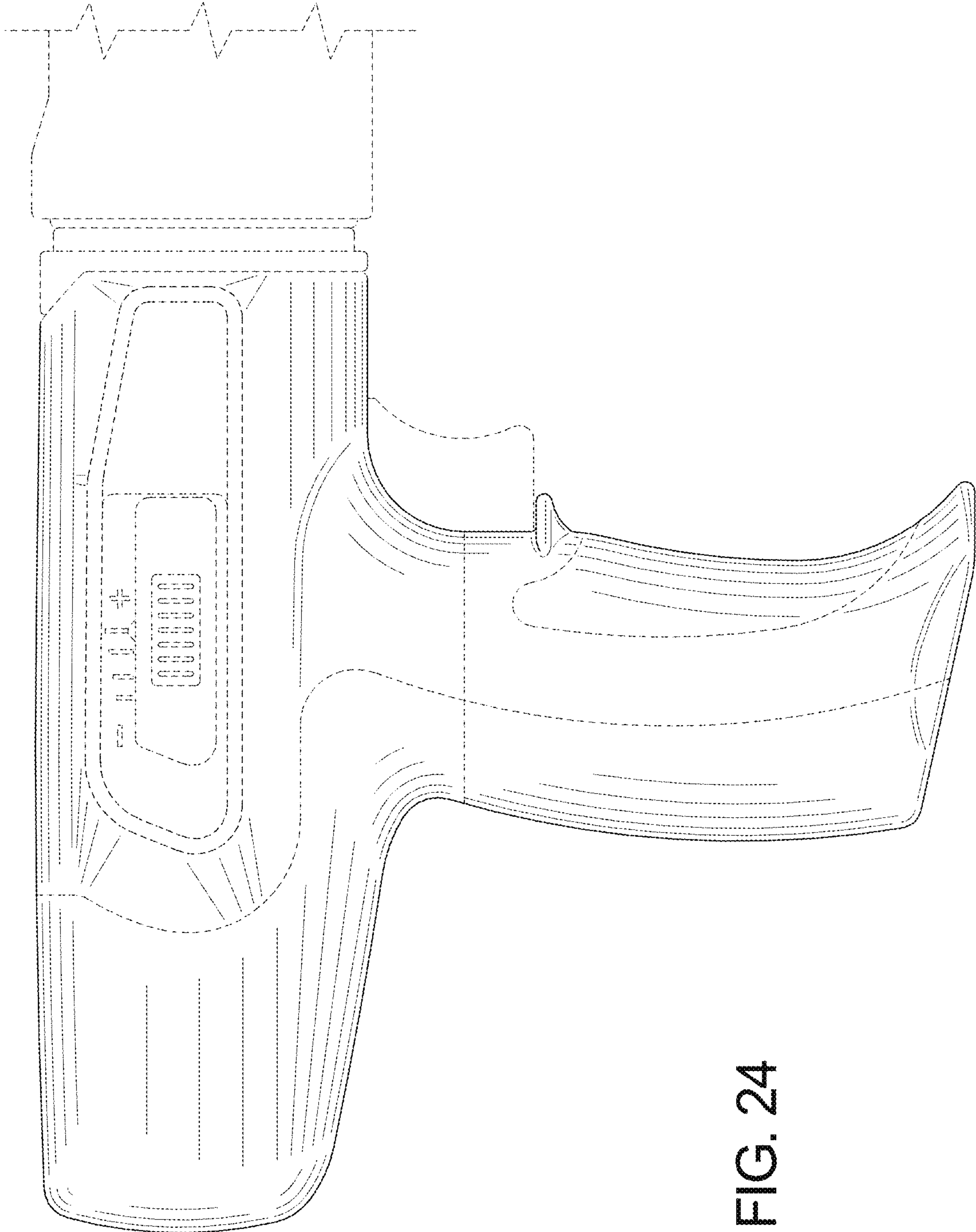


FIG. 24

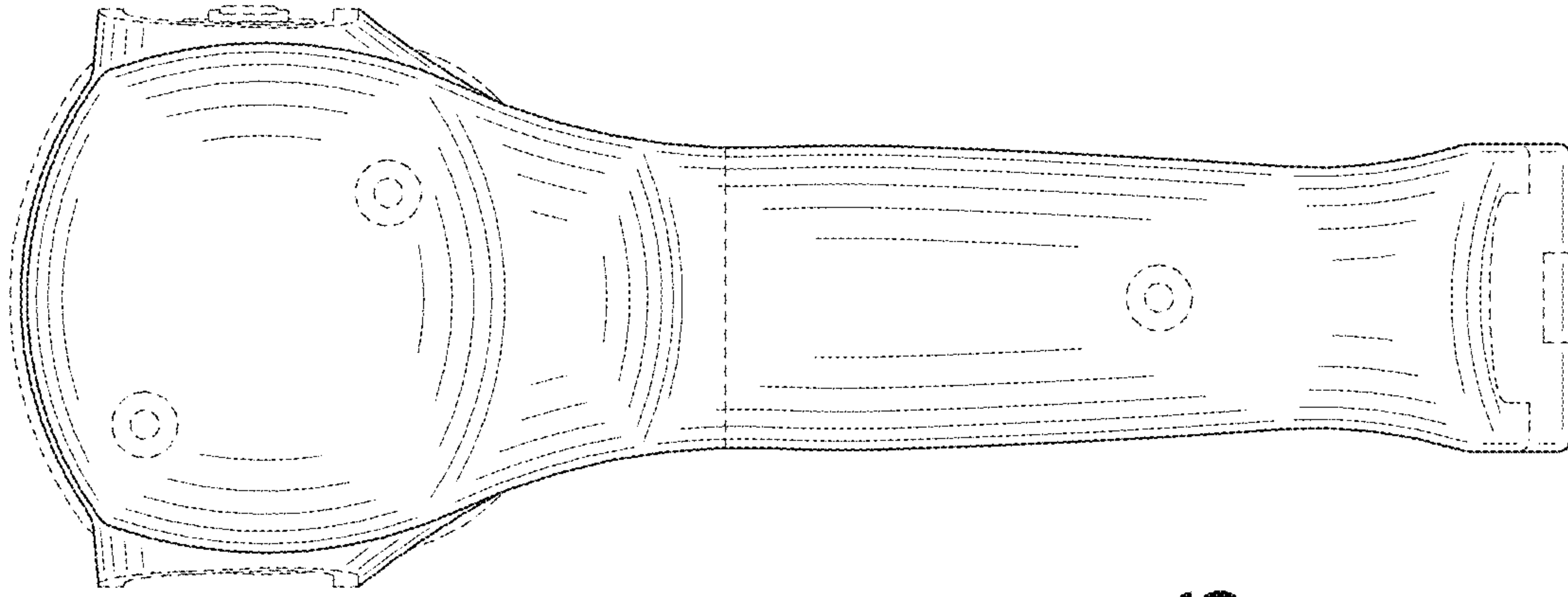


FIG. 26

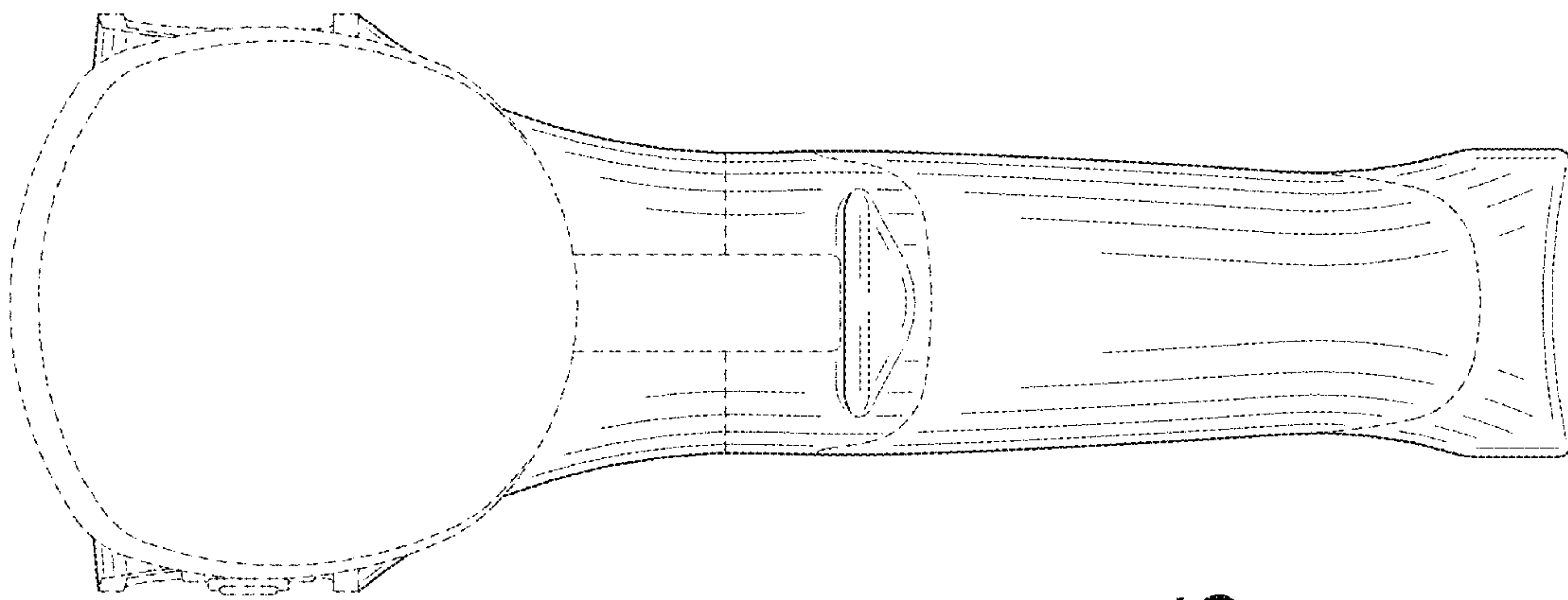


FIG. 25

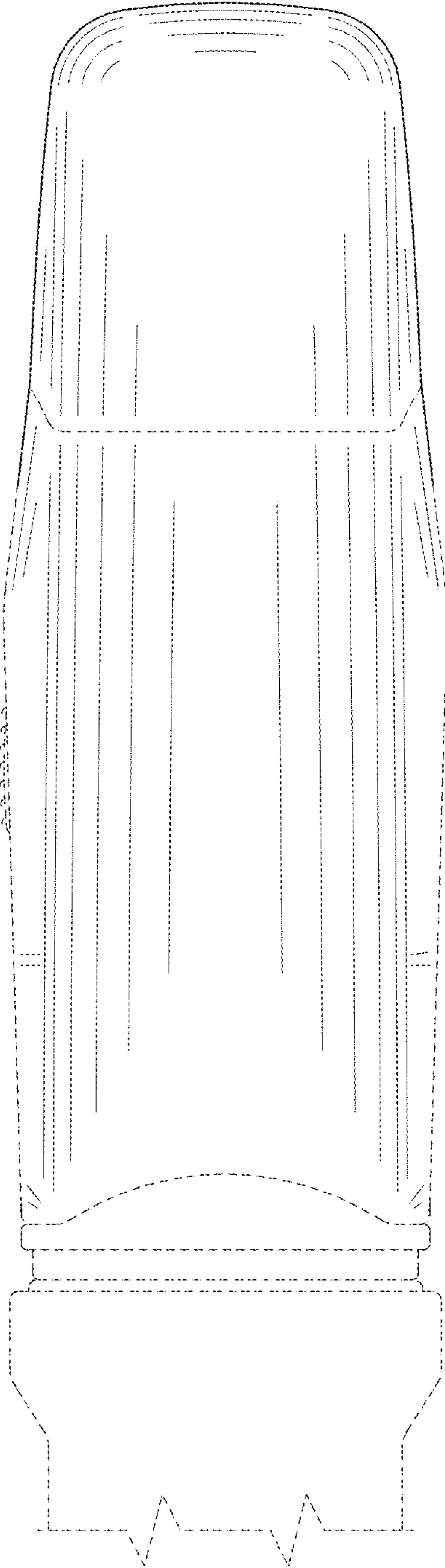


FIG. 27

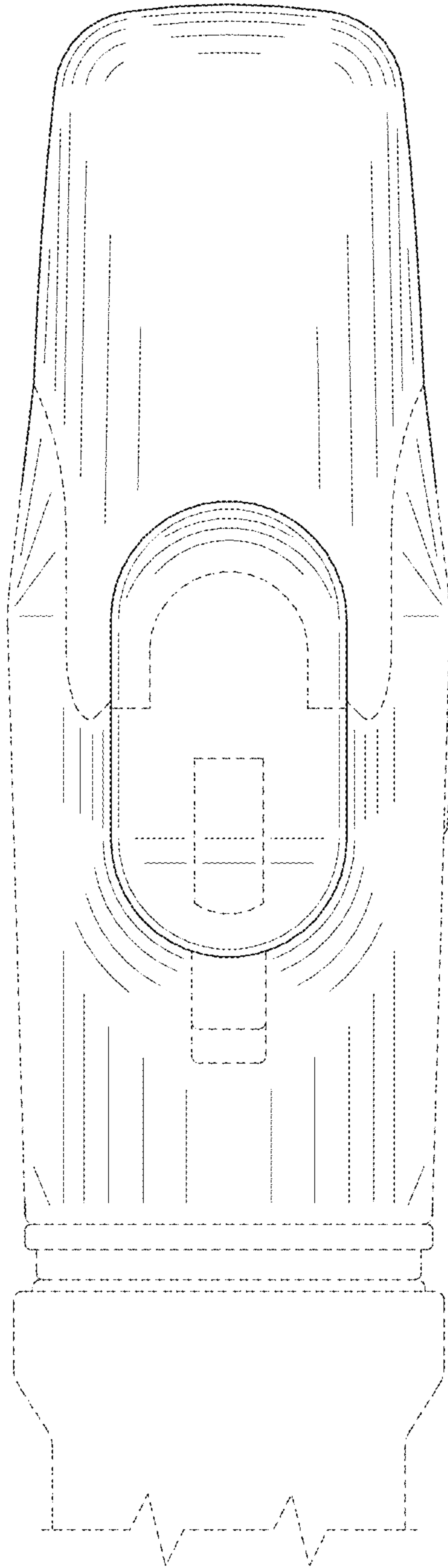


FIG. 28