



US00D790939S

(12) **United States Design Patent**
Elder

(10) **Patent No.:** **US D790,939 S**

(45) **Date of Patent:** **** Jul. 4, 2017**

(54) **RECIPROCATING SAW**

(71) Applicant: **Black & Decker Inc.**, New Britain, CT
(US)

(72) Inventor: **Christian V. Elder**, Baltimore, MD
(US)

(73) Assignee: **Black & Decker Inc.**, New Britain, CT
(US)

(**) Term: **15 Years**

(21) Appl. No.: **29/558,136**

(22) Filed: **Mar. 15, 2016**

(51) **LOC (10) Cl.** **08-03**

(52) **U.S. Cl.**
USPC **D8/64**

(58) **Field of Classification Search**
USPC D8/69, 68, 67, 66, 65, 64, 62, 61; 30/92,
30/394, 393, 392, 377, 376, 371; 74/50,
74/49; 173/217, 216; 83/699.21;
446/145
CPC B26B 7/00; B23D 51/16; B23D 51/10; B25F
5/02; B62B 7/00
See application file for complete search history.

(56) **References Cited**

U.S. PATENT DOCUMENTS

D471,417 S *	3/2003	Chunn	D8/64
D471,418 S *	3/2003	Chunn	D8/64
D474,088 S *	5/2003	Chunn	D8/64
D480,616 S *	10/2003	Welsh	D8/64
D524,131 S *	7/2006	Chunn	D8/64
D527,597 S *	9/2006	Andriolo	D8/64
D551,930 S *	10/2007	Yamada	D8/64
D560,988 S *	2/2008	Watson	D8/64
D591,574 S *	5/2009	DiPasquale	D8/64
D596,005 S *	7/2009	Schoch	D8/64
D688,928 S *	9/2013	Busschaert	D8/64
D705,028 S *	5/2014	Vitantonio	D8/64
D705,627 S *	5/2014	Schoch	D8/64

* cited by examiner

Primary Examiner — Austin Murphy

(74) *Attorney, Agent, or Firm* — Michael Aronoff

(57) **CLAIM**

The ornamental design for a reciprocating saw, as shown and described.

DESCRIPTION

FIG. 1 is a front perspective view, from above, of a reciprocating saw of the present invention.

FIG. 2 is another front perspective view, from above, of the reciprocating saw of FIG. 1.

FIG. 3 is a rear perspective view, from above, of the reciprocating saw of FIG. 1.

FIG. 4 is another rear perspective view, from above, of the reciprocating saw of FIG. 1.

FIG. 5 is a front perspective view, from below, of the reciprocating saw of FIG. 1.

FIG. 6 is another front perspective view, from below, of the reciprocating saw of FIG. 1.

FIG. 7 is a rear perspective view, from below, of the reciprocating saw of FIG. 1.

FIG. 8 is another rear perspective view, from below, of the reciprocating saw of FIG. 1.

FIG. 9 is a rear elevation view of the reciprocating saw of FIG. 1.

FIG. 10 is a front elevation view of the reciprocating saw of FIG. 1.

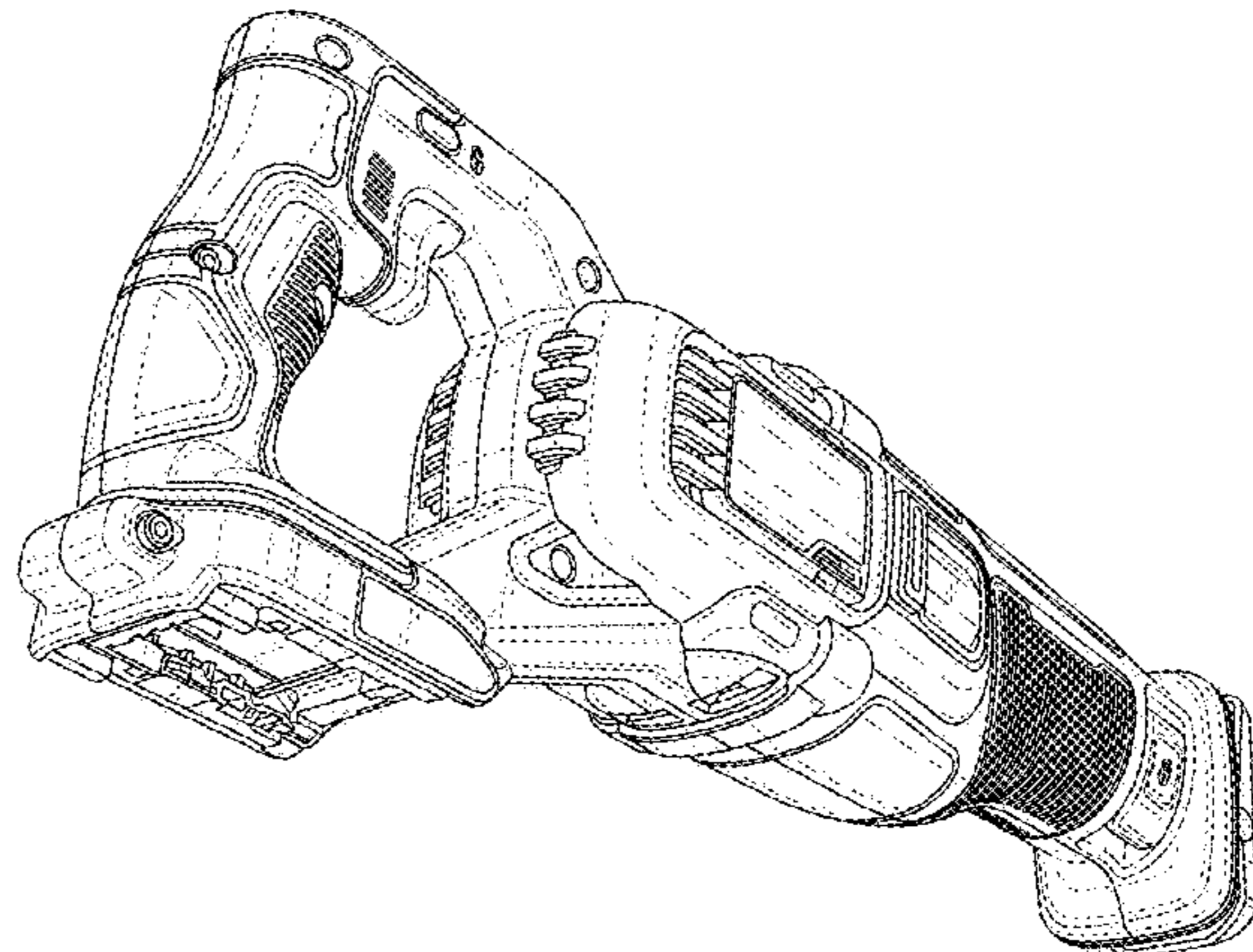
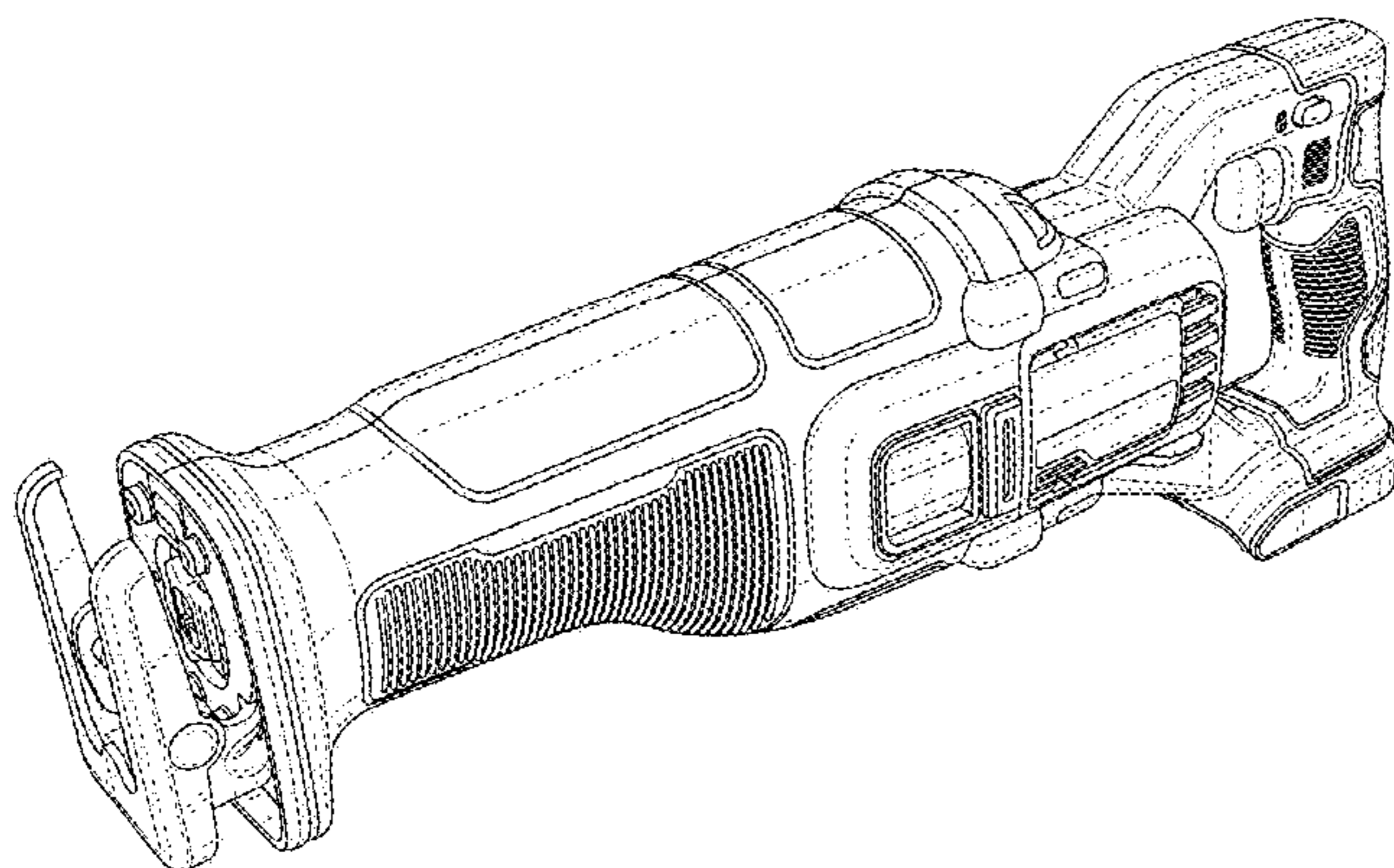
FIG. 11 is a side elevation view of the reciprocating saw of FIG. 1.

FIG. 12 is another side elevation view of the reciprocating saw of FIG. 1.

FIG. 13 is a top plan view of the reciprocating saw of FIG. 1; and,

FIG. 14 is a bottom plan view of the reciprocating saw of FIG. 1.

1 Claim, 13 Drawing Sheets



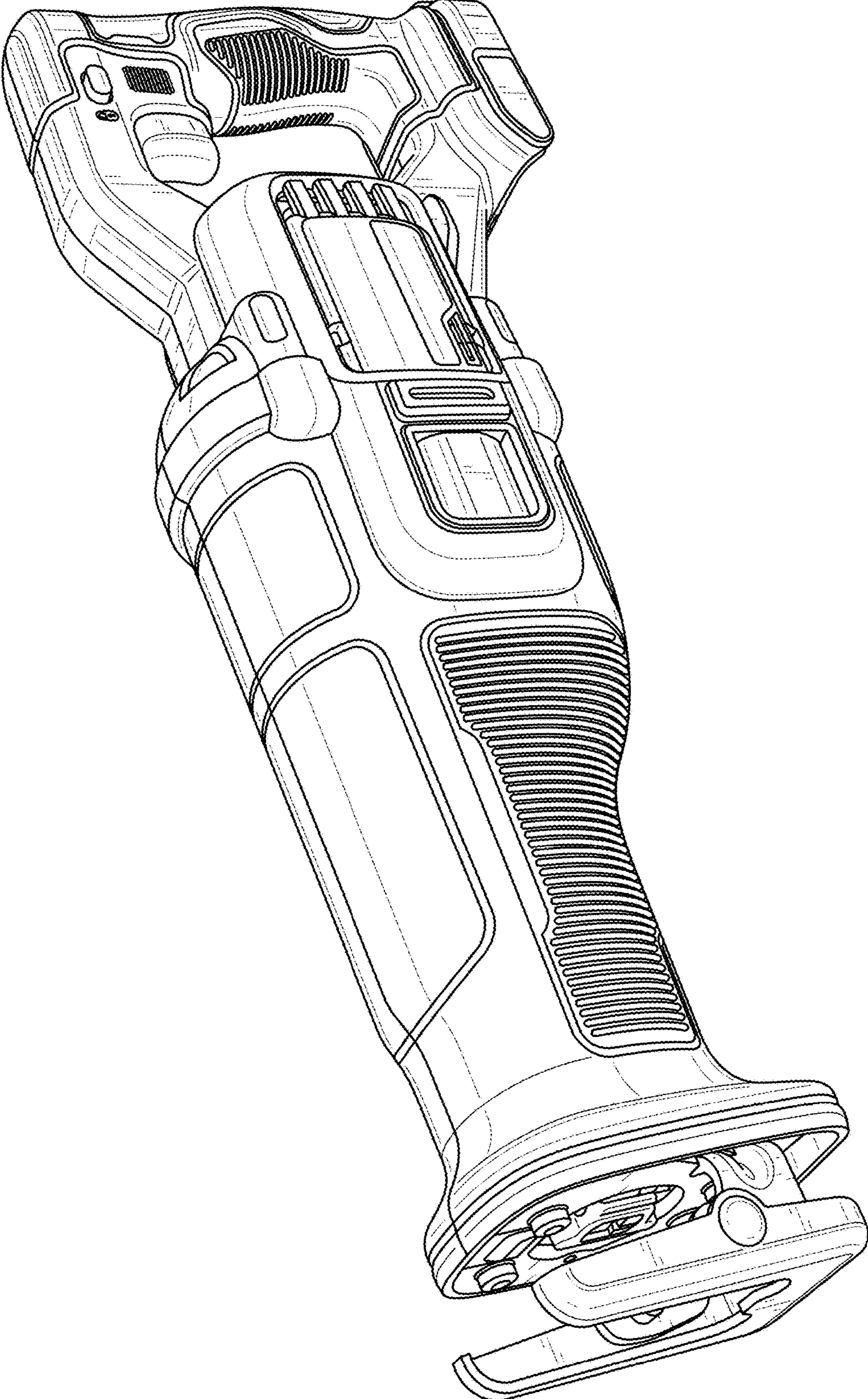


Figure 1

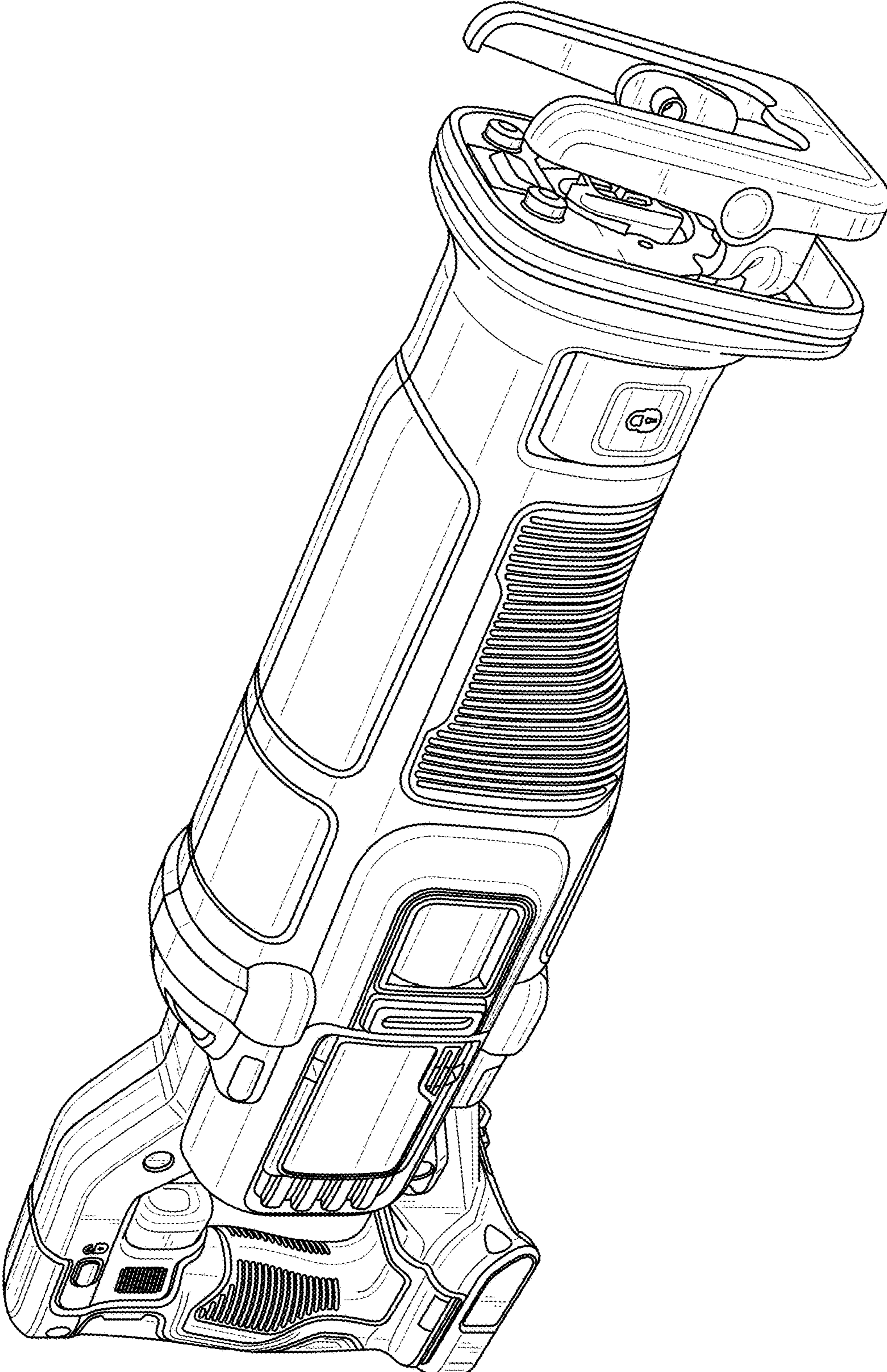


Figure 2

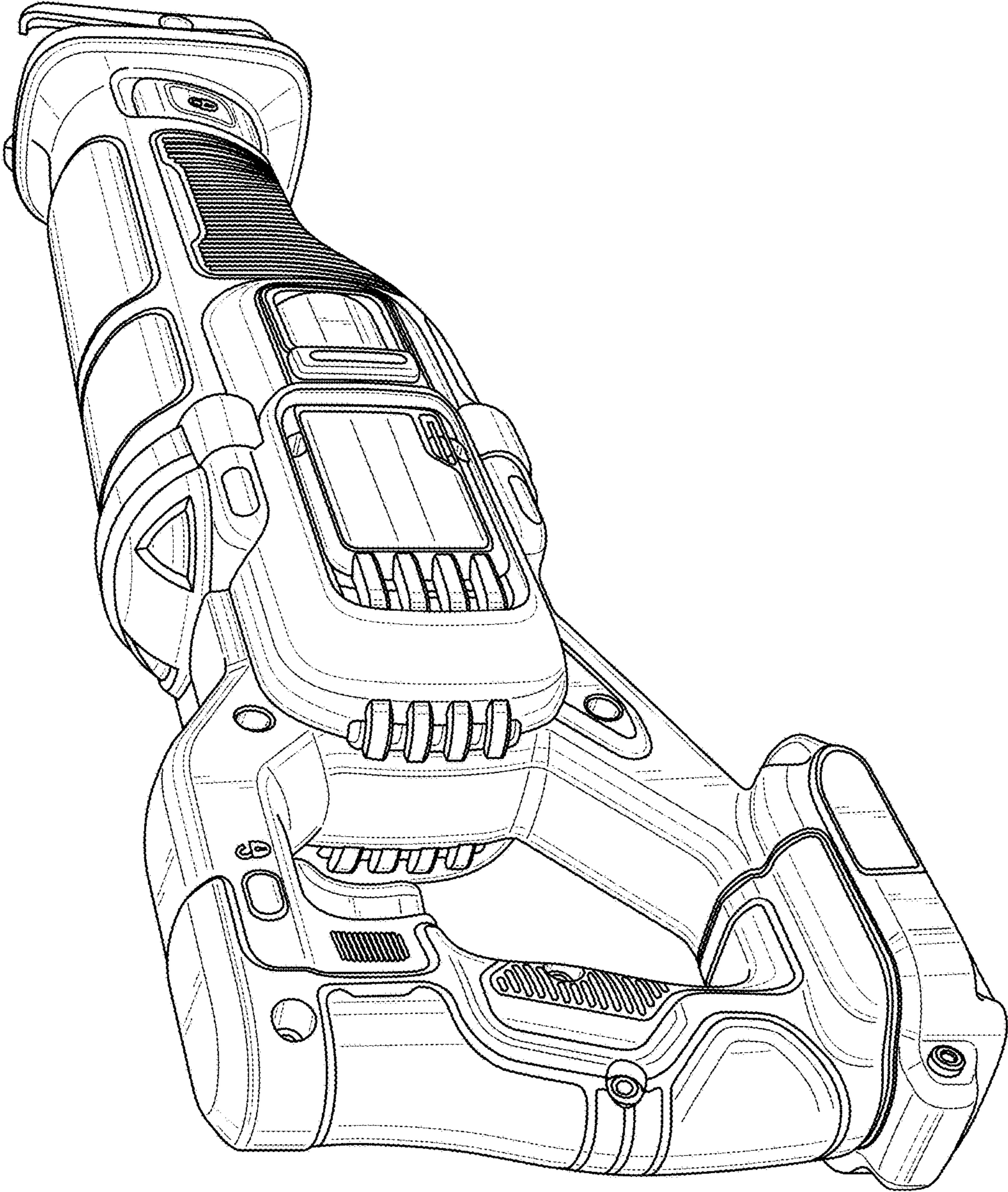


Figure 3

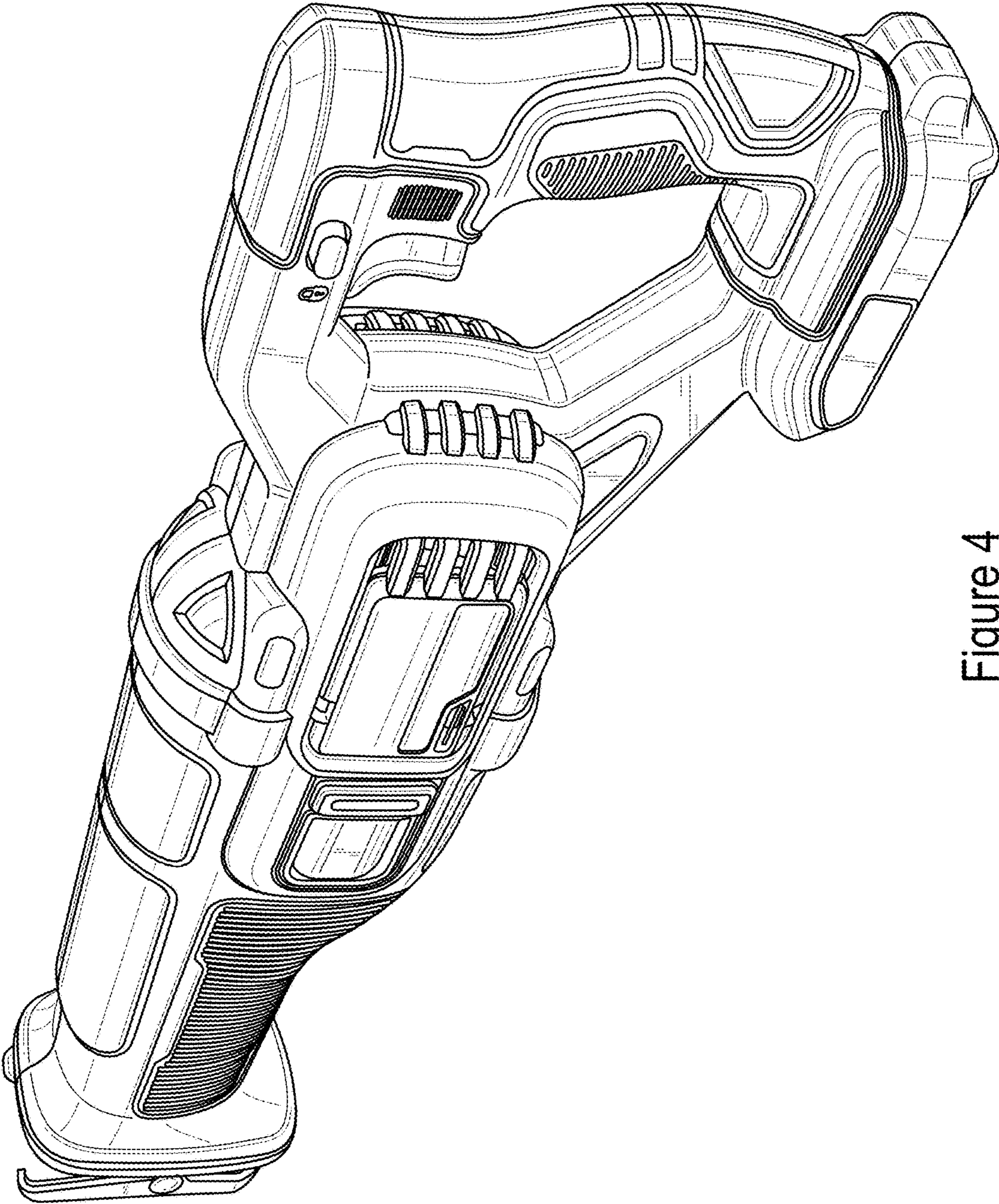


Figure 4

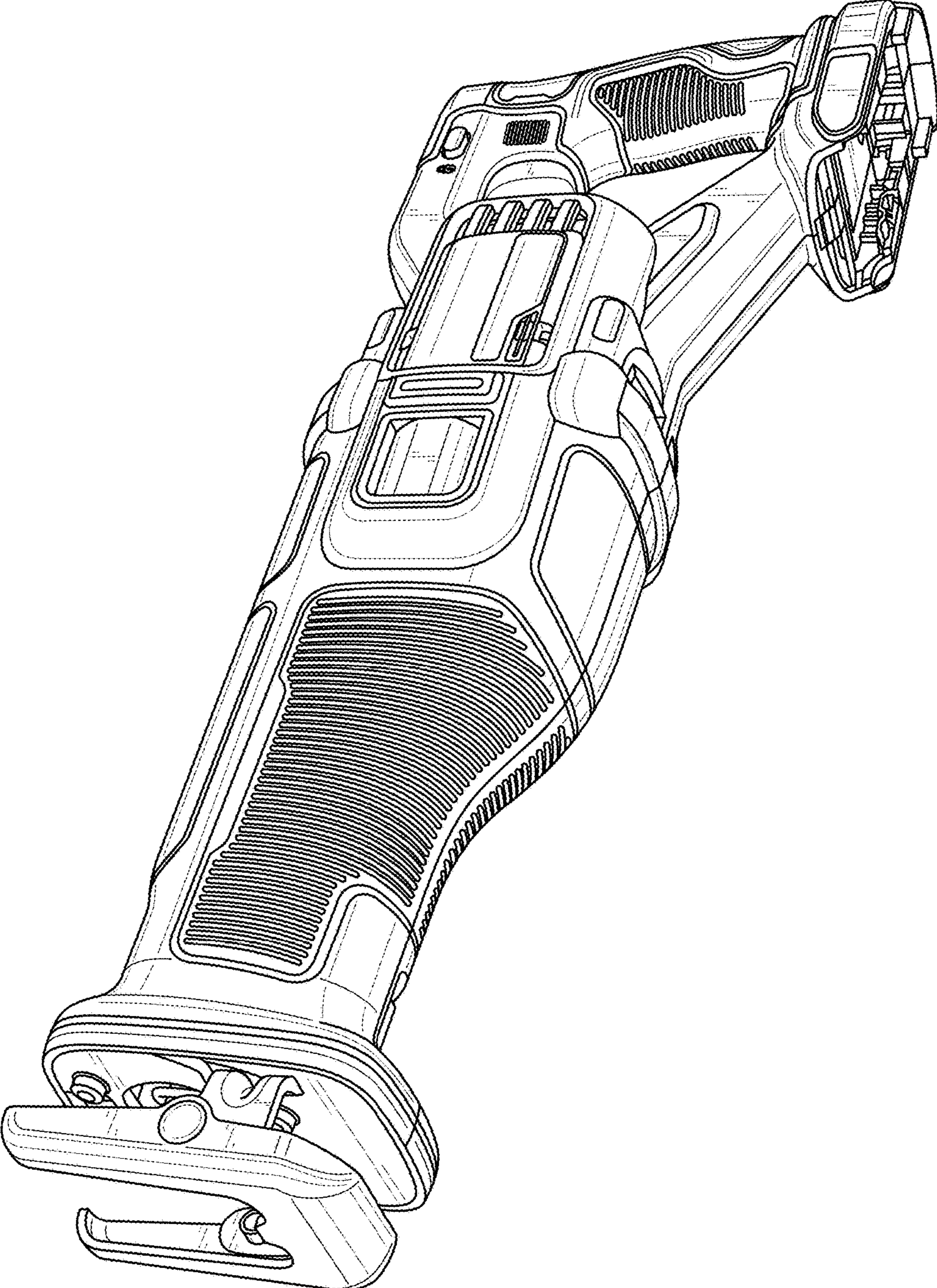


Figure 5

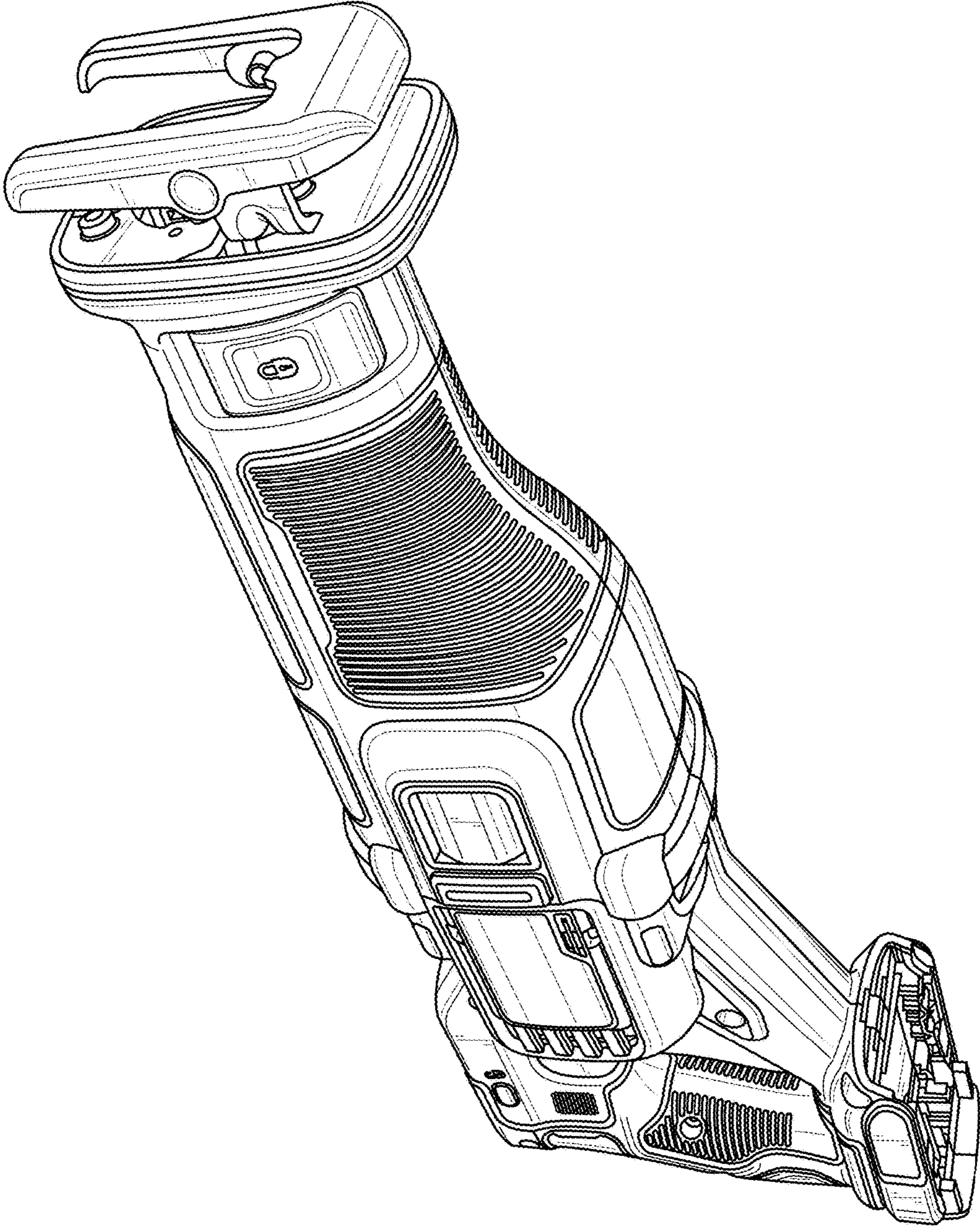


Figure 6

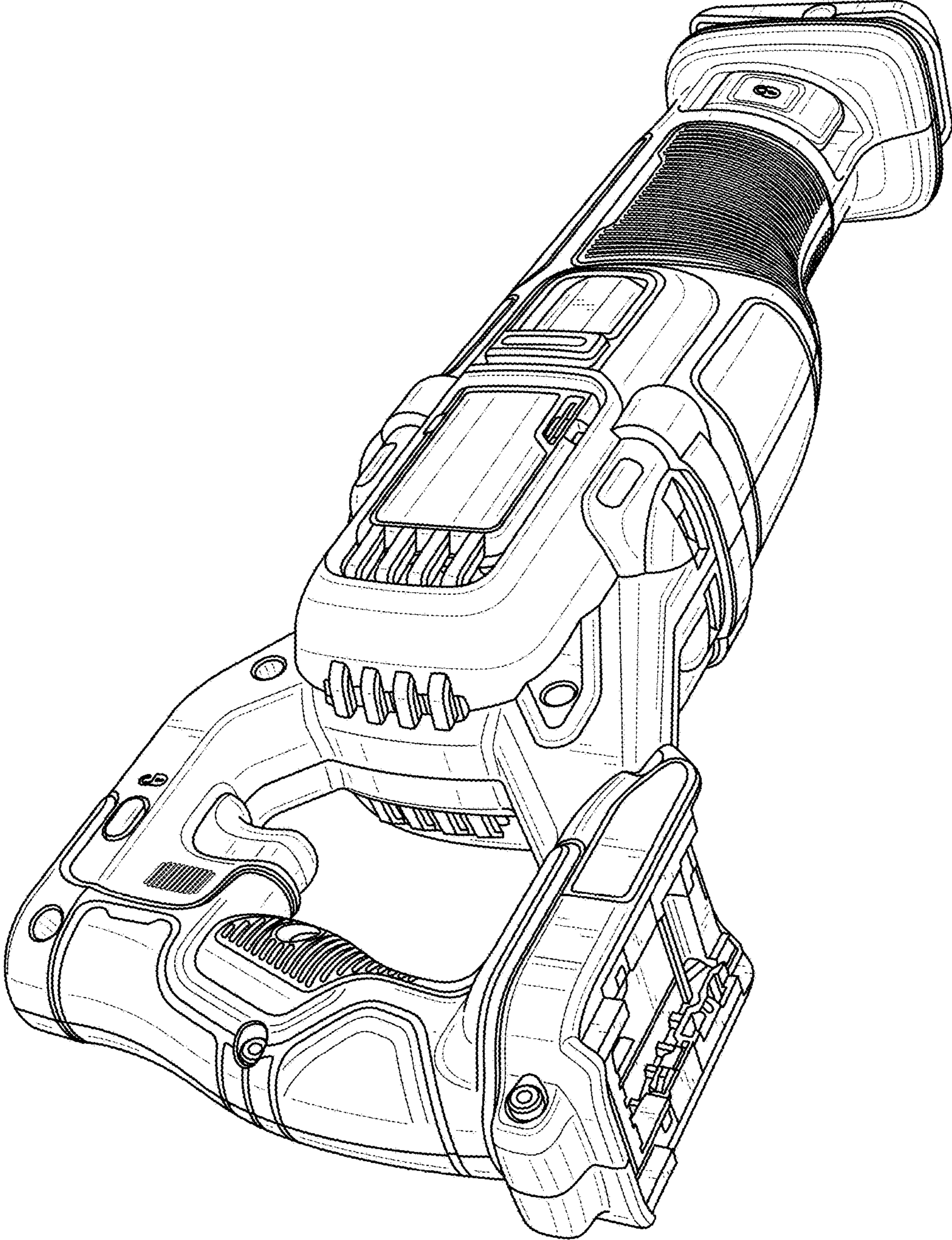


Figure 7

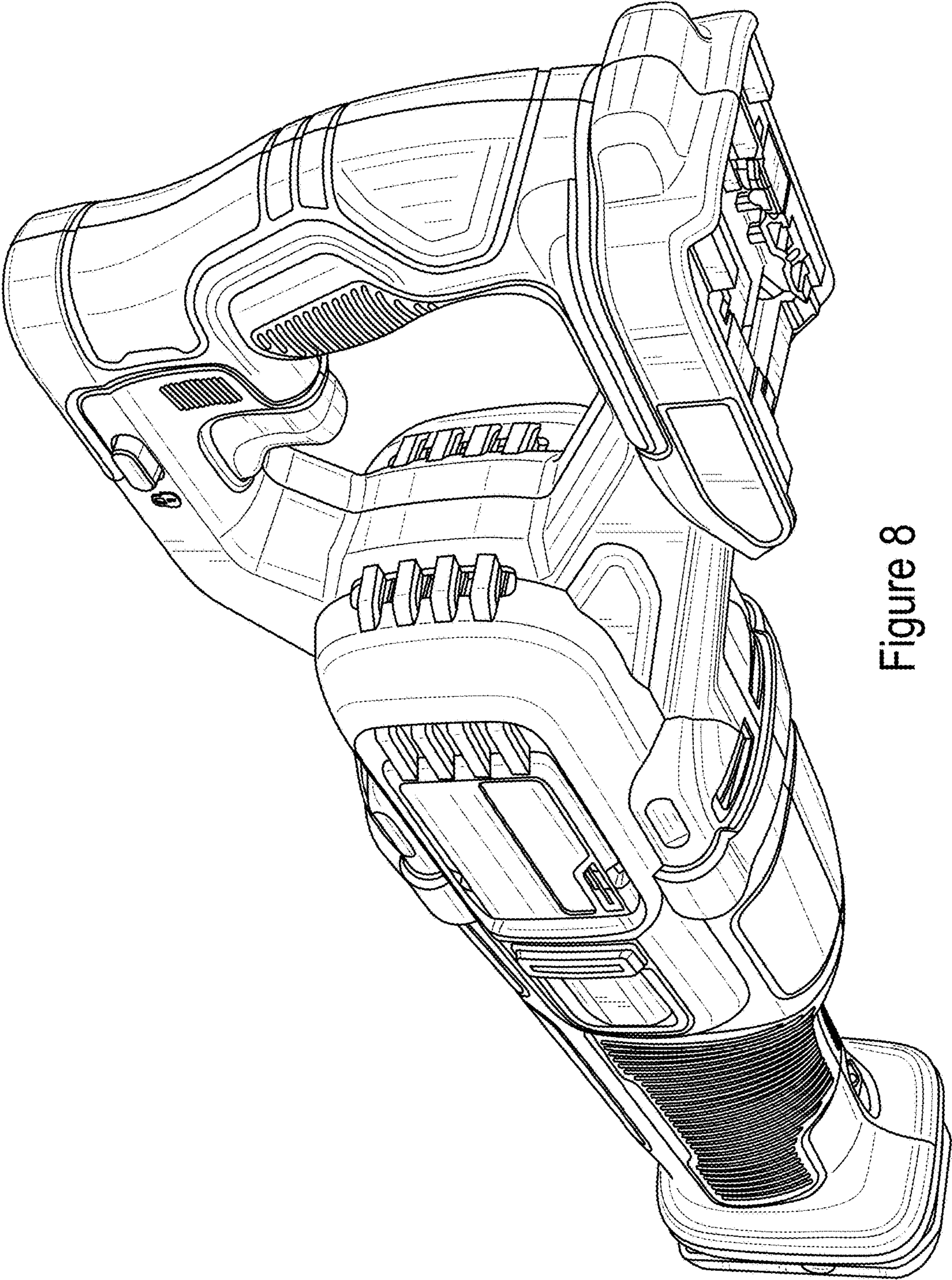


Figure 8

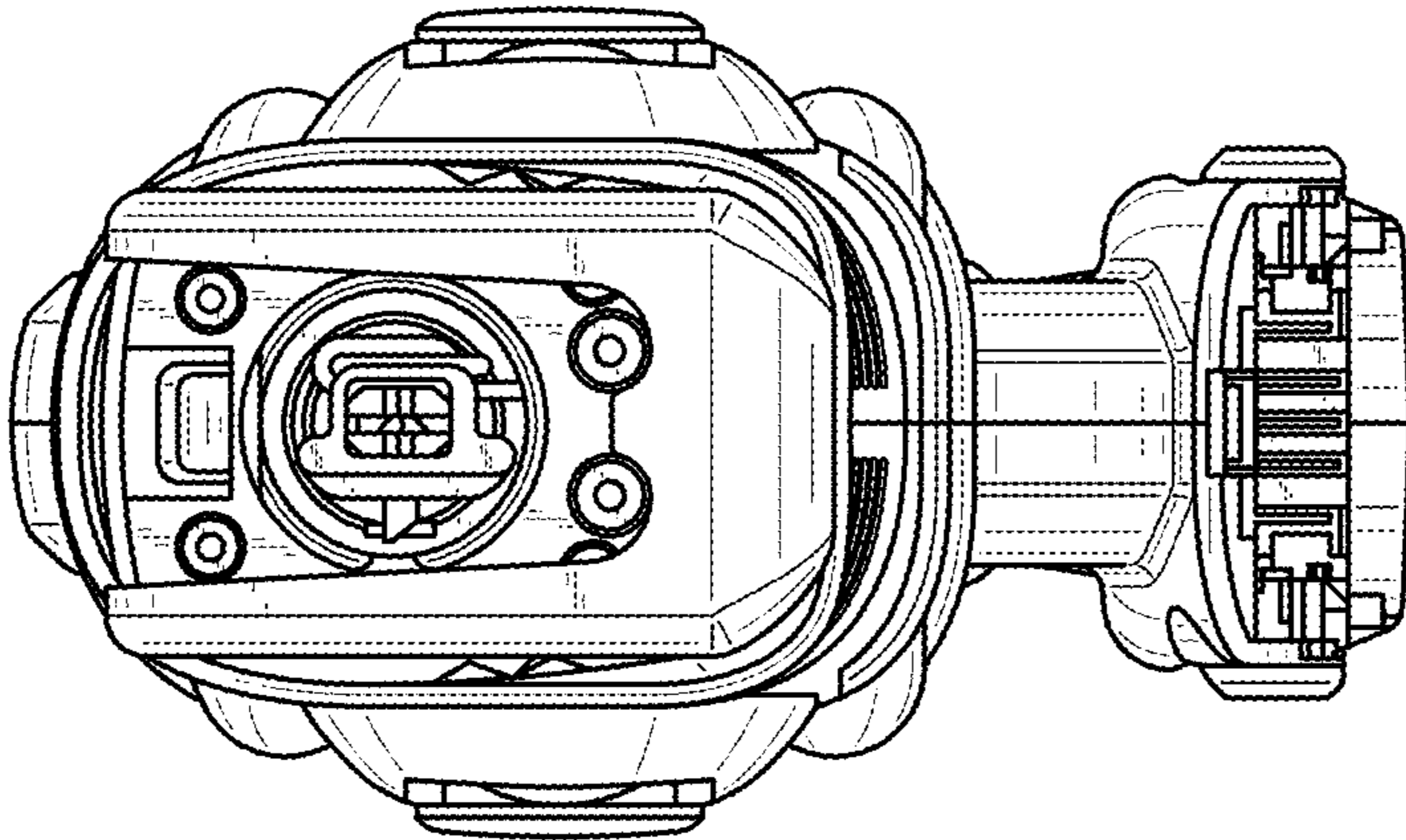


Figure 10

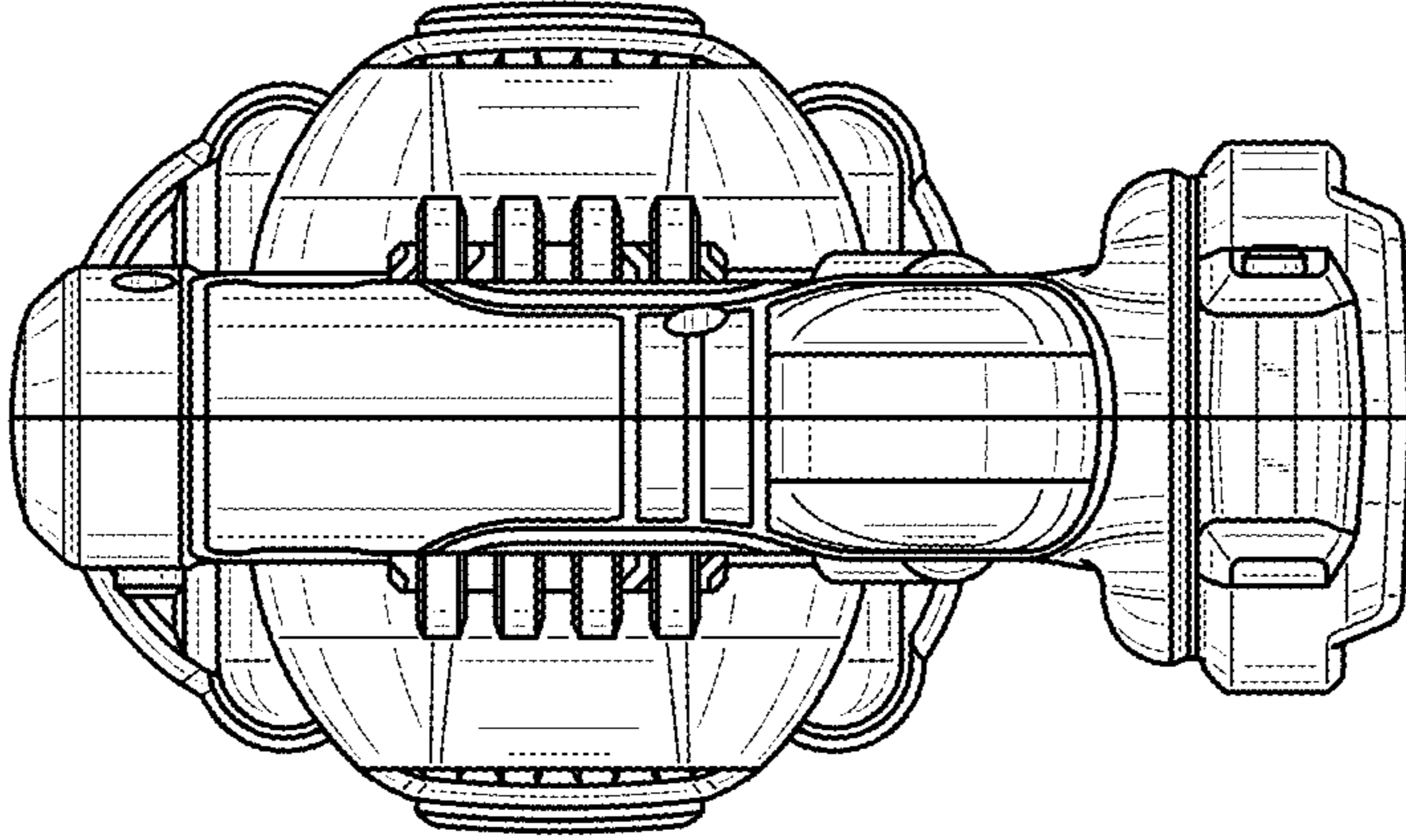


Figure 9

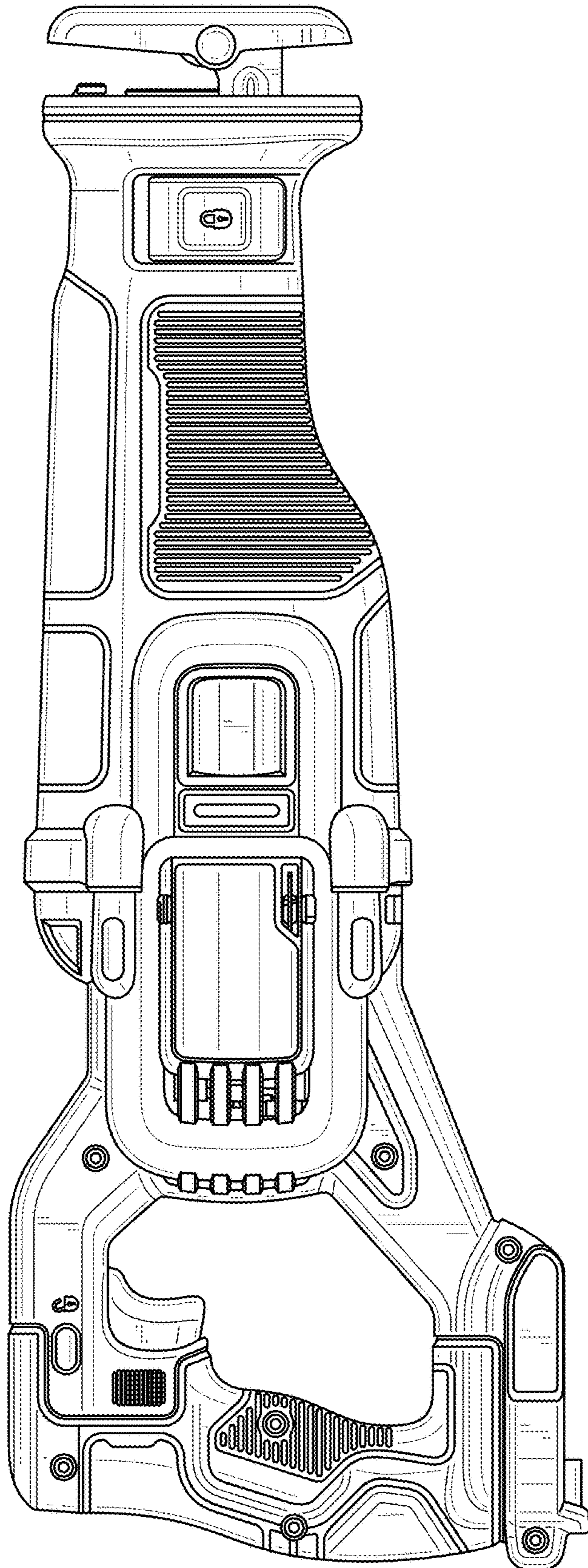


Figure 11

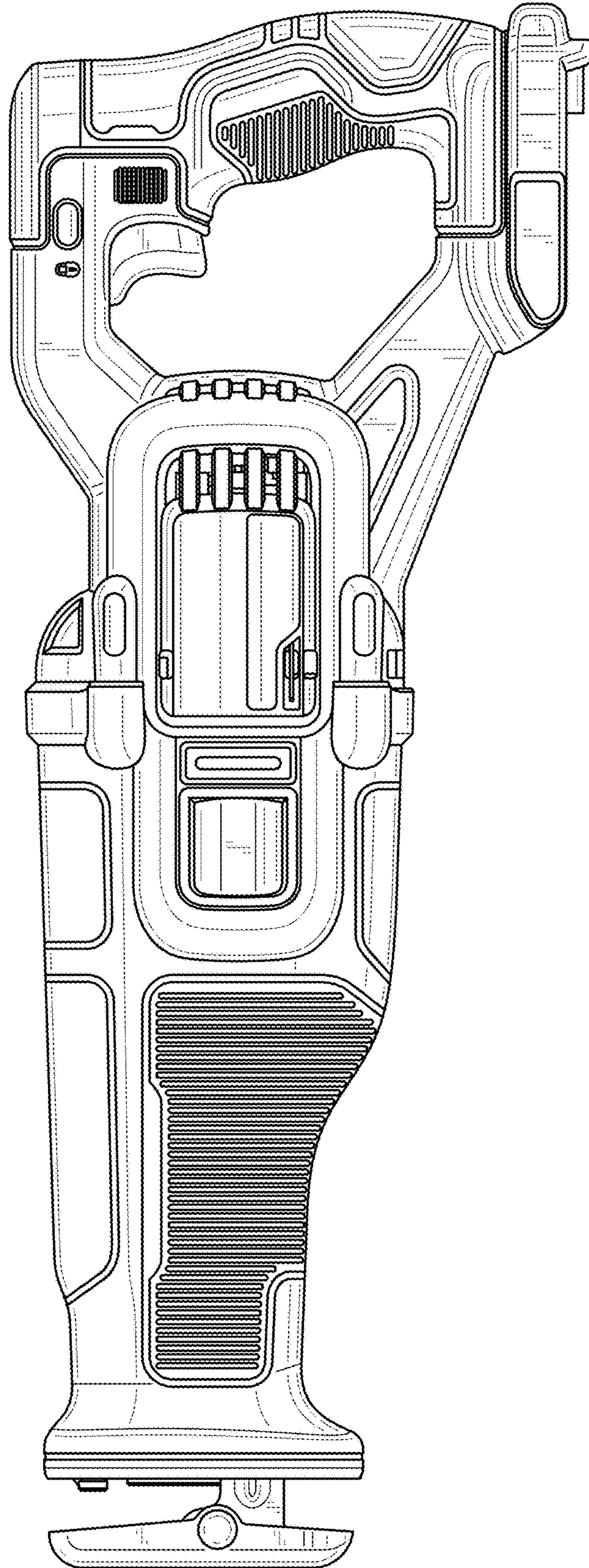


Figure 12

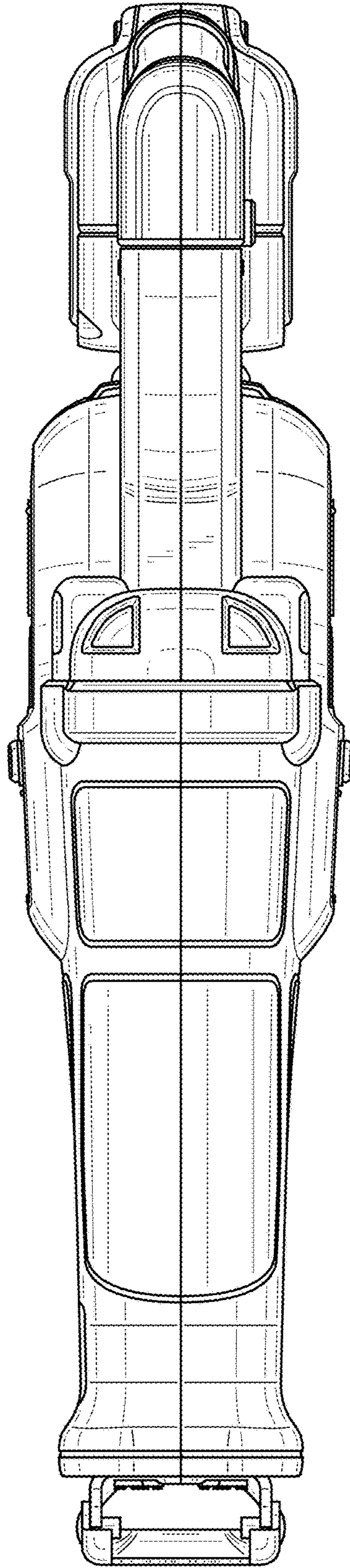


Figure 13

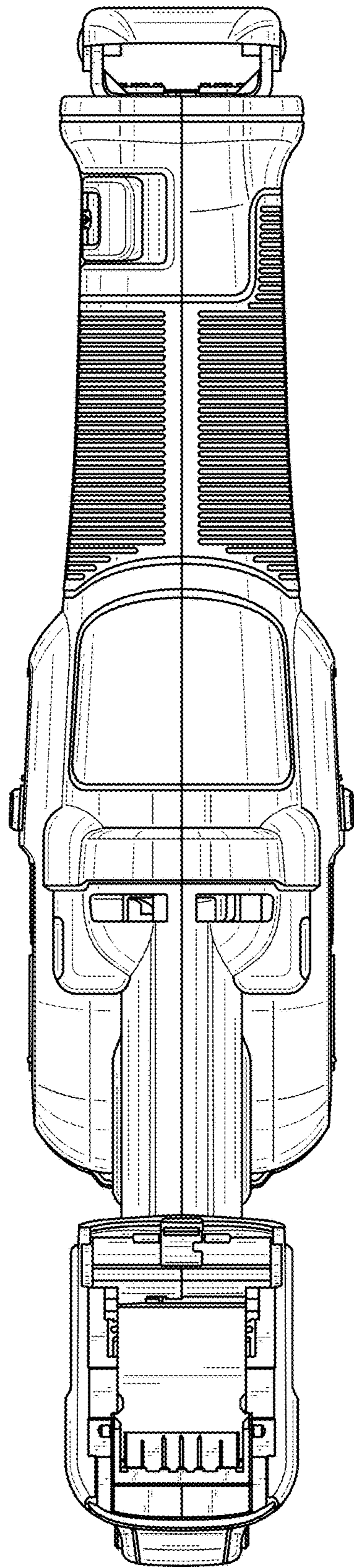


Figure 14