



US00D790938S

(12) **United States Design Patent**
LeBaron et al.

(10) **Patent No.:** **US D790,938 S**

(45) **Date of Patent:** **** Jul. 4, 2017**

(54) **MULTI-FUNCTION SLIDE HAMMER**

(71) Applicants: **Nathaniel LeBaron**, Cedar City, UT (US); **Melissa LeBaron**, Cedar City, UT (US)

(72) Inventors: **Nathaniel LeBaron**, Cedar City, UT (US); **Melissa LeBaron**, Cedar City, UT (US)

(**) Term: **15 Years**

(21) Appl. No.: **29/553,304**

(22) Filed: **Jan. 29, 2016**

(51) **LOC (10) Cl.** **08-05**

(52) **U.S. Cl.**
USPC **D8/51; D8/47; D8/75**

(58) **Field of Classification Search**
USPC **D8/14, 47, 51, 52, 75**
CPC ... **B25D 1/16; B27L 7/06; B27L 7/005; E02D 7/04**

See application file for complete search history.

(56) **References Cited**

U.S. PATENT DOCUMENTS

2,098,146	A *	11/1937	Hunt	E04H 17/263
					173/126
3,792,739	A *	2/1974	Deike	B25D 1/16
					173/118
4,327,787	A *	5/1982	Loratto	B23B 31/113
					144/195.5
4,350,192	A *	9/1982	Dent	B27L 7/005
					144/195.5
5,029,651	A *	7/1991	Ubbink	B25D 1/16
					173/126
5,088,174	A *	2/1992	Hull	A62B 3/005
					29/254

5,495,878	A *	3/1996	McKenen, Jr.	B27L 7/005
					144/193.1
6,109,365	A *	8/2000	Lamoureux	A01B 1/02
					173/128
8,122,793	B2 *	2/2012	Campbell, Jr.	B25B 27/16
					173/133
9,206,569	B1 *	12/2015	Roy	B25D 1/16
2007/0181320	A1 *	8/2007	Mason	B25D 1/16
					173/90
2016/0221169	A1 *	8/2016	LeBaron	B25D 1/16

* cited by examiner

Primary Examiner — Phillip S Hyder

(74) *Attorney, Agent, or Firm* — Gallian, Welker & Beckstrom, L.C.; Robert A. Gurr

(57) **CLAIM**

The ornamental design for a multi-function slide hammer, as shown and described.

DESCRIPTION

FIG. 1 is a perspective view of the multi-function slide hammer;

FIG. 2 is a front elevation view of the multi-function slide hammer, the back side being a mirror image;

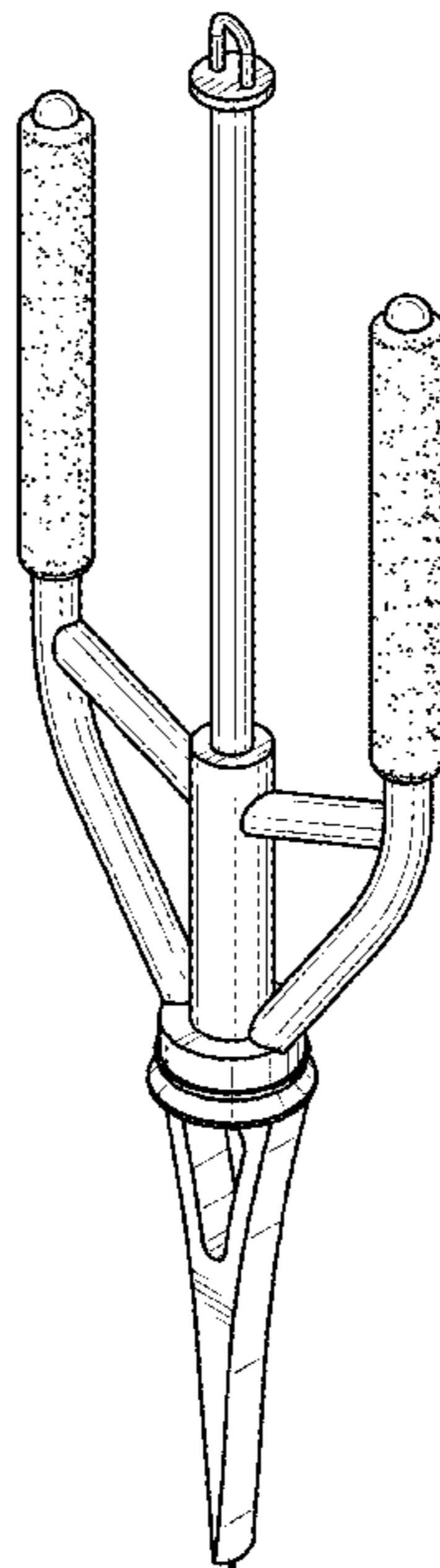
FIG. 3 is a left side elevation view of the multi-function slide hammer, the right side being a mirror image;

FIG. 4 is a top plan view of the multi-function slide hammer; FIG. 5 is a bottom plan view of the multi-function slide hammer; and,

FIG. 6 is a perspective view of the multi-function slide hammer embedded in a log.

The broken lines illustrate environmental matter and form no part of the claimed design.

1 Claim, 3 Drawing Sheets



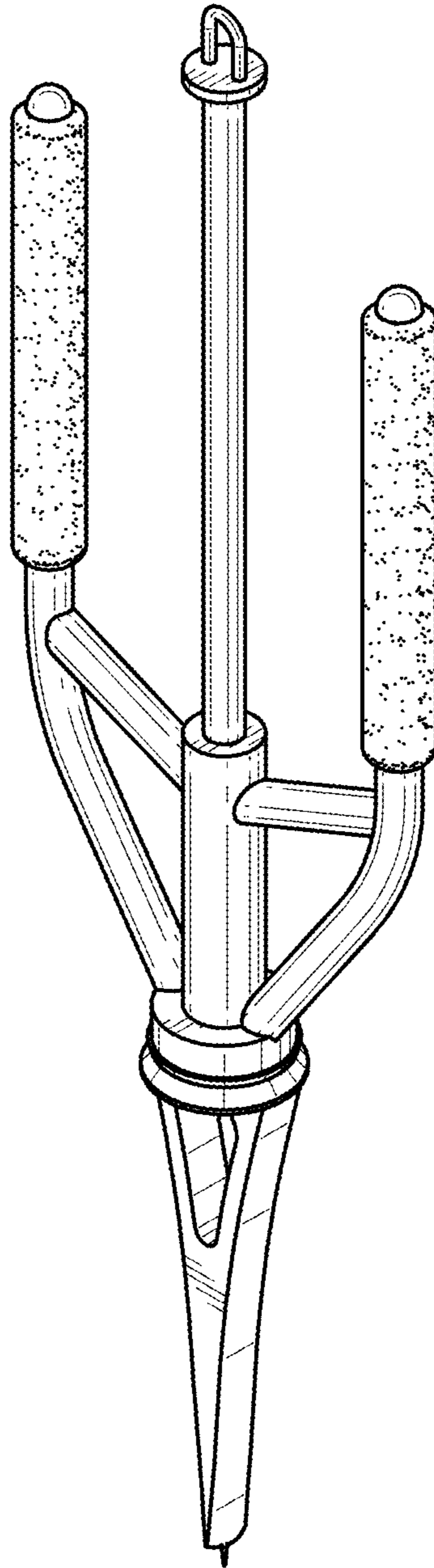


FIG. 1

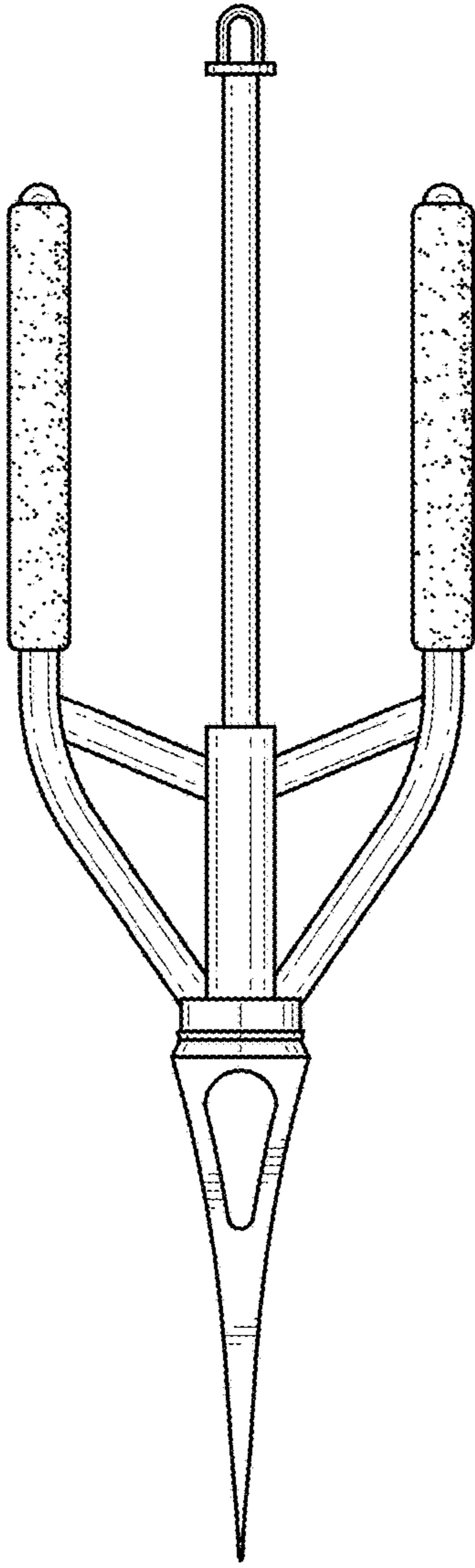


FIG. 2

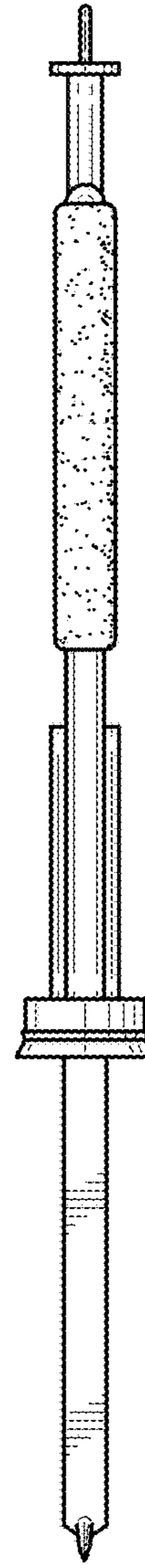


FIG. 3

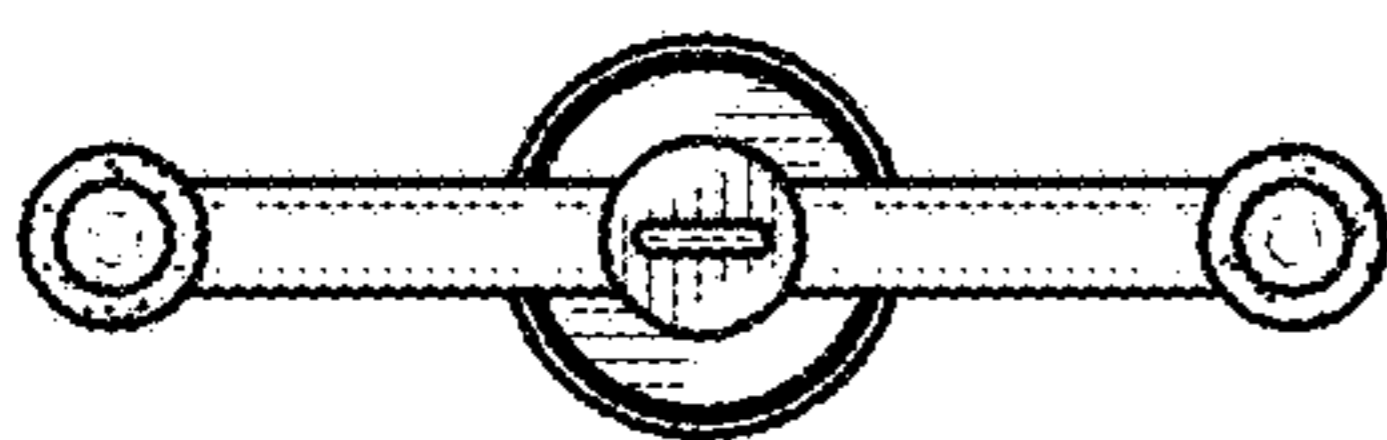


FIG. 4

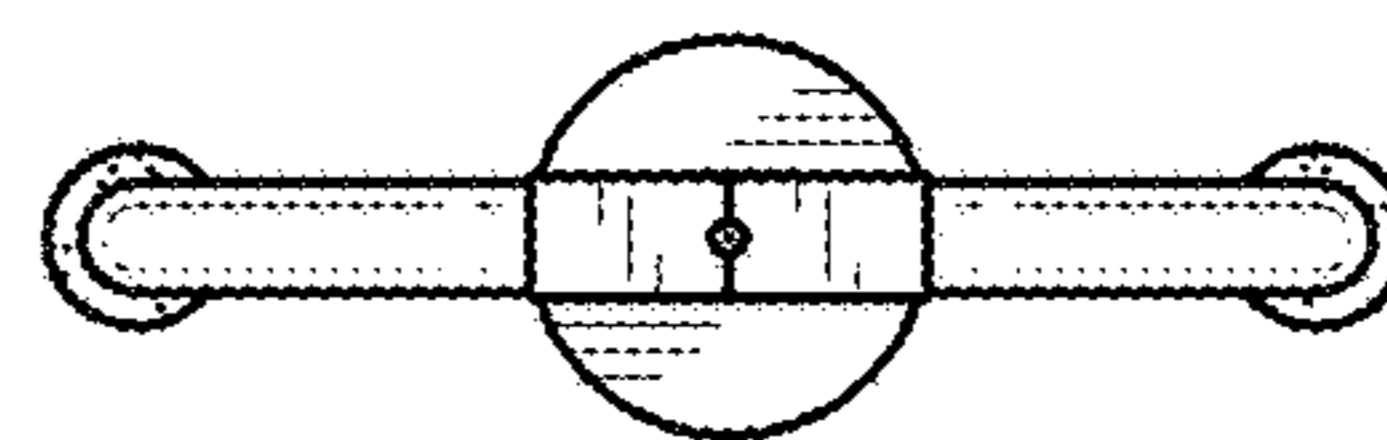


FIG. 5

FIG. 6

