



US00D790937S

(12) **United States Design Patent**
Lee et al.

(10) **Patent No.:** **US D790,937 S**
(45) **Date of Patent:** **** Jul. 4, 2017**

- (54) **PORTION OF A SOCKET**
- (71) Applicants: **An-Kun Lee**, Taichung (TW);
Shu-Tuan Yang, Taichung (TW);
Chiu-Ken Lai, Taichung (TW)
- (72) Inventors: **An-Kun Lee**, Taichung (TW);
Shu-Tuan Yang, Taichung (TW);
Chiu-Ken Lai, Taichung (TW)
- (**) Term: **15 Years**
- (21) Appl. No.: **29/568,339**
- (22) Filed: **Jun. 16, 2016**
- (51) **LOC (10) Cl.** **08-05**
- (52) **U.S. Cl.**
USPC **D8/29**
- (58) **Field of Classification Search**
USPC D8/29; 81/60, 177.1, 177.85, 121.1,
81/124.3, 165-170, 110.1, 176.2, 124.6,
81/176.1, 176.15, 177.2; 16/110.1
CPC B25B 13/06
See application file for complete search history.

- 8,359,953 B2 * 1/2013 Lin B25B 13/06
81/121.1
- 8,544,367 B2 * 10/2013 Buchanan B25B 13/04
81/124.5
- 9,038,506 B1 * 5/2015 Huang B25B 13/462
81/60
- D749,388 S * 2/2016 Lee D8/29
- D755,028 S * 5/2016 Yu D8/29

* cited by examiner

Primary Examiner — Randall Gholson

(56) **References Cited**

U.S. PATENT DOCUMENTS

- D520,311 S * 5/2006 Saunders D8/29
- D542,106 S * 5/2007 Alsobrook D8/29
- D605,010 S * 12/2009 Hsieh D8/29
- 7,707,916 B2 * 5/2010 Pirseyedi B25B 13/44
279/64
- 7,726,919 B1 * 6/2010 Rottler B23B 31/08
279/16
- D640,298 S * 6/2011 Launius, Jr. D15/130
- D649,417 S * 11/2011 Gresham D8/29

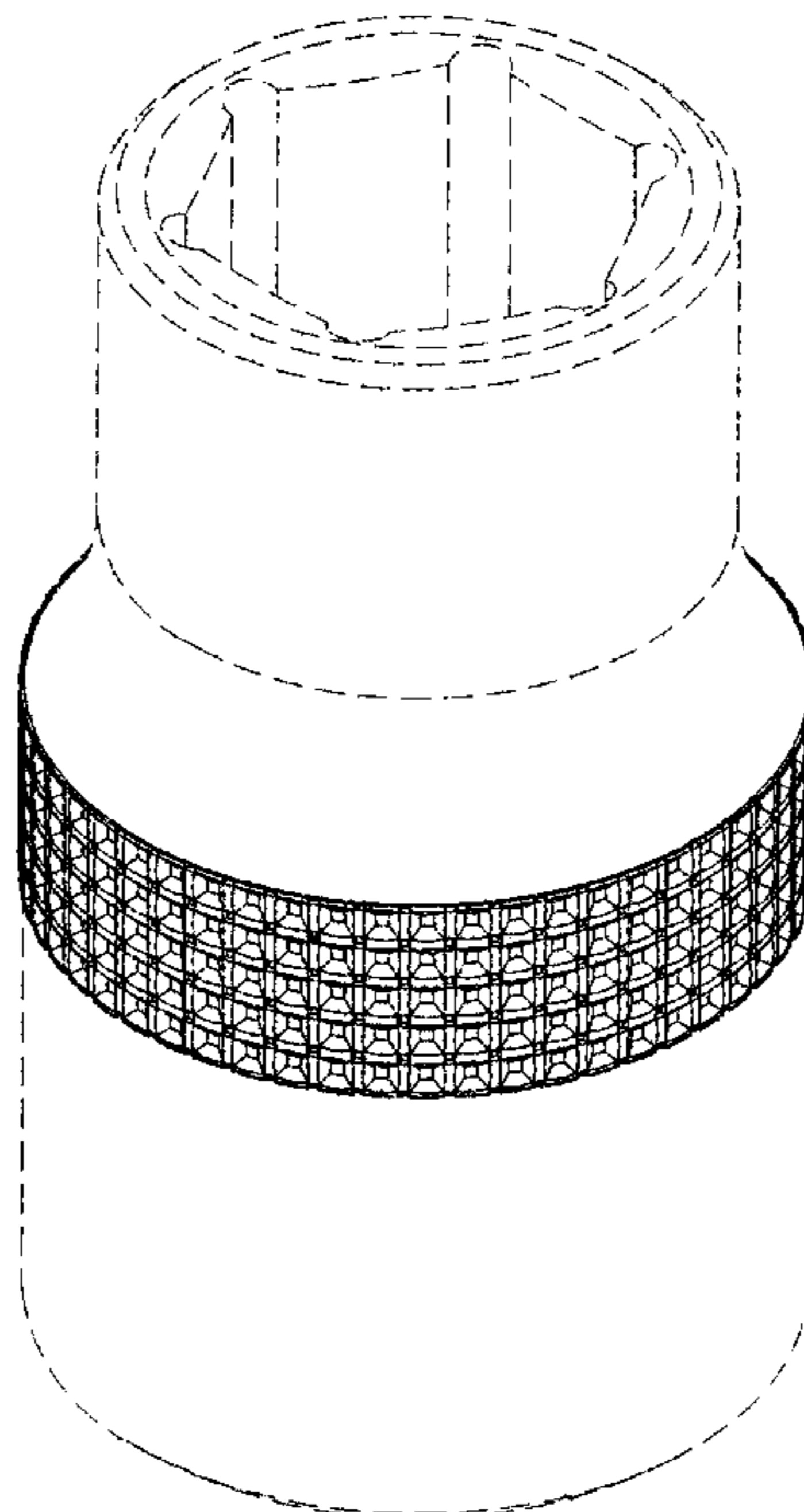
(57) **CLAIM**

The ornamental design for a portion of a socket, as shown and described.

DESCRIPTION

FIG. 1 is a perspective view of the portion of a socket showing my new design;
 FIG. 2 is a front elevational view thereof (the rear elevational view is a mirror image of the front elevational view);
 FIG. 3 is a left side elevational view thereof (the right side elevational view is a mirror image of the left side elevational view);
 FIG. 4 is a top plan view thereof;
 FIG. 5 is a bottom plan view thereof; and,
 FIG. 6 is an enlarged view, for clarity purpose only, to show the rectangular and recessed contour of portion of the portion of a socket showing my new design.
 The broken lines in the drawings depict environmental subject matter only and form no part of the claimed design.

1 Claim, 5 Drawing Sheets



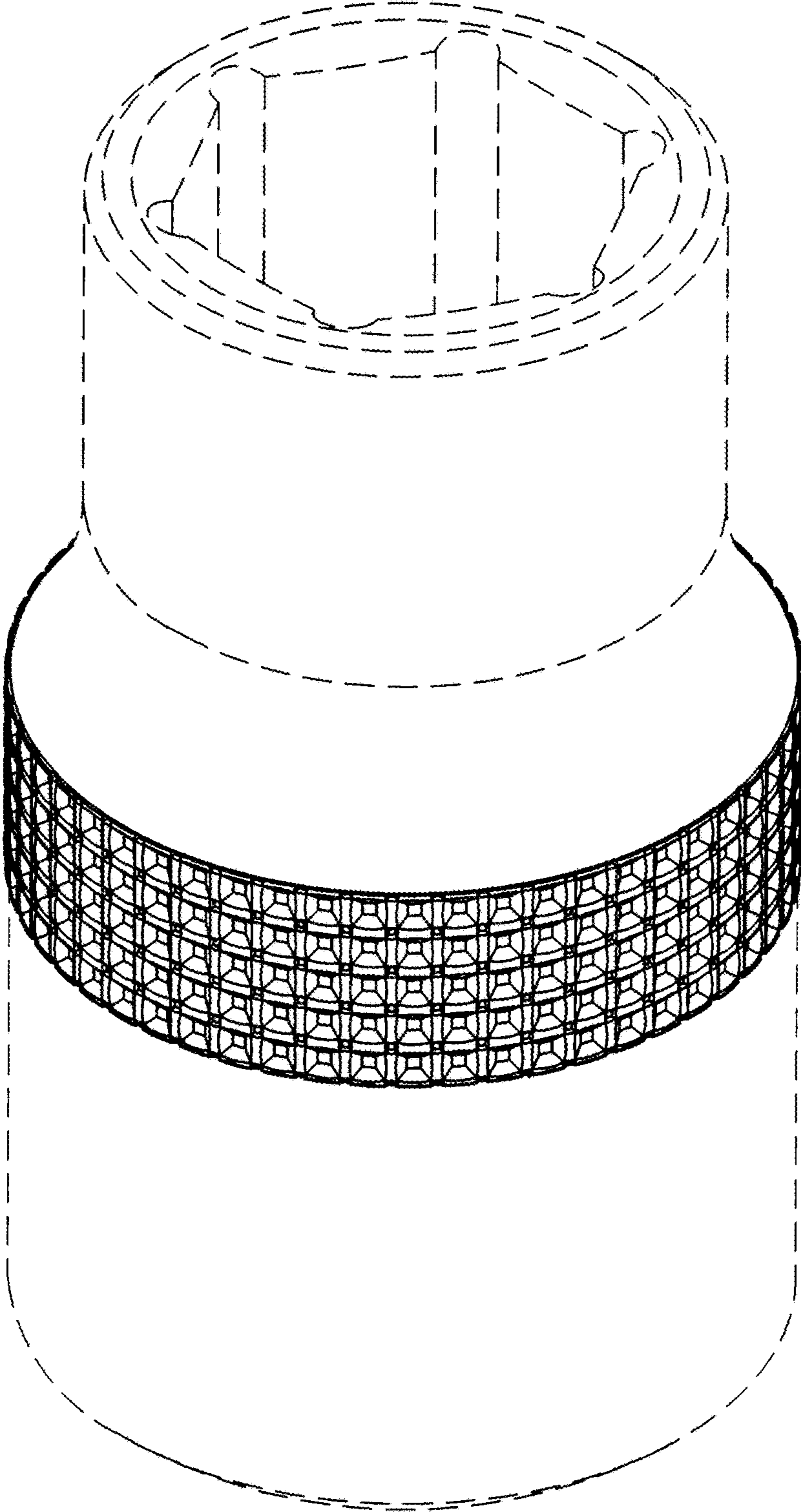


FIG.1

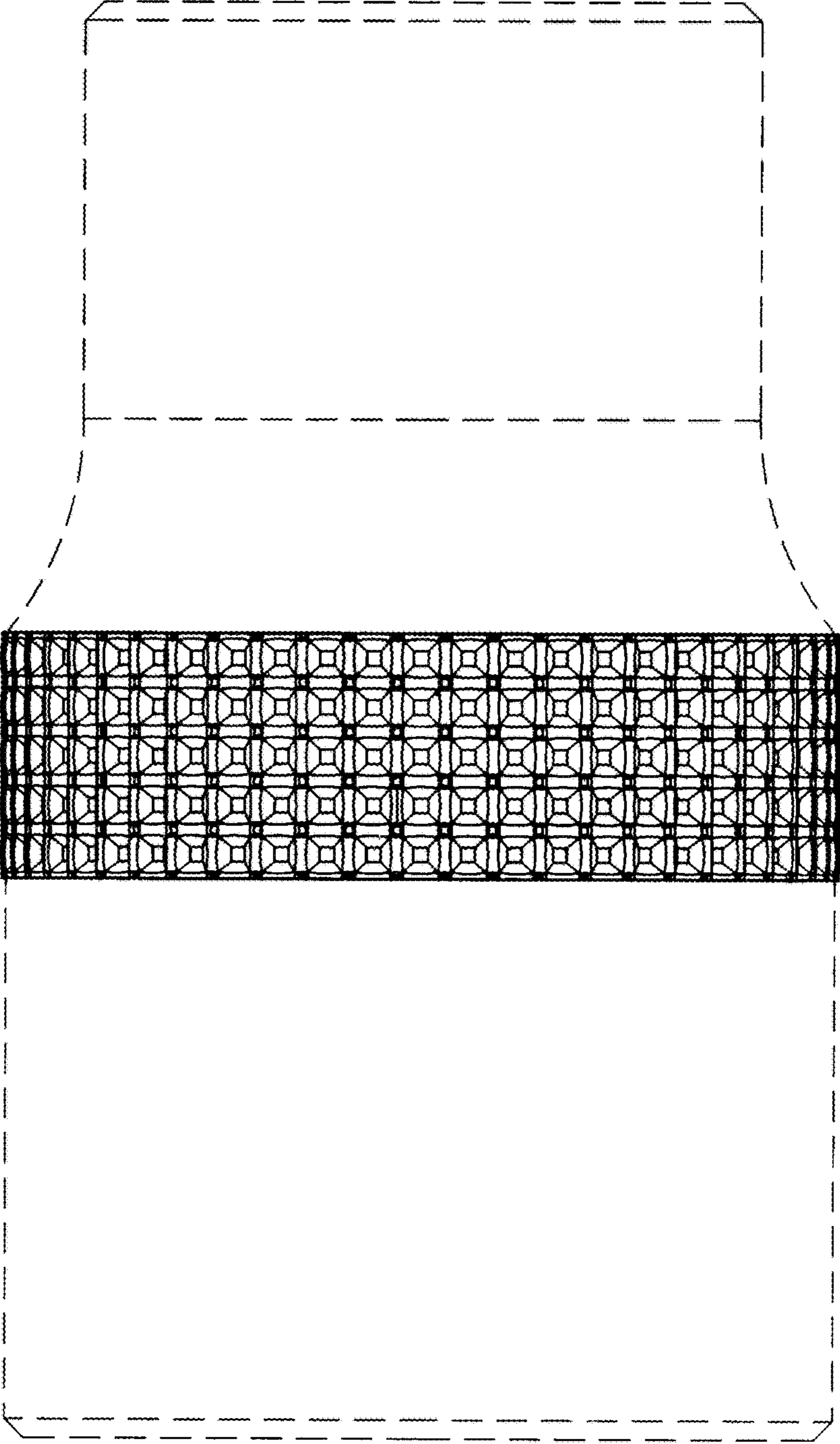


FIG.2

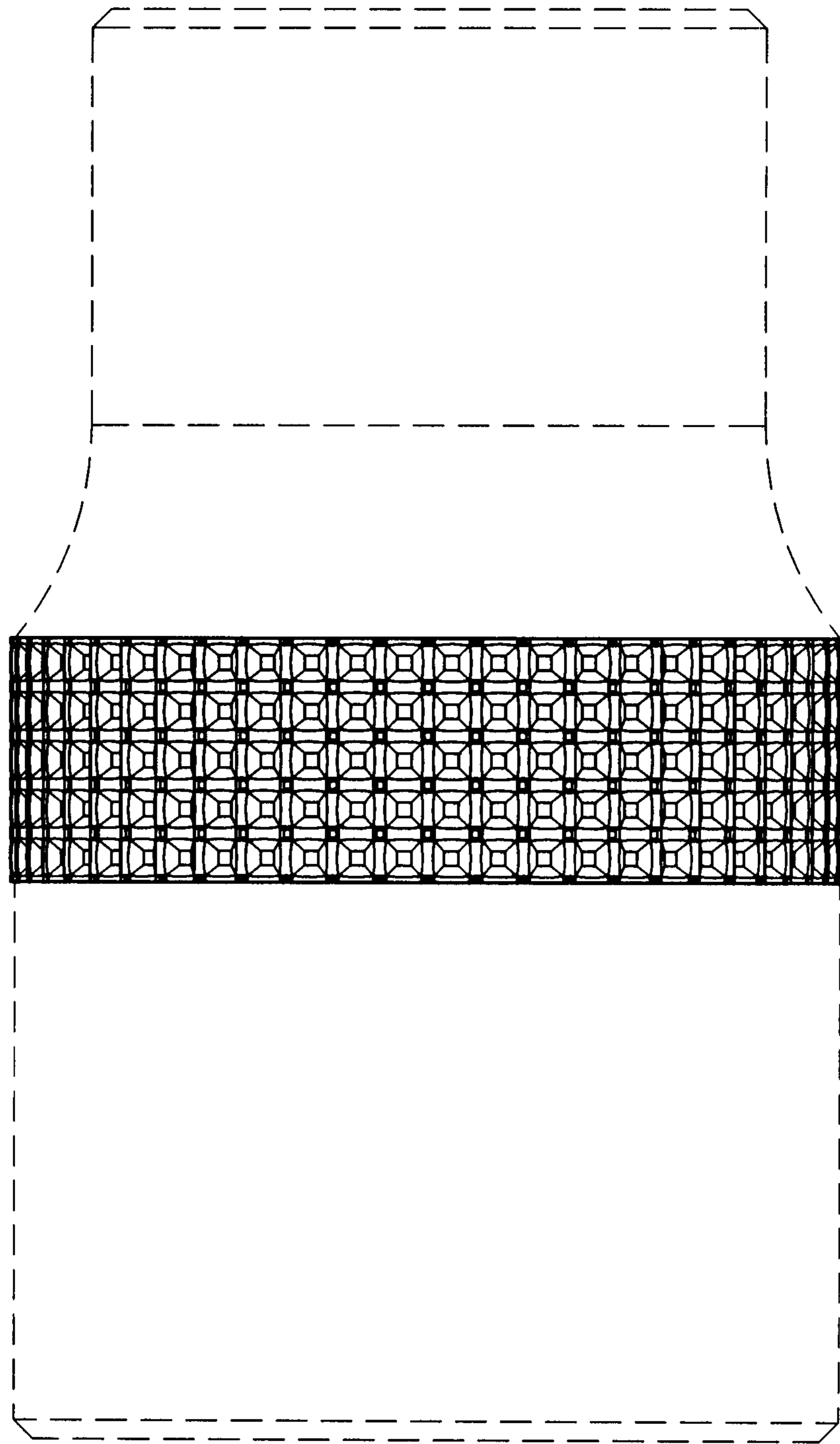


FIG.3

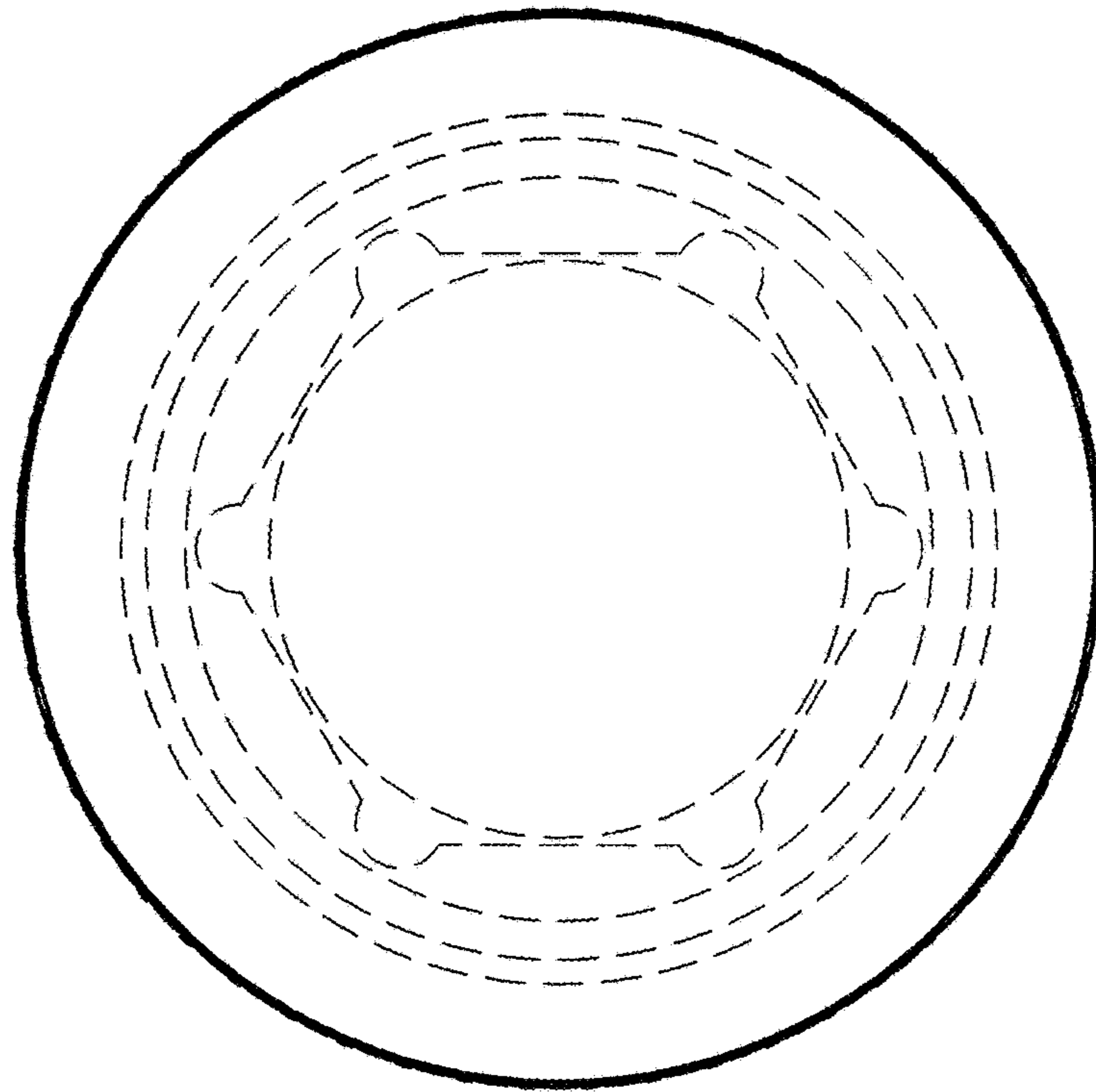


FIG. 4

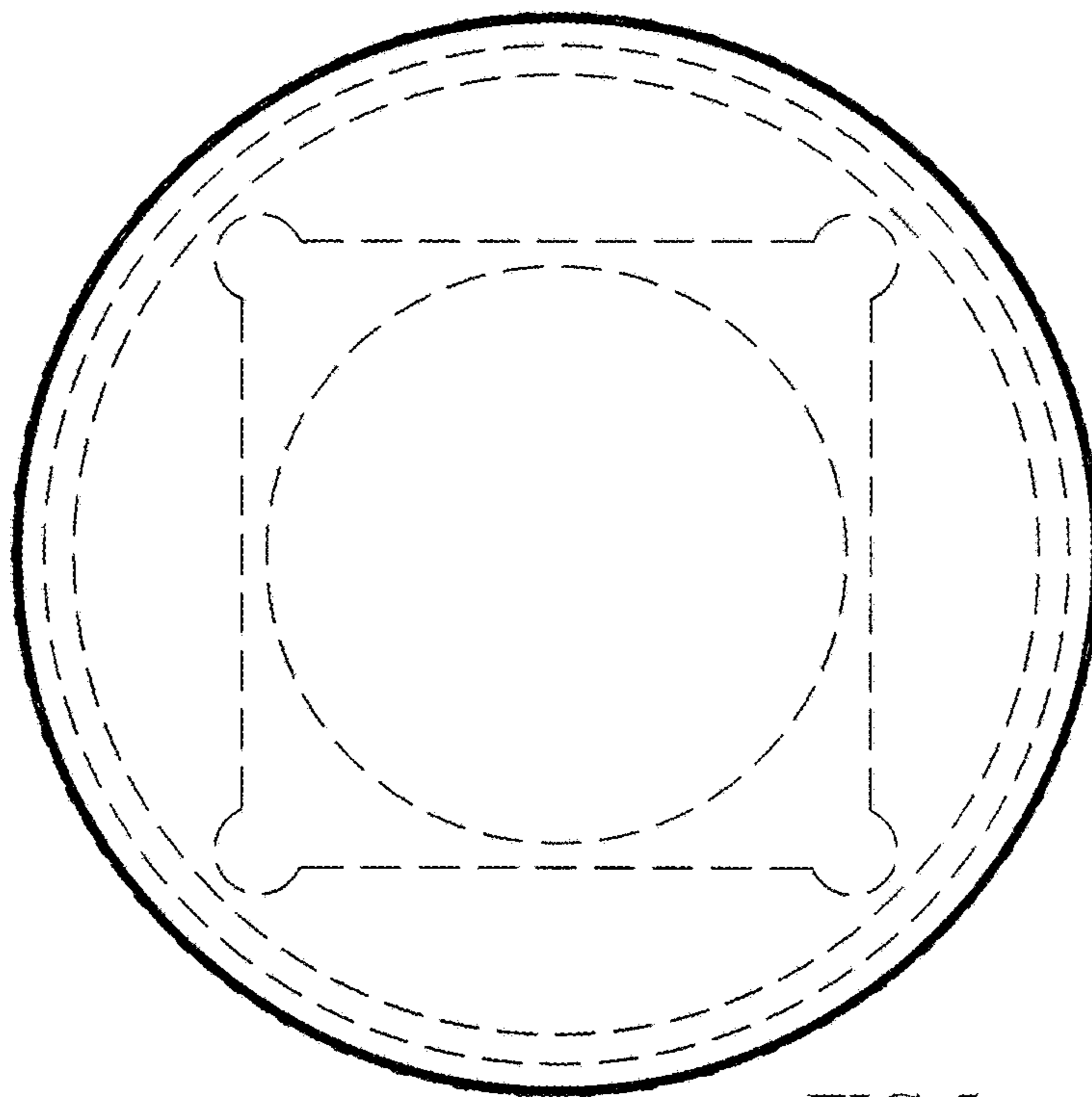


FIG. 5

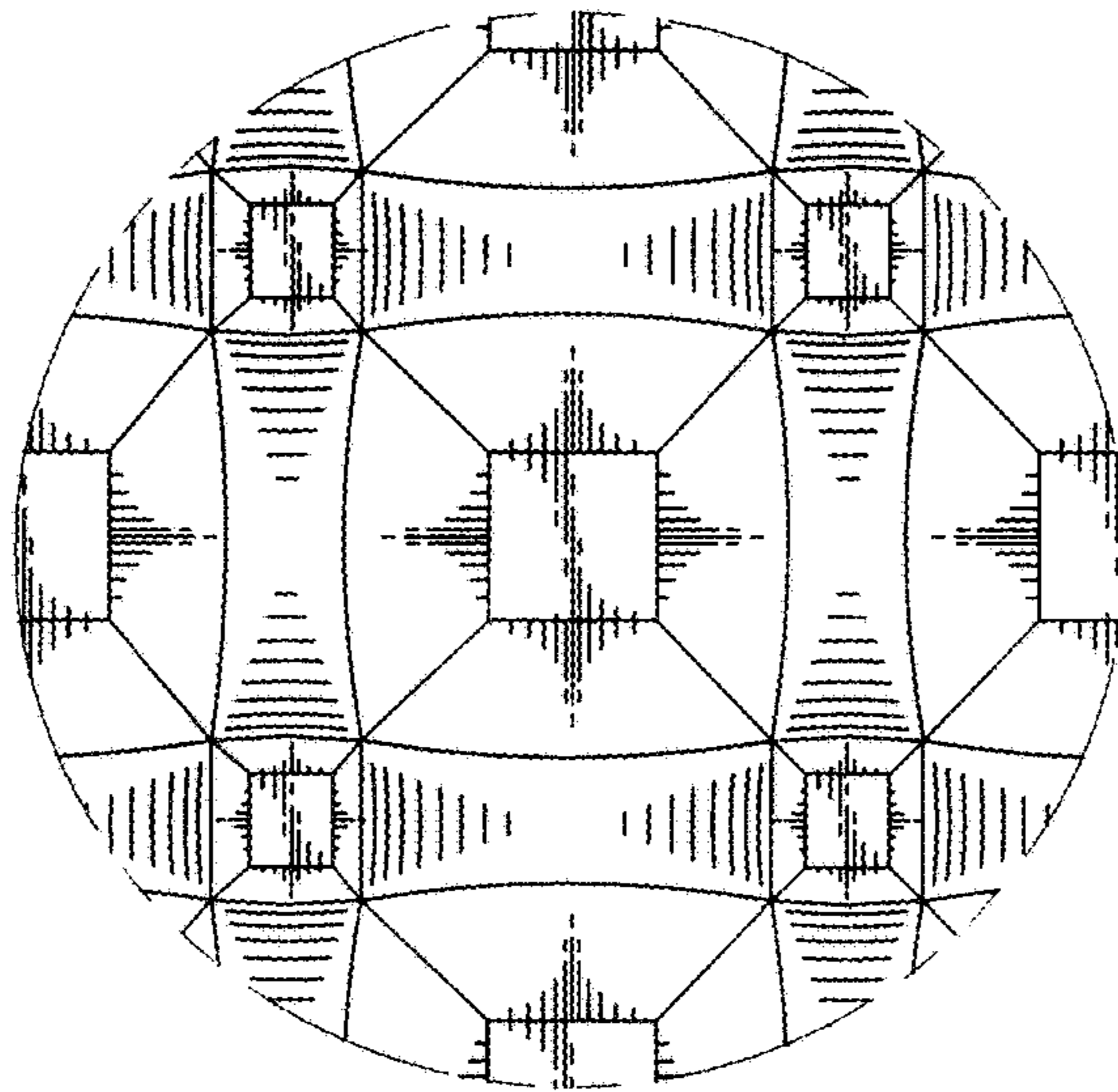


FIG.6