



US00D790935S

(12) **United States Design Patent**
Wu

(10) **Patent No.:** **US D790,935 S**

(45) **Date of Patent:** **** Jul. 4, 2017**

- (54) **GARDEN SCISSORS**
- (71) Applicant: **Shih-Piao Wu**, Changhua (TW)
- (72) Inventor: **Shih-Piao Wu**, Changhua (TW)
- (73) Assignee: **Jiin Haur Industrial Co. Ltd.**,
Changhua (TW)
- (**) Term: **15 Years**

D499,317 S *	12/2004	Tatic	D8/5
D501,378 S *	2/2005	Tatic	D8/5
7,178,245 B1 *	2/2007	Lee	A01G 3/02 30/254
D680,829 S *	4/2013	Nelson	D8/5
2002/0046466 A1 *	4/2002	Deville	A01G 3/02 30/270
2012/0198705 A1 *	8/2012	Huang	A01G 3/02 30/244
2013/0091713 A1 *	4/2013	Wu	B26B 13/16 30/254
2016/0183475 A1 *	6/2016	Wu	A01G 3/021 30/250

- (21) Appl. No.: **29/548,033**
- (22) Filed: **Dec. 9, 2015**
- (51) **LOC (10) Cl.** **08-01**
- (52) **U.S. Cl.**
USPC **D8/5**
- (58) **Field of Classification Search**
USPC D8/1, 4, 5, 7, 51, 52, 54, 56, 58, 107;
D21/532
CPC B26B 13/00; B26B 13/06; B26B 13/14;
B26B 13/20; B26B 13/16; B26B 13/28;
A01G 3/02; A01G 3/021; A01G 3/025;
A01G 3/0251; A01G 3/0475
See application file for complete search history.

* cited by examiner

Primary Examiner — Sandra Snapp
Assistant Examiner — Ieisha Price
 (74) *Attorney, Agent, or Firm* — Che-Yang Chen; Law
 Offices of Scott Warmuth

(57) **CLAIM**

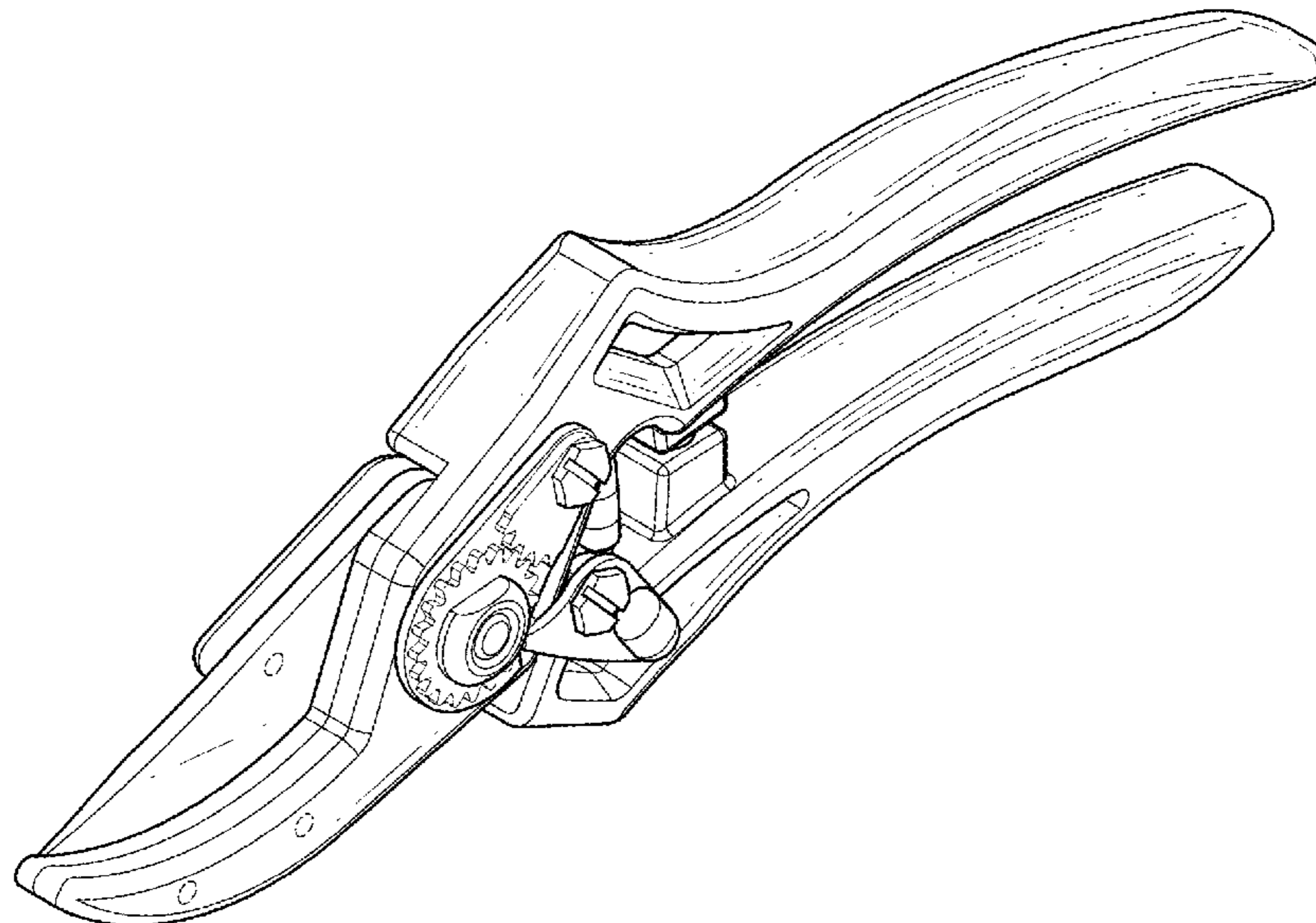
The ornamental design for garden scissors, as shown and described.

DESCRIPTION

FIG. 1 is a perspective view of garden scissors showing my new design;
 FIG. 2 is a front elevational view thereof;
 FIG. 3 is a rear elevational view thereof;
 FIG. 4 is a left side elevational view thereof;
 FIG. 5 is a right side elevational view thereof;
 FIG. 6 is a top plan view thereof; and,
 FIG. 7 is a bottom plan view thereof.
 The broken lines in the drawings illustrate portions of the garden scissors and form no part of the claimed design.

- (56) **References Cited**
U.S. PATENT DOCUMENTS
- | | | | | |
|----------------|---------|---------|-------|---------------------|
| D337,033 S * | 7/1993 | DeVille | | D8/5 |
| D431,979 S * | 10/2000 | Deville | | D8/5 |
| D433,887 S * | 11/2000 | Deville | | D8/5 |
| 6,260,277 B1 * | 7/2001 | Wu | | A01G 3/02
30/232 |
| D457,401 S * | 5/2002 | Clivio | | D8/5 |
| D463,227 S * | 9/2002 | Choi | | D8/5 |
| D499,316 S * | 12/2004 | Tatic | | D8/5 |

1 Claim, 4 Drawing Sheets



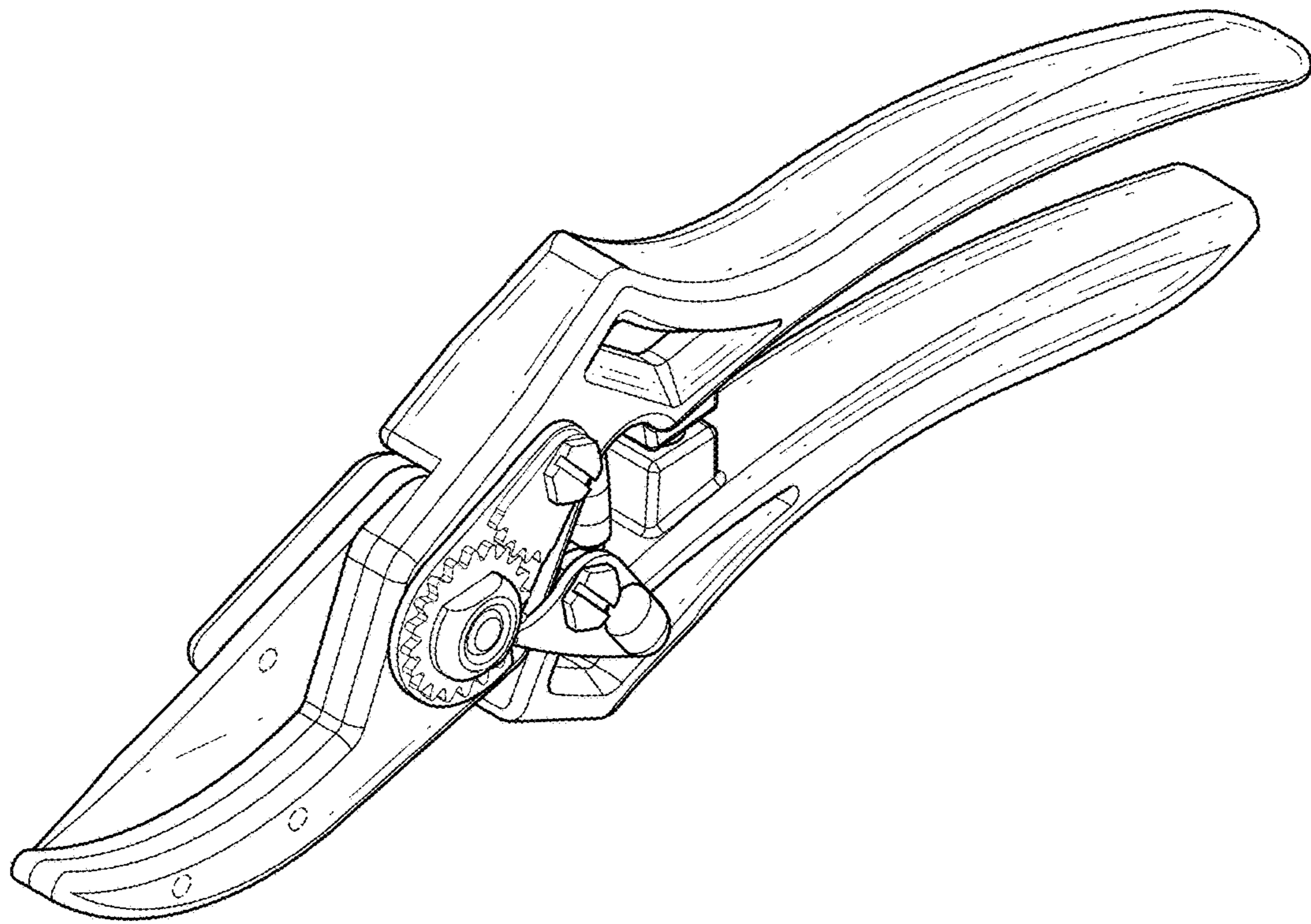


FIG. 1

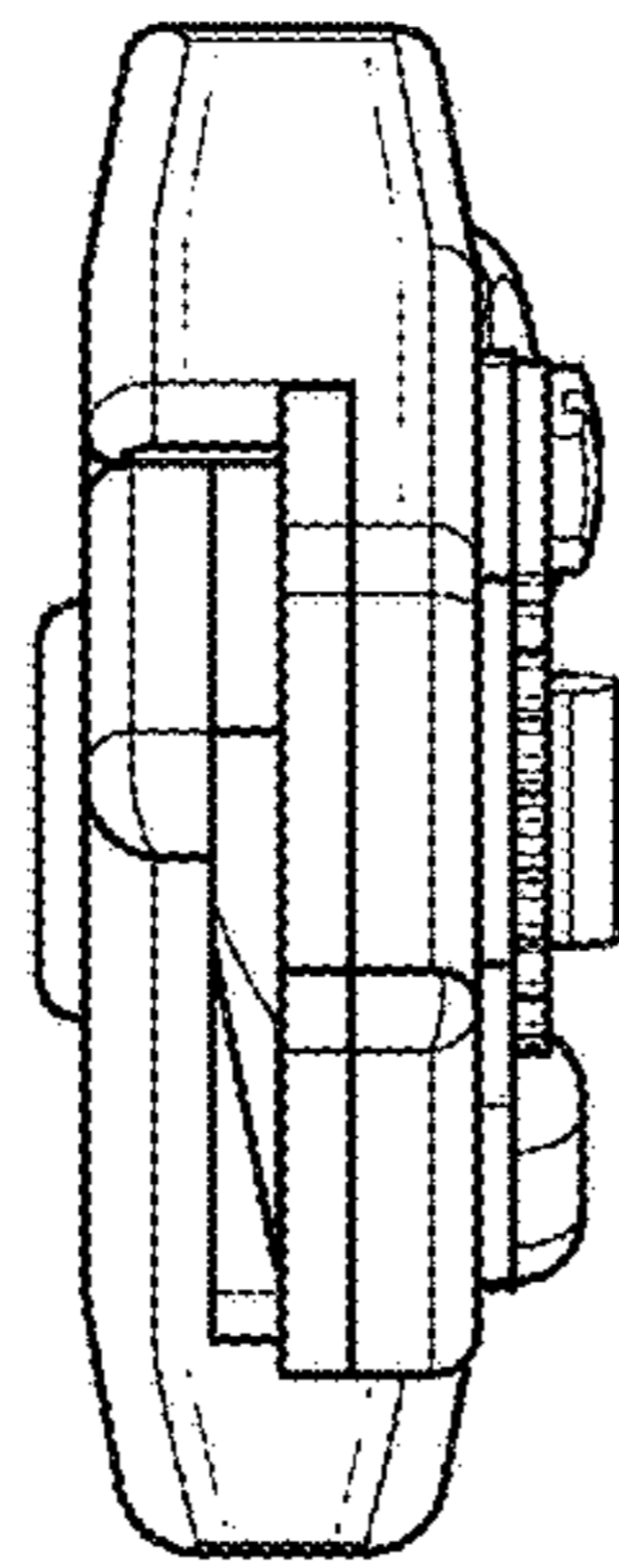


FIG. 2

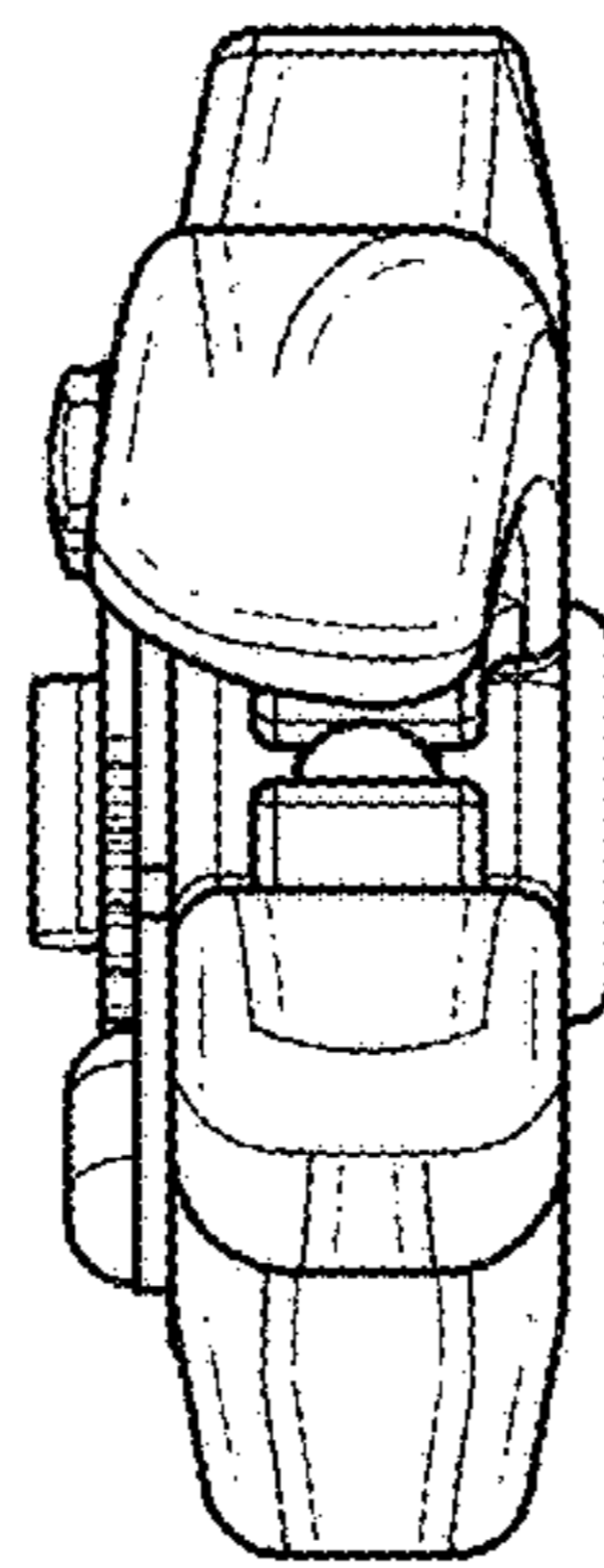


FIG. 3

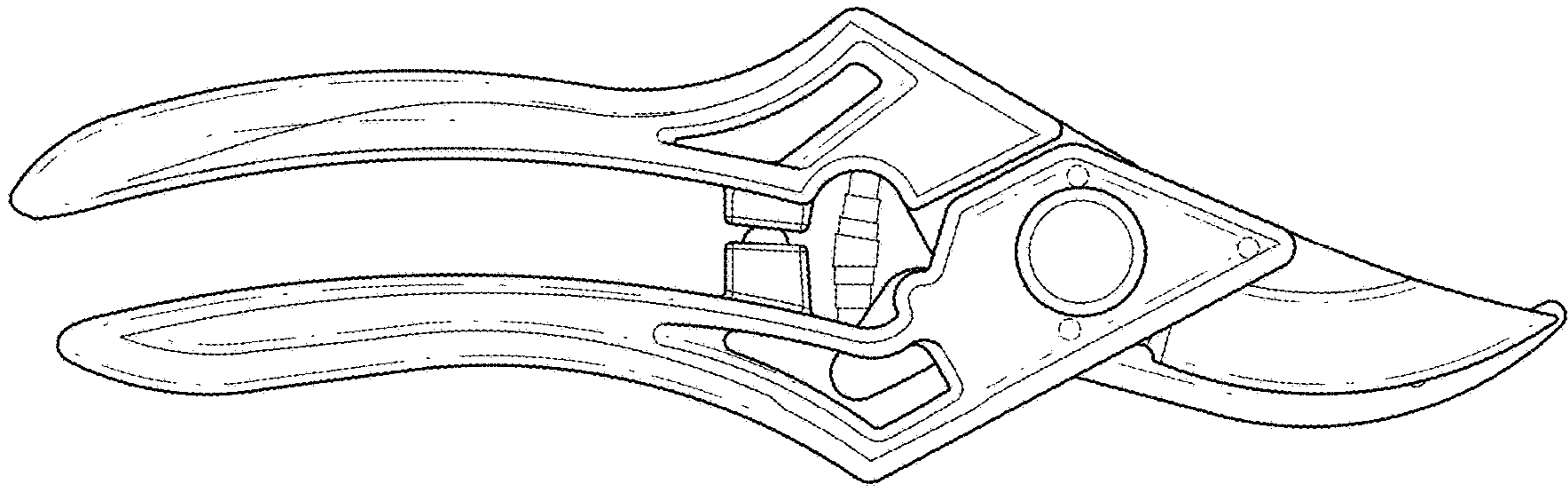


FIG. 4

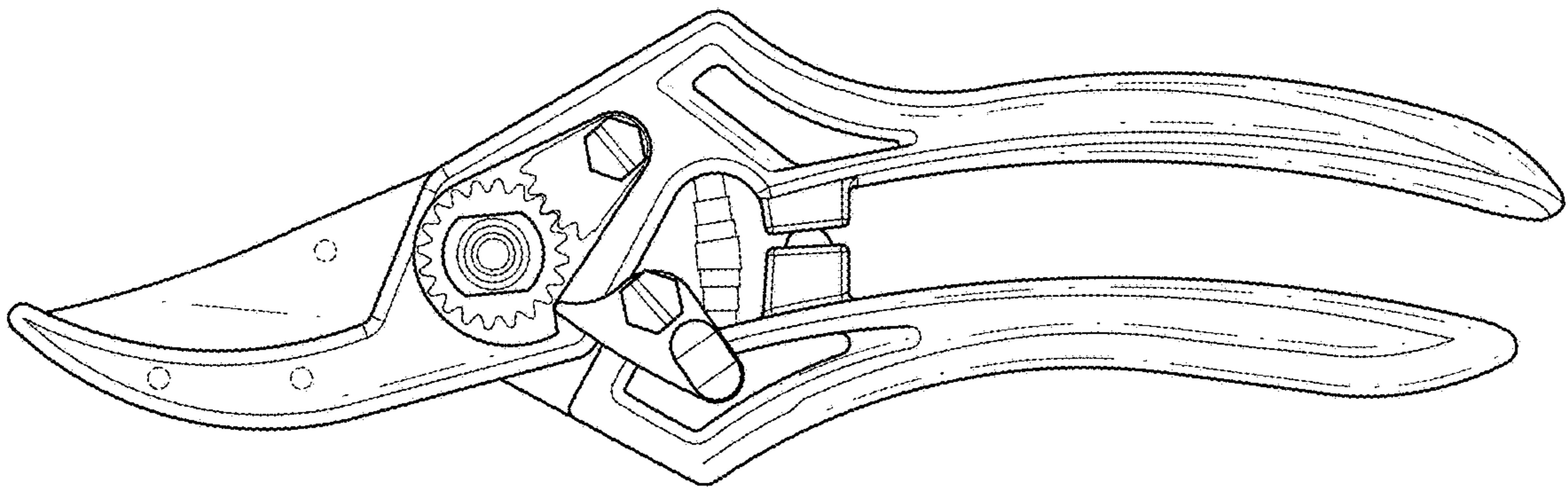


FIG. 5

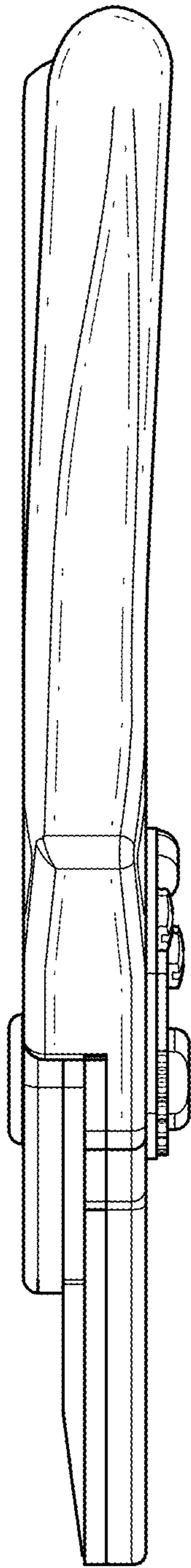


FIG. 6

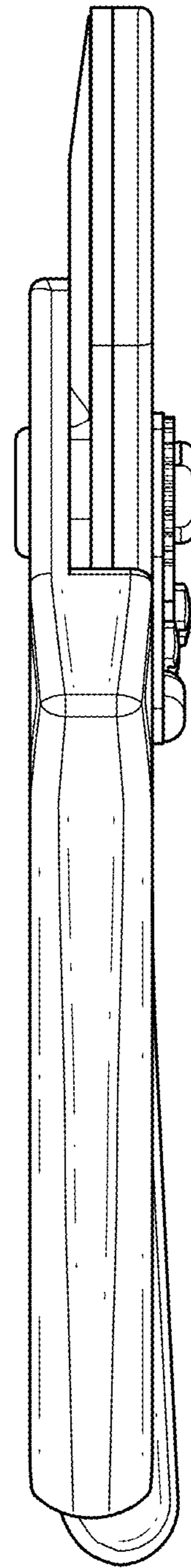


FIG. 7