



US00D790934S

(12) **United States Design Patent**  
**Hervas et al.**

(10) **Patent No.:** **US D790,934 S**  
(45) **Date of Patent:** **\*\* Jul. 4, 2017**

- (54) **SAND SIFTING DEVICE**
- (71) Applicants: **Roy C. Hervas**, Schaumburg, IL (US);  
**Brittanie Hervas**, Schaumburg, IL (US)
- (72) Inventors: **Roy C. Hervas**, Schaumburg, IL (US);  
**Brittanie Hervas**, Schaumburg, IL (US)
- (\*\*) Term: **15 Years**
- (21) Appl. No.: **29/538,544**
- (22) Filed: **Sep. 4, 2015**
- (51) **LOC (10) Cl.** ..... **08-01**
- (52) **U.S. Cl.**  
USPC ..... **D8/1**
- (58) **Field of Classification Search**  
USPC ..... D8/1, 10, 13, 14; D7/667; D21/472  
CPC ..... A01K 80/00; A01K 1/0114; A01B 1/00;  
A01D 7/00; B07B 1/02; B07B 1/46  
See application file for complete search history.

- 5,417,044 A \* 5/1995 Russo ..... A01D 7/10  
294/179
  - 5,536,055 A \* 7/1996 Kohn ..... A01K 1/0114  
209/418
  - D389,530 S \* 1/1998 Herman ..... D21/472
  - D403,133 S \* 12/1998 Howell ..... D30/162
  - D406,413 S \* 3/1999 Russo ..... D30/162
  - 5,921,596 A \* 7/1999 Sheriff ..... A01K 1/0114  
209/418
  - D417,041 S \* 11/1999 Rich ..... D30/162
  - 5,992,306 A \* 11/1999 Chiang ..... A47J 37/1295  
210/464
  - D507,083 S \* 7/2005 Miller ..... D30/162
  - D583,637 S \* 12/2008 Phillips ..... D8/14
- (Continued)

*Primary Examiner* — Sheryl Lane  
(74) *Attorney, Agent, or Firm* — Bishop Diehl & Lee,  
Ltd.

(57) **CLAIM**

The ornamental design for a sand sifting device, as shown and described.

**DESCRIPTION**

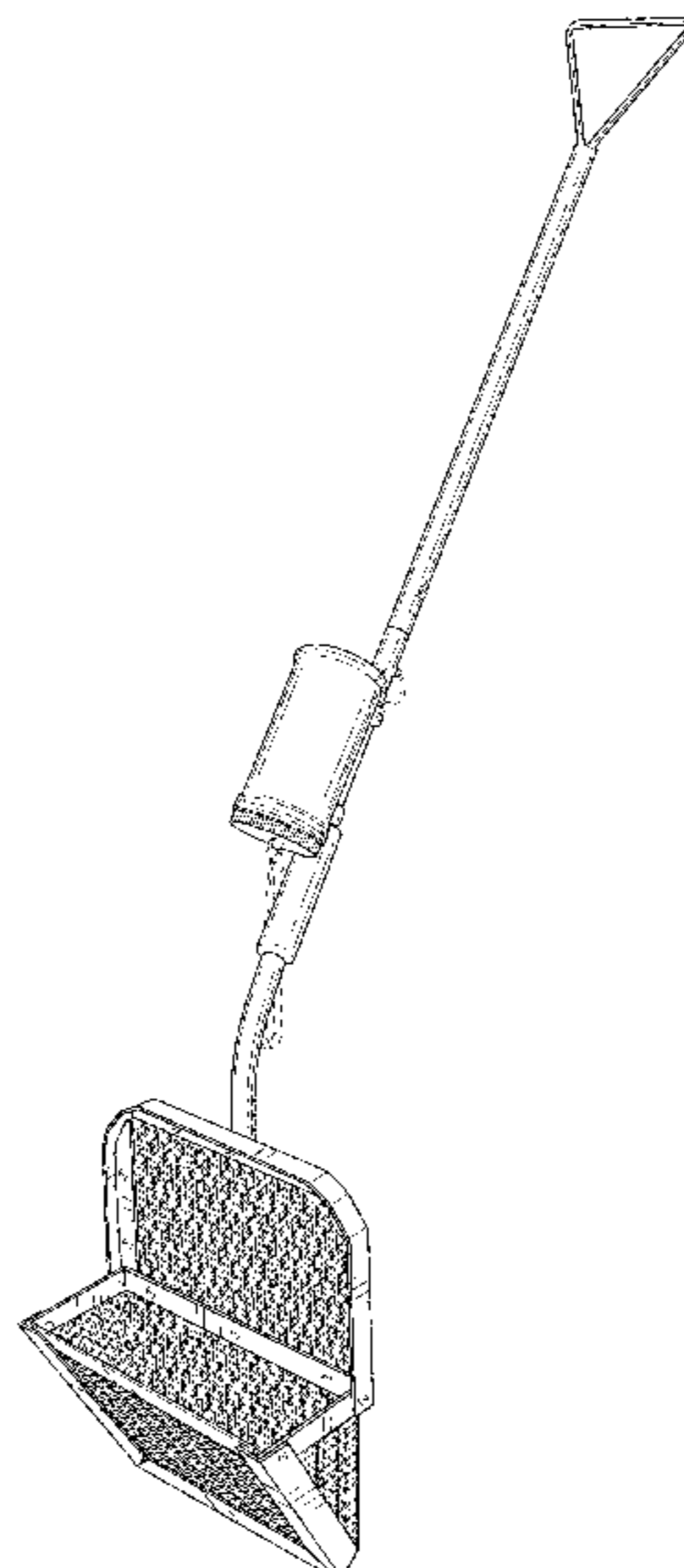
FIG. 1 is an elevated isometric view of a sand sifting device showing our new design;  
 FIG. 2 is a front isometric view of the sand sifting device as shown in FIG. 1;  
 FIG. 3 is a rear isometric view of the sand sifting device as shown in FIG. 1;  
 FIG. 4 is a right side isometric view of the sand sifting device as shown in FIG. 1;  
 FIG. 5 is a left side isometric view of the sand sifting device as shown in FIG. 1;  
 FIG. 6 is a top side isometric view of the sand sifting device as shown in FIG. 1; and,  
 FIG. 7 is a bottom side isometric view of the sand sifting device as shown in FIG. 1.  
 The broken lines represent portions of the article and form no part of the claimed design.

**1 Claim, 6 Drawing Sheets**

(56) **References Cited**

U.S. PATENT DOCUMENTS

- 1,085,434 A \* 1/1914 Kerr ..... F24B 15/08  
209/253
- 1,782,497 A \* 11/1930 Olaf ..... A01K 80/00  
37/316
- 2,305,950 A \* 12/1942 Birch ..... A62C 3/06  
169/48
- 3,608,217 A \* 9/1971 Voisin ..... E02F 3/60  
294/68.26
- 3,627,368 A \* 12/1971 Baughman ..... E01H 1/12  
294/176
- 3,851,763 A \* 12/1974 Ball ..... B07B 1/02  
209/419
- 4,190,279 A \* 2/1980 Sguazzin ..... A01K 80/00  
294/179
- 4,828,690 A \* 5/1989 Montez ..... B07B 1/02  
209/418
- 4,988,005 A \* 1/1991 Graham ..... B07B 1/02  
209/419



(56)

**References Cited**

U.S. PATENT DOCUMENTS

D599,631 S *	9/2009	Guadalupe	.....	D8/1
D626,804 S *	11/2010	Eash	.....	D8/10
D735,541 S *	8/2015	Anderson	.....	D8/1
D744,302 S *	12/2015	Westgard	.....	D7/667
D773,907 S *	12/2016	McCord	.....	D8/1
2004/0004363 A1 *	1/2004	Drewery	.....	B25G 1/04 294/181
2005/0218044 A1 *	10/2005	Bramante	.....	A01B 1/00 209/417
2014/0367314 A1 *	12/2014	Lamjav	.....	B07B 1/46 209/235

\* cited by examiner

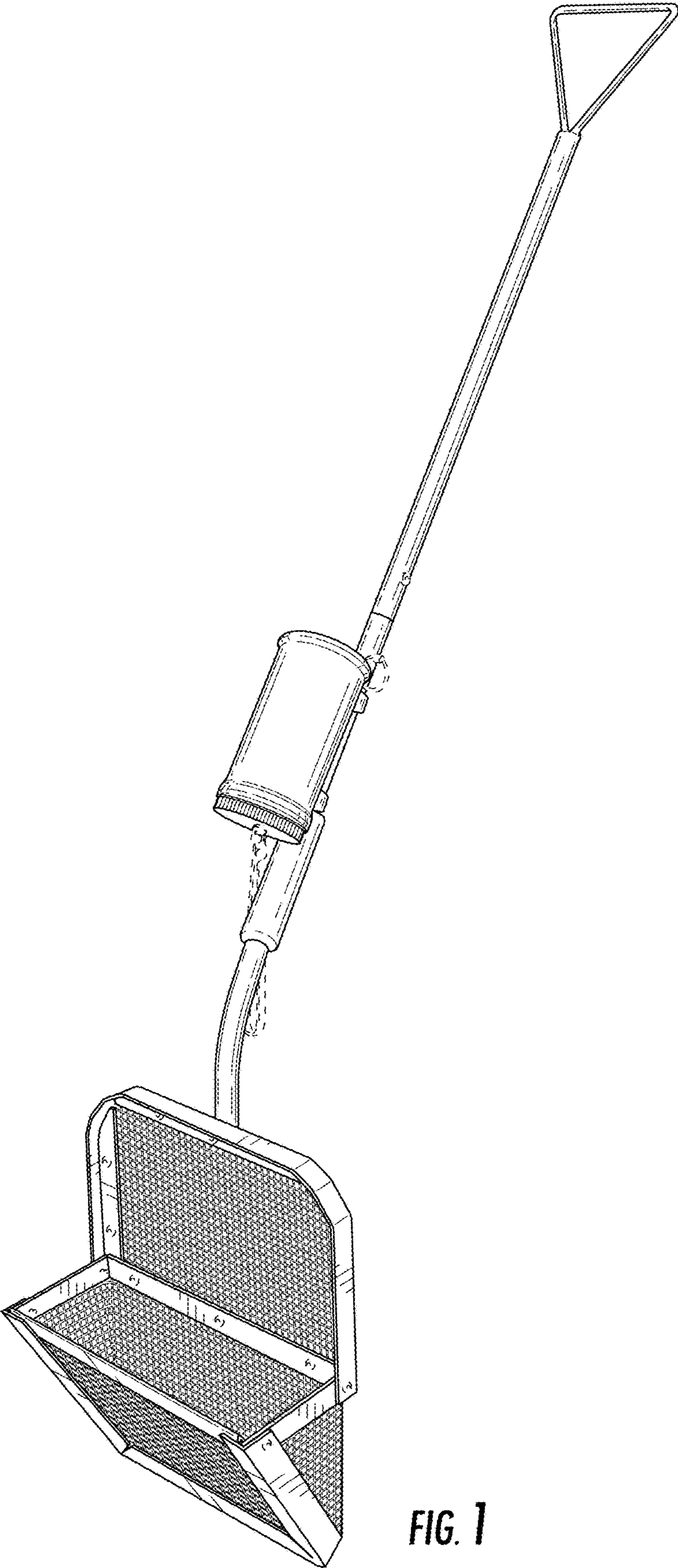


FIG. 1

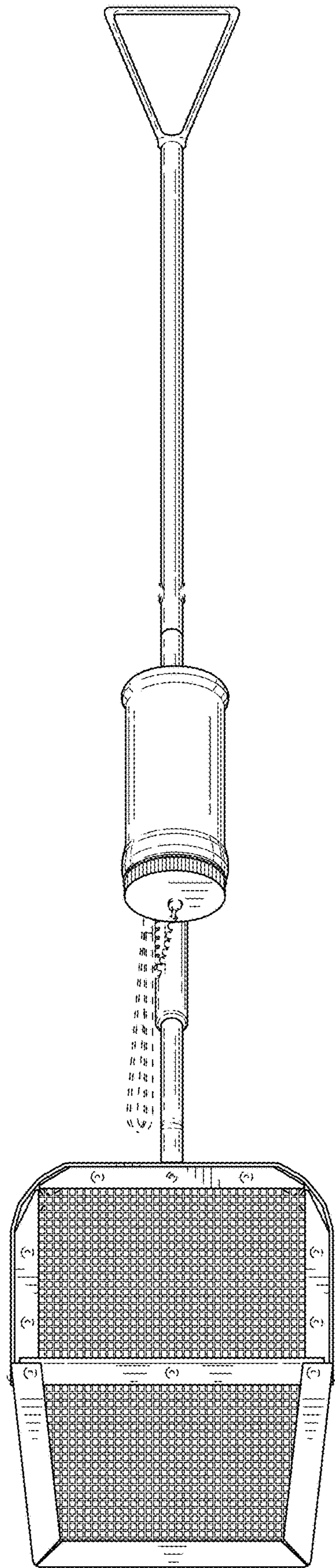


FIG. 2

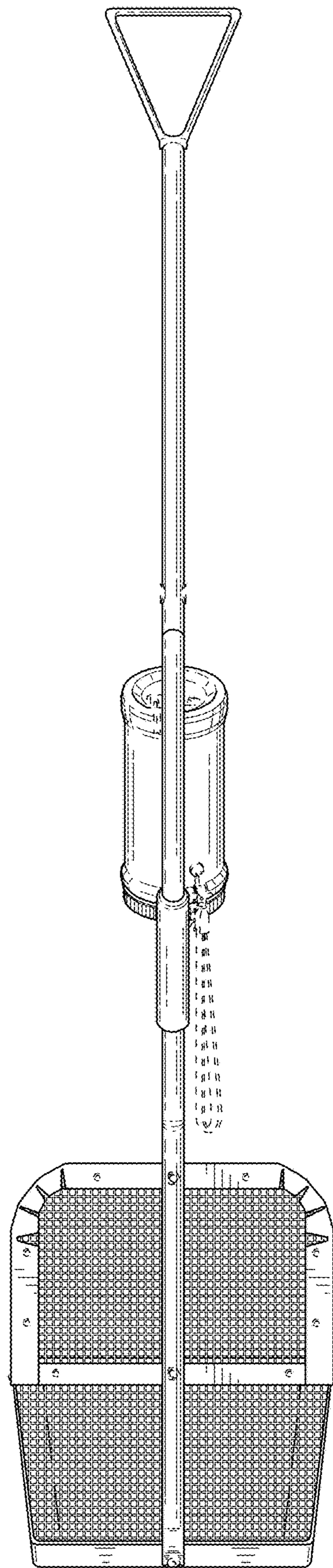


FIG. 3

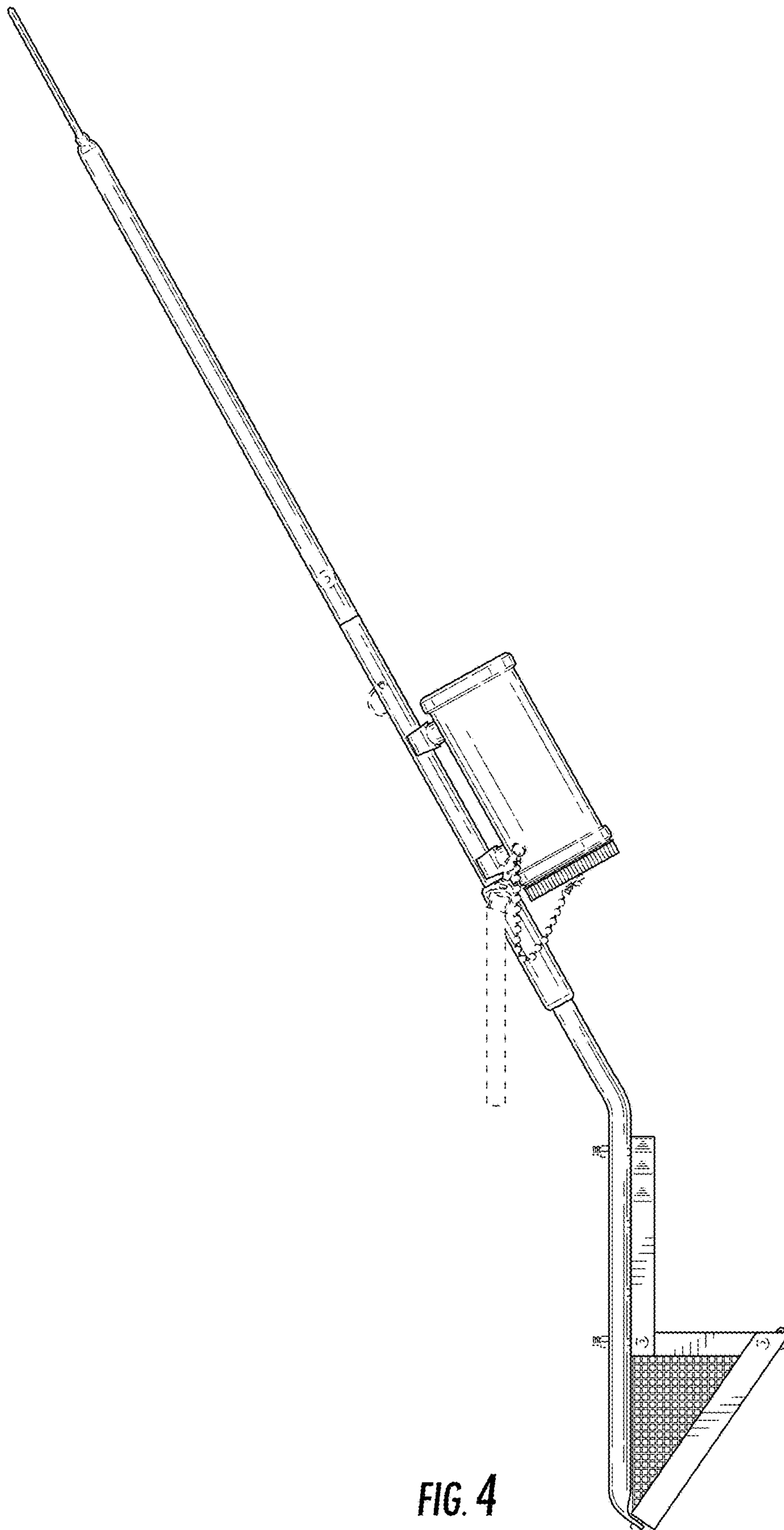
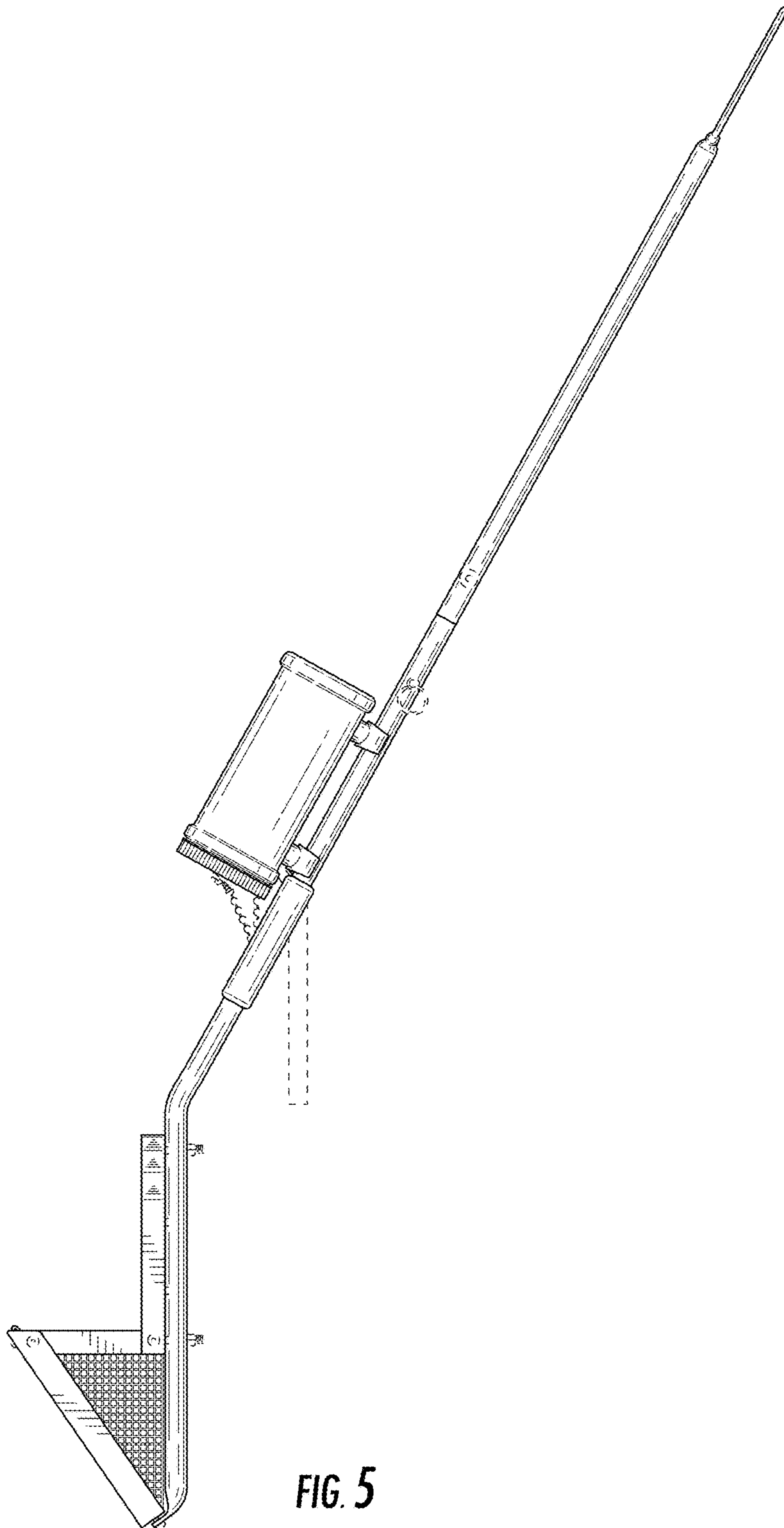


FIG. 4



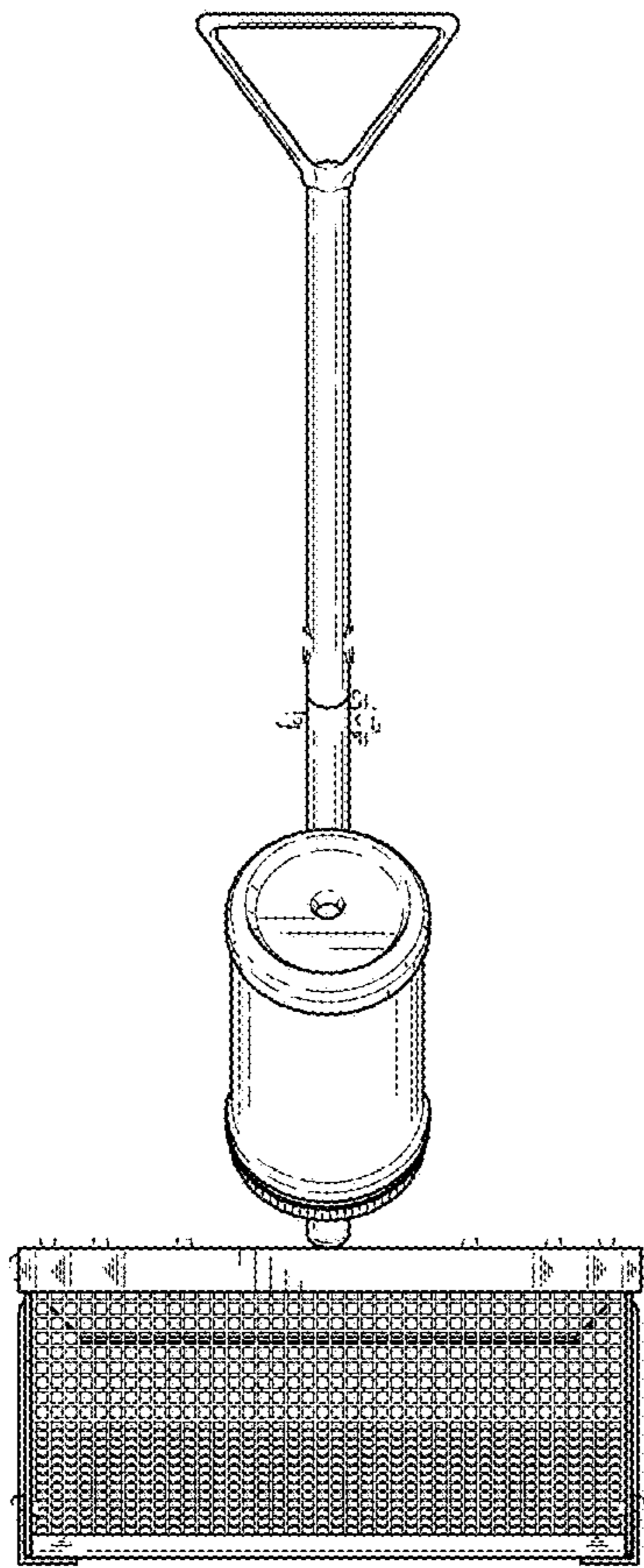


FIG. 6

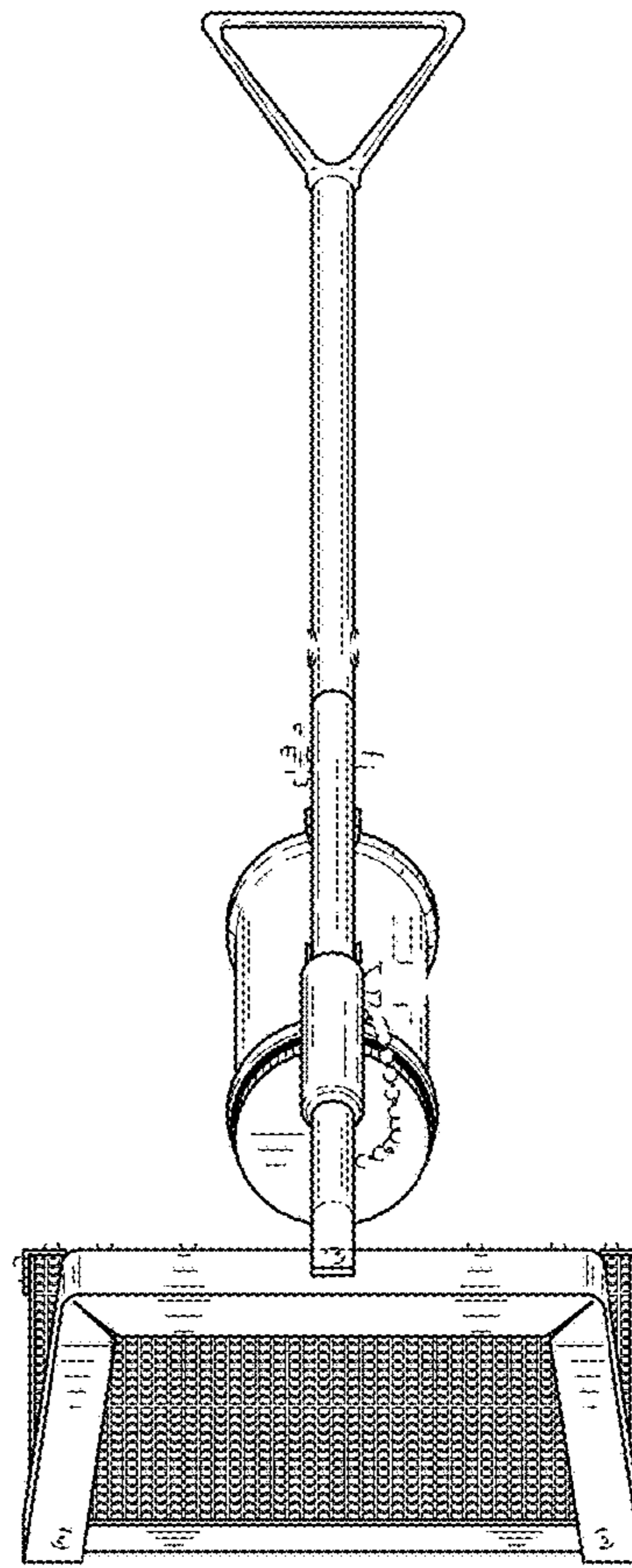


FIG. 7