



US00D790933S

(12) **United States Design Patent**  
**Solly**

(10) **Patent No.:** **US D790,933 S**  
(45) **Date of Patent:** **\*\* Jul. 4, 2017**

(54) **LUNCHBOX**

(71) Applicant: **Smash Asset Management Pty Ltd,**  
Mitcham (AU)

(72) Inventor: **Michael Solly,** Mitcham (AU)

(73) Assignee: **Smash Asset Management Pty Ltd.,**  
Victoria (AU)

(\*\*) Term: **15 Years**

(21) Appl. No.: **29/535,318**

(22) Filed: **Aug. 5, 2015**

(30) **Foreign Application Priority Data**

Feb. 5, 2015 (AU) ..... 360852

(51) **LOC (10) Cl.** ..... **07-99**

(52) **U.S. Cl.**  
USPC ..... **D7/709; D7/607**

(58) **Field of Classification Search**  
USPC ..... D3/273, 276, 284, 283, 285, 287, 289,  
D3/290, 900, 902, 904, 227, 230, 214,  
D3/243; D7/709, 605, 607  
CPC ..... A45C 2003/007; A45C 2003/008; A45C  
3/02; A45C 7/0059; A45C 11/20; A45C  
3/00

See application file for complete search history.

(56) **References Cited**

**U.S. PATENT DOCUMENTS**

D270,969 S \* 10/1983 Stark ..... D3/279  
D383,360 S \* 9/1997 Melk ..... D3/276  
D412,267 S \* 7/1999 Anderson ..... D7/605  
D434,282 S \* 11/2000 Daw ..... D7/709  
D455,551 S \* 4/2002 Stephens ..... D3/276  
D502,811 S \* 3/2005 Premper ..... D3/273  
D618,966 S \* 7/2010 Koehler ..... D7/607  
D633,295 S \* 3/2011 Russell ..... D3/289  
D668,456 S \* 10/2012 Du ..... D3/285

D685,575 S \* 7/2013 Cullen ..... D3/272  
D734,643 S \* 7/2015 Boroski ..... D7/605  
2015/0296945 A1\* 10/2015 Douglas ..... A45C 13/08  
220/592.2  
2016/0355319 A1\* 12/2016 Stephens ..... B65D 81/3813

**OTHER PUBLICATIONS**

Amazon, "Bento Lunch Box-Pink—by mmm . . .", First on sale Nov. 28, 2015. Accessed Feb. 1, 2017. (<https://www.amazon.com/dp/B018N5O86A?psc=1>).\*  
Sarandipity, "Choosing the right lunchbox (plus an awesome giveaway!)", Posted Jan. 17, 2017, Accessed Feb. 1, 2017. (<https://sarandipity.com.au/tag/lunch-box/>).\*

\* cited by examiner

*Primary Examiner* — Jennifer Rivard

*Assistant Examiner* — April Rivas

(74) *Attorney, Agent, or Firm* — K&L Gates LLP

(57) **CLAIM**

The ornamental design for a lunchbox, as shown and described.

**DESCRIPTION**

FIG. 1 illustrates a front perspective view of a lunchbox with a closed lid according to the present disclosure;  
FIG. 2 illustrates a front side elevational view thereof;  
FIG. 3 illustrates a back side elevational view thereof;  
FIG. 4 illustrates a right side elevational view thereof;  
FIG. 5 illustrates a left side elevational view thereof;  
FIG. 6 illustrates a top plan view thereof;  
FIG. 7 illustrates a bottom plan view thereof;  
FIG. 8 illustrates a top perspective view of the lunchbox with the lid attached and opened; and,  
FIG. 9 illustrates a top perspective view of the lunchbox with the lid removed.  
The broken lines shown in the drawings illustrate portions of the lunchbox and form no part of the claimed design.

**1 Claim, 9 Drawing Sheets**

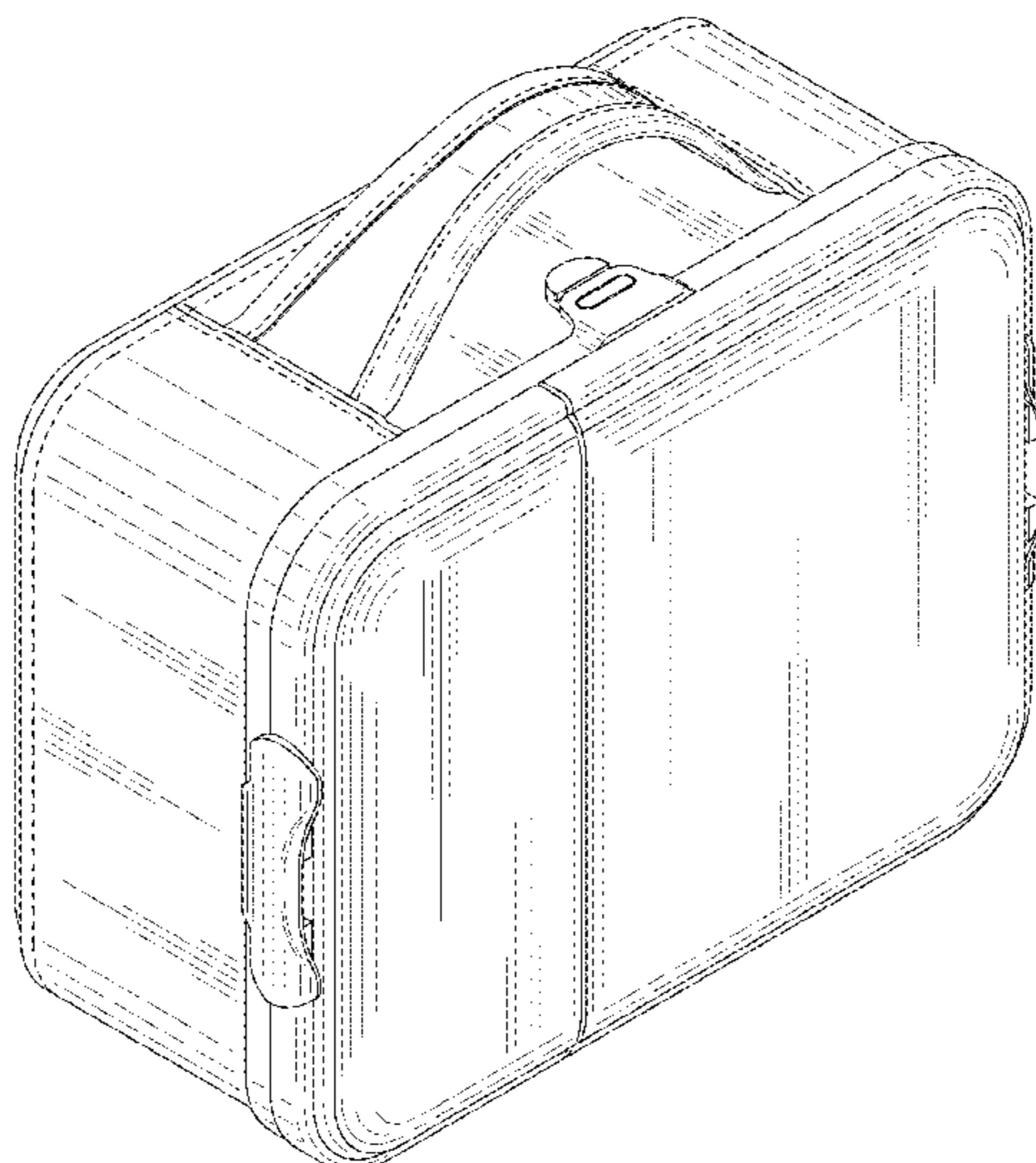




FIG. 1

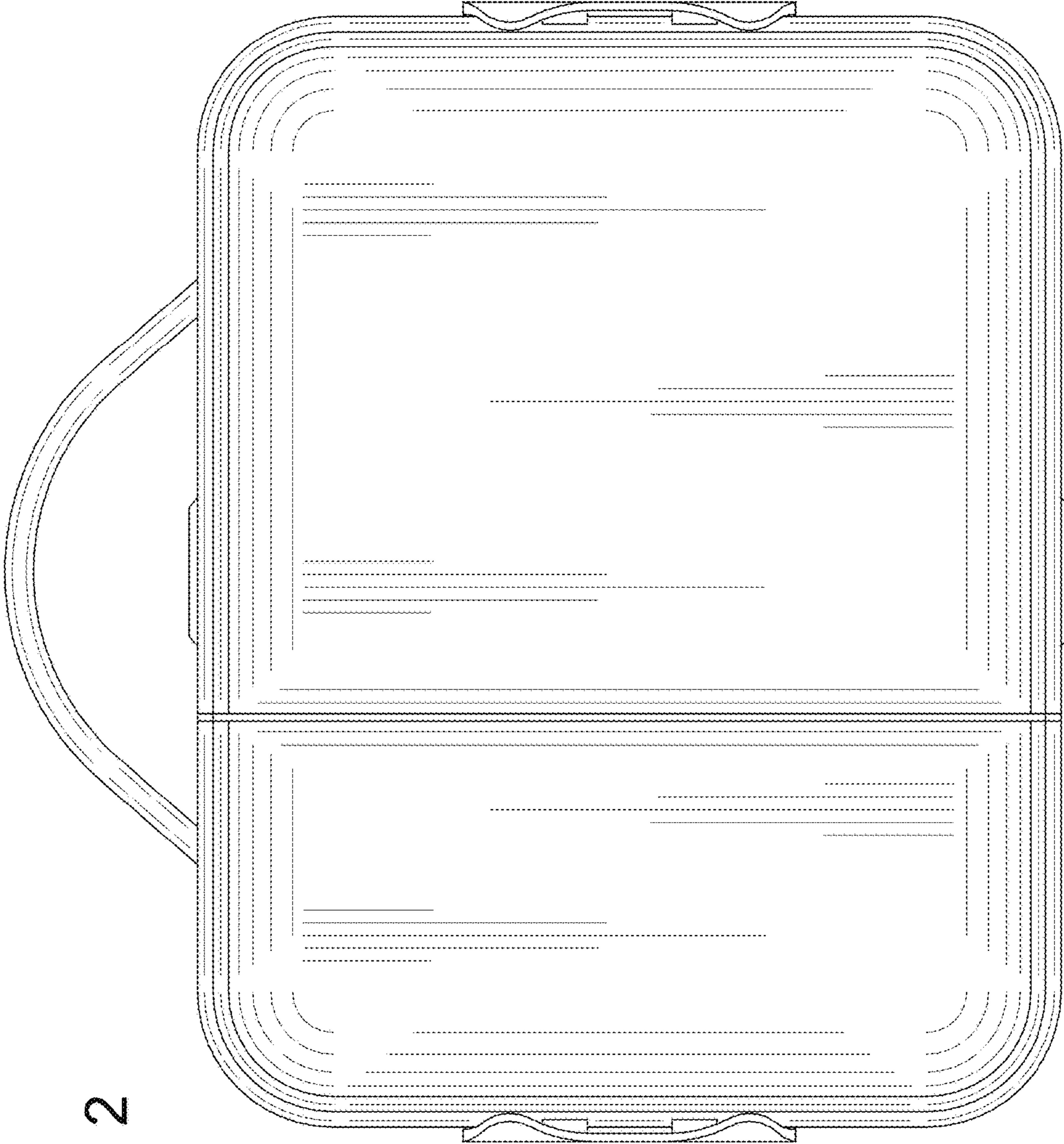


FIG. 2

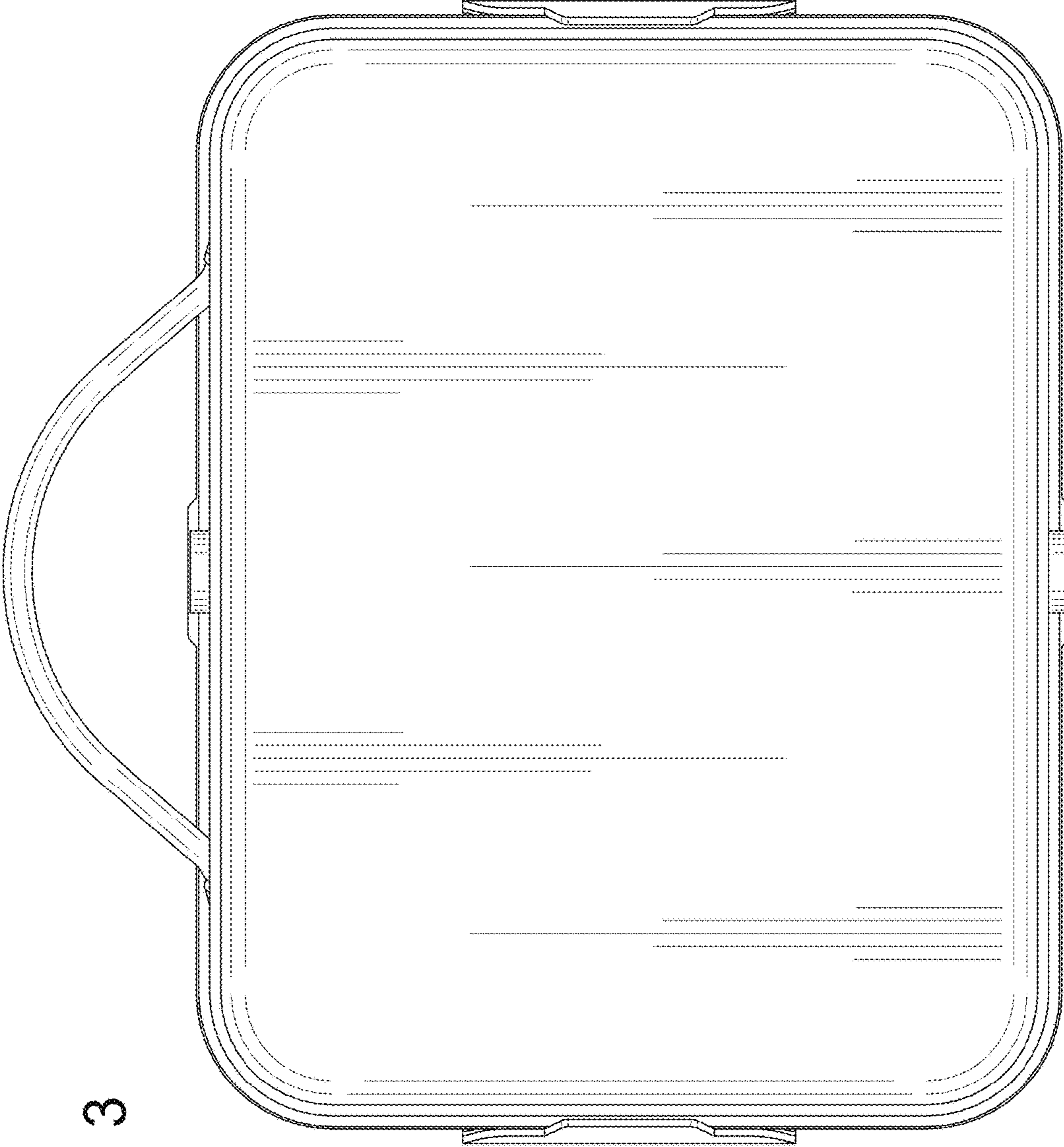


FIG. 3

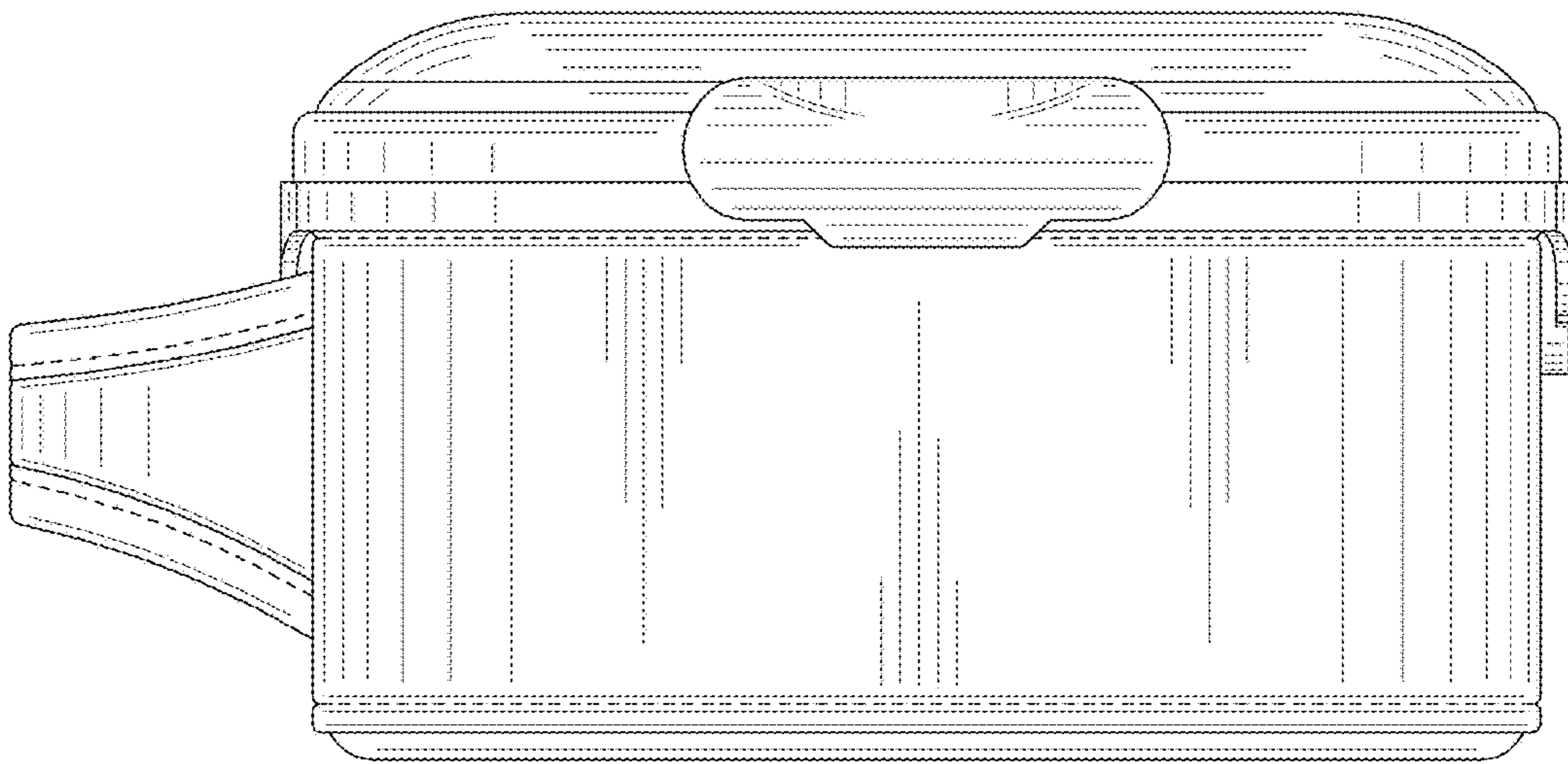


FIG. 4

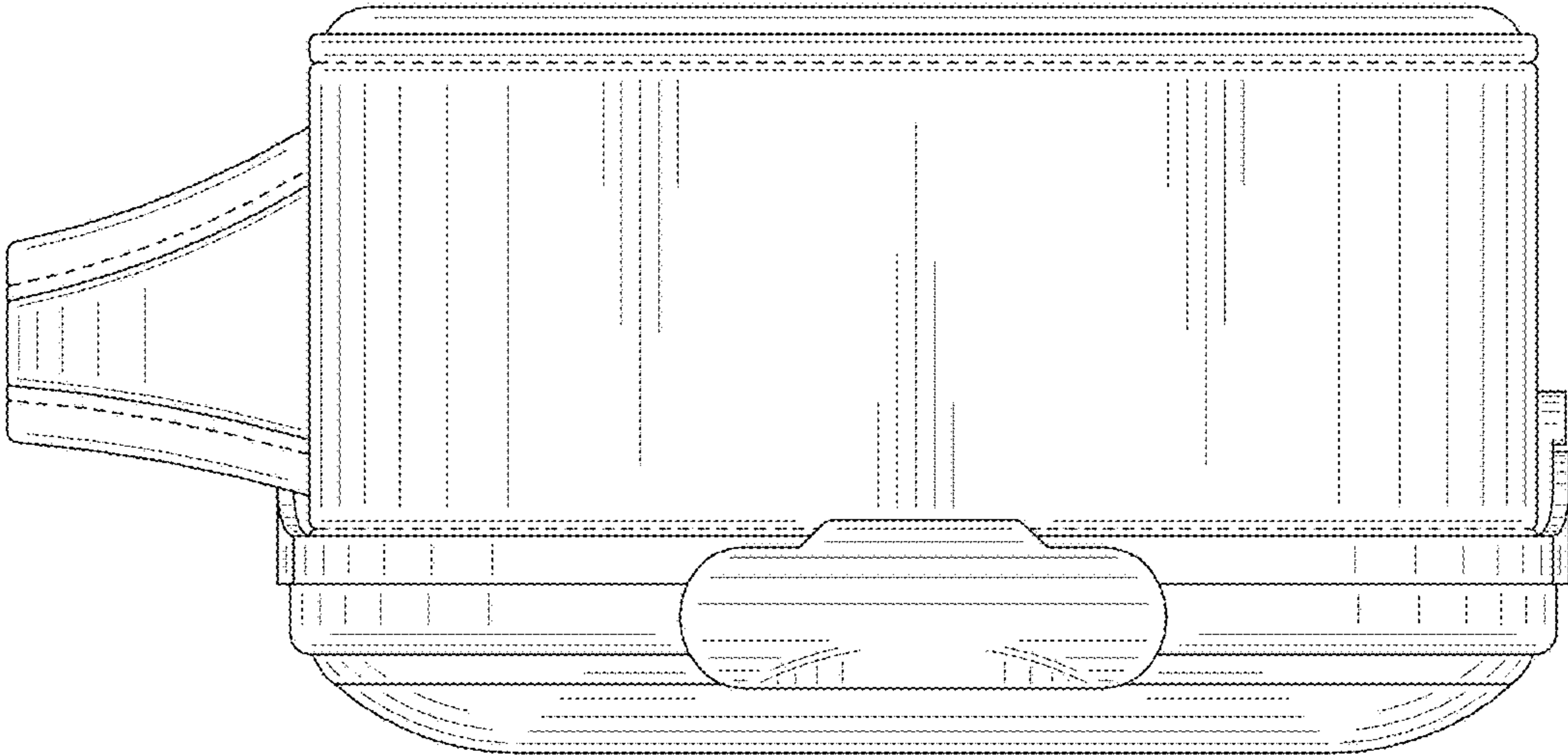


FIG. 5

FIG. 6

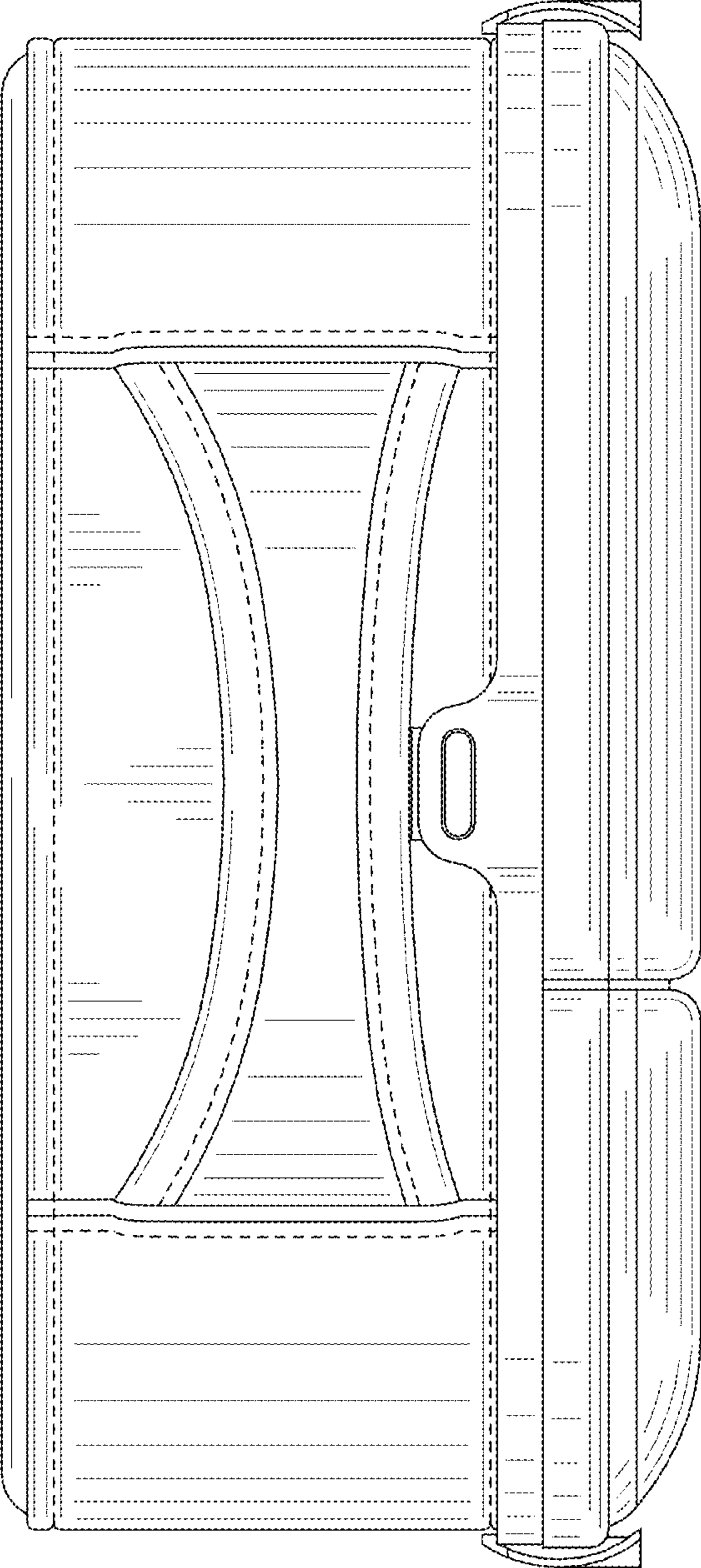
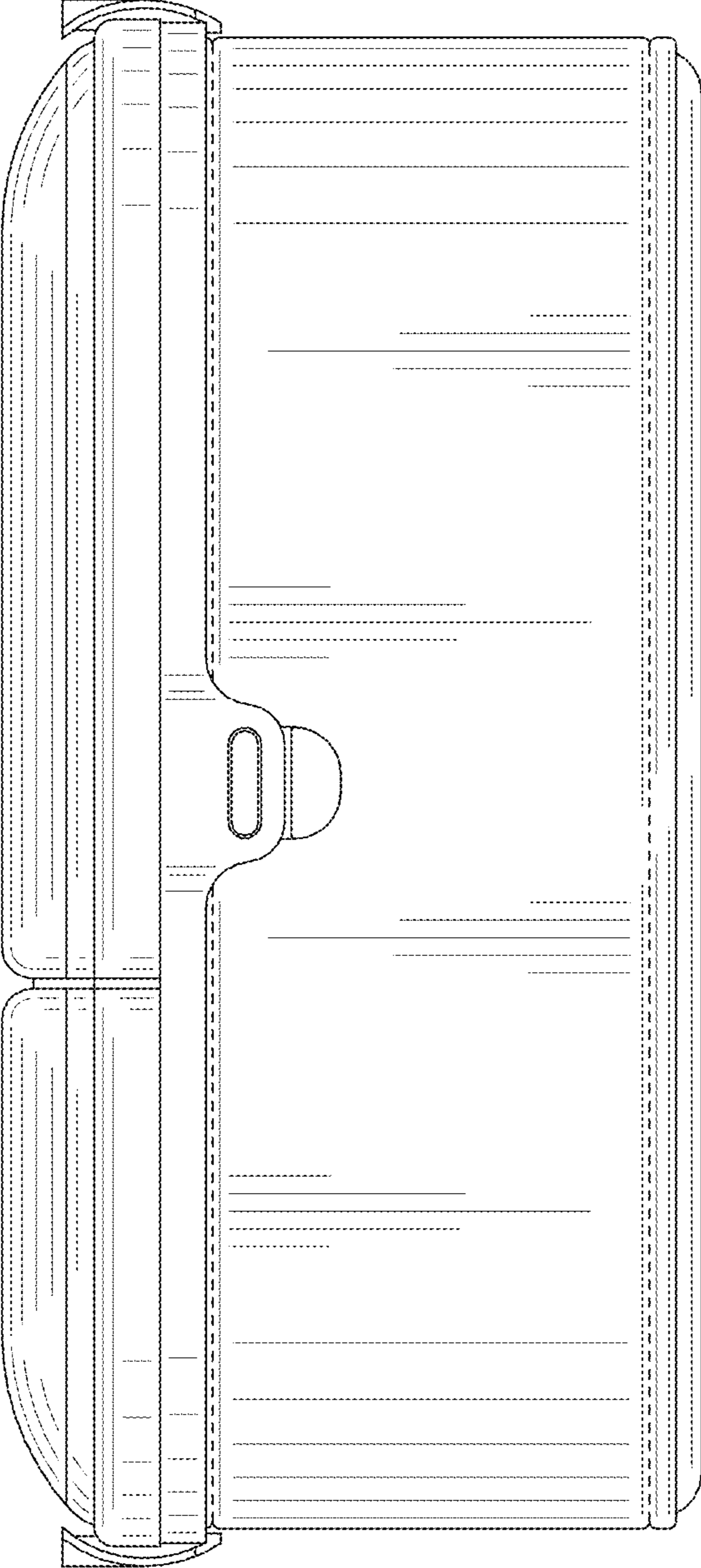


FIG. 7





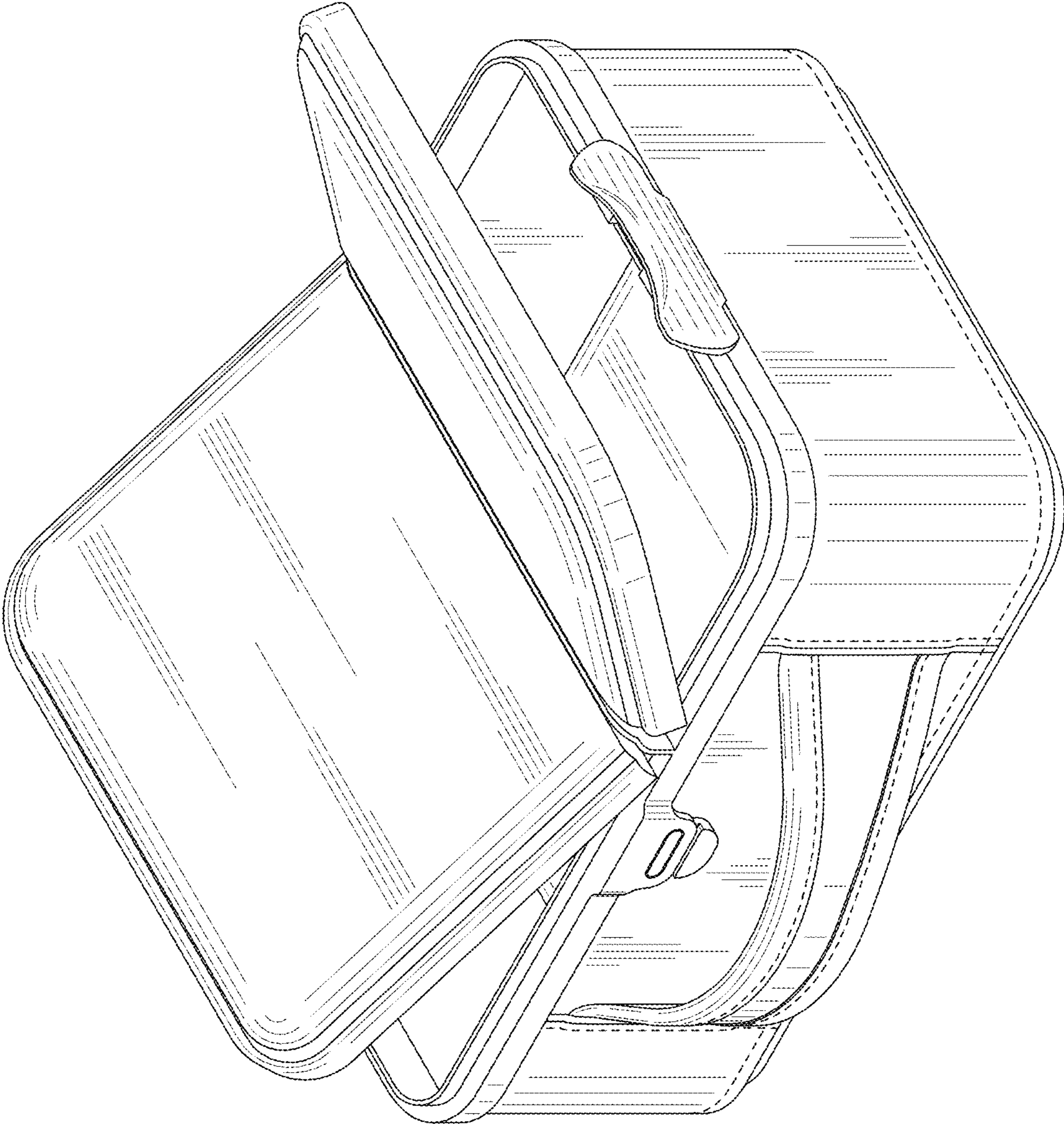


FIG. 8

FIG. 9

