



US00D790931S

(12) **United States Design Patent**  
**Repac**

(10) **Patent No.:** **US D790,931 S**  
(45) **Date of Patent:** **\*\* Jul. 4, 2017**

(54) **HAND-OPERATED DEVICE FOR CHOPPING AND SLICING FOOD**

(71) Applicant: **Genius GmbH**, Limburg (DE)

(72) Inventor: **Cedomir Repac**, Brechen (DE)

(73) Assignee: **GENIUS GMBH**, Limburg (DE)

(\*\*) Term: **14 Years**

(21) Appl. No.: **29/526,287**

(22) Filed: **May 7, 2015**

(30) **Foreign Application Priority Data**

Nov. 7, 2014 (EM) ..... 002573956-0001  
Nov. 7, 2014 (EM) ..... 002573956-0006  
Nov. 7, 2014 (EM) ..... 002573956-0016

(51) **LOC (10) Cl.** ..... **07-04**

(52) **U.S. Cl.**  
USPC ..... **D7/678**

(58) **Field of Classification Search**  
USPC ..... D7/672-676, 693, 359, 412, 372-386,  
D7/677-679; 83/932  
CPC ..... B26D 3/24-3/283; B26D  
2003/285-2003/288; B26D 2210/02;  
B26D 7/01; B26D 7/00; A47J 43/25;  
A47J 43/255  
See application file for complete search history.

(56) **References Cited**

**U.S. PATENT DOCUMENTS**

4,212,431 A \* 7/1980 Doyel ..... A47J 43/25  
241/100  
4,928,893 A \* 5/1990 Prindle ..... A47J 43/25  
241/100  
D330,316 S \* 10/1992 So ..... D7/678

D447,019 S \* 8/2001 Wong ..... D7/673  
D447,391 S \* 9/2001 Bodum ..... D7/678  
D499,615 S \* 12/2004 Nordgren ..... D7/674  
D512,609 S \* 12/2005 Kaposi ..... D7/672  
D632,139 S \* 2/2011 Repac ..... D7/673  
D715,603 S \* 10/2014 McGuyer ..... D7/678  
D730,704 S \* 6/2015 Repac ..... D7/672  
2008/0029631 A1 \* 2/2008 Boerner ..... A47J 43/25  
241/273.1  
2015/0367525 A1 \* 12/2015 Repac ..... B26D 7/00  
83/167  
2016/0158956 A1 \* 6/2016 Repac ..... A47J 43/25  
241/95

\* cited by examiner

*Primary Examiner* — Susan Bennett Hattan

*Assistant Examiner* — Brett Miller

(74) *Attorney, Agent, or Firm* — Hodgson Russ LLP

(57) **CLAIM**

The ornamental design for a hand-operated device for chopping and slicing food, as shown and described.

**DESCRIPTION**

FIG. 1 is a front-top-left perspective view according to a first embodiment of a hand-operated device for chopping and slicing food showing my new design in a closed state, wherein an interior drawer of the device is positioned topwardly, and the device includes a cover over a bottom slicer;

FIG. 2 is a top view thereof;

FIG. 3 is a bottom view thereof;

FIG. 4 is a rear view thereof;

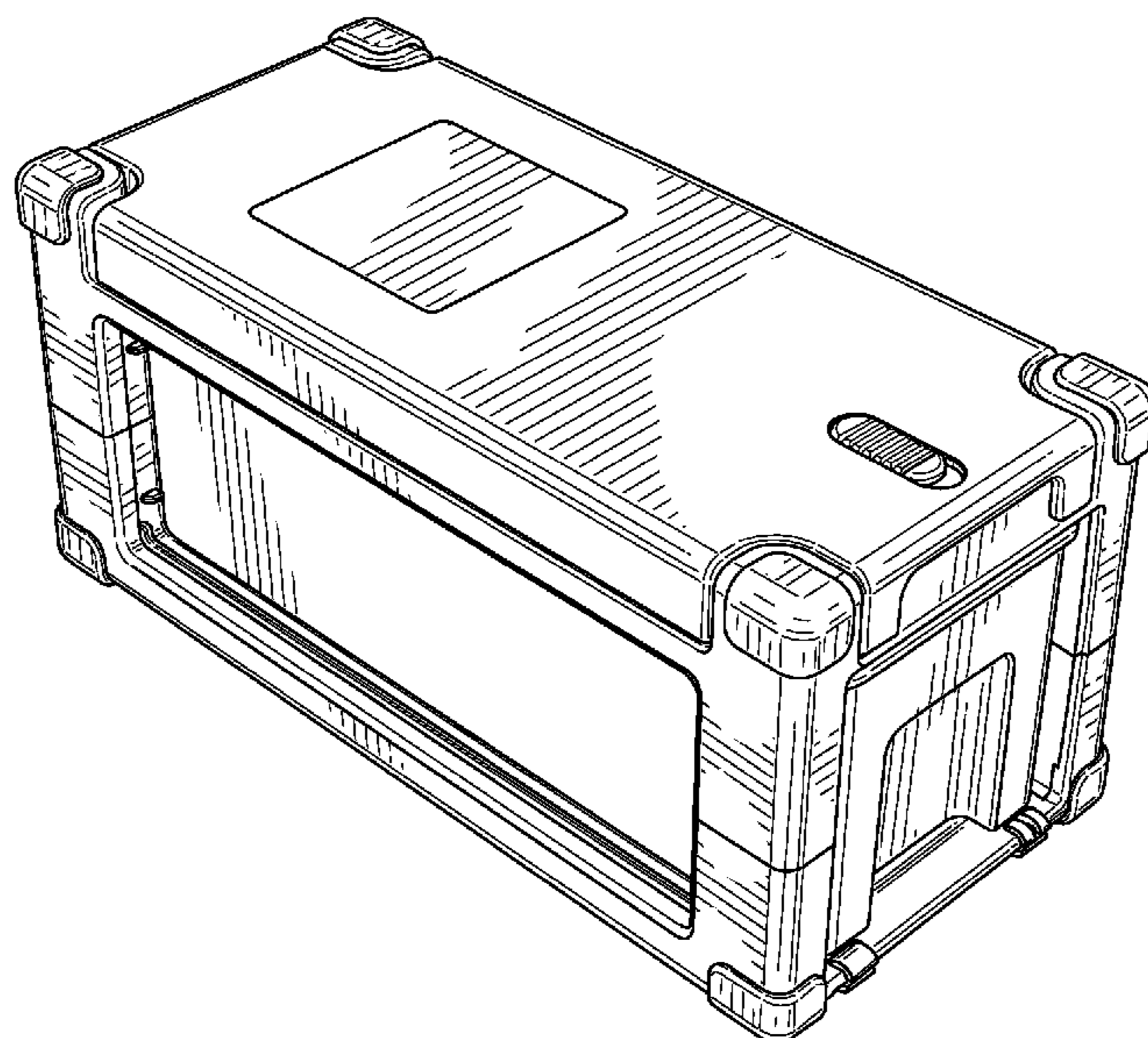
FIG. 5 is a front view thereof;

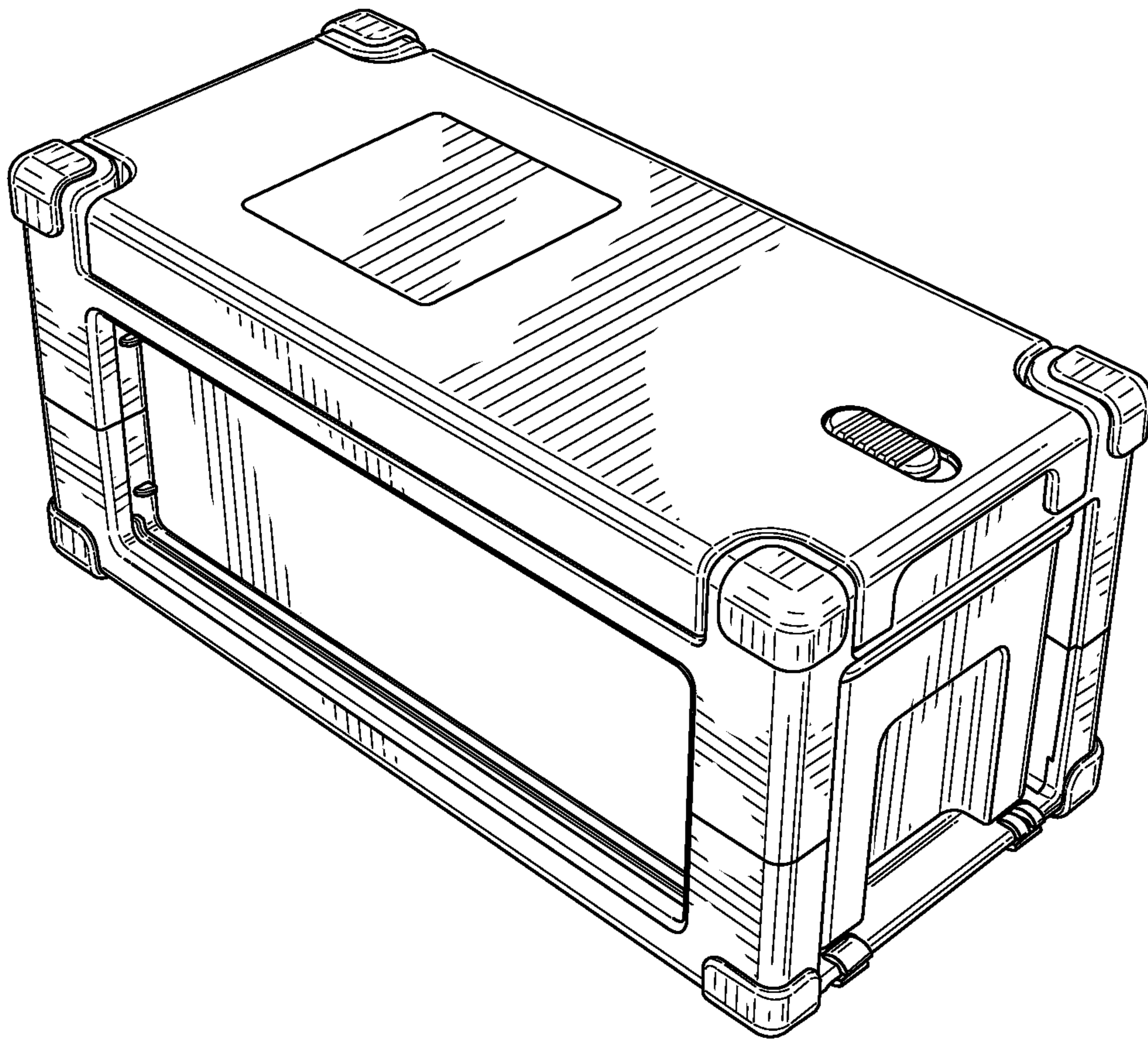
FIG. 6 is a left side view thereof;

FIG. 7 is a right side view thereof; and,

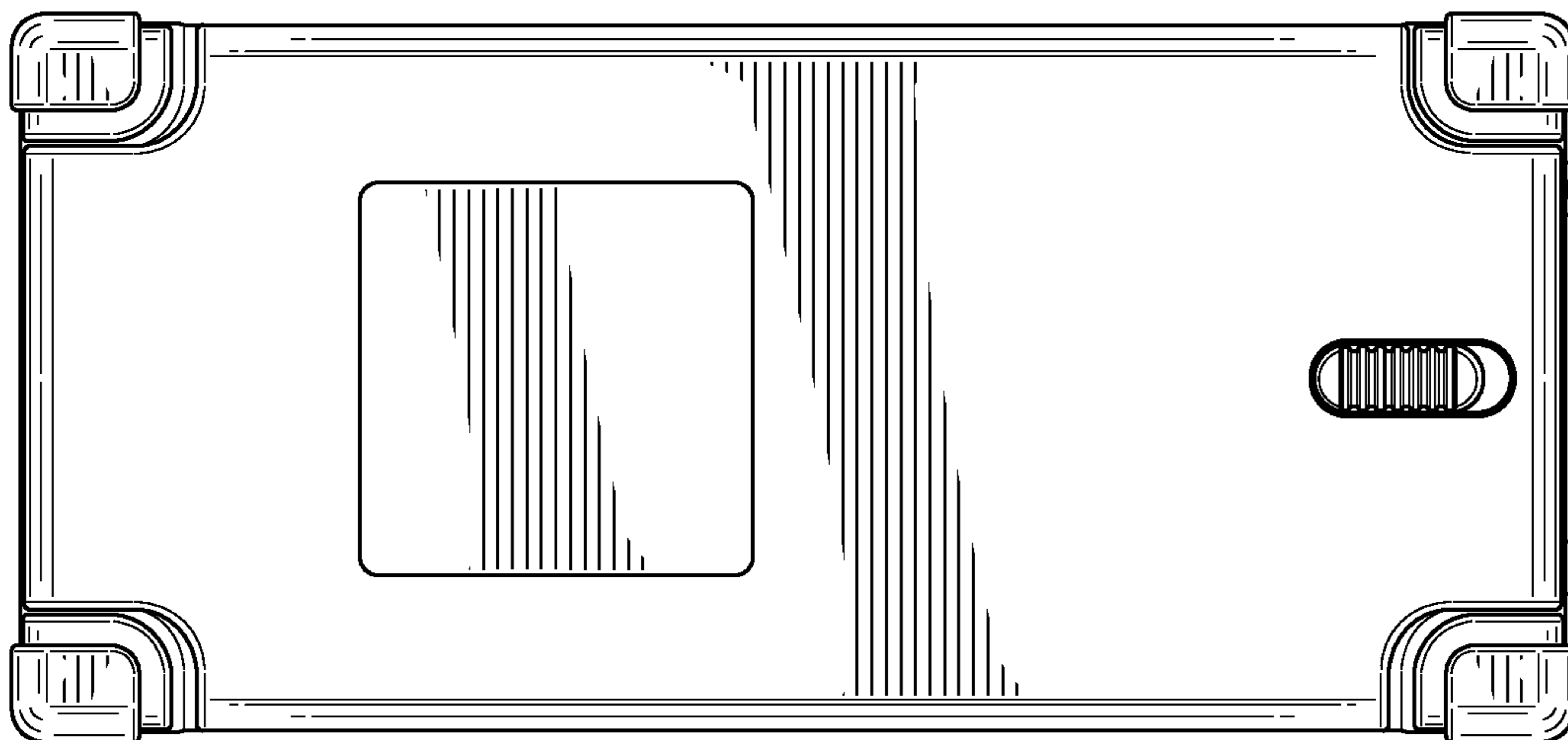
The broken lines depict portions of the device that form no part of the claim.

**1 Claim, 6 Drawing Sheets**

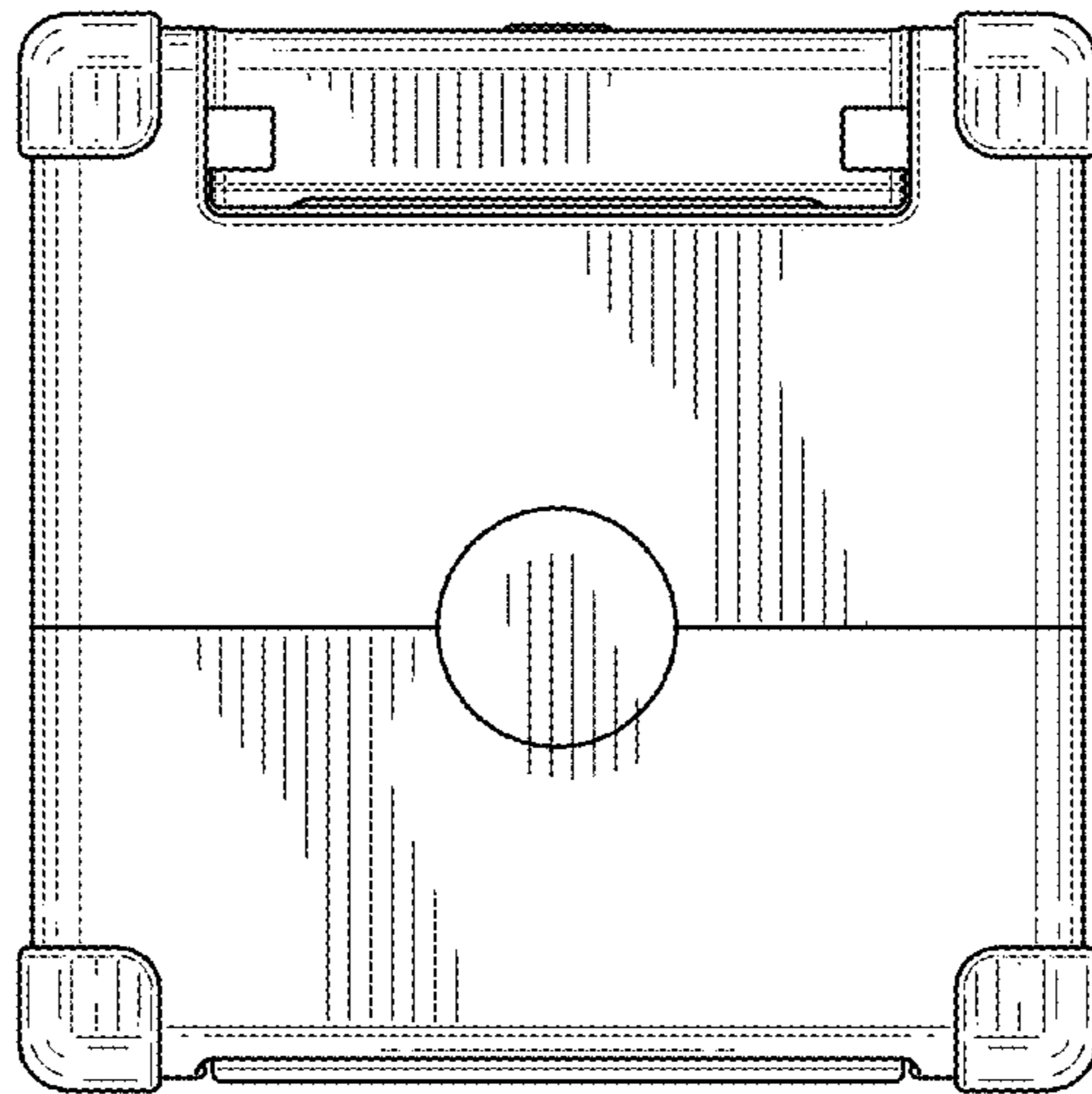




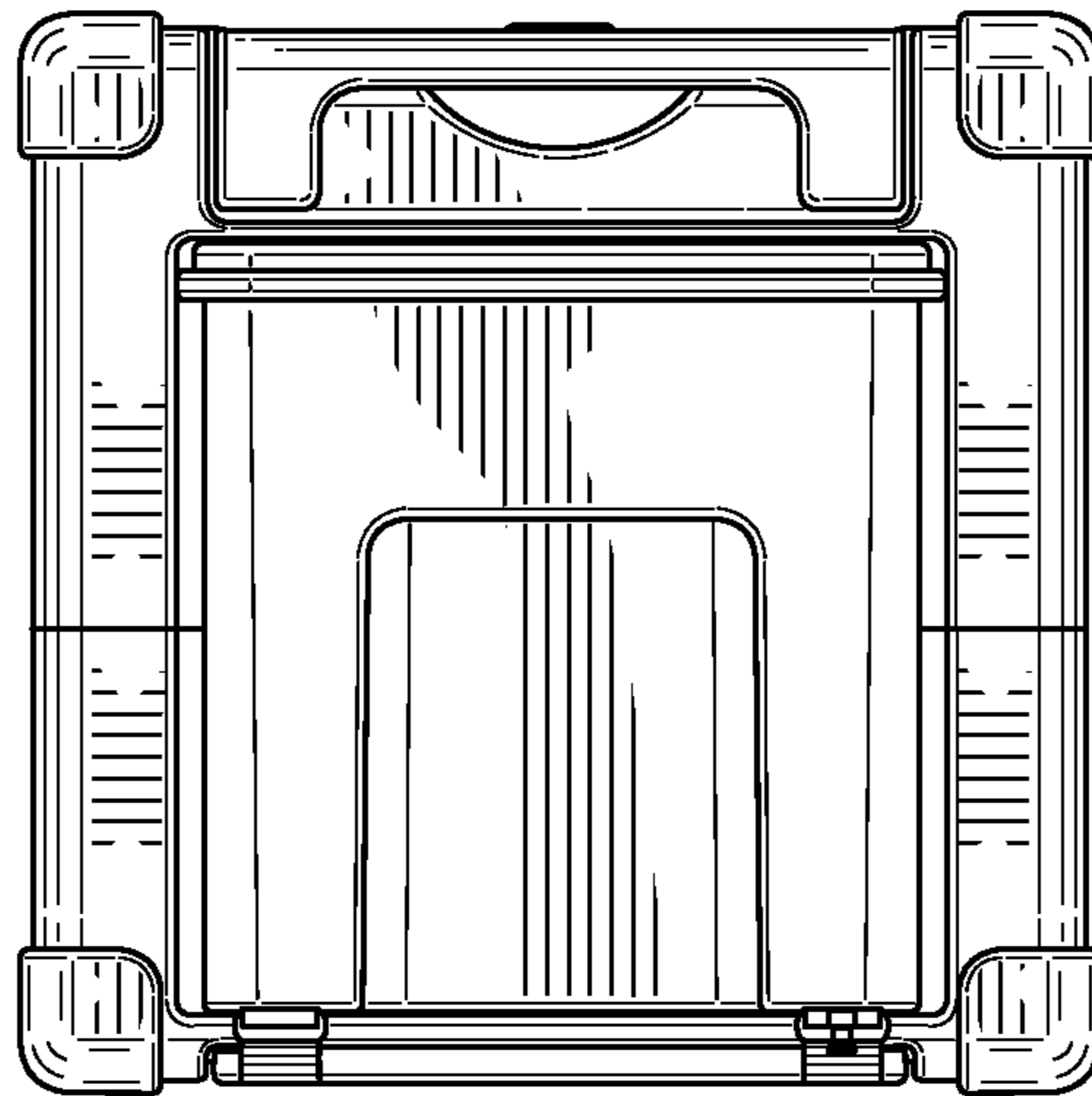
**FIG. 1**



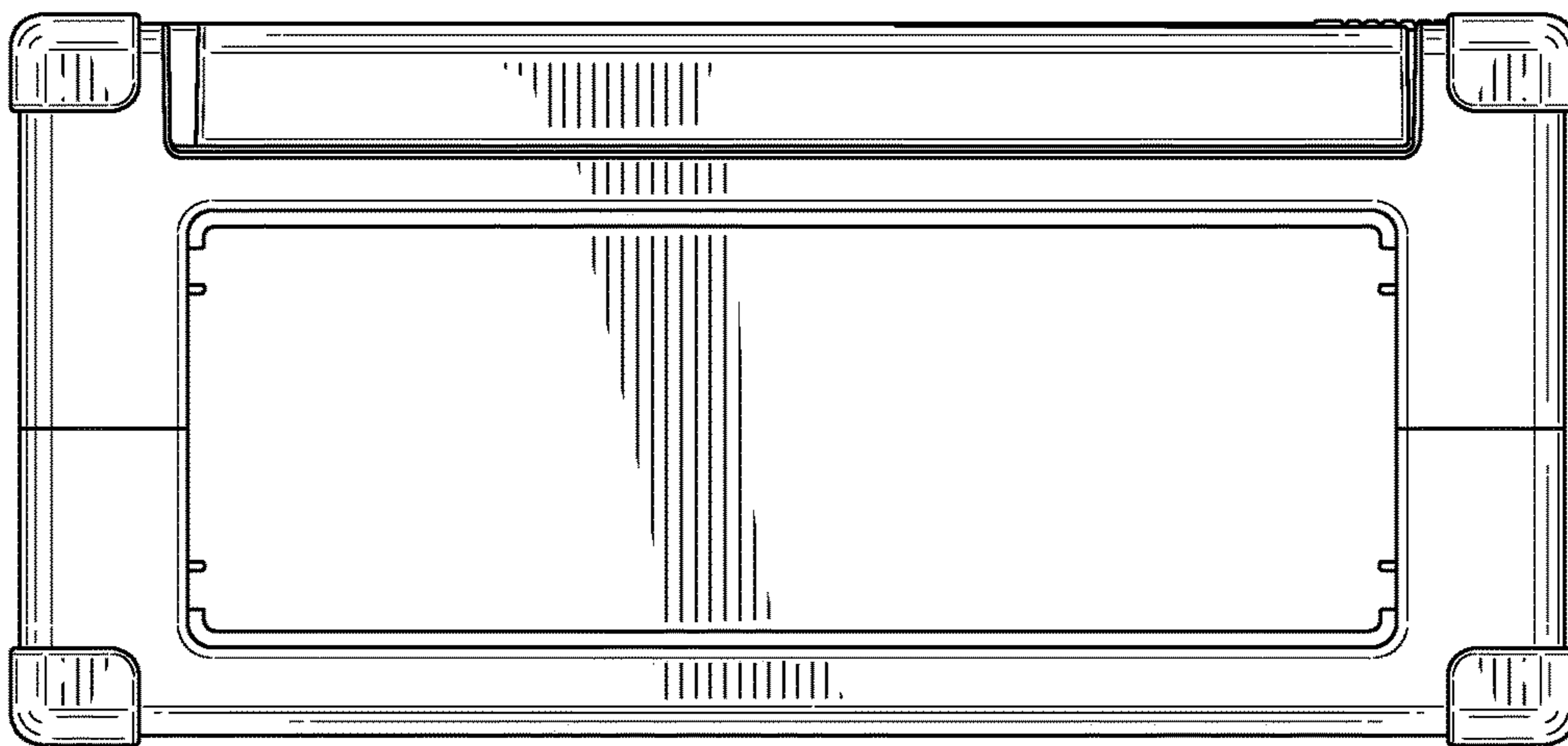
**FIG. 2**



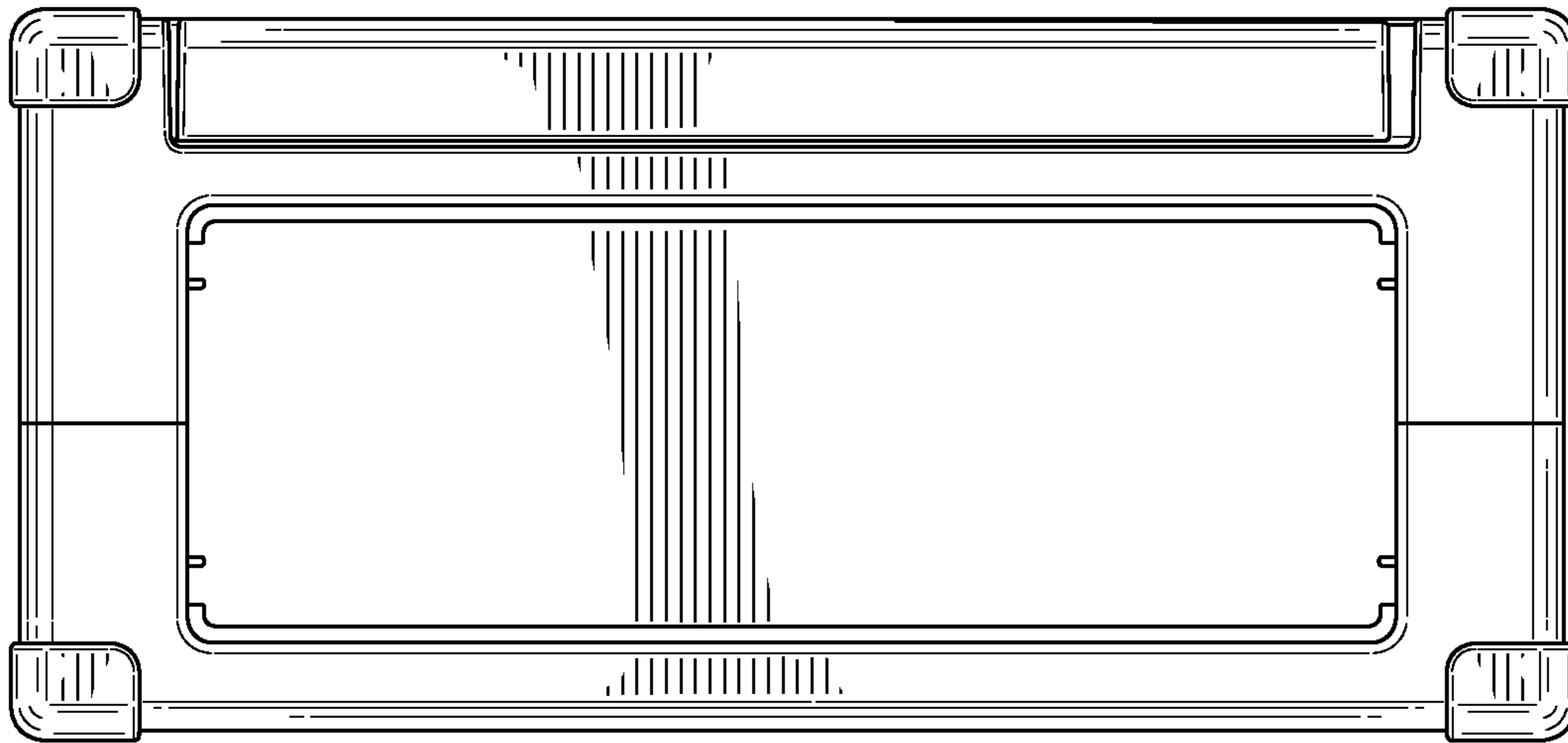
**FIG. 4**



**FIG. 5**



**FIG. 6**



**FIG. 7**

UNITED STATES PATENT AND TRADEMARK OFFICE  
**CERTIFICATE OF CORRECTION**

PATENT NO. : D790,931 S  
APPLICATION NO. : 29/526287  
DATED : July 4, 2017  
INVENTOR(S) : Cedomir Repac

Page 1 of 9

It is certified that error appears in the above-identified patent and that said Letters Patent is hereby corrected as shown below:

On the Title Page

Replace Title Page with the attached Title Page

In the Drawings

Replace Drawing Sheets 1-6 with the attached Drawing Sheets 1-7

Signed and Sealed this  
Seventeenth Day of October, 2017



Joseph Matal  
*Performing the Functions and Duties of the  
Under Secretary of Commerce for Intellectual Property and  
Director of the United States Patent and Trademark Office*



(12) **United States Design Patent** (10) **Patent No.:** **US D790,931 S**  
**Repac** (45) **Date of Patent:** **\*\* Jul. 4, 2017**

(54) **HAND-OPERATED DEVICE FOR CHOPPING AND SLICING FOOD**

(71) Applicant: **Genius GmbH, Limburg (DE)**

(72) Inventor: **Cedomir Repac, Brechen (DE)**

(73) Assignee: **GENIUS GMBH, Limburg (DE)**

(\*\*) Term: **14 Years**

(21) Appl. No.: **29/526,287**

(22) Filed: **May 7, 2015**

(30) **Foreign Application Priority Data**

Nov. 7, 2014 (EM) ..... 002573956-0001  
 Nov. 7, 2014 (EM) ..... 002573956-0006  
 Nov. 7, 2014 (EM) ..... 002573956-0016

(51) **LOC (10) CL.** ..... **07-04**

(52) **U.S. CL.**  
 USPC ..... **D7/678**

(58) **Field of Classification Search**  
 USPC ..... D7/672-676, 693, 359, 412, 372-386,  
 D7/677-679; 83/932  
 CPC ..... B26D 3/24 3/283; B26D  
 2003/285-2003/288; B26D 2210/02;  
 B26D 7/01; B26D 7/00; A47J 43/25;  
 A47J 43/255

See application file for complete search history.

(56) **References Cited**

**U.S. PATENT DOCUMENTS**

4,212,431 A \* 7/1980 Doyel ..... A47J 43/25  
 241/100  
 4,928,893 A \* 5/1990 Prindle ..... A47J 43/25  
 241/100  
 D330,316 S \* 10/1992 So ..... D7/678

D447,019 S \* 8/2001 Wong ..... D7/673  
 D447,391 S \* 9/2001 Bodum ..... D7/678  
 D499,615 S \* 12/2004 Nordgren ..... D7/674  
 D512,609 S \* 12/2005 Kaposi ..... D7/672  
 D632,139 S \* 2/2011 Repac ..... D7/673  
 D715,603 S \* 10/2014 McGuyer ..... D7/678  
 D730,704 S \* 6/2015 Repac ..... D7/672  
 2008/0029631 A1 \* 2/2008 Boemer ..... A47J 43/25  
 241/273.1  
 2015/0367525 A1 \* 12/2015 Repac ..... B26D 7/00  
 83/167  
 2016-0158956 A1 \* 6/2016 Repac ..... A47J 43/25  
 241/95

\* cited by examiner

*Primary Examiner* — Susan Bennett Hattam

*Assistant Examiner* — Brett Miller

(74) *Attorney, Agent, or Firm* — Hodgson Russ LLP

(57) **CLAIM**

The ornamental design for a hand-operated device for chopping and slicing food, as shown and described.

**DESCRIPTION**

FIG. 1 is a front-top-left perspective view according to a first embodiment of a hand-operated device for chopping and slicing food showing my new design in a closed state, wherein an interior drawer of the device is positioned topwardly, and the device includes a cover over a bottom slicer;

FIG. 2 is a top view thereof;

FIG. 3 is a bottom view thereof;

FIG. 4 is a rear view thereof;

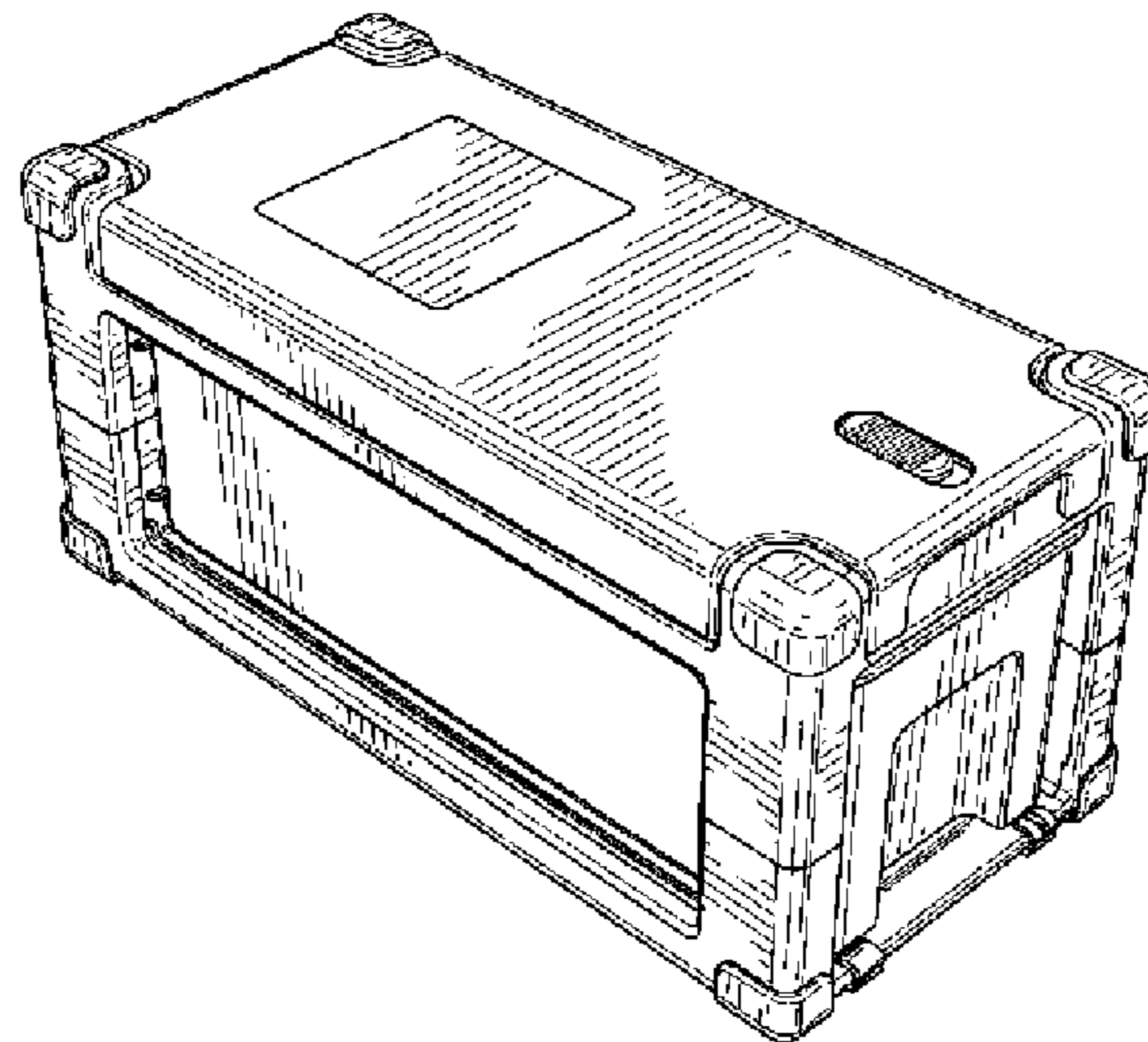
FIG. 5 is a front view thereof;

FIG. 6 is a left side view thereof;

FIG. 7 is a right side view thereof; and,

The broken lines depict portions of the device that form no part of the claim.

**1 Claim, 7 Drawing Sheets**



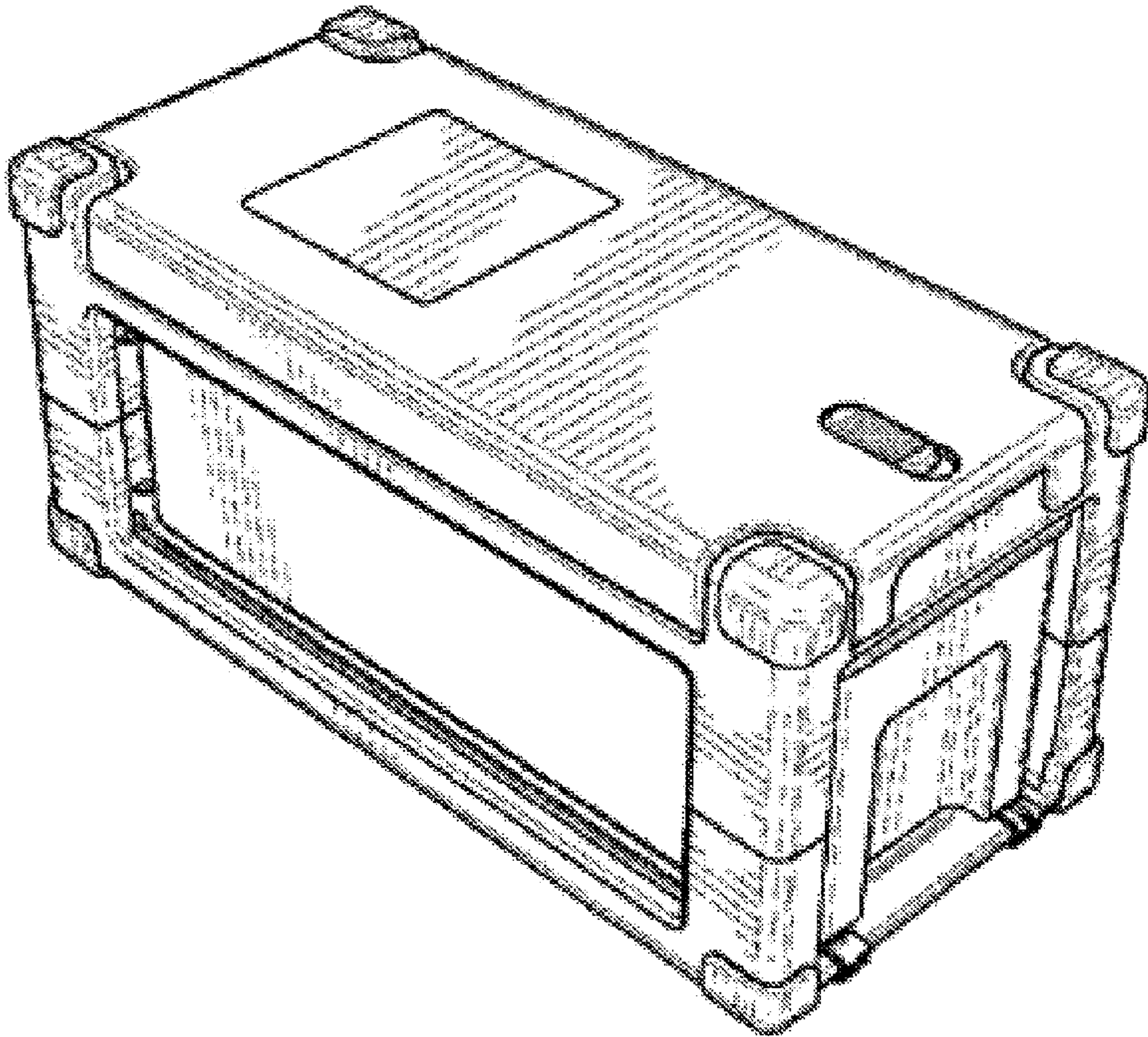
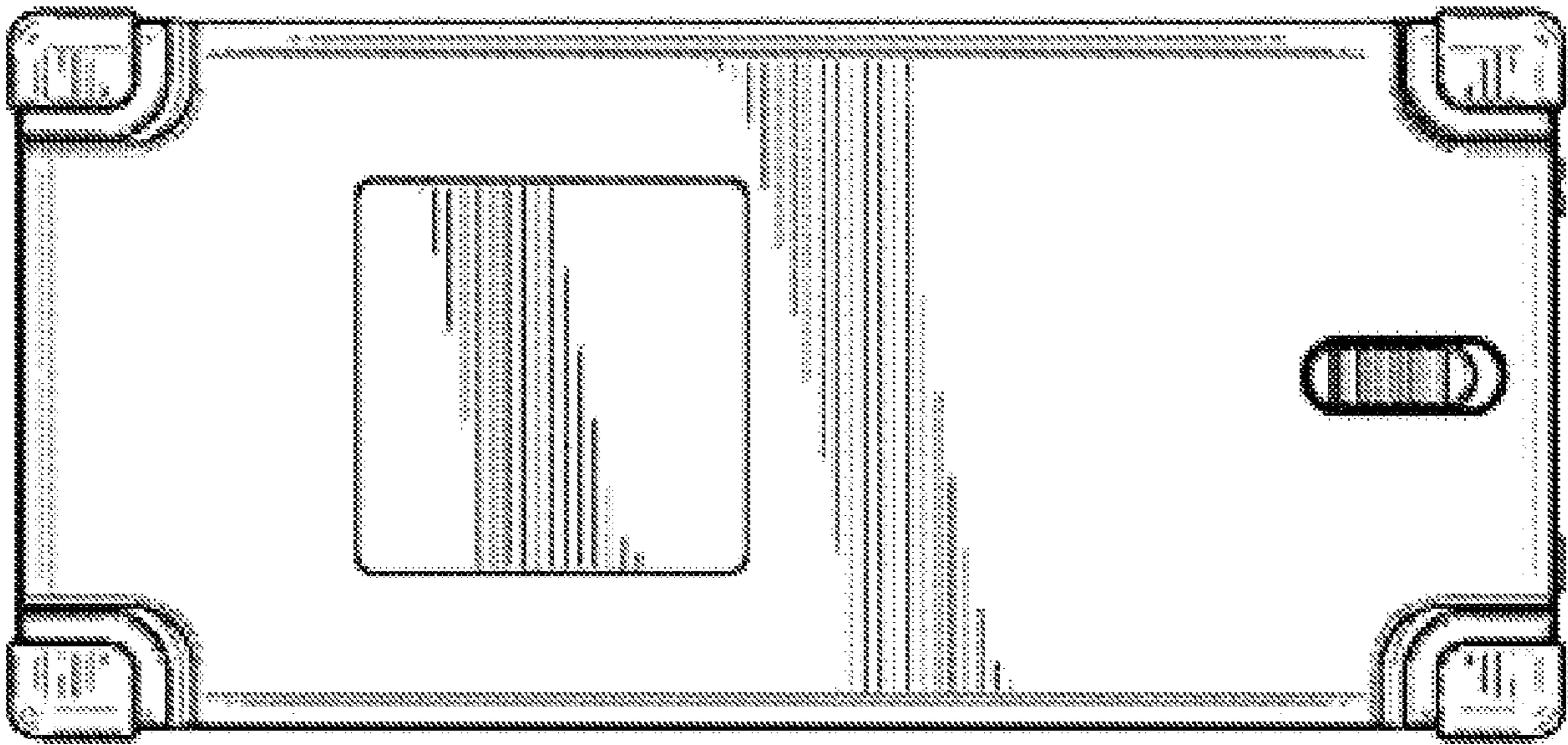
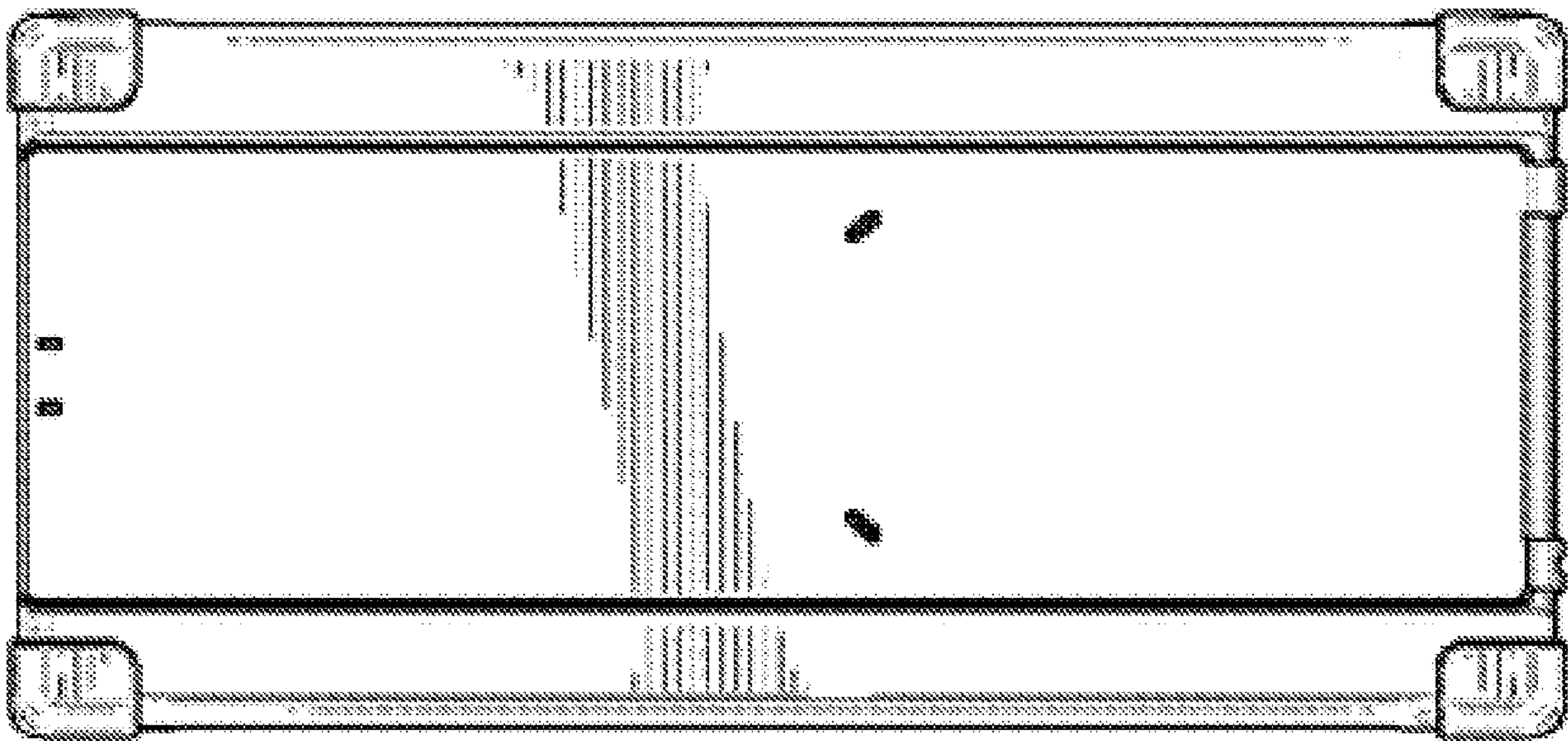


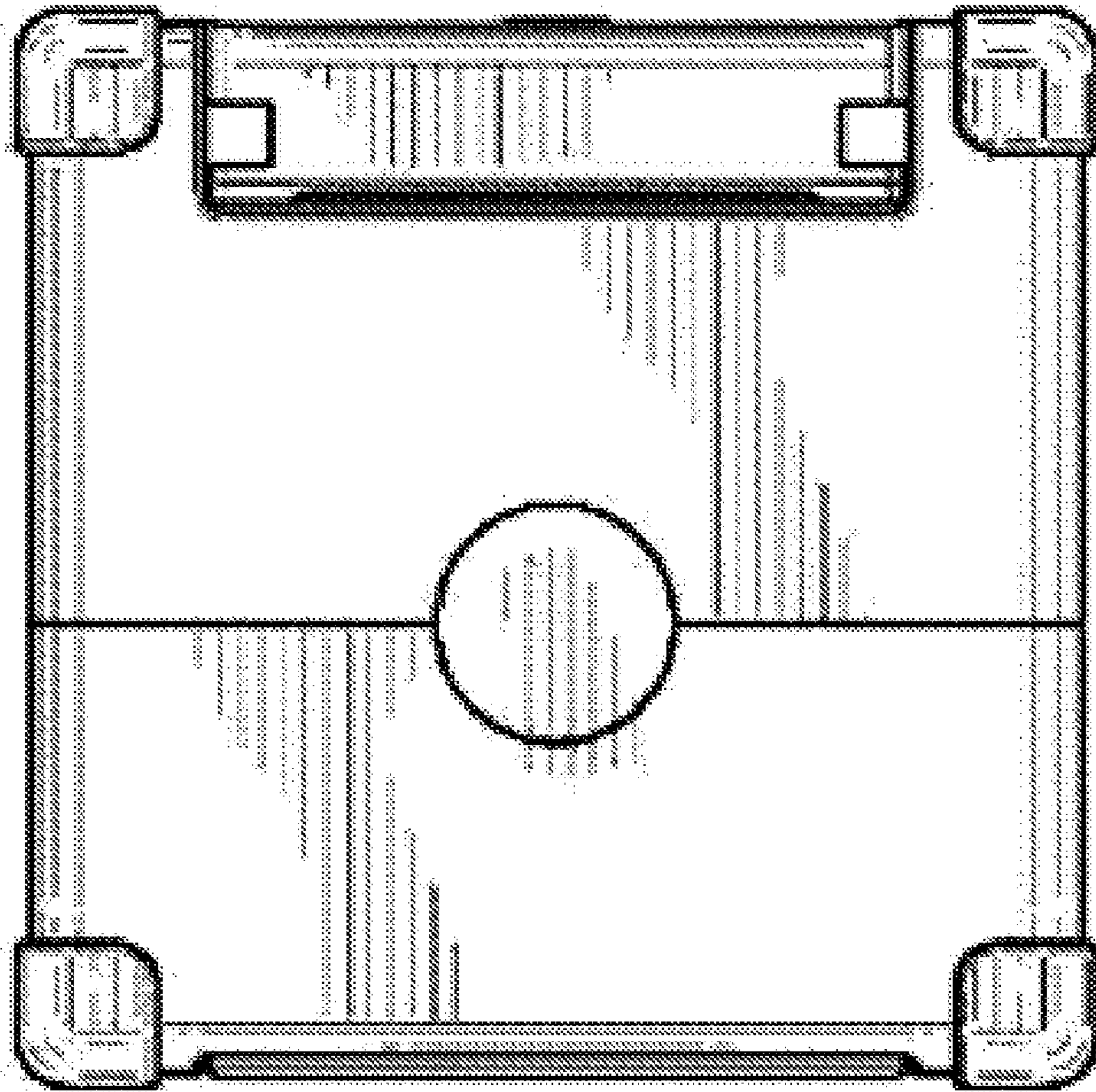
FIG. 1



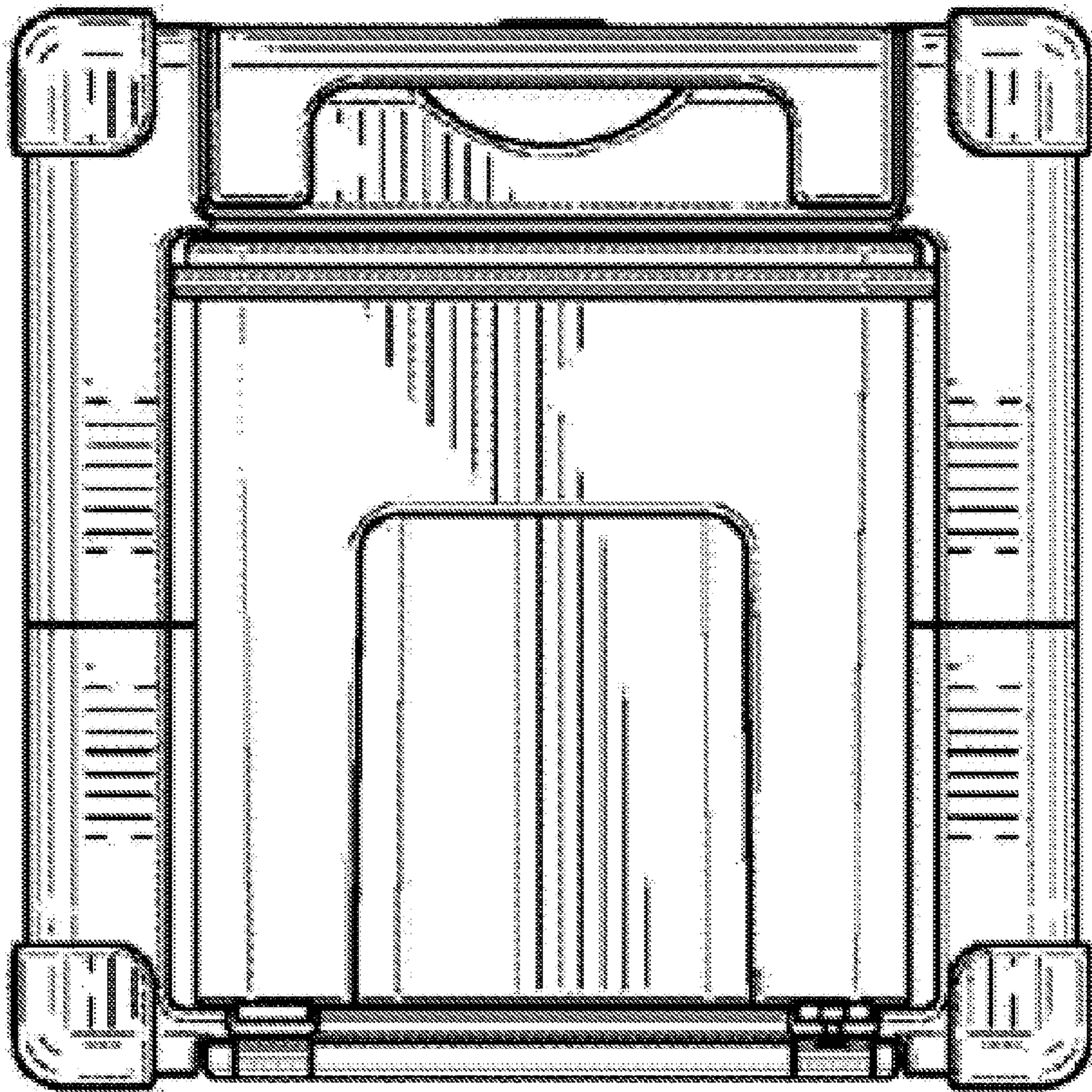
**FIG. 2**



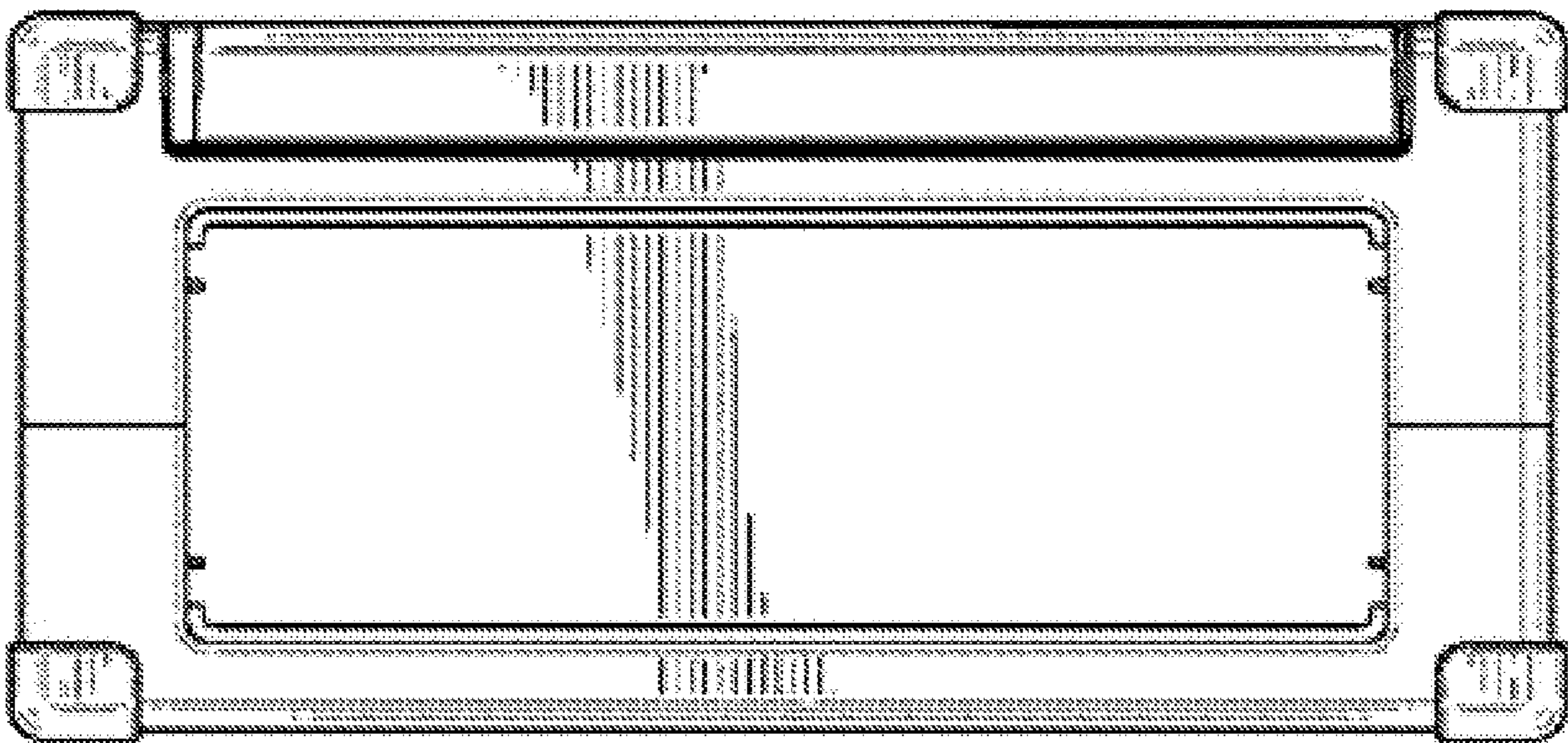
**FIG. 3**



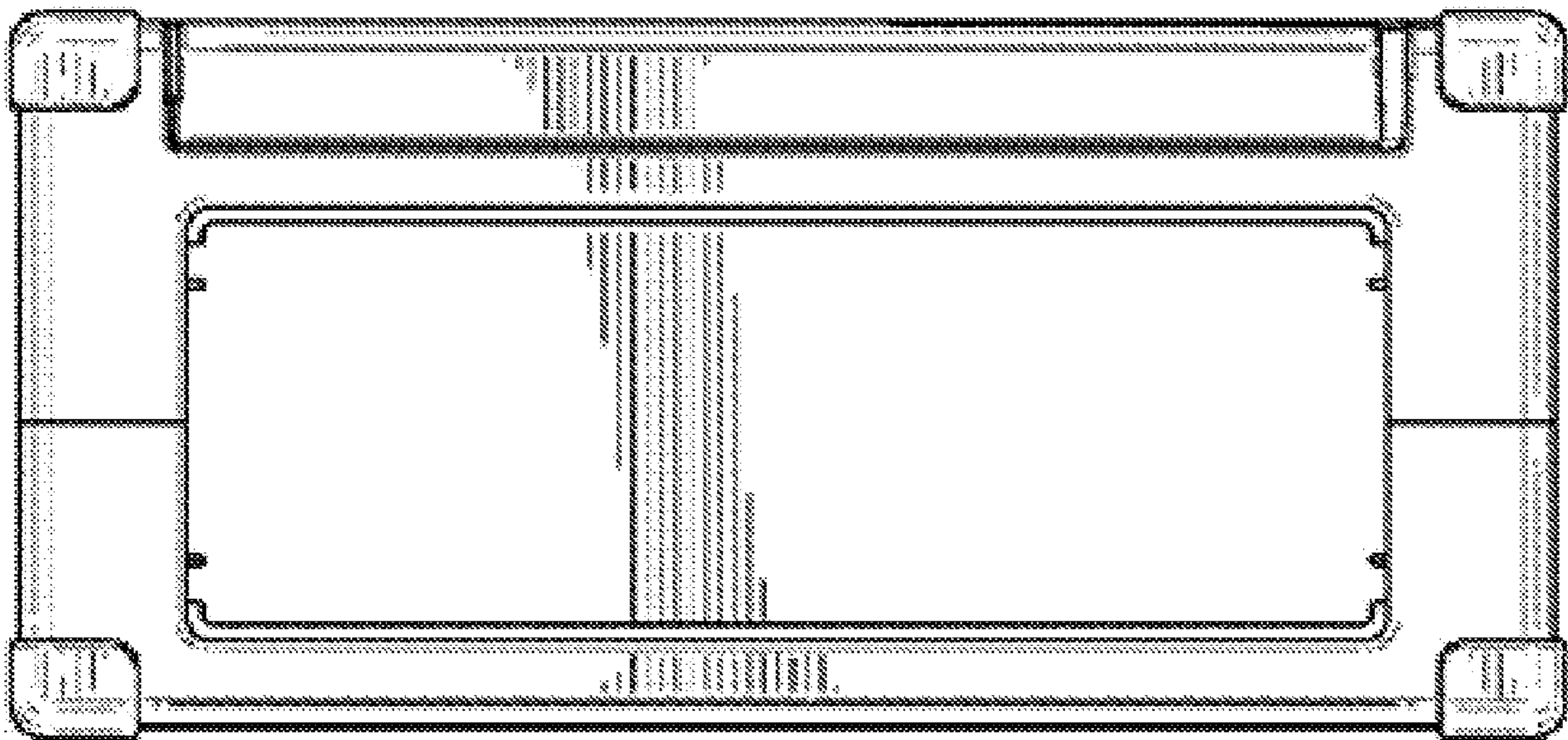
**FIG. 4**



**FIG. 5**



**FIG. 6**



**FIG. 7**