



US00D790930S

(12) **United States Design Patent** (10) **Patent No.:** **US D790,930 S**  
**Bodum** (45) **Date of Patent:** **\*\* Jul. 4, 2017**

(54) **ELECTRIC JUICER**

(56) **References Cited**

(71) Applicant: **PI-Design AG**, Triengen (CH)

U.S. PATENT DOCUMENTS

(72) Inventor: **Jorgen Bodum**, Meggen (CH)

D227,971 S \* 7/1973 Weiss ..... 99/501  
7,673,824 B2 \* 3/2010 Stamper, III ..... A47J 43/046  
241/282.2

(73) Assignee: **PI-Design AG**, Triengen (CH)

7,676,824 B2 3/2010 Stamper, III et al.  
2012/0291638 A1 \* 11/2012 Kim ..... A47J 19/027  
99/501

(\*\*) Term: **15 Years**

2013/0255511 A1 \* 10/2013 Steiner ..... A47J 19/02  
99/513

(21) Appl. No.: **29/569,099**

\* cited by examiner

(22) Filed: **Jun. 23, 2016**

*Primary Examiner* — Terry Wallace

(74) *Attorney, Agent, or Firm* — McDonnell Boehnen  
Hulbert & Berghoff LLP

**Related U.S. Application Data**

(62) Division of application No. 29/511,939, filed on Dec.  
15, 2014, now Pat. No. Des. 763,045.

(57) **CLAIM**

The ornamental design for an electric juicer, as shown and  
described.

(30) **Foreign Application Priority Data**

**DESCRIPTION**

Jun. 16, 2014 (WO) ..... DM/083811

(51) **LOC (10) Cl.** ..... **31-00**

(52) **U.S. Cl.**  
USPC ..... **D7/665**

(58) **Field of Classification Search**  
USPC ..... D7/665, 666, 376-378, 381, 384, 412  
CPC .... A47J 43/0794; A47J 19/027; A47J 19/022;  
A47J 19/00; A47J 19/06; A47J 19/02;  
A23N 1/02

FIG. 1 is a perspective view of the electric juicer showing  
my new design;

FIG. 2 is a front view thereof;

FIG. 3 is a rear view thereof;

FIG. 4 is a left side view thereof;

FIG. 5 is a right side view thereof;

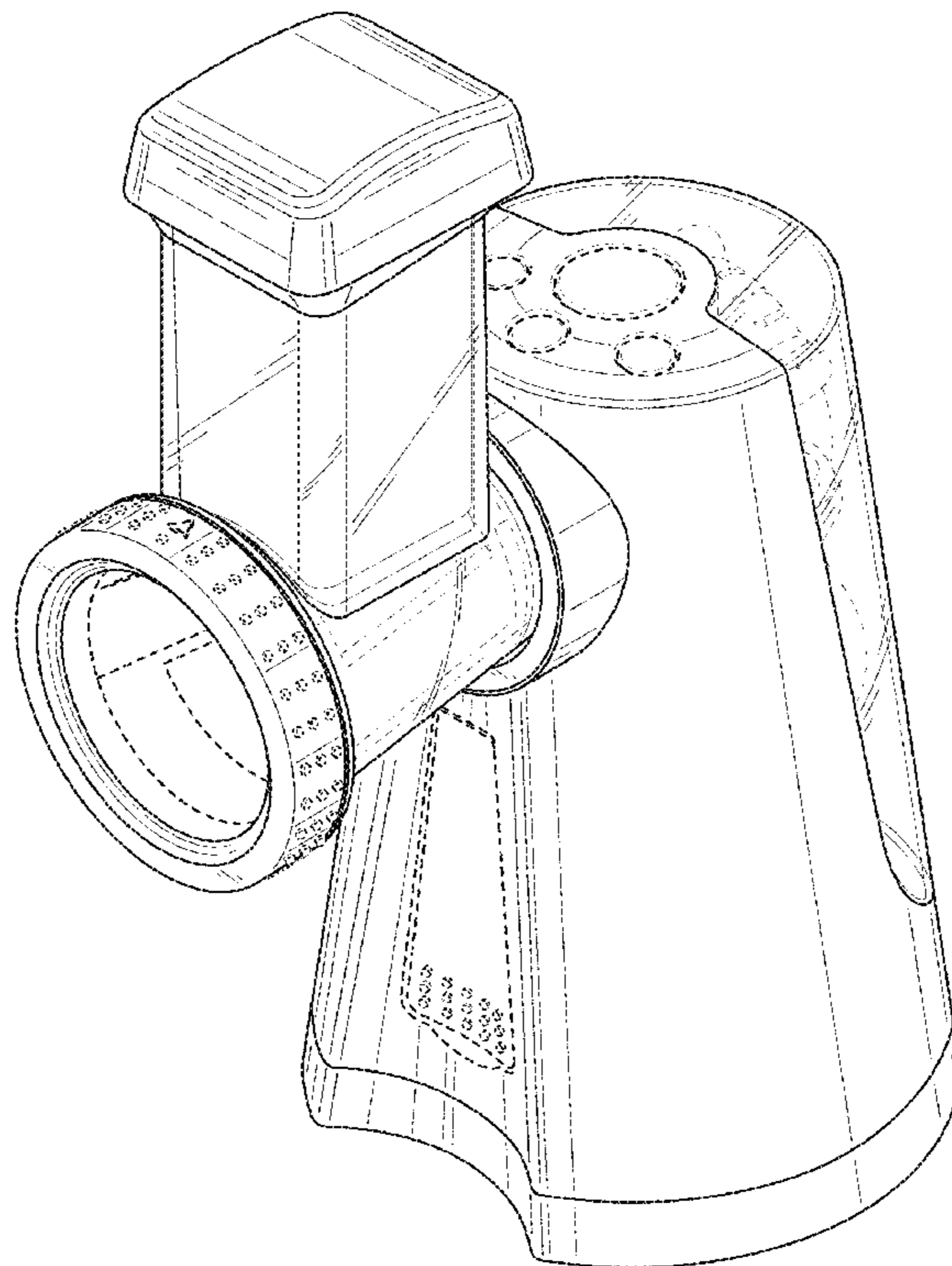
FIG. 6 is a top view thereof; and,

FIG. 7 is a bottom view thereof.

The broken lines are for illustrative purposes only and form  
no part of the claimed design.

See application file for complete search history.

**1 Claim, 7 Drawing Sheets**



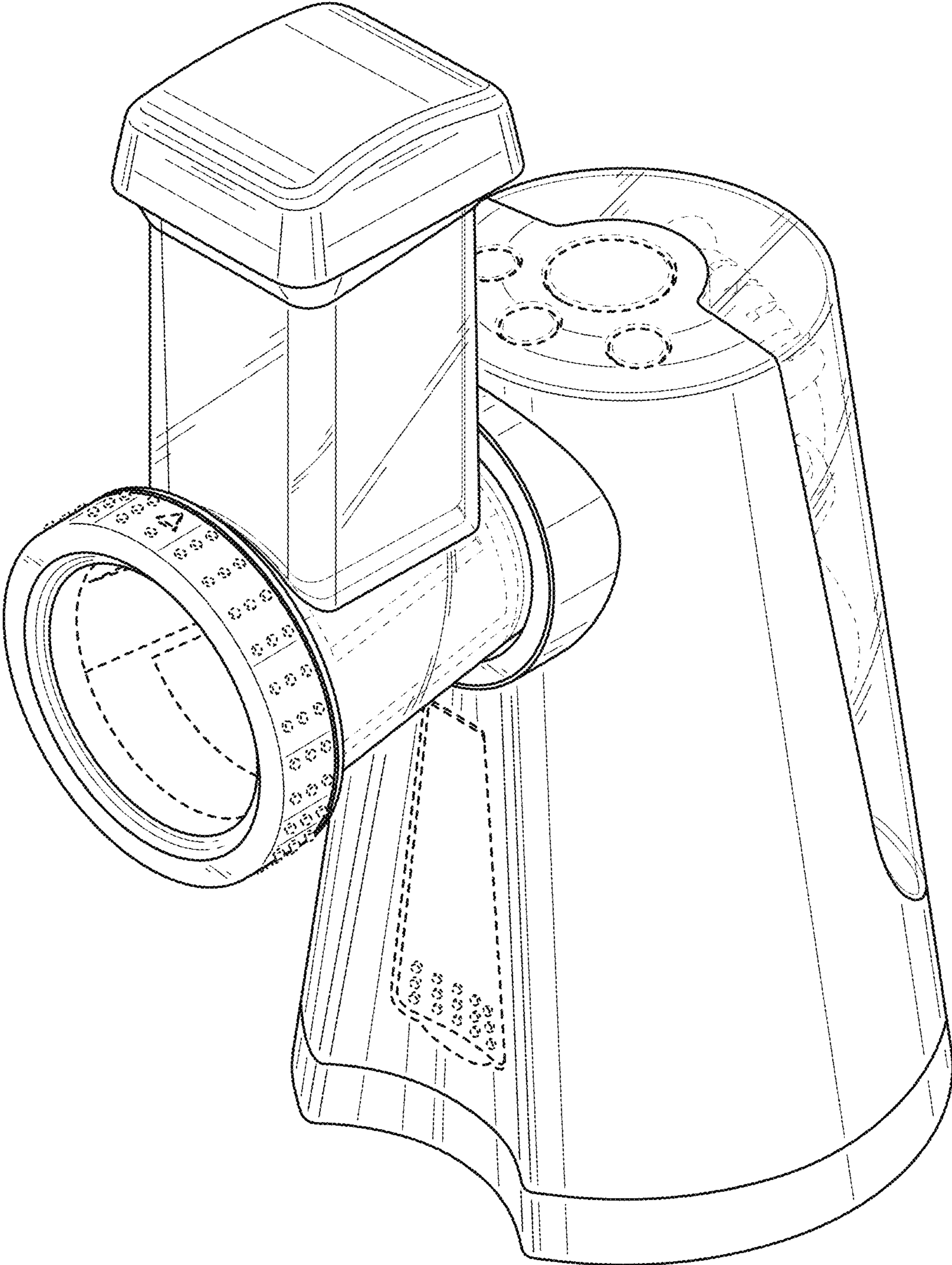


FIG. 1

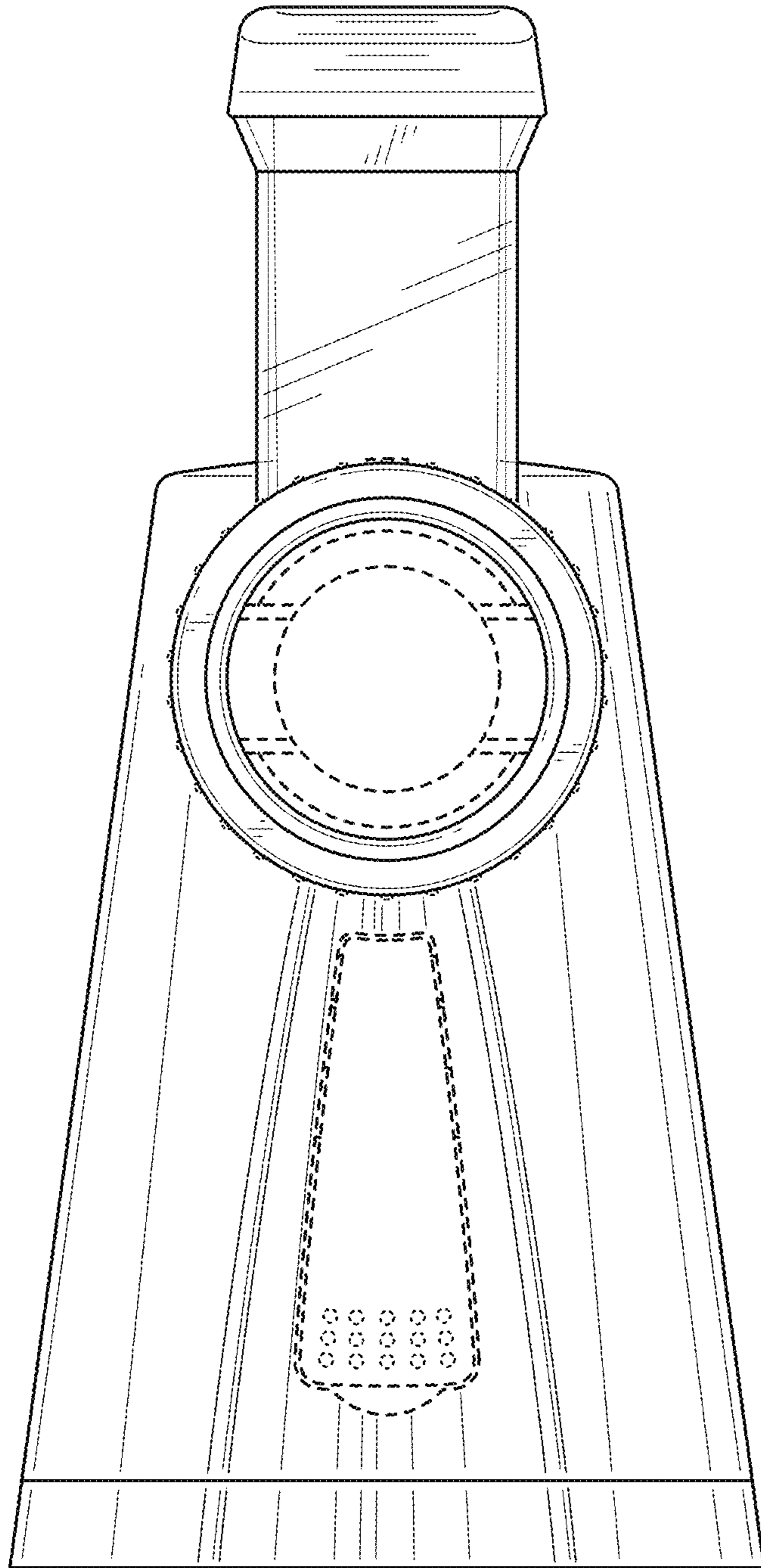


FIG. 2

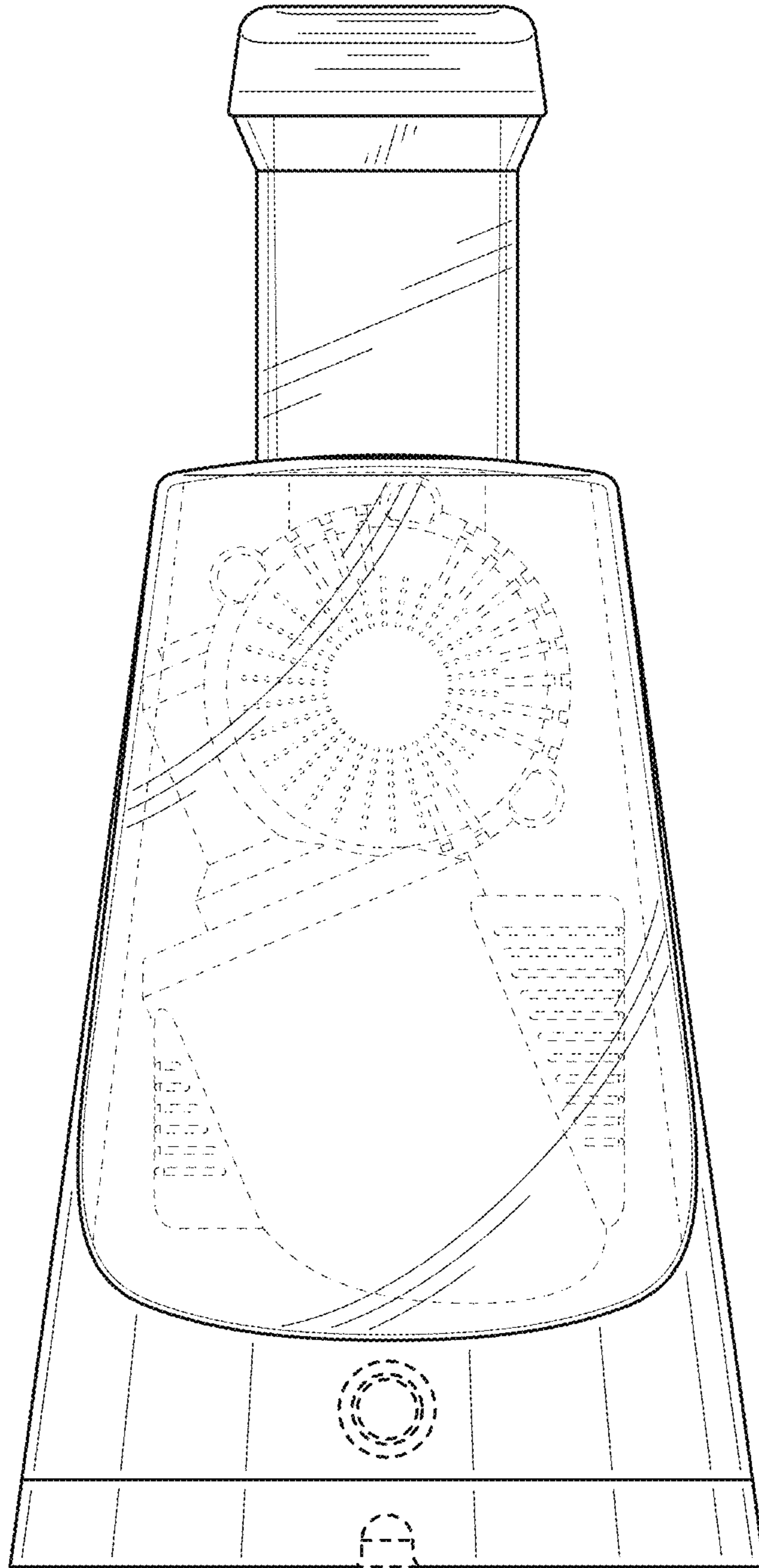


FIG. 3

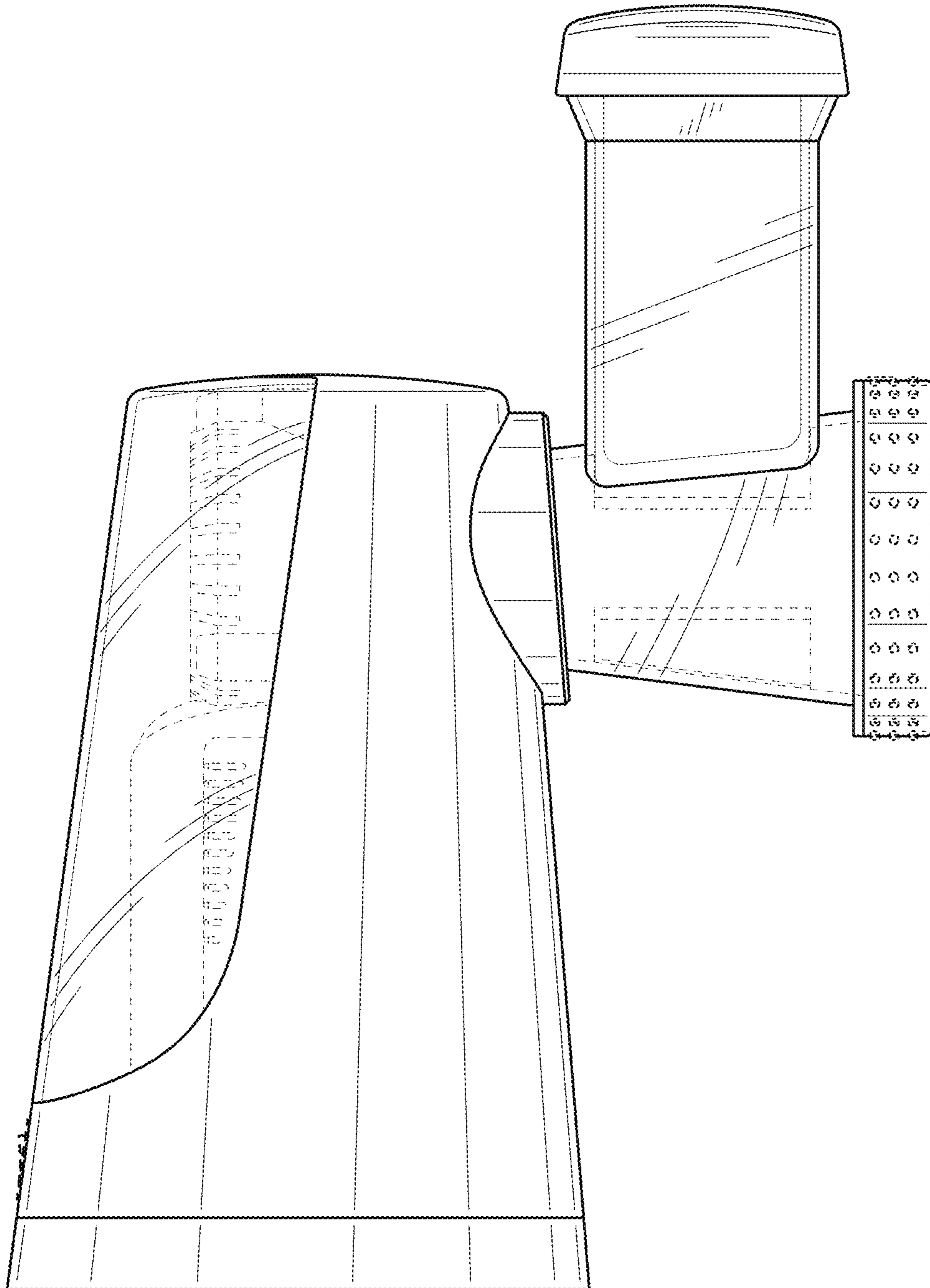


FIG. 4

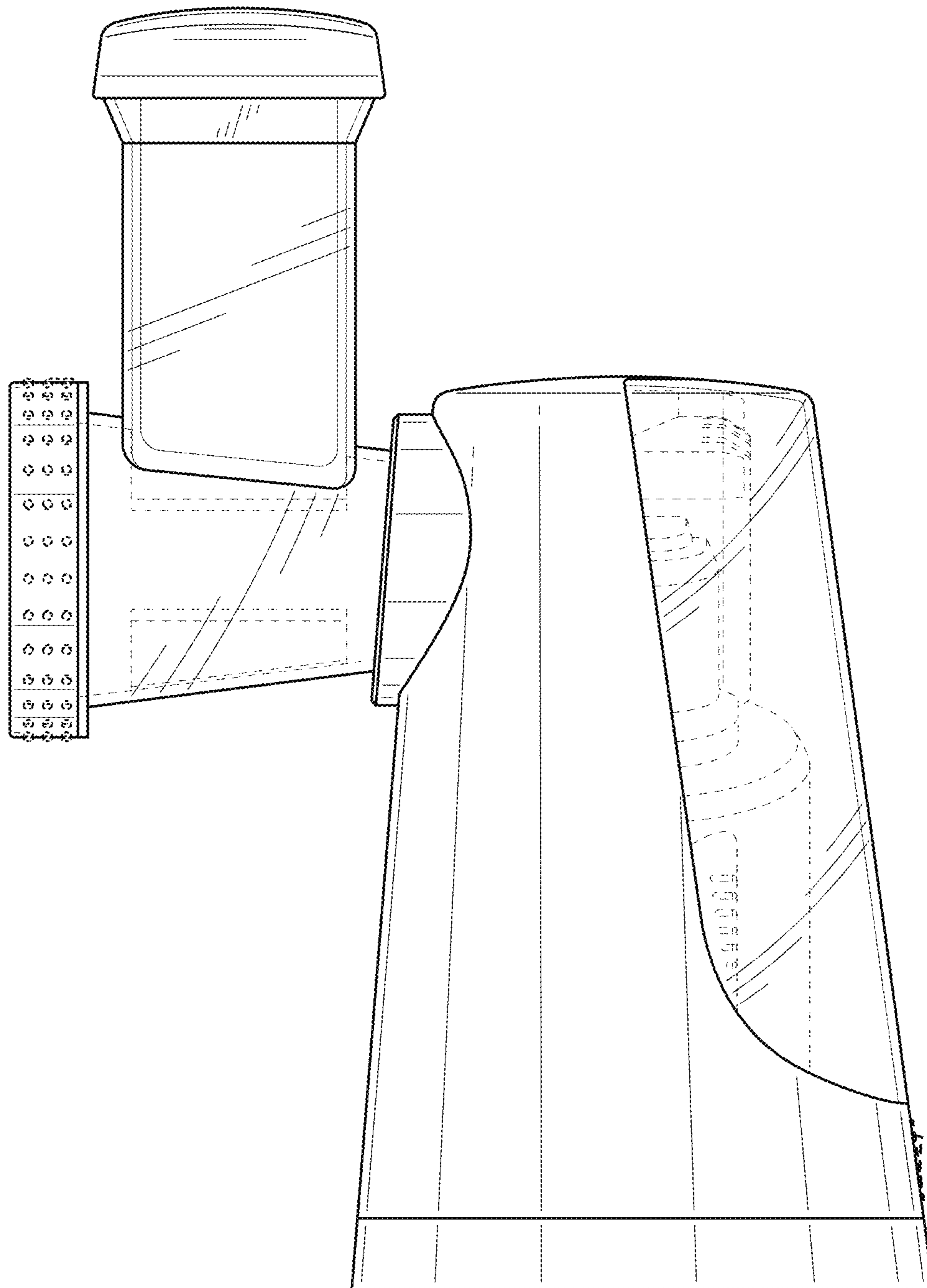


FIG. 5

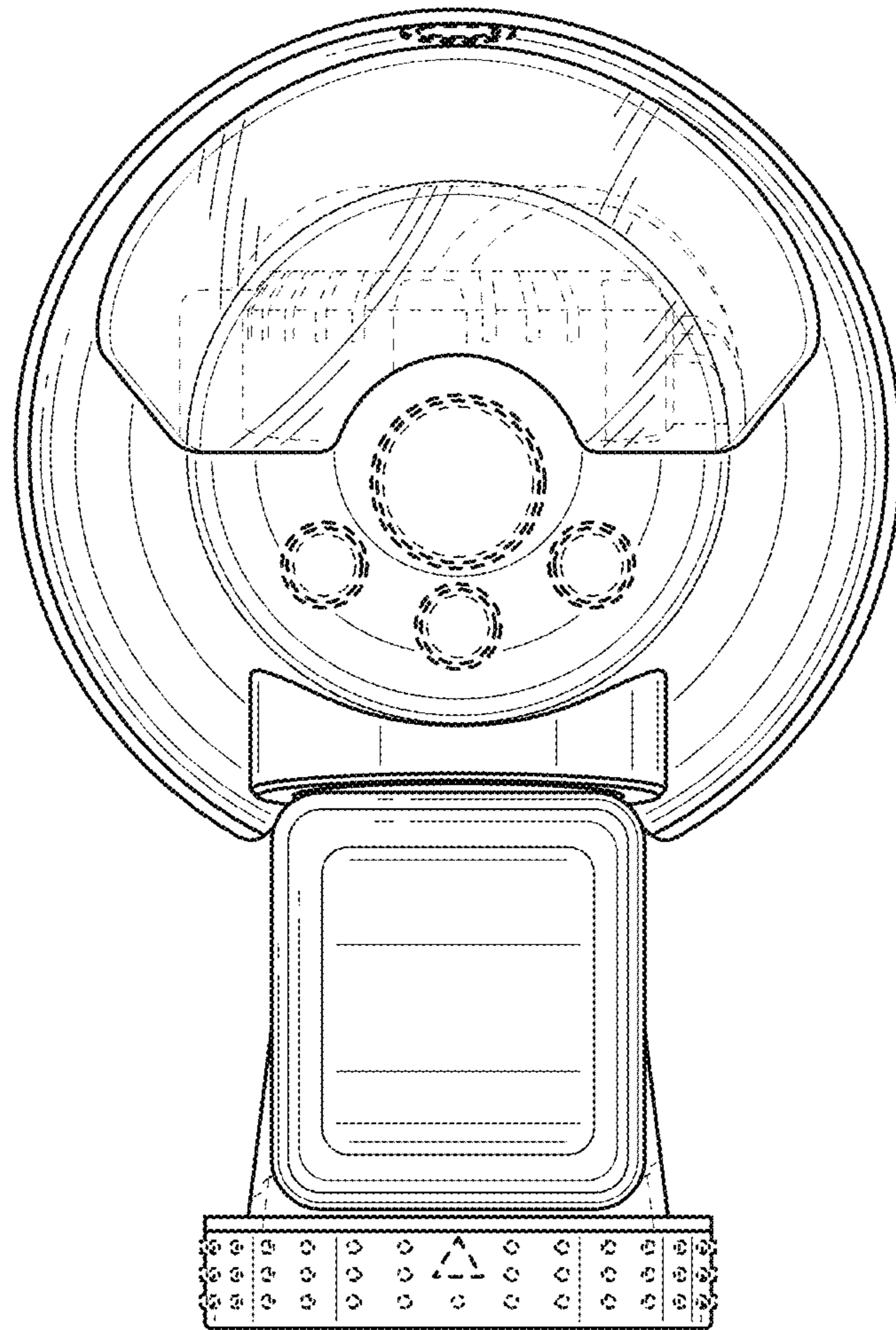


FIG. 6

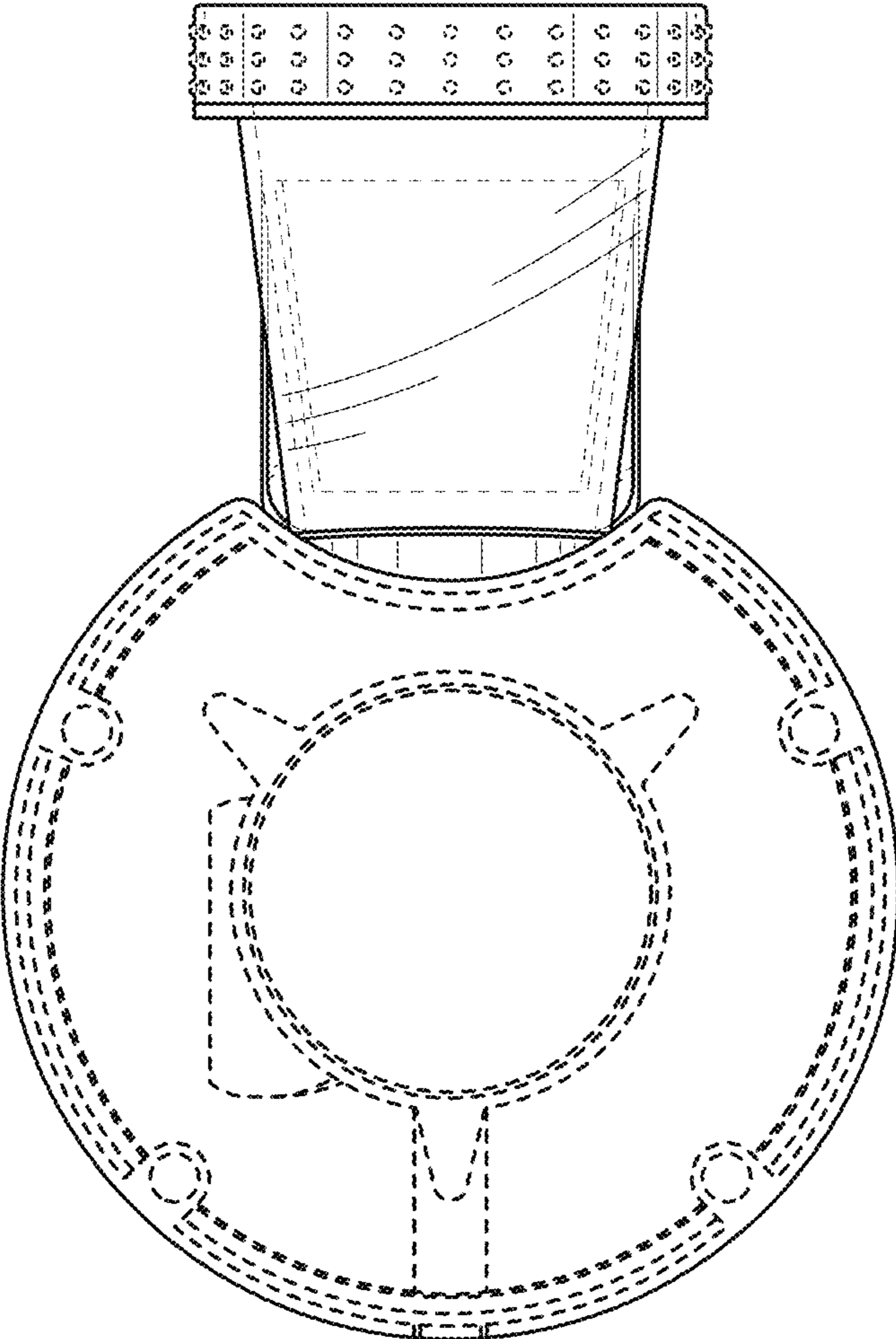


FIG. 7