



US00D790927S

(12) **United States Design Patent**  
**Reyhan et al.**

(10) **Patent No.:** **US D790,927 S**

(45) **Date of Patent:** **\*\* Jul. 4, 2017**

- (54) **CEREAL BOWL**
- (71) Applicants: **Fredrick B. Reyhan**, Diamond Bar, CA (US); **Edwin Reyhan**, Diamond Bar, CA (US)
- (72) Inventors: **Fredrick B. Reyhan**, Diamond Bar, CA (US); **Edwin Reyhan**, Diamond Bar, CA (US)
- (\*\*) Term: **15 Years**
- (21) Appl. No.: **29/559,296**
- (22) Filed: **Mar. 25, 2016**
- (51) **LOC (10) Cl.** ..... **07-01**
- (52) **U.S. Cl.**  
USPC ..... **D7/555; D7/587**
- (58) **Field of Classification Search**  
USPC ..... D7/538, 500, 505, 539, 543, 57, 581, D7/629, 540, 541, 555, 550.1, 587; D9/425, 424, 428, 426, 737, 761; 220/810, 270; 229/406  
CPC ..... A47G 21/001; B65D 43/162; B65D 43/0249; B65D 43/26  
See application file for complete search history.

- D633,340 S \* 3/2011 Roberts ..... D7/549
- 8,322,558 B2 \* 12/2012 Andrews ..... A47G 19/02 220/501
- 8,337,073 B2 \* 12/2012 Roberts ..... A47G 19/02 220/575
- D681,286 S \* 4/2013 Namvong ..... D30/129
- D692,623 S \* 10/2013 Lipscomb ..... A01K 7/005 D30/121
- D741,660 S \* 10/2015 Jarratt ..... D7/555
- D743,212 S \* 11/2015 Habig ..... D7/555
- D745,326 S \* 12/2015 Klar ..... D7/555
- D747,930 S \* 1/2016 Waddell ..... D7/555
- D750,940 S \* 3/2016 Zalewski ..... D7/555

\* cited by examiner

*Primary Examiner* — Cynthia Underwood  
(74) *Attorney, Agent, or Firm* — QuickPatents, LLC; Kevin Prince

(57) **CLAIM**

We claim the ornamental design for a cereal bowl, as shown and described.

**DESCRIPTION**

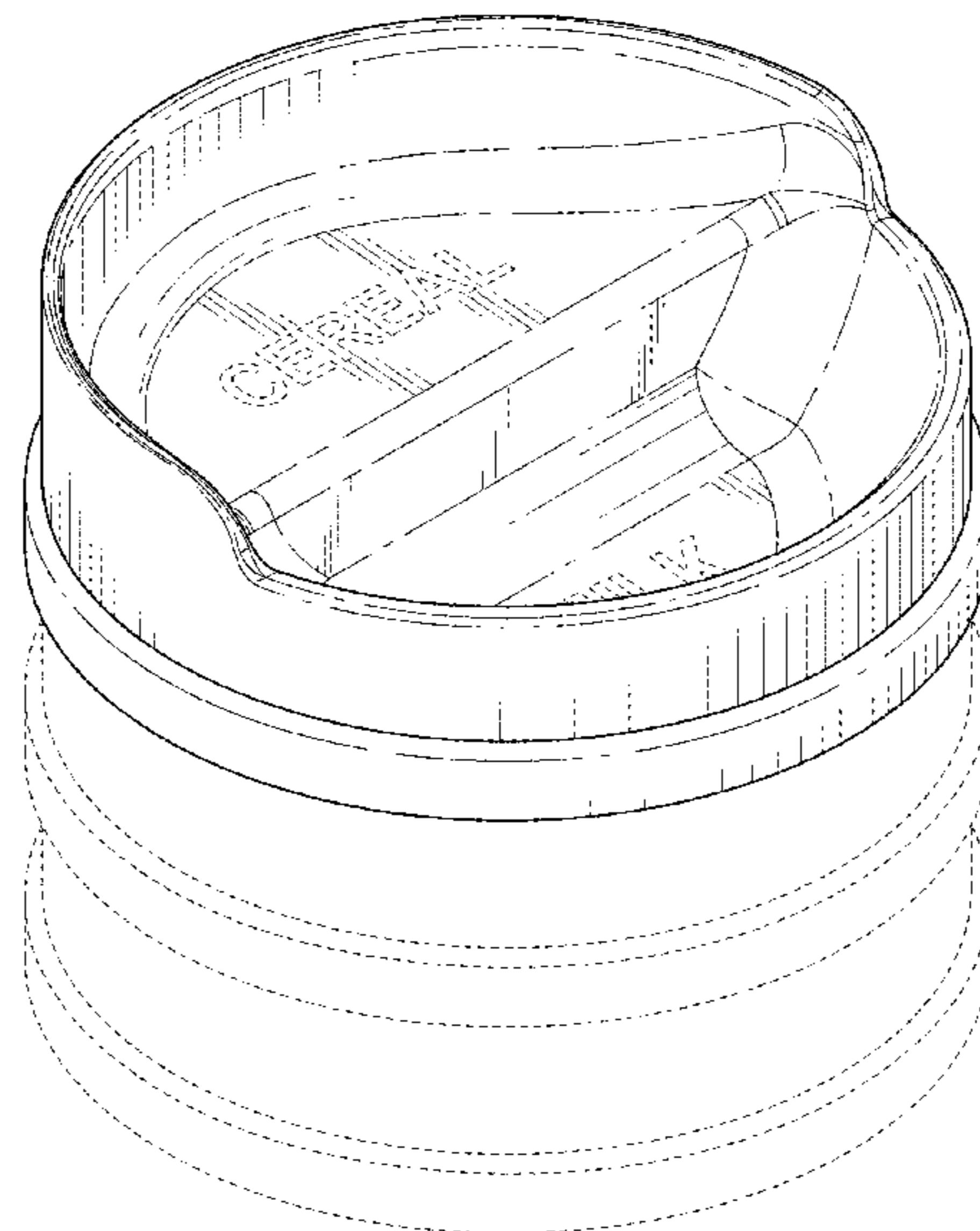
FIG. 1 is a top perspective view of a cereal bowl, showing our new design;  
 FIG. 2 is a top plan view thereof;  
 FIG. 3 is a bottom plan view thereof;  
 FIG. 4 is a front elevational view thereof;  
 FIG. 5 is a rear elevational view thereof;  
 FIG. 6 is a right-side elevational view thereof, the left-side elevational view being a mirror image thereof;  
 FIG. 7 is a bottom perspective view thereof; and,  
 FIG. 8 is a cross-sectional view thereof, taken along line 8-8 of FIG. 2.  
 The broken lines showing text in FIGS. 1 and 2 and additional stacked cereal bowls in FIGS. 1 and 8 depict environmental matter and form no part of the claimed design.

**1 Claim, 6 Drawing Sheets**

(56) **References Cited**

U.S. PATENT DOCUMENTS

- D283,096 S \* 3/1986 Uhrik ..... D7/555
- D305,846 S \* 2/1990 Griffith ..... D7/505
- 5,341,953 A \* 8/1994 Forester ..... A47G 19/02 220/575
- D367,587 S \* 3/1996 Perlmutter ..... D7/553.3
- D386,358 S \* 11/1997 Pfeilsticker ..... D7/553.6
- D390,419 S \* 2/1998 Perlmutter ..... D7/549
- D413,044 S \* 8/1999 Zappolo ..... D7/555
- D444,034 S \* 6/2001 Miller ..... D7/546
- D613,126 S \* 4/2010 Warner ..... D7/584
- D618,511 S \* 6/2010 Lugacy ..... D7/546



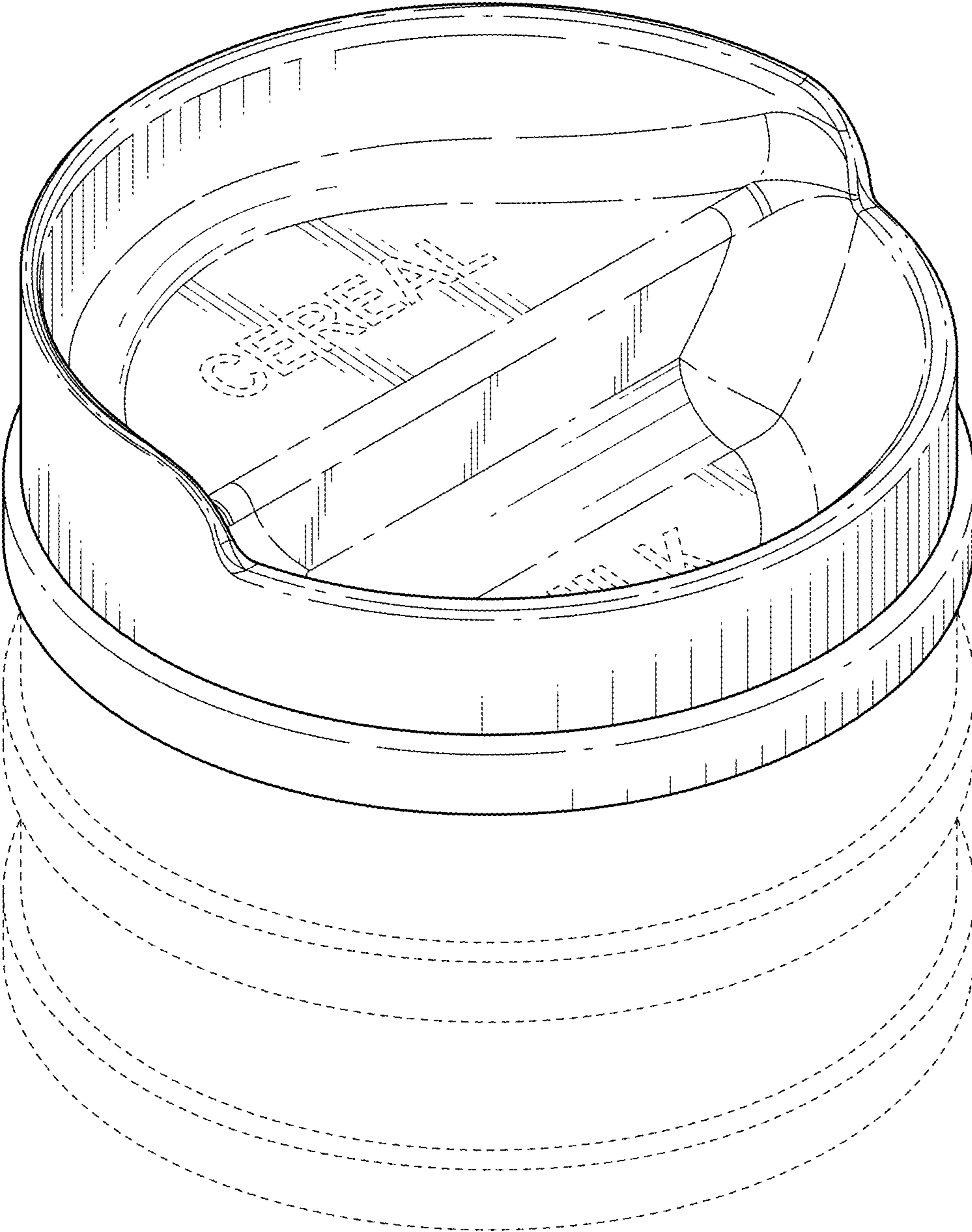


FIG. 1

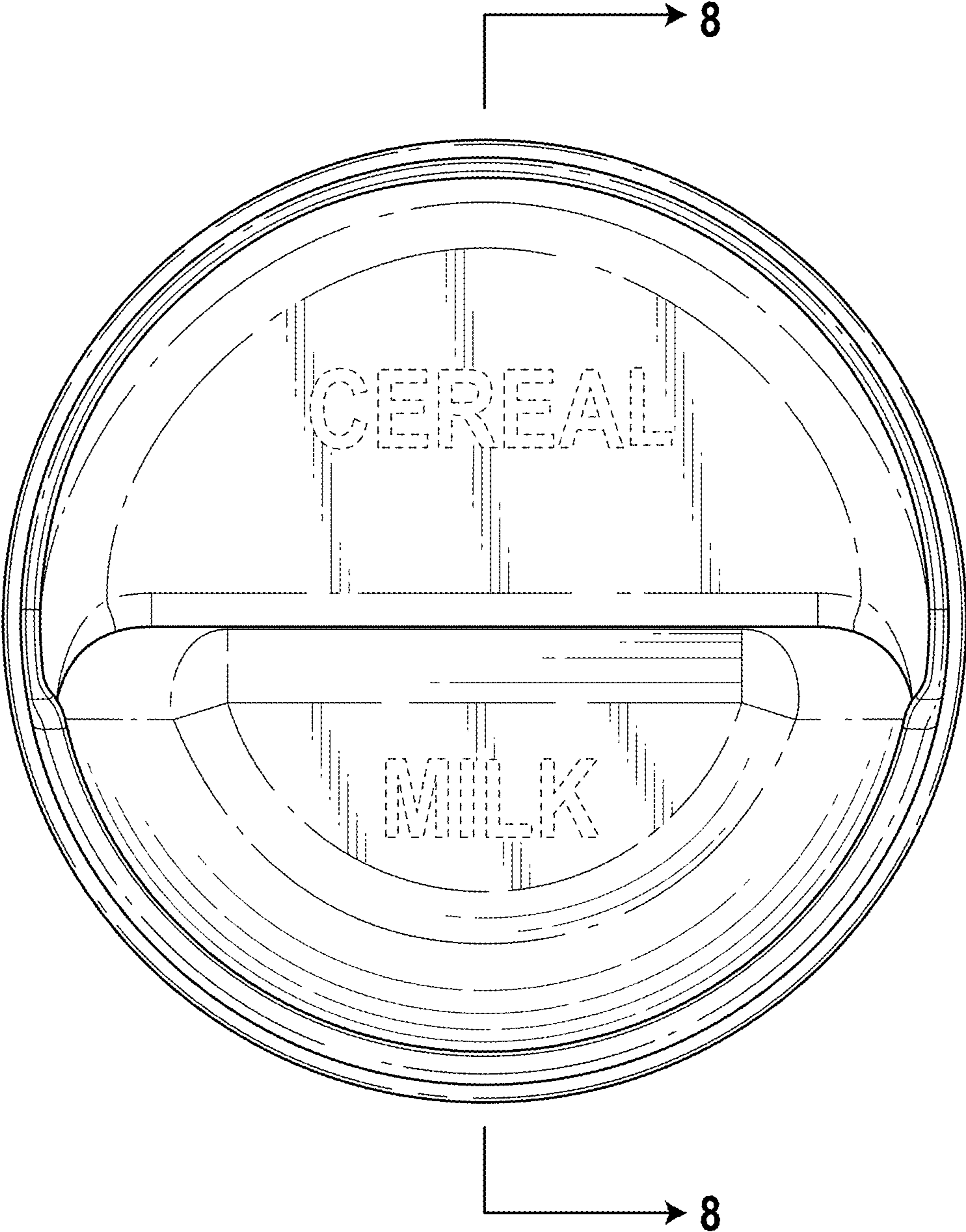


FIG. 2



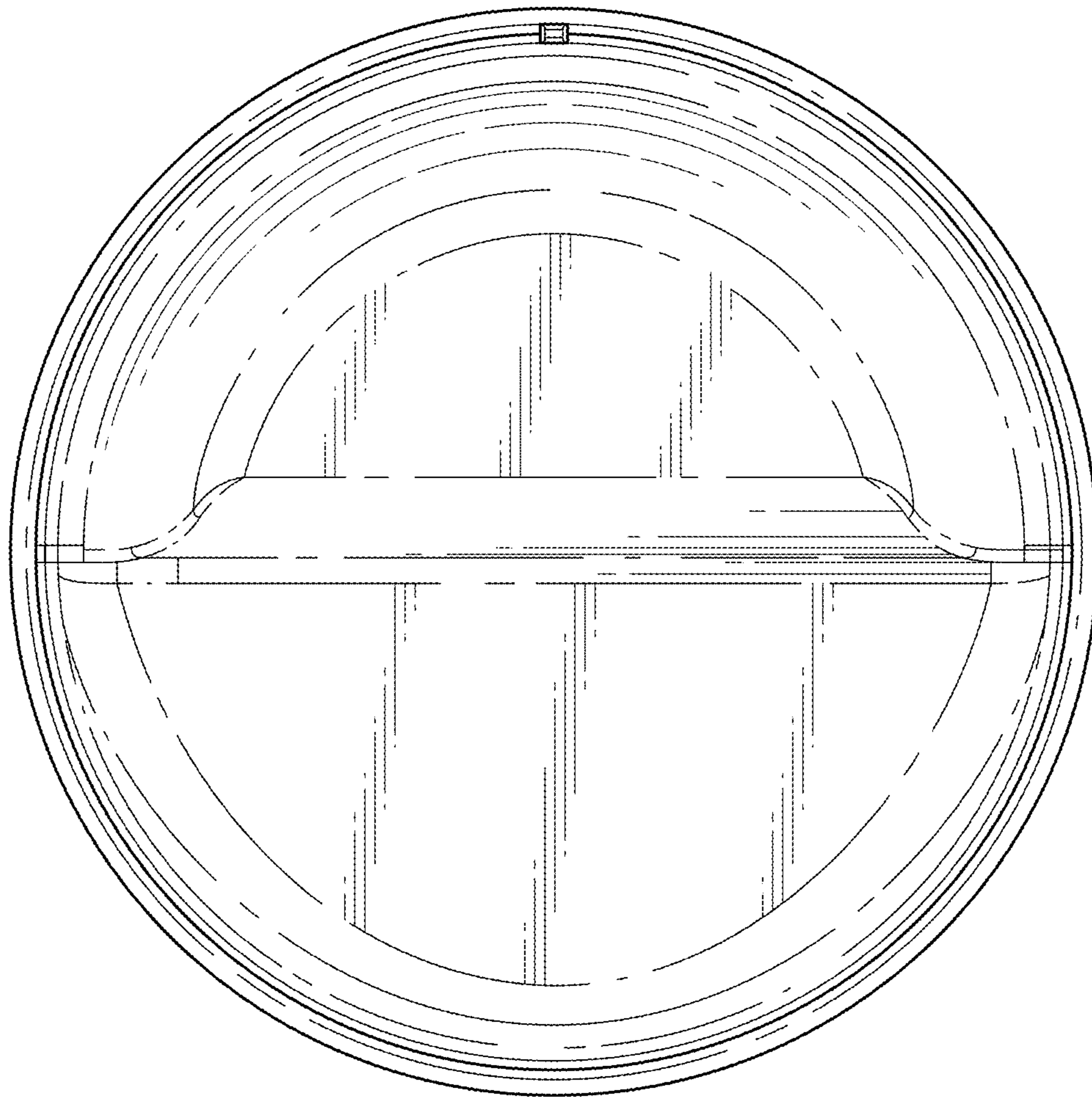


FIG. 3

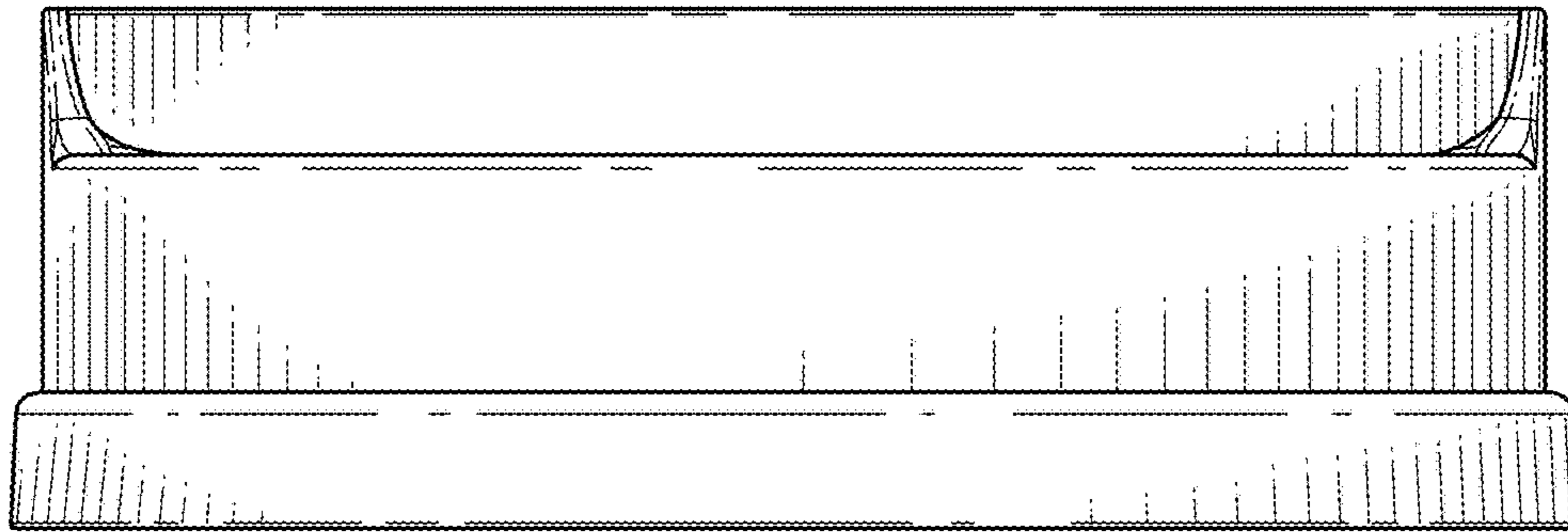


FIG. 4

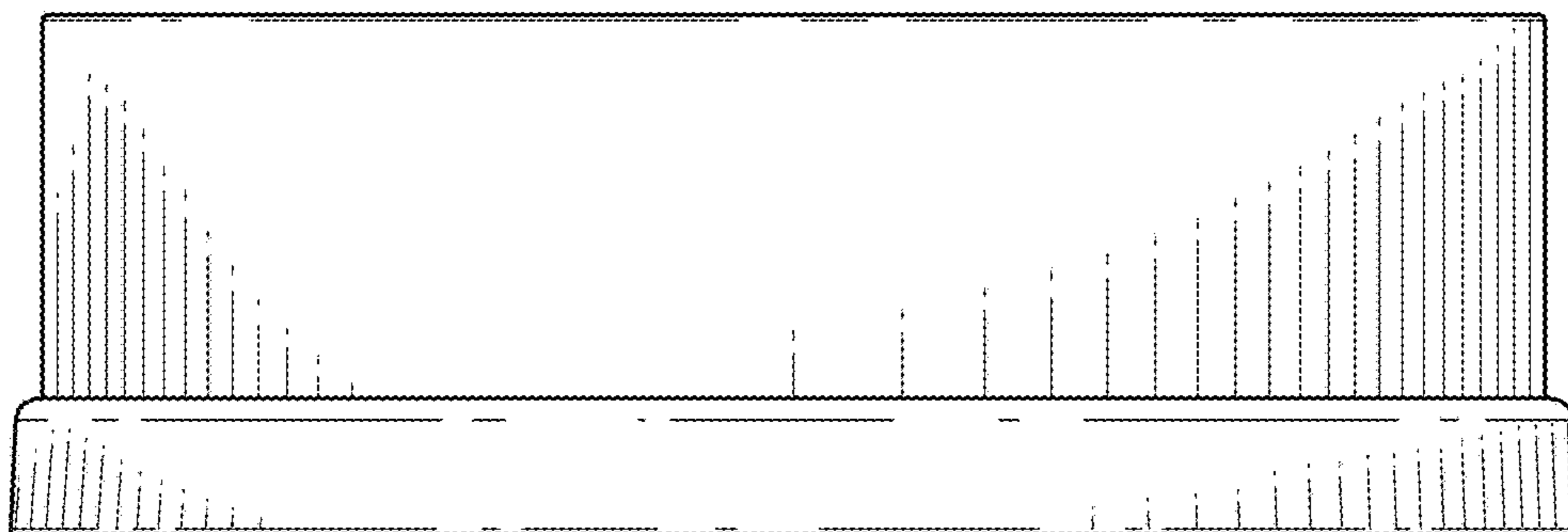


FIG. 5

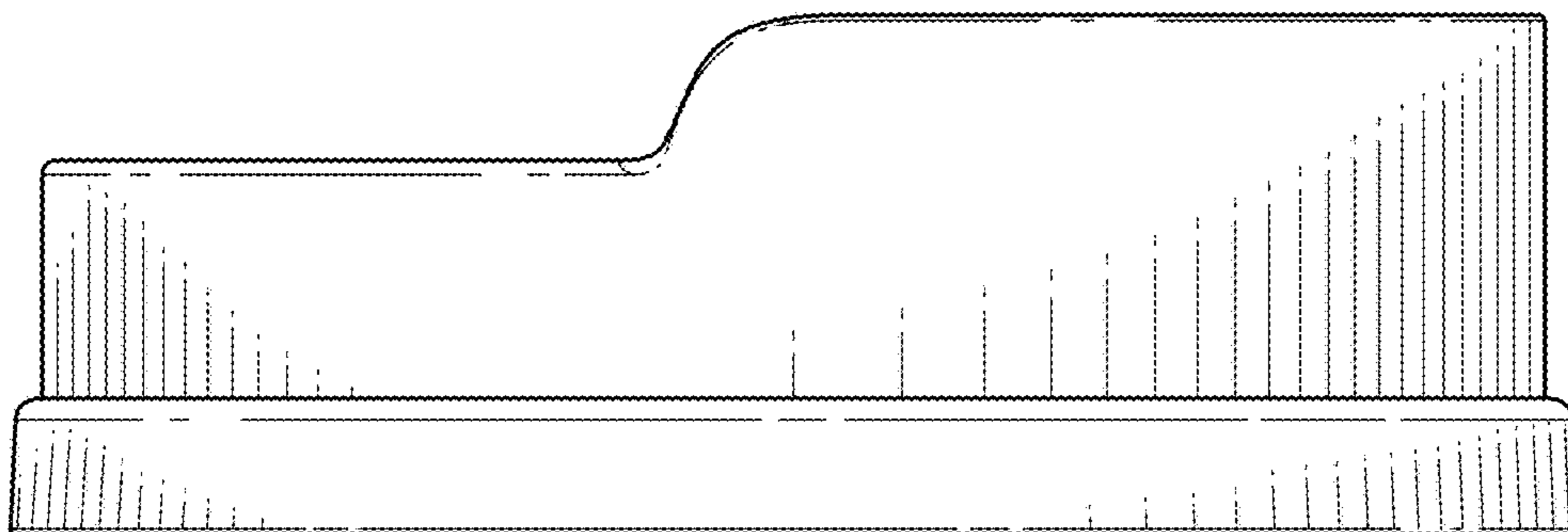


FIG. 6

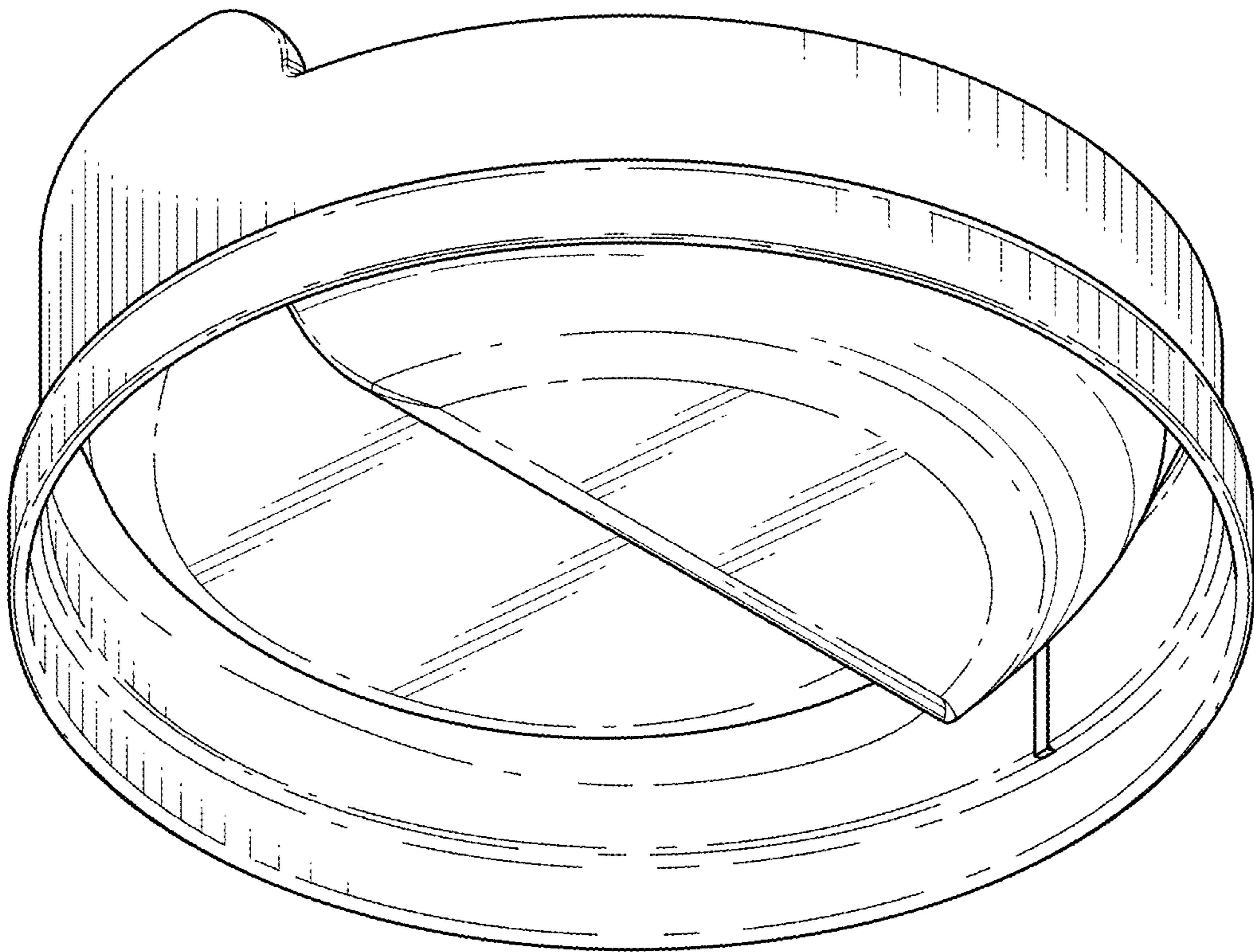


FIG. 7

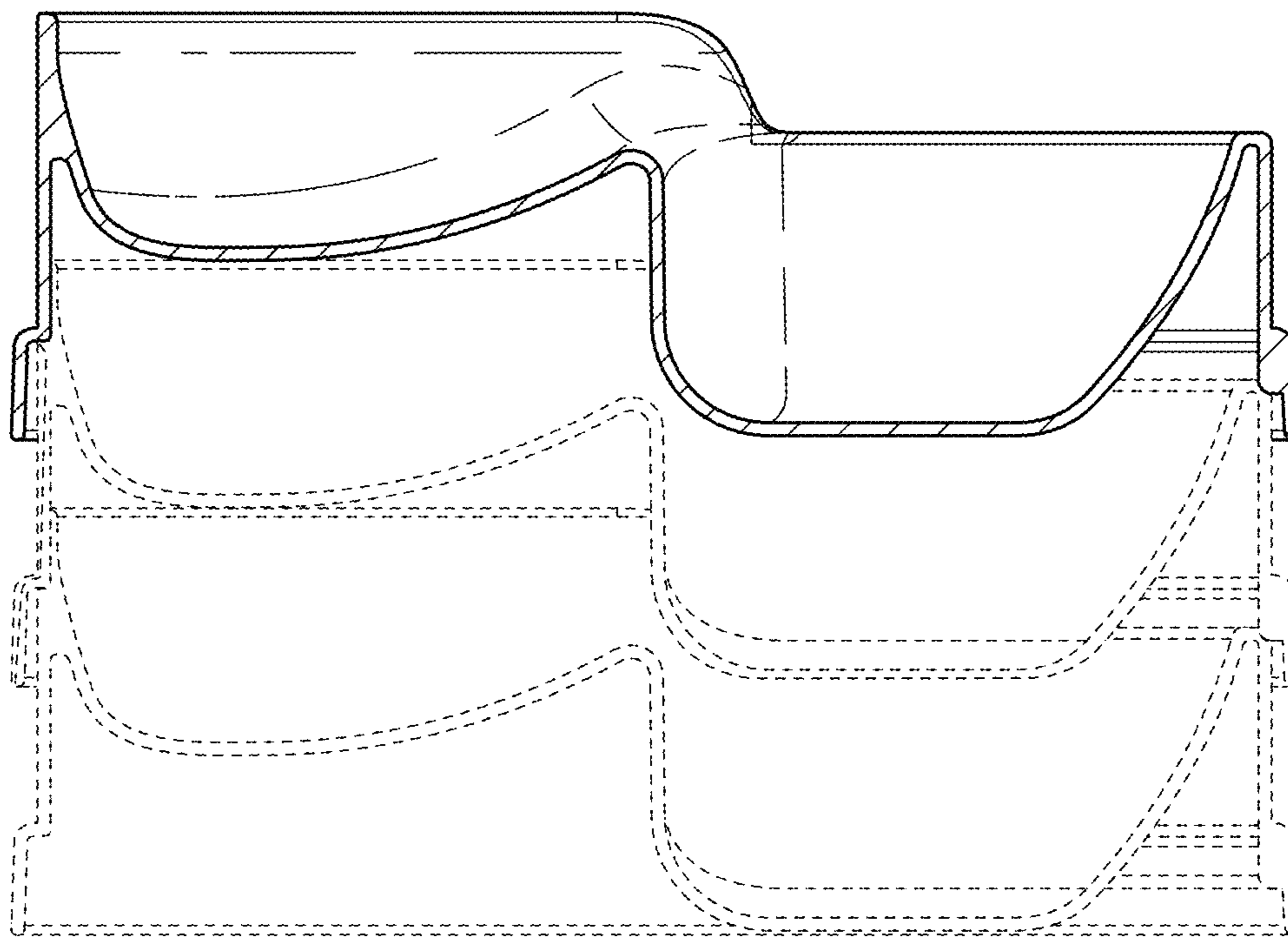


FIG. 8