



US00D790925S

(12) **United States Design Patent**  
**Cornu**

(10) **Patent No.:** **US D790,925 S**

(45) **Date of Patent:** **\*\* Jul. 4, 2017**

(54) **COVERED SERVING CONTAINER**

D755,559 S \* 5/2016 Gabbay ..... D7/354  
D756,162 S \* 5/2016 Gabbay ..... D7/354  
D770,845 S \* 11/2016 Quinn ..... D7/354

(71) Applicant: **Dart Industries Inc.**, Orlando, FL (US)

(72) Inventor: **Judicaël Cornu**, Orlando, FL (US)

(73) Assignee: **Dart Industries Inc.**, Orlando, FL (US)

(\*\*) Term: **15 Years**

(21) Appl. No.: **29/540,870**

(22) Filed: **Sep. 29, 2015**

(51) **LOC (10) Cl.** ..... **07-01**

(52) **U.S. Cl.**  
USPC ..... **D7/542**

(58) **Field of Classification Search**  
USPC ..... D7/549, 543, 538, 505, 542  
CPC ..... A47J 37/0611; A47J 36/08; A47J 27/18;  
A47J 36/20

See application file for complete search history.

(56) **References Cited**

**U.S. PATENT DOCUMENTS**

D269,313 S 6/1983 Swett et al.  
D599,623 S 9/2009 de Groote  
D667,273 S \* 9/2012 Henry ..... D7/542  
D679,547 S 4/2013 Chen  
D679,548 S 4/2013 Chen  
D684,815 S 6/2013 Chen  
D684,816 S 6/2013 Chen  
D702,991 S \* 4/2014 Roussard ..... D7/354

**OTHER PUBLICATIONS**

SignoraWare Catalog; Double wall casseroles; Jan. 1, 2013; front page.

SignoraWare Catalog; Double wall casseroles; Jan. 1, 2013; p. 8.  
SignoraWare Catalog; Double wall casseroles; Jan. 1, 2013; p. 9.

\* cited by examiner

*Primary Examiner* — Cynthia Underwood

(74) *Attorney, Agent, or Firm* — Taylor J. Ross

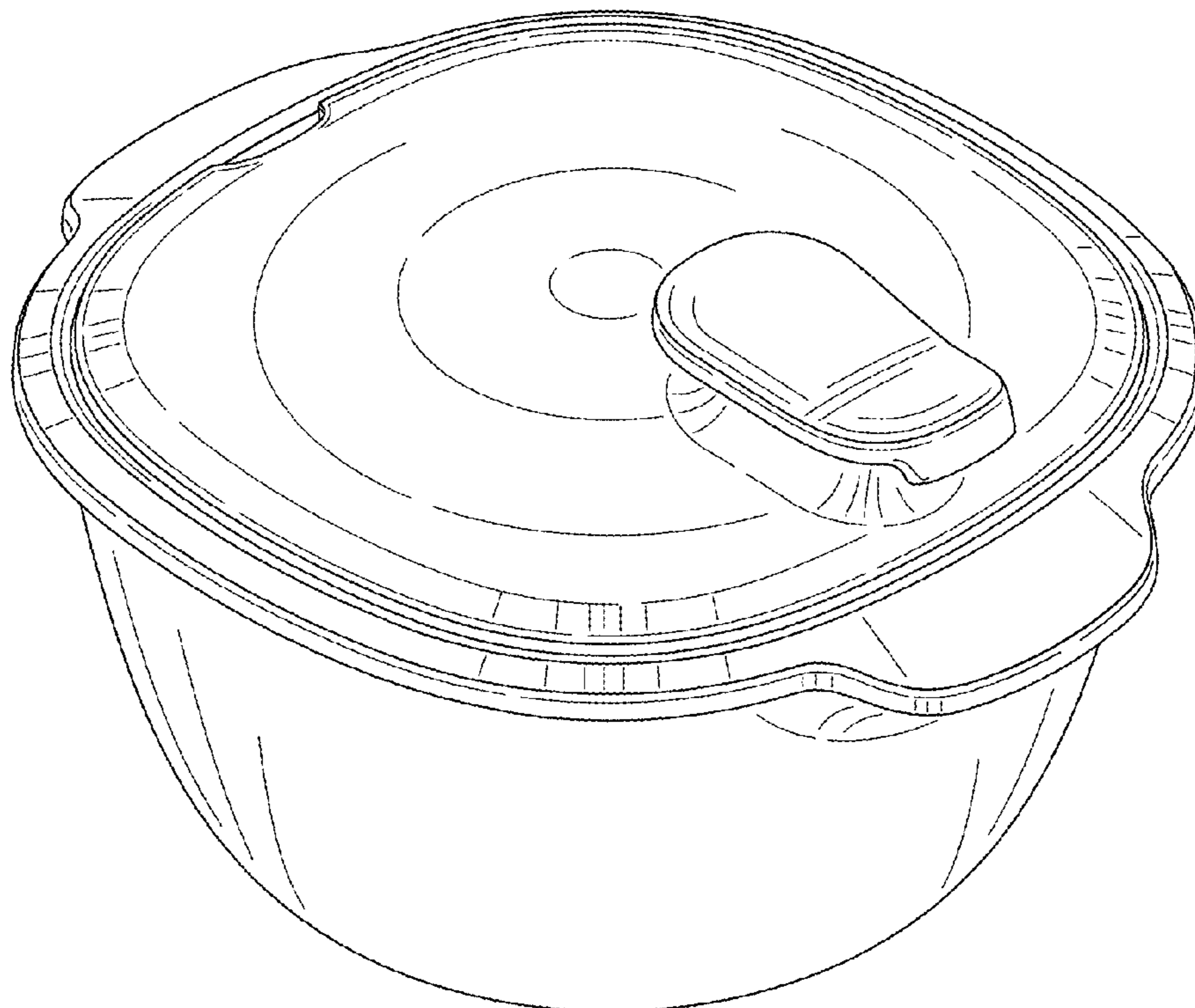
(57) **CLAIM**

The ornamental design for a covered serving container, as shown and described.

**DESCRIPTION**

FIG. 1 is a top, front and right side perspective view of a covered serving container showing my new design; FIG. 2 is a top, rear and left side perspective view thereof; FIG. 3 is a bottom, front and left side perspective view thereof; FIG. 4 is a top plan view thereof; FIG. 5 is a bottom plan view thereof; FIG. 6 is a front elevation view thereof; FIG. 7 is a rear elevation view thereof; and, FIG. 8 is a right side perspective view, the left side being a mirror image thereof.

**1 Claim, 4 Drawing Sheets**



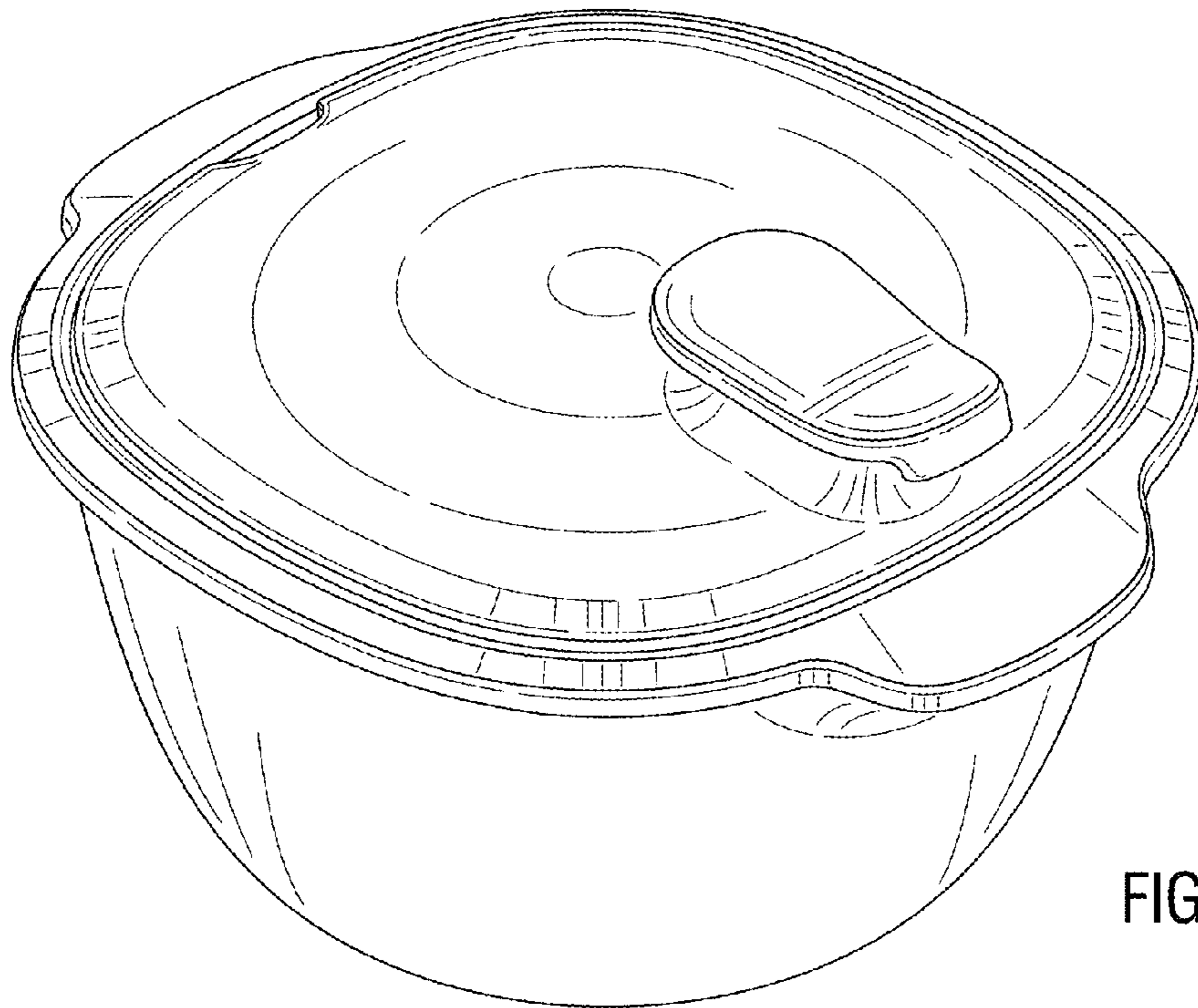


FIG. 1

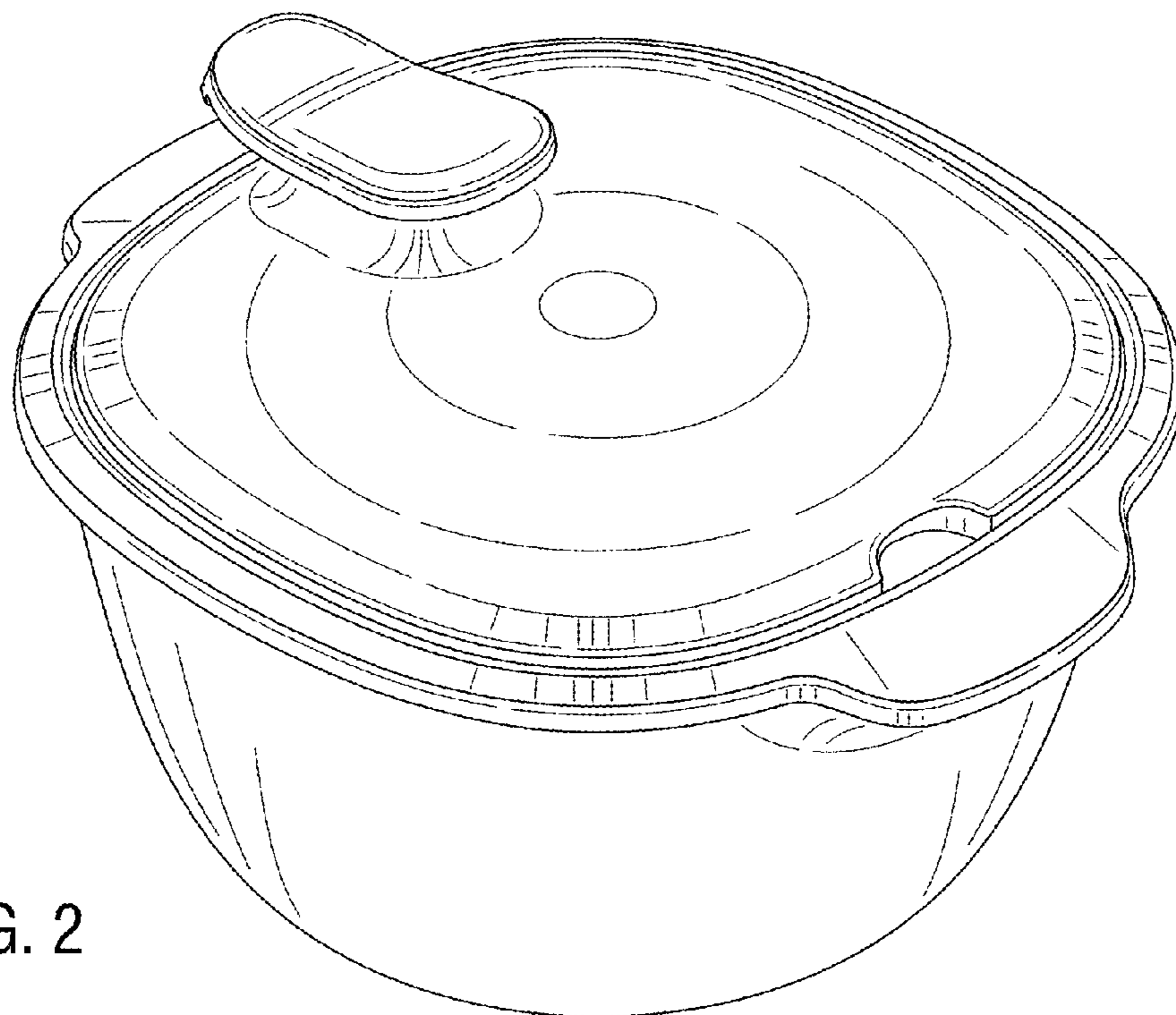


FIG. 2

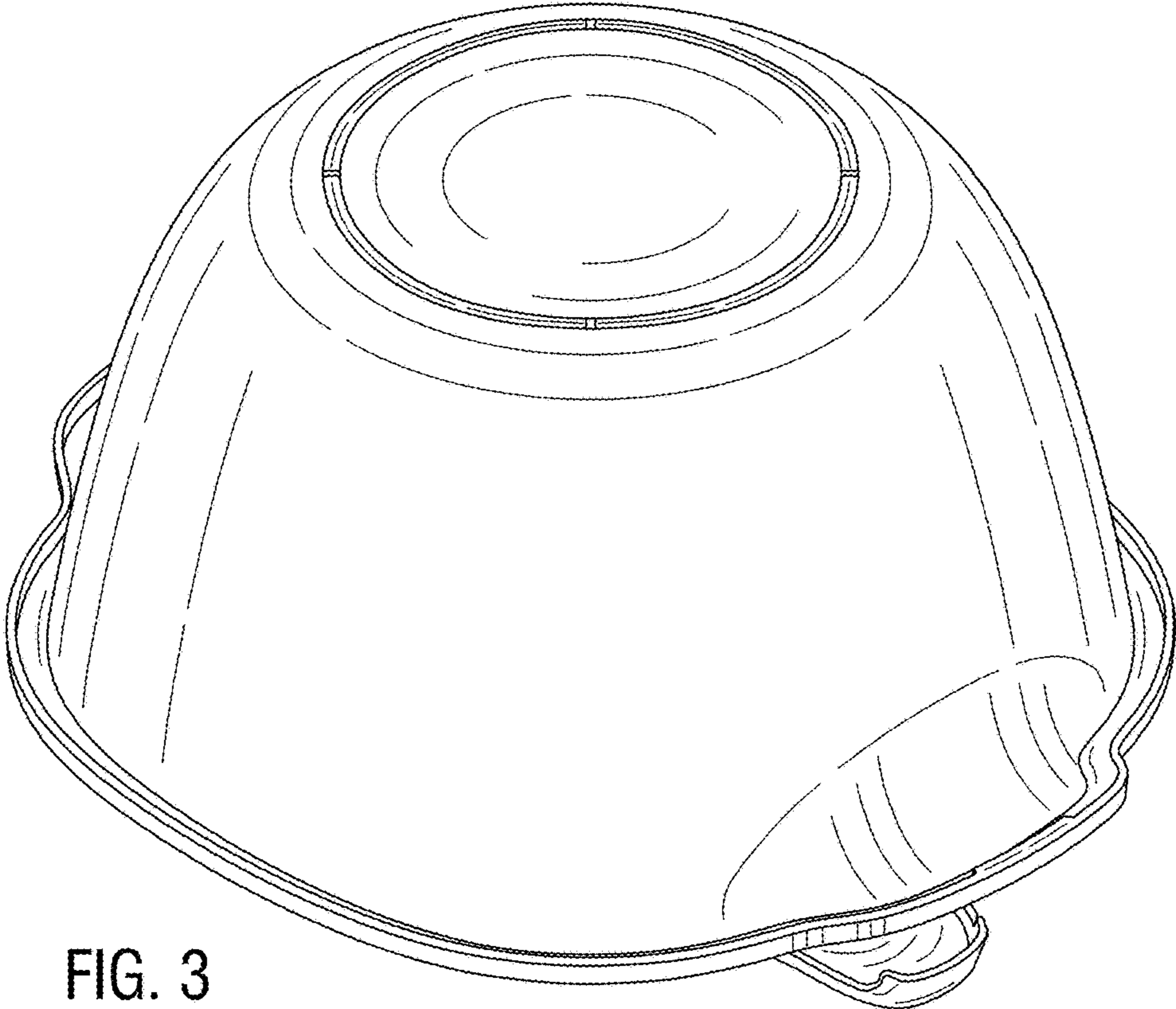


FIG. 3

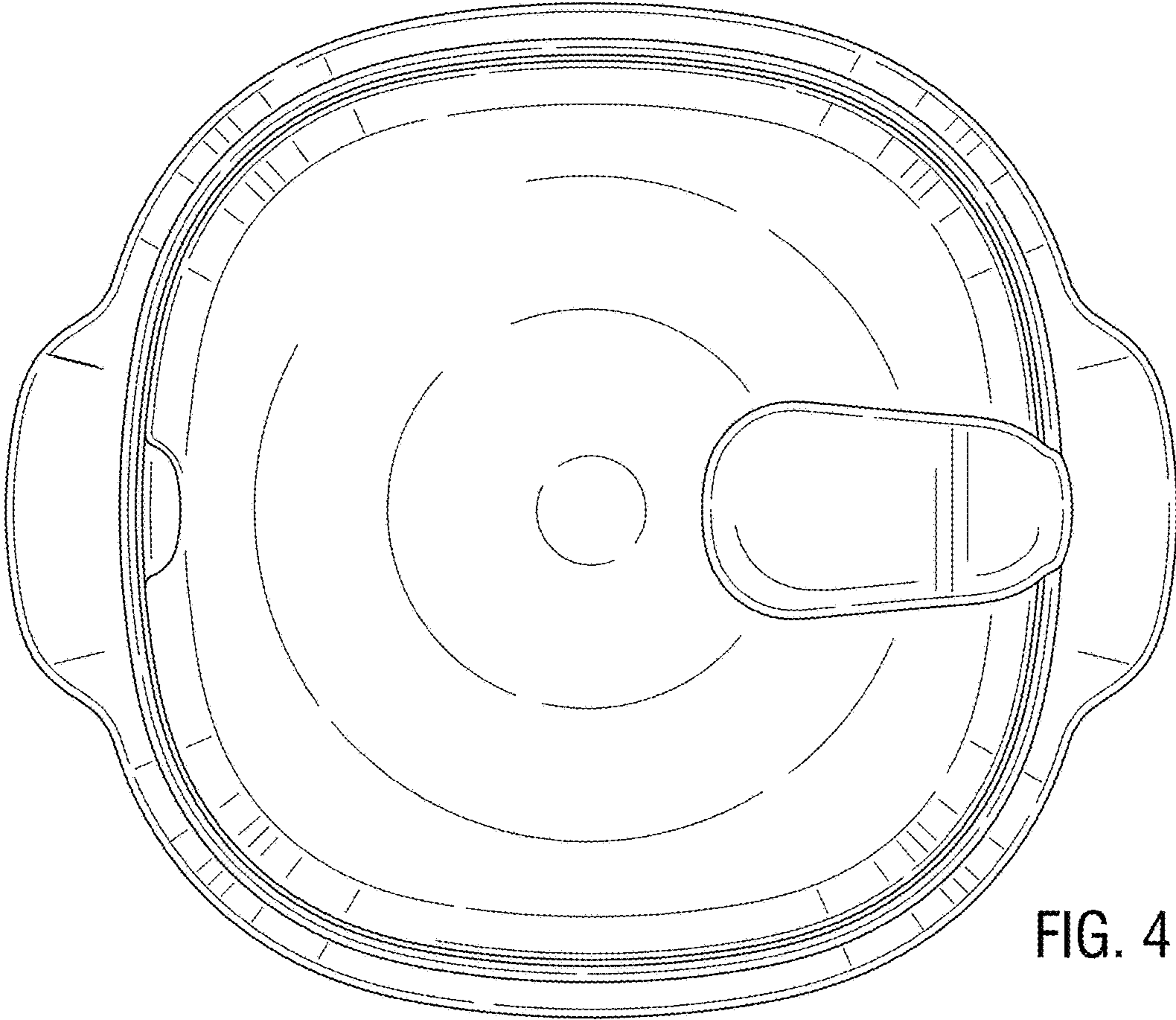


FIG. 4

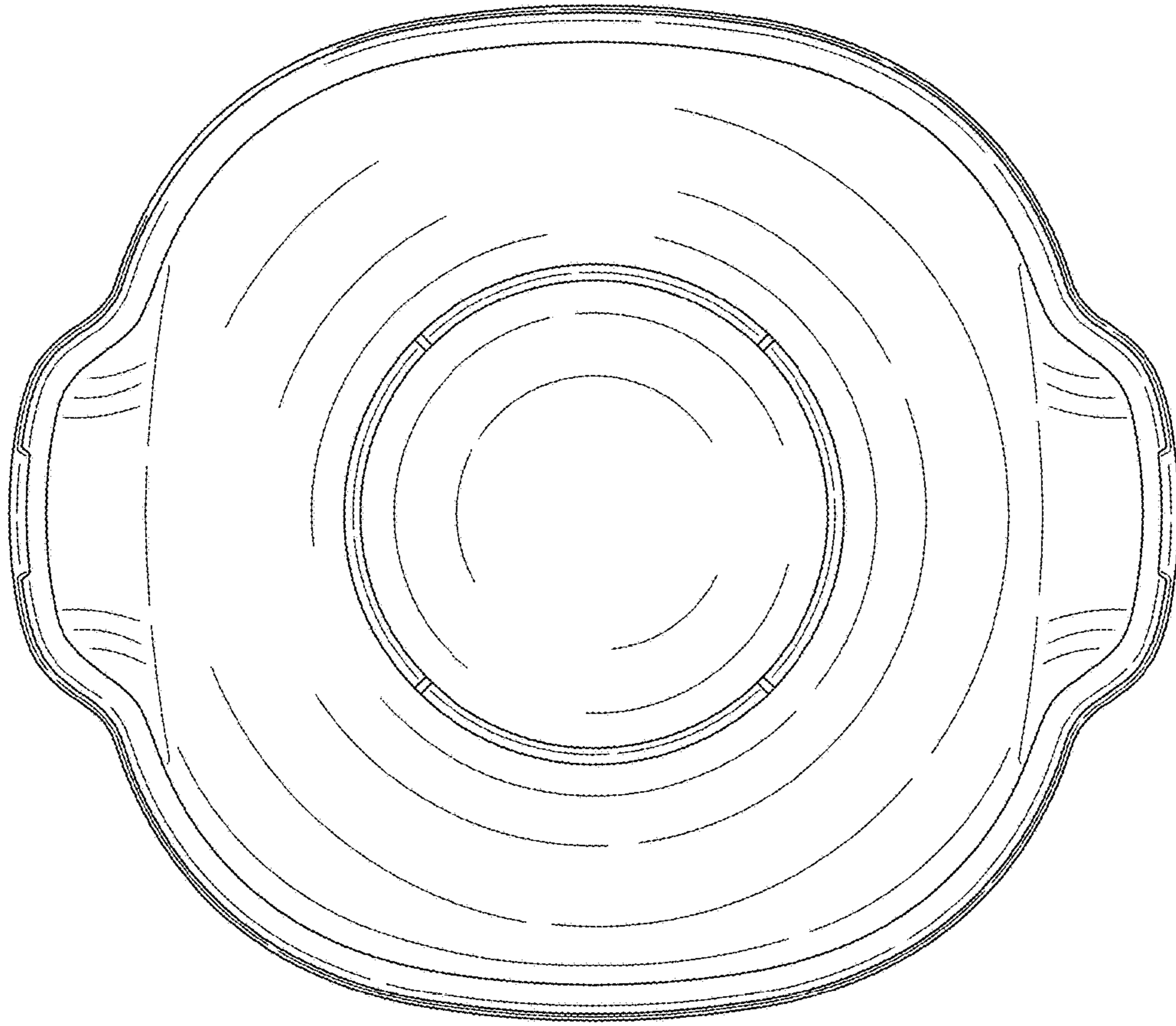


FIG. 5

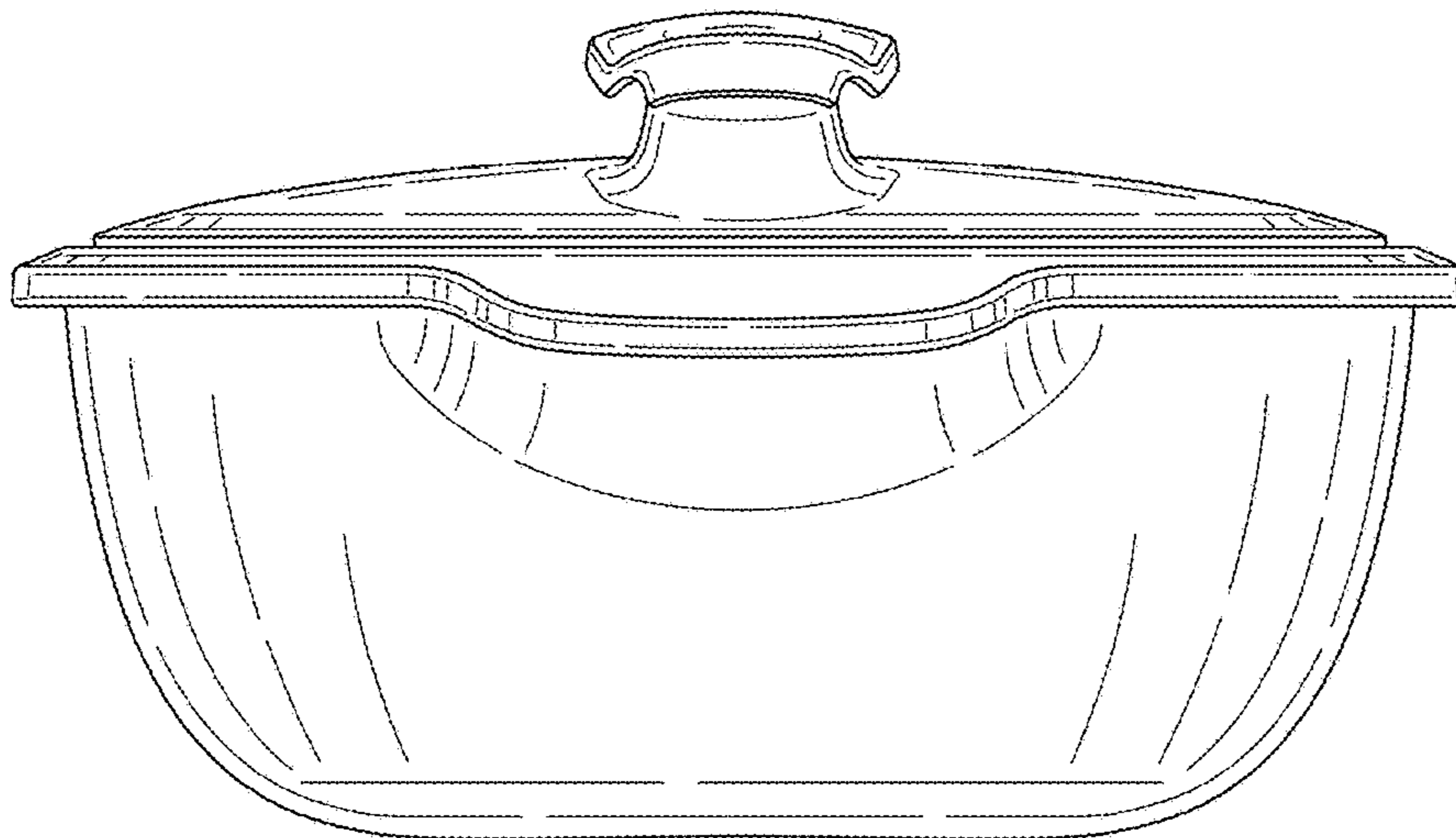


FIG. 6

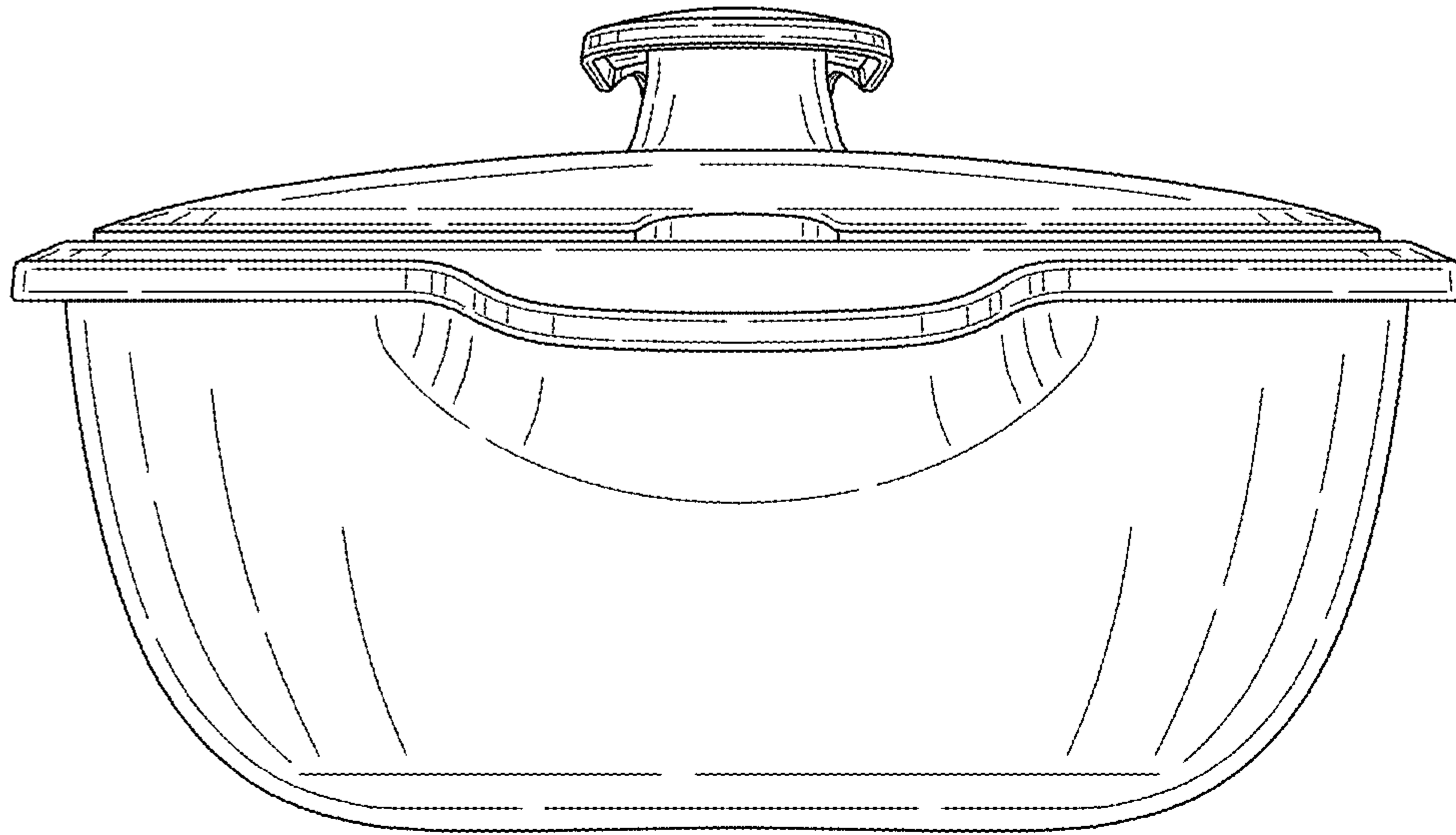


FIG. 7

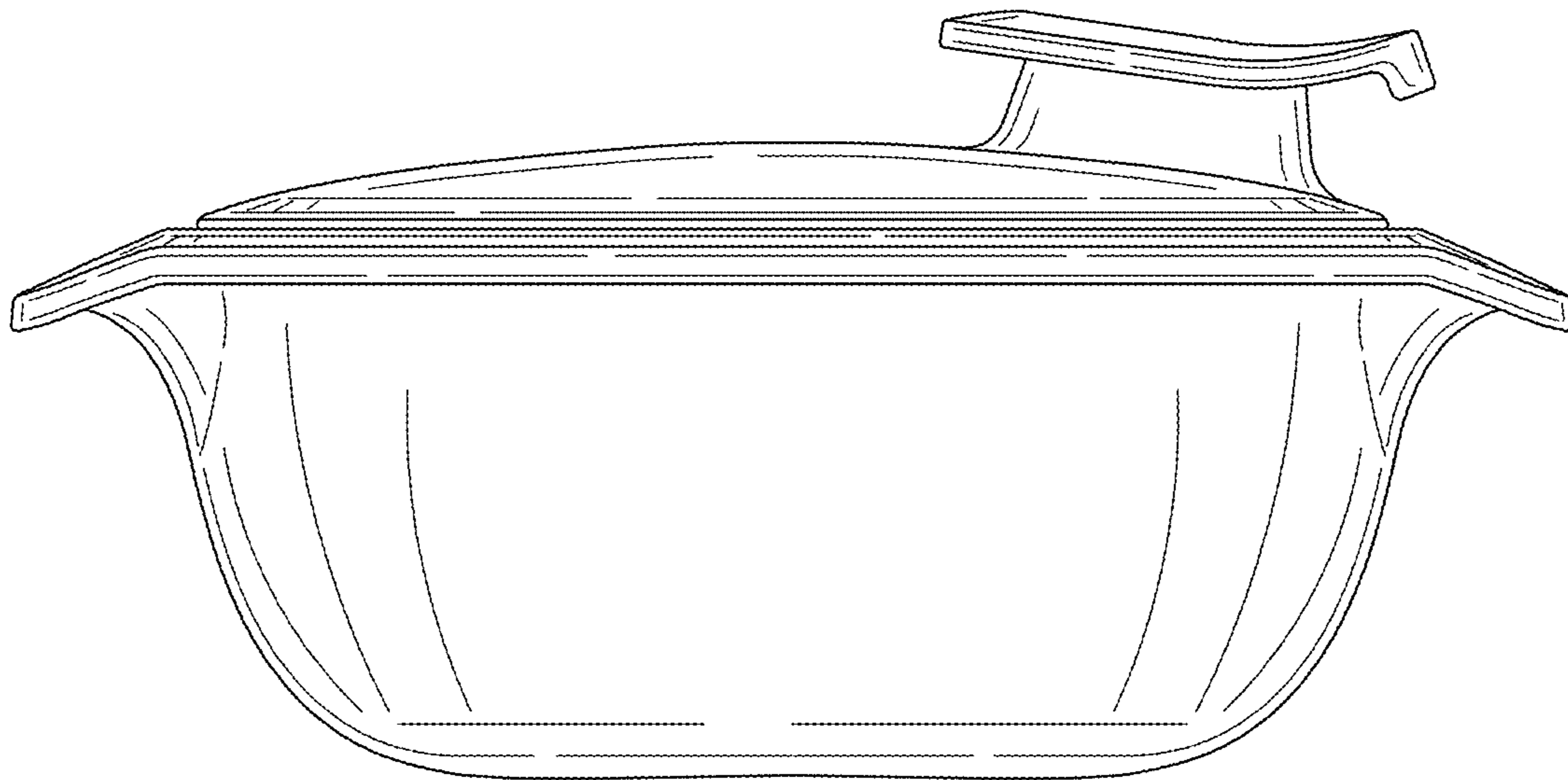


FIG. 8