

US00D790921S

(12) **United States Design Patent** (10) **Patent No.:** **US D790,921 S**  
**Lapsker** (45) **Date of Patent:** **\*\* Jul. 4, 2017**

(54) **BEVERAGEWARE**  
(71) Applicant: **Starline Global Inc.**, Bridgetown (BB)  
(72) Inventor: **Ron Lapsker**, Thornhill (CA)  
(73) Assignee: **STARLINE GLOBAL INC.**,  
Bridgetown (BB)  
(\*\*) Term: **15 Years**

D588,936 S \* 3/2009 Ioannides ..... D9/776  
D625,192 S \* 10/2010 Kooser ..... D9/452  
D647,760 S \* 11/2011 Pearson ..... D7/510  
D658,944 S \* 5/2012 Gilbert ..... D7/511  
D692,270 S 10/2013 Lapsker  
D701,428 S 3/2014 Lapsker  
D705,012 S 5/2014 Lapsker  
D712,739 S 9/2014 Lapsker  
D718,980 S 12/2014 Lapsker  
D723,331 S 3/2015 Lapsker  
D723,865 S 3/2015 Lapsker

(Continued)

(21) Appl. No.: **29/573,262**  
(22) Filed: **Aug. 4, 2016**  
(51) **LOC (10) Cl.** ..... **07-01**  
(52) **U.S. Cl.**  
USPC ..... **D7/510**  
(58) **Field of Classification Search**  
USPC ..... D7/381, 507, 509-511, 523, 536, 608,  
D7/619.1; D9/452, 502; 215/DIG. 7;  
220/4.03, 592.16, 592.17, 703, 714, 717  
CPC ..... A47G 19/22; A47G 19/2205; A45F 3/16  
See application file for complete search history.

*Primary Examiner* — Daniel Bui  
*Assistant Examiner* — Andrew Kerr  
(74) *Attorney, Agent, or Firm* — Hodgson Russ LLP

(57) **CLAIM**

The ornamental design for beverageware, as shown and described.

**DESCRIPTION**

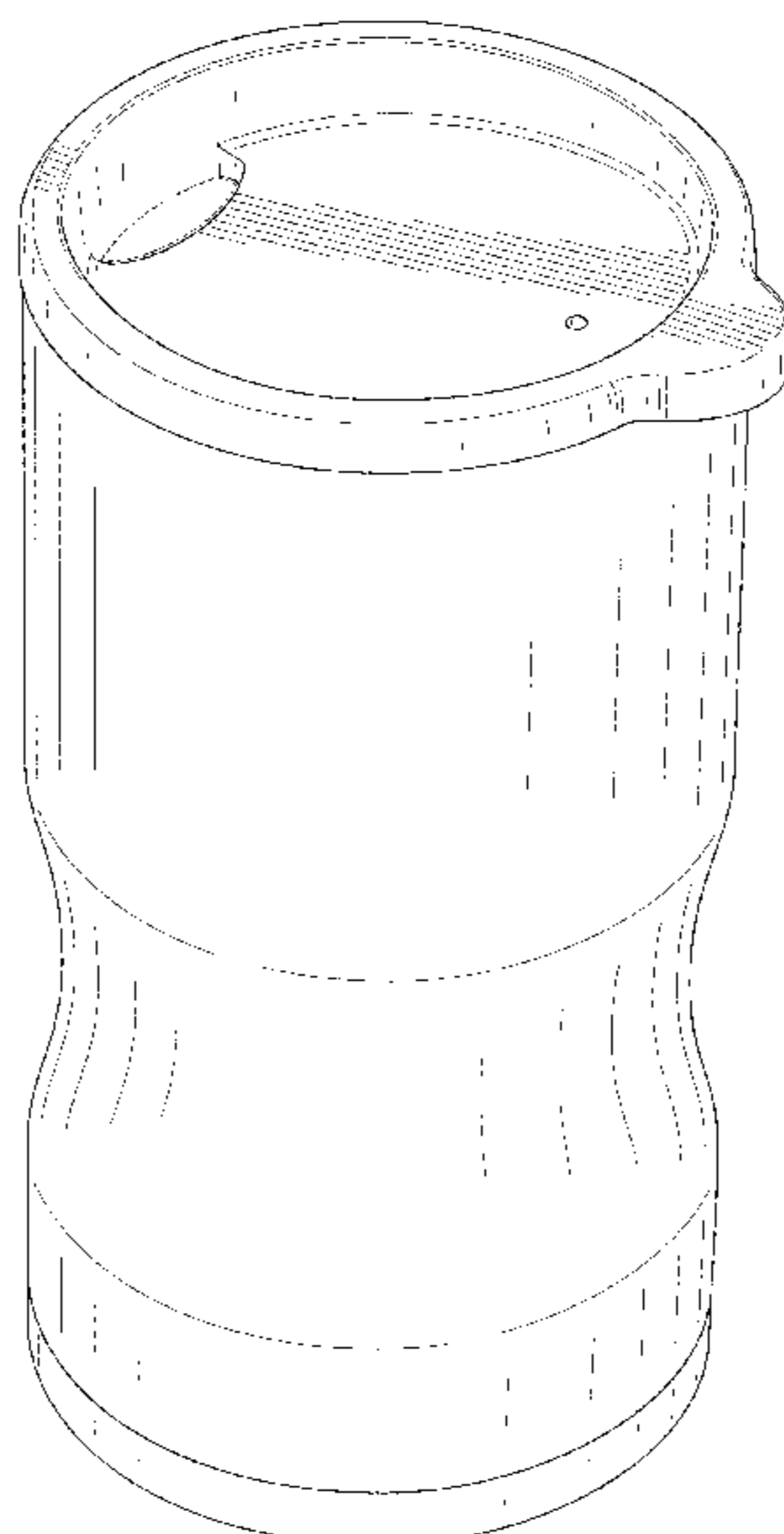
FIG. 1 is a perspective view of a first embodiment of beverageware showing my new design; FIG. 2 is a left side elevational view thereof; FIG. 3 is a right side elevational view thereof; FIG. 4 is a rear elevational view thereof; FIG. 5 is a front elevational view thereof; FIG. 6 is top plan view thereof; FIG. 7 is bottom plan view thereof; and, FIG. 8 is a perspective view of a second embodiment of beverageware that includes a lid having a transparent or translucent surface. The remaining elevational and plan views correspond to FIGS. 2-7, except that the lid of the second embodiment has a transparent or translucent surface. The broken lines illustrate unclaimed portions of the beverageware that form no part of the claimed design. The oblique shade lines of FIG. 8 indicate a transparent or translucent surface.

(56) **References Cited**

U.S. PATENT DOCUMENTS

D451,807 S \* 12/2001 Goettner ..... D9/502  
D460,324 S 7/2002 Norris et al.  
D460,661 S 7/2002 Norris et al.  
D464,849 S 10/2002 Norris et al.  
D468,588 S 1/2003 Norris et al.  
D469,658 S 2/2003 Norris et al.  
D475,891 S \* 6/2003 Bin ..... D7/510  
D479,669 S 9/2003 Norris et al.  
D482,933 S 12/2003 Norris et al.  
D483,615 S 12/2003 Norris et al.  
D503,074 S 3/2005 Norris et al.  
D539,607 S 4/2007 Lapsker  
D539,608 S 4/2007 Lapsker  
D539,610 S 4/2007 Lapsker  
D540,119 S 4/2007 Lapsker  
D569,187 S \* 5/2008 Sandberg ..... D7/509

**1 Claim, 8 Drawing Sheets**



(56)

**References Cited**

U.S. PATENT DOCUMENTS

D727,093 S	4/2015	Lapsker	
D729,582 S	5/2015	Lapsker	
D729,583 S	5/2015	Lapsker	
D734,989 S	7/2015	Lapsker	
D746,634 S	1/2016	Lapsker	
D746,635 S	1/2016	Lapsker	
D754,484 S	4/2016	Lapsker	
D754,485 S	4/2016	Lapsker	
D760,021 S	6/2016	Lapsker	
D761,618 S	7/2016	Lapsker	
D782,243 S *	3/2017	Gieske .....	D7/381

\* cited by examiner

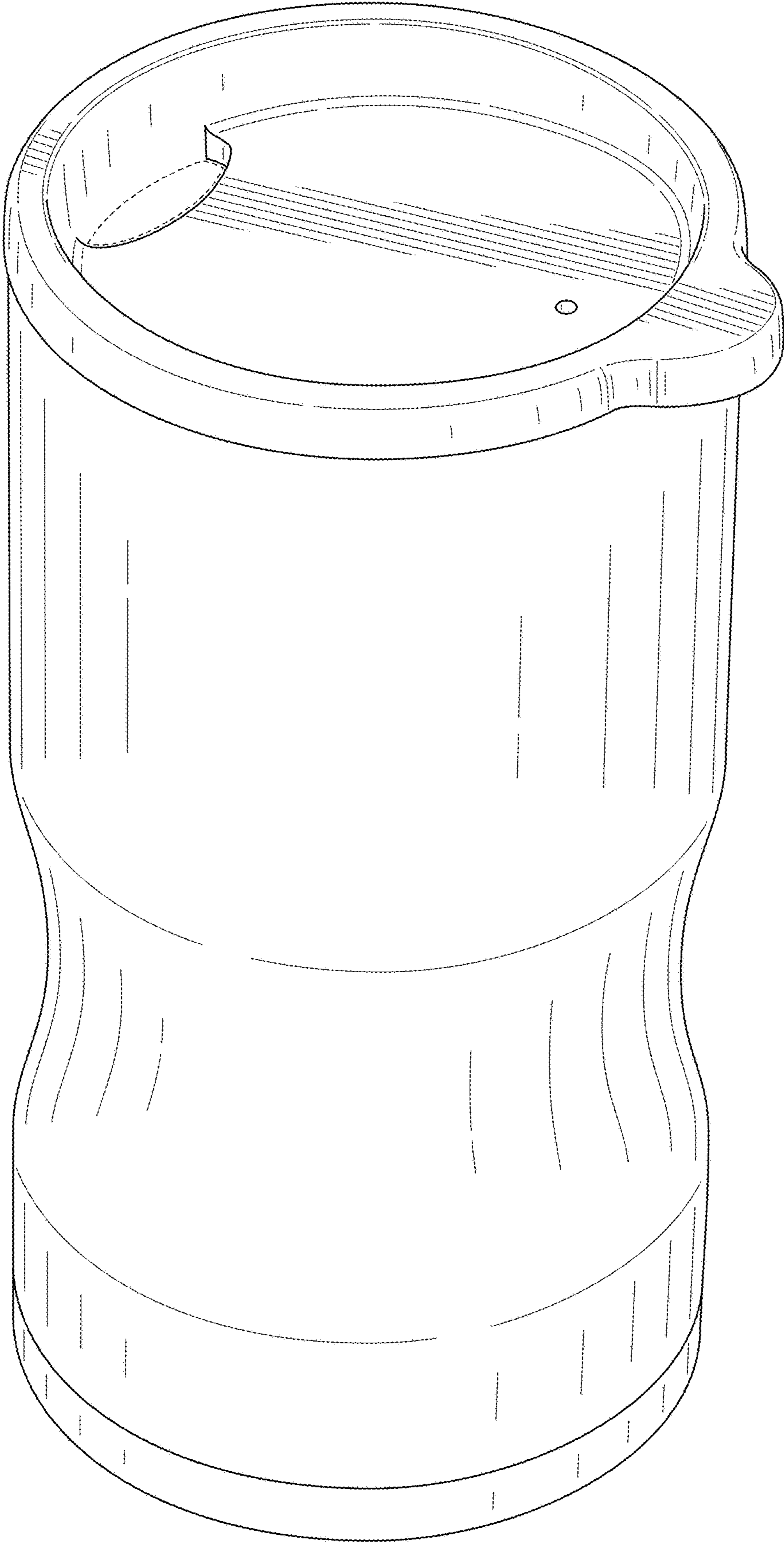
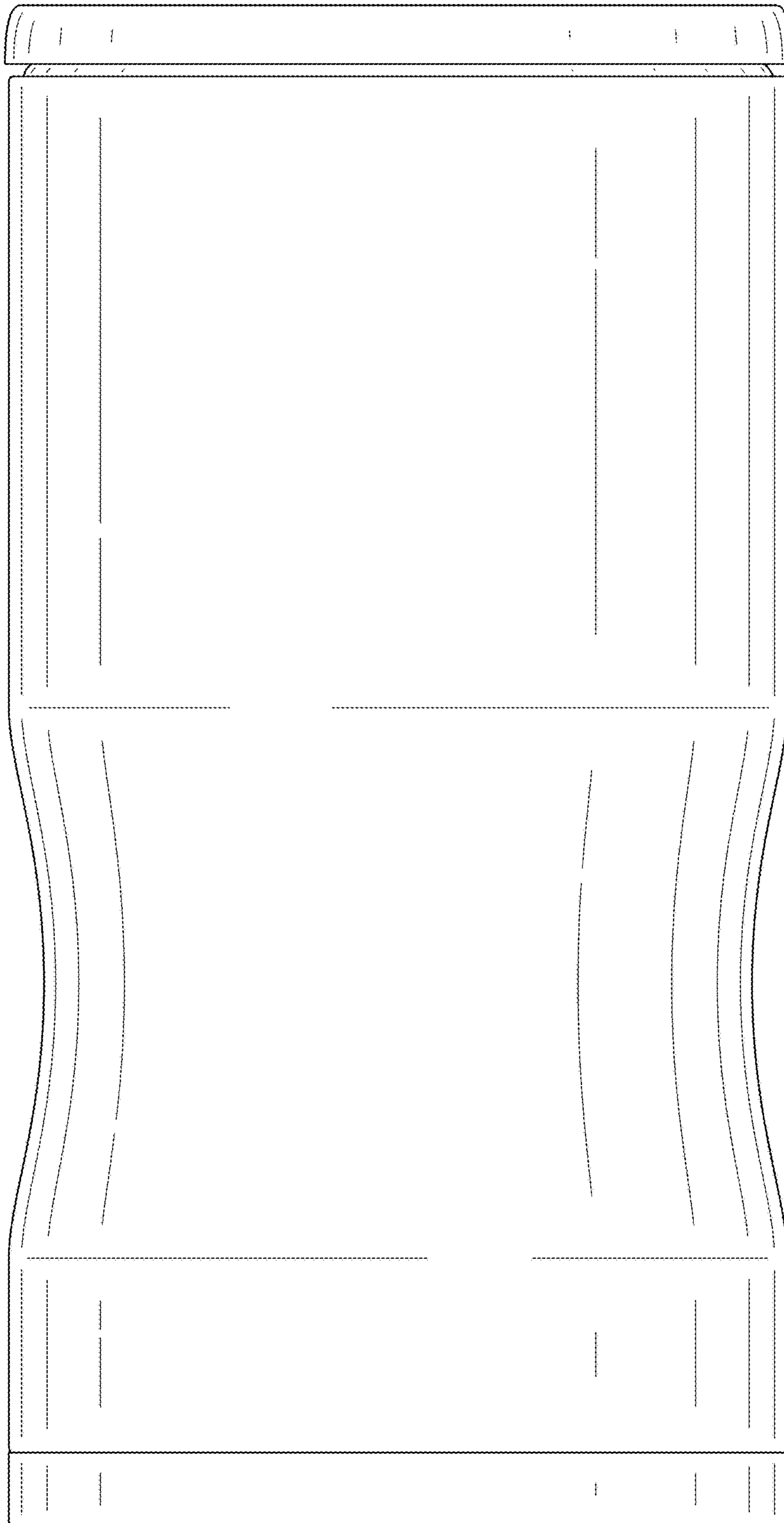
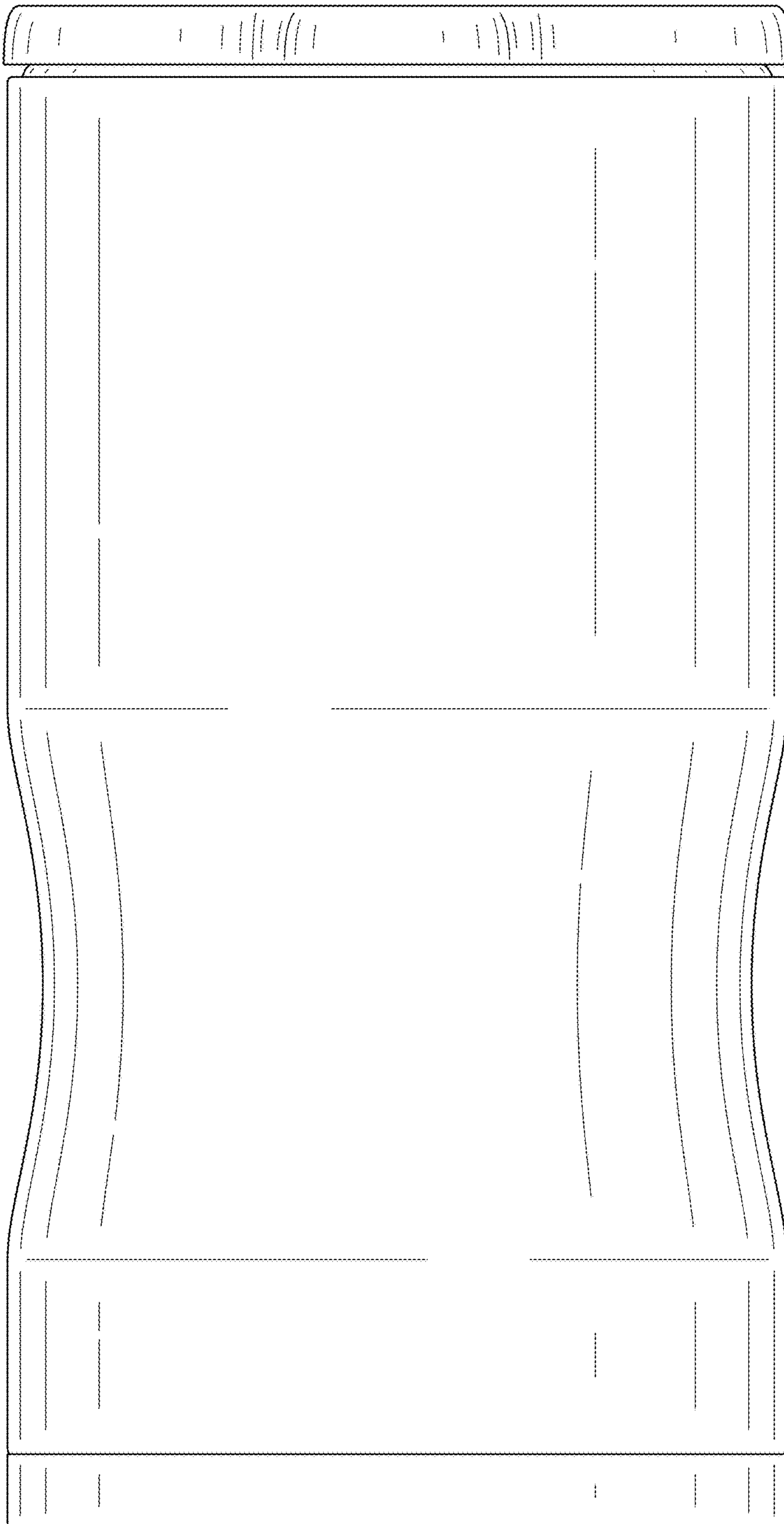


FIG. 1



**FIG. 2**



**FIG. 3**



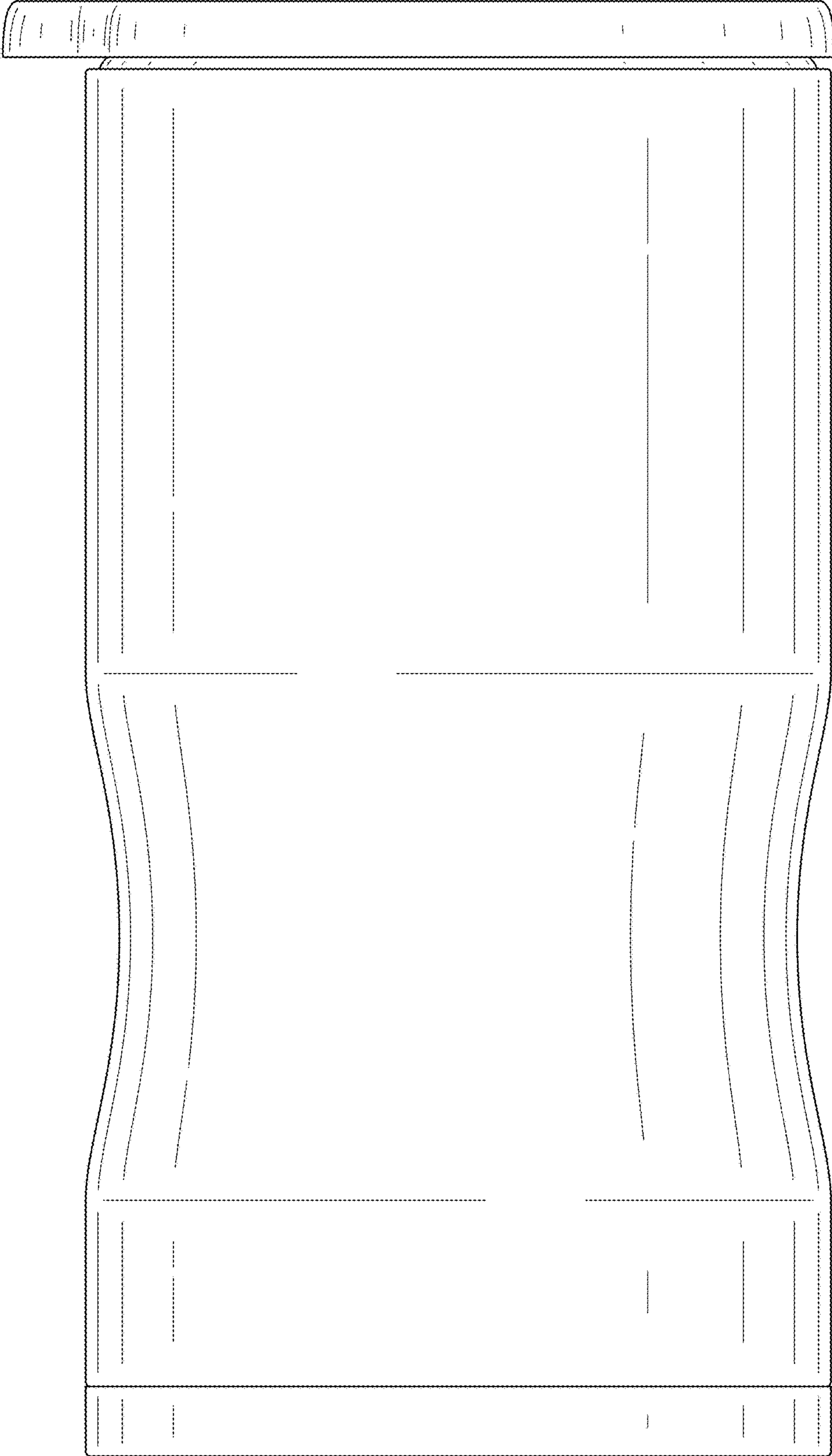


FIG. 4

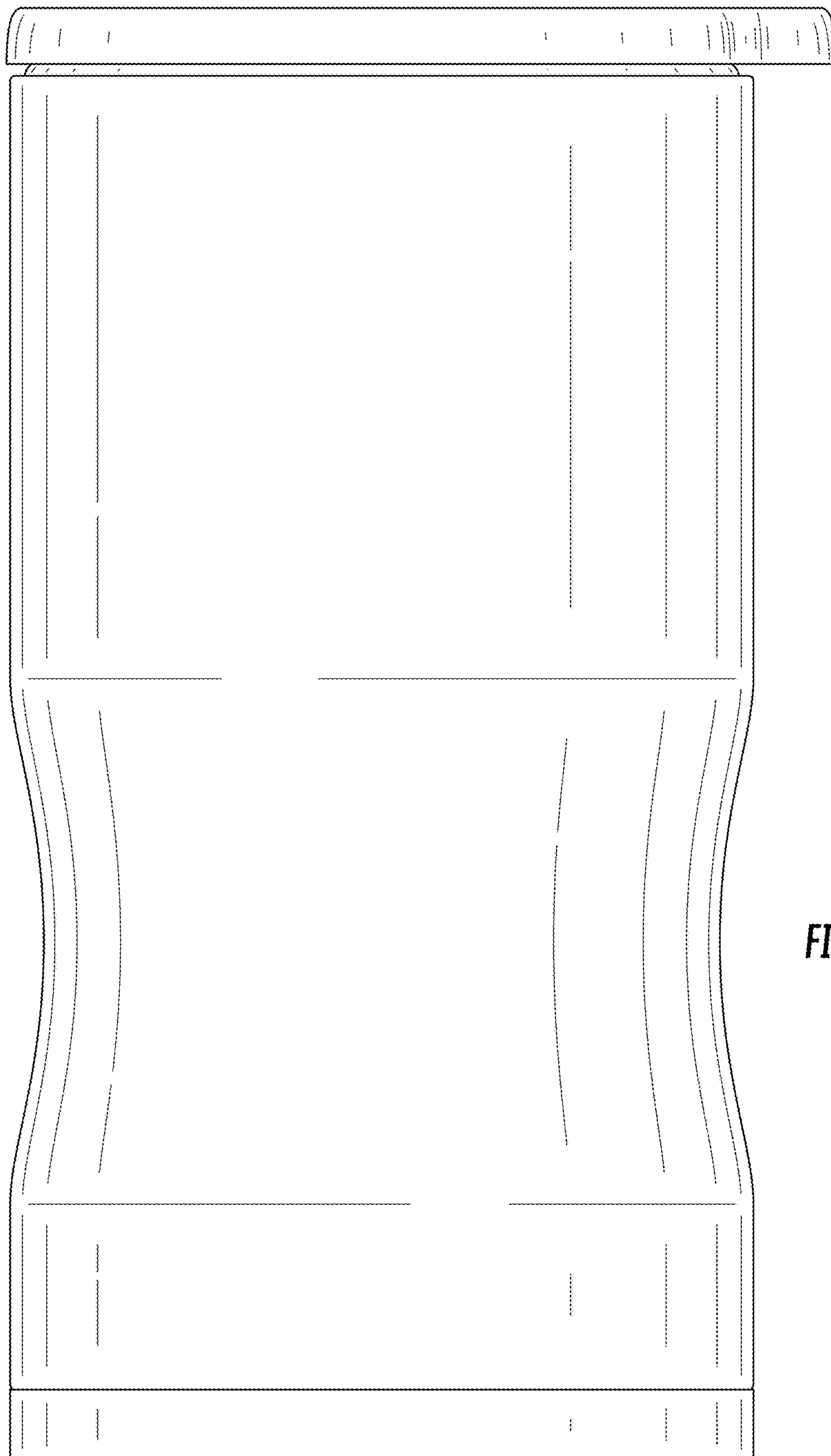
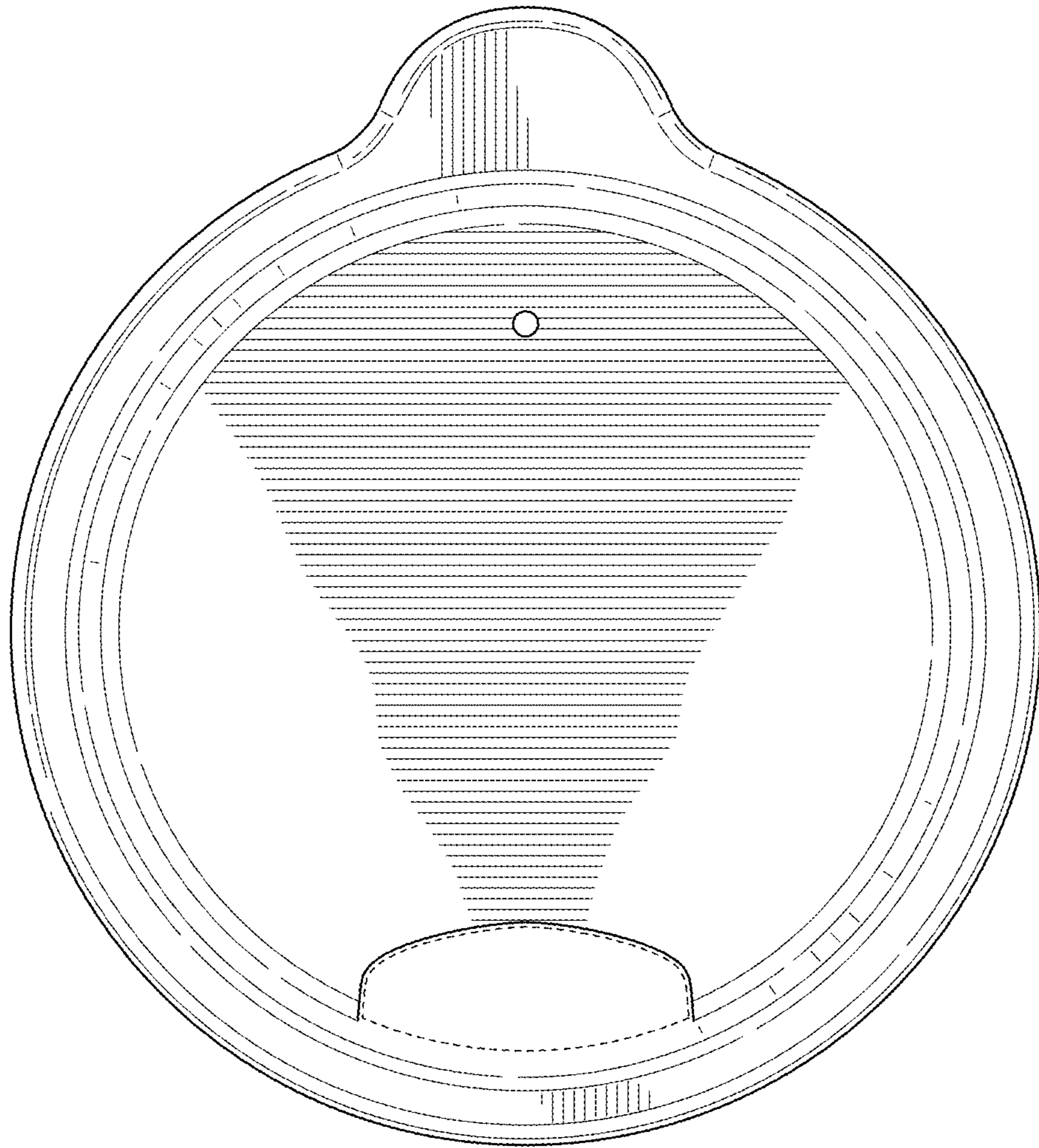
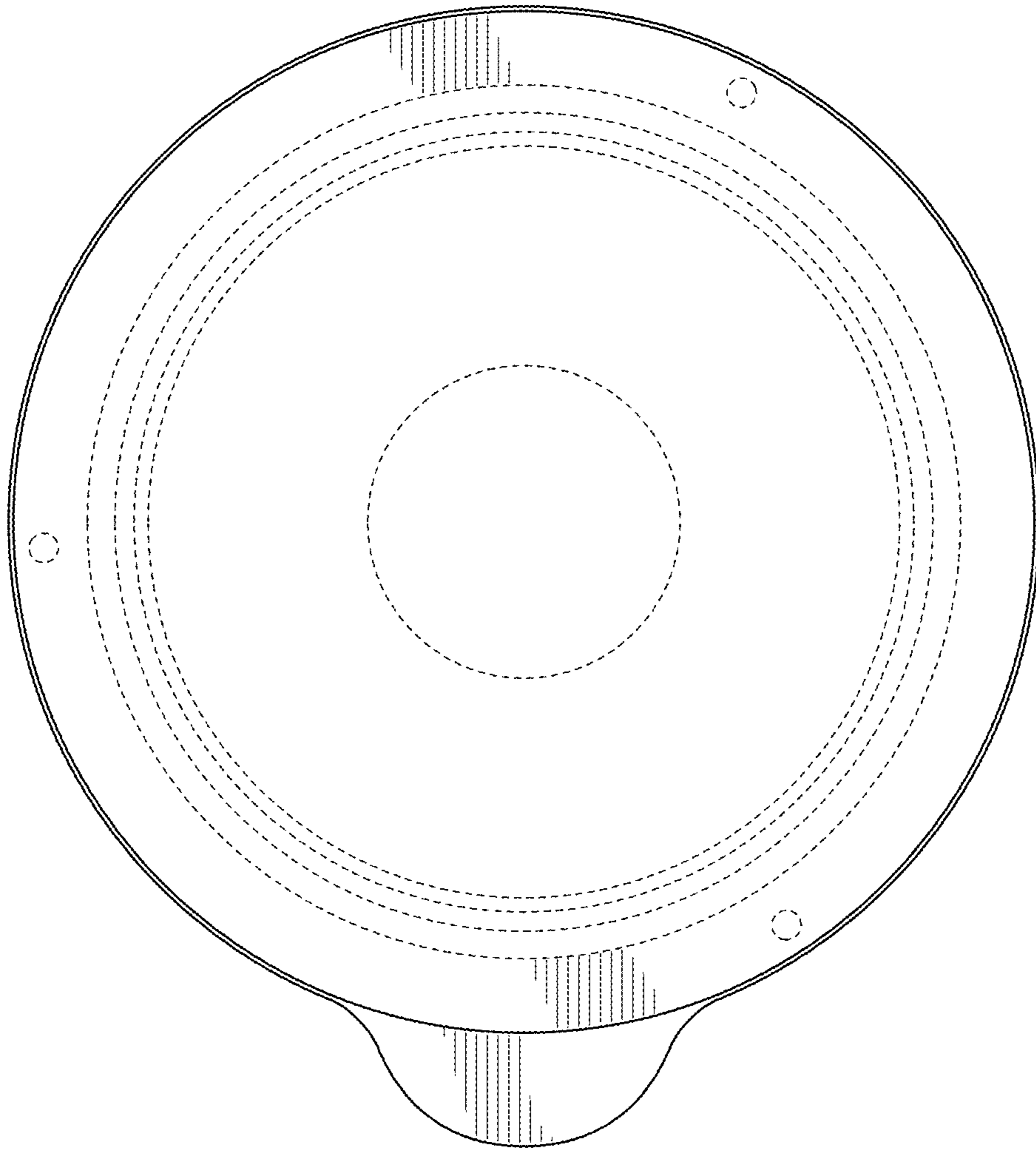


FIG. 5



**FIG. 6**





**FIG. 7**

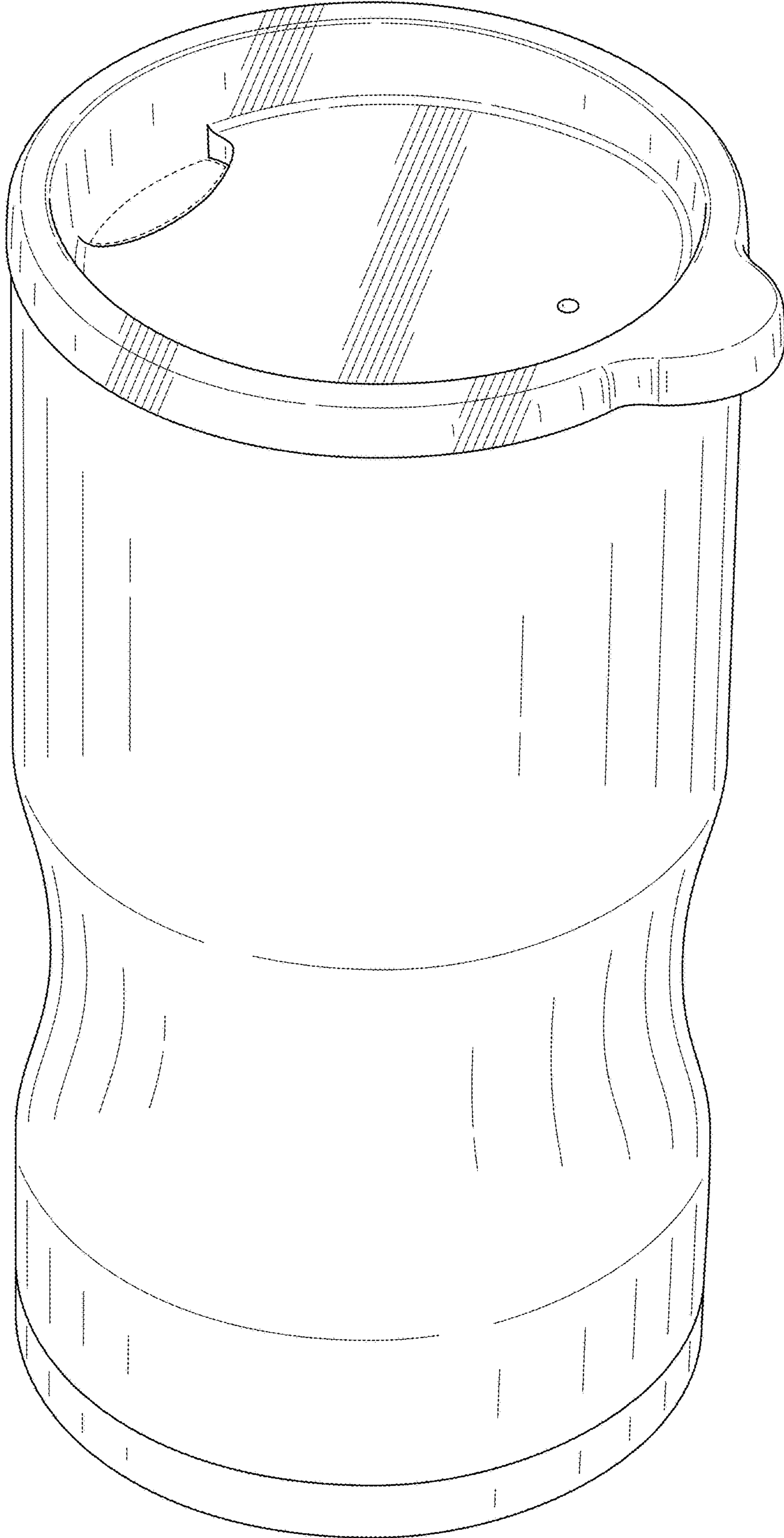


FIG. 8