



US00D790920S

(12) **United States Design Patent** (10) **Patent No.:** **US D790,920 S**  
**Goodwin et al.** (45) **Date of Patent:** **\*\* Jul. 4, 2017**

(54) **BOTTLE**

(71) Applicant: **Helen of Troy Limited**, St. Michael (BB)

(72) Inventors: **Brian George Goodwin**, Bend, OR (US); **Ryan James Diener**, Bend, OR (US)

(73) Assignee: **Helen of Troy Limited**, St. Michael (BB)

(\*\*) Term: **15 Years**

(21) Appl. No.: **29/545,622**

(22) Filed: **Nov. 13, 2015**

(51) **LOC (10) Cl.** ..... **07-01**

(52) **U.S. Cl.**

USPC ..... **D7/510**; D7/536; D7/608; D7/532

(58) **Field of Classification Search**

USPC ..... D7/507, 509, 510, 511, 512, 523, 531, D7/532, 533, 535, 536, 608, 392.1, 396.2, D7/529, 667; D9/435, 436, 449, 442, D9/443, 500, 502, 503, 504, 529, 447; 220/592.16, 592.17, 62.12, 703

CPC ..... A45F 3/16; B65D 47/066; A47J 43/27; A47G 19/2272; A47G 19/2211; A47G 19/22; A47G 19/2222

See application file for complete search history.

(56) **References Cited**

**U.S. PATENT DOCUMENTS**

- 6,059,443 A \* 5/2000 Casey ..... A45F 3/16 206/219
- D553,914 S 10/2007 Wahl
- D620,357 S \* 7/2010 Jewett ..... D9/443
- D624,362 S \* 9/2010 Wahl ..... D7/392.1
- D632,524 S 2/2011 Rosbach et al.
- D633,338 S 3/2011 Rosbach et al.
- D633,799 S \* 3/2011 Cresswell ..... D9/500

- D648,984 S 11/2011 Gullickson et al.
- D652,256 S 1/2012 Eyal
- D654,793 S 2/2012 Rosbach
- D655,571 S \* 3/2012 Tuttle ..... D7/510
- D659,538 S \* 5/2012 Lecetre ..... D9/500
- D672,198 S \* 12/2012 Soltz ..... D7/507

(Continued)

**FOREIGN PATENT DOCUMENTS**

- TW 419188 B 1/2001
- TW D139937 S 4/2011

**OTHER PUBLICATIONS**

Oct. 26, 2016, Office action from The Taiwanese Intellectual Property Office in Taiwanese Design Patent Application No. 105302558, which claims the benefit of priority to this U.S. application.

(Continued)

*Primary Examiner* — Marianne Pandozzi

*Assistant Examiner* — Jae Liang

(74) *Attorney, Agent, or Firm* — Kolisch Hartwell, P.C.

(57) **CLAIM**

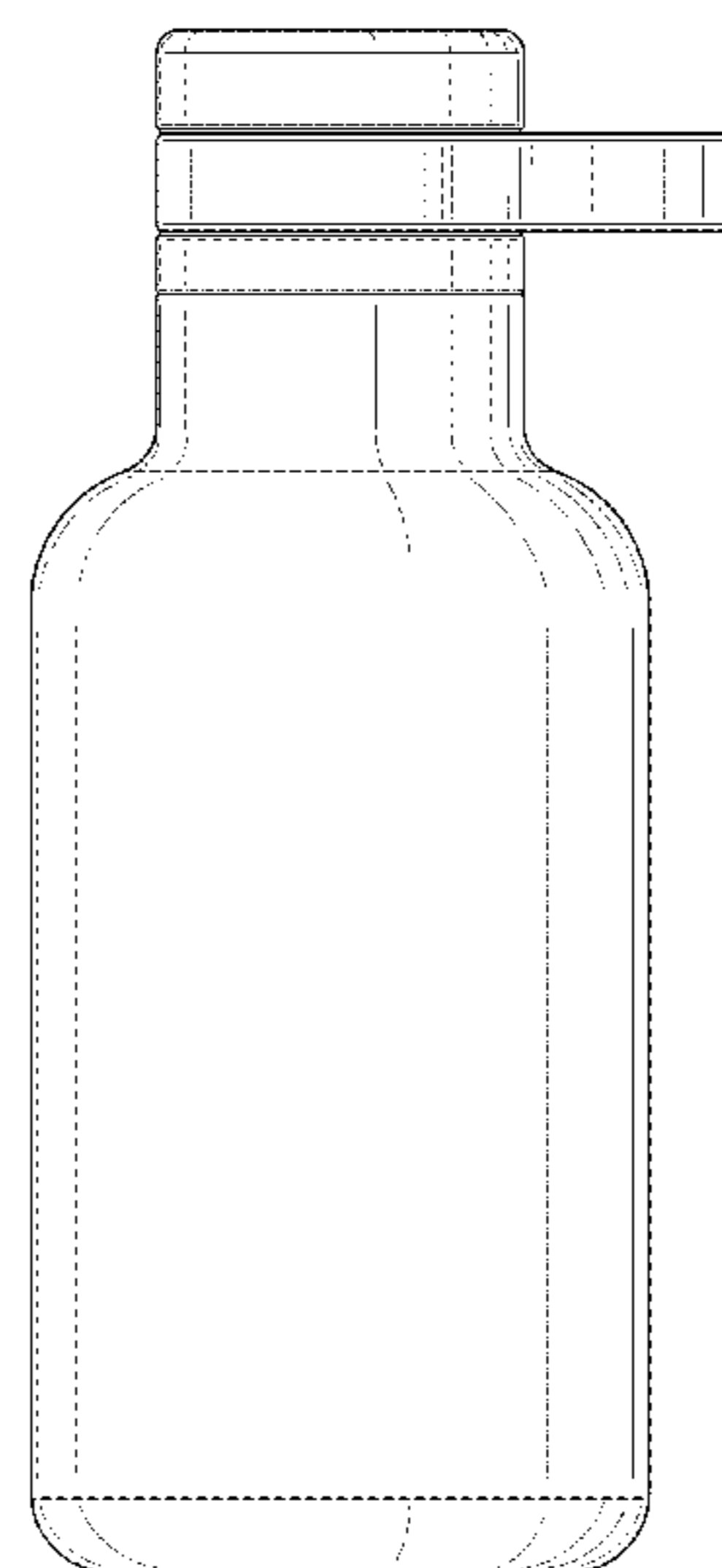
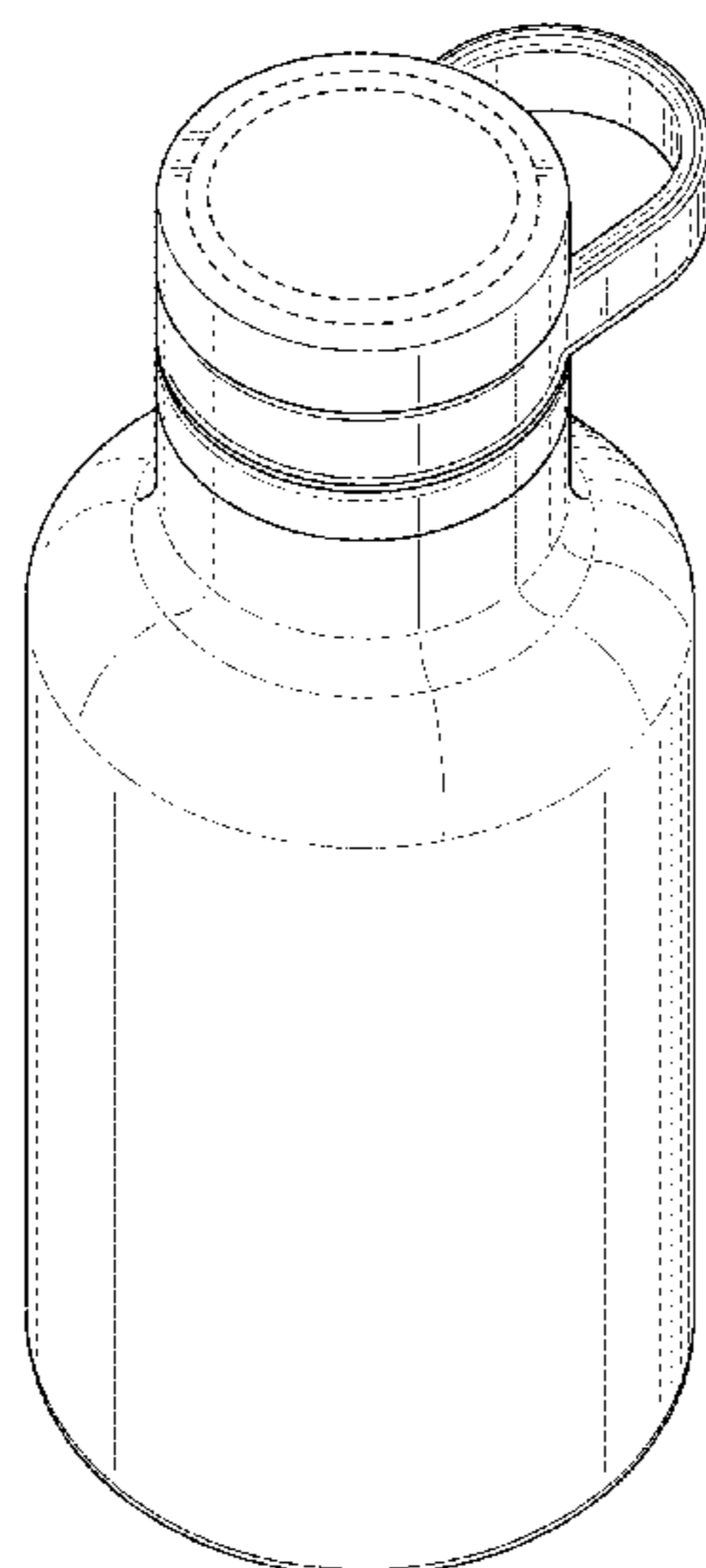
The ornamental design for a bottle, as shown and described.

**DESCRIPTION**

FIG. 1 is an upper, front, and right side perspective view of a bottle showing our new design; FIG. 2 is a lower, rear, and left side perspective view thereof; FIG. 3 is a front view thereof; FIG. 4 is a rear view thereof; FIG. 5 is a left side view thereof; FIG. 6 is a right side view thereof; FIG. 7 is a top view thereof; and, FIG. 8 is a bottom view thereof.

The broken lines in the drawing depict portions of the bottle that form no part of the claimed design.

**1 Claim, 7 Drawing Sheets**



(56)

References Cited

U.S. PATENT DOCUMENTS

D672,238	S	*	12/2012	Aziz	.....	D7/510
D672,609	S	*	12/2012	Aziz	.....	D7/507
D680,805	S		4/2013	Rosbach		
D682,697	S	*	5/2013	Gonzalez Rodriguez	.....	D9/500
D688,912	S		9/2013	Rosbach		
D693,170	S		11/2013	Rosbach		
D696,945	S	*	1/2014	Newman	.....	D9/500
D699,516	S	*	2/2014	Kim	.....	D7/510
D700,012	S		2/2014	Hurley et al.		
D700,802	S	*	3/2014	Miller	.....	D7/392.1
D704,986	S		5/2014	Manies		
D721,964	S	*	2/2015	Ramplery	.....	D9/500
D724,385	S	*	3/2015	Hurley	.....	D7/511
D728,370	S	*	5/2015	Claussen	.....	D9/453
D743,269	S	*	11/2015	Pape	.....	D9/550
D774,363	S	*	12/2016	Seiders	.....	D7/608
D774,826	S	*	12/2016	Boroski	.....	D7/510
D781,662	S	*	3/2017	Seiders	.....	D7/510
2013/0032564	A1	*	2/2013	Rosbach	.....	A47G 19/2288 215/12.1
2014/0231442	A1	*	8/2014	Hill	.....	A47G 19/2266 220/740
2015/0173539	A1		6/2015	Mason		
2015/0201774	A1		7/2015	Sorensen et al.		
2016/0157583	A1	*	6/2016	Winter	.....	A45D 34/00 215/227
2016/0270602	A1	*	9/2016	Casey	.....	A47J 43/27

OTHER PUBLICATIONS

The Bräuler™ Modular Growler System, retrieved from <http://gopaultech.com/blog/2011/06/the-brauler%E2%84%A2-stainless-steel-beer-brewing-growler/>, “The Bräuler™ Stainless Steel Beer Brewing Growler”, blog, page dated Jun. 8, 2011.

Drink Tanks Growler, retrieved from <https://www.kickstarter.com/projects/584321487/the-perfect-beer-drinking-vessel-and-private-keg> and <http://www.homebrewfinds.com/2014/06/hands-on-drink-tanks-growler-and-keg-cap.html>, Kickstarter campaign, Kickstarter page dated Mar. 13, 2013.

Classic Screw Top Glass Growler, retrieved from <http://www.bonappetit.com/drinks/beer/slideshow/beer-guide-for-college-students> and <http://vikingsmashbrewing.com/5-gallons-vs-1-gallon/>, “The Complete Guide to Drinking Beer for College Students”, article, bonappetit page dated Sep. 25, 2013.

Traditional Grolsch Closure, retrieved from <http://www.homebrewtinds.com/2014/04/hands-on-portland-growler-company-hand.html>, “Hands On: Portland Growler Company Hand Made Growlers”, article, page dated Apr. 4, 2014.

Klean Kanteen Growler, retrieved from <http://50campfires.com/klean-kanteen-growler-overview/>, “Klean Kanteen Growler Overview”, article, page dated Aug. 15, 2014.

Oggi 8080 Stainless Steel Double Walled Beer Growler, 56-Ounce, retrieved from Internet Archive Wayback Machine from <https://www.amazon.com/Oggi-8080-Stainless-Growler-56-Ounce/dp/B00JAFTX4K>, Amazon listing, page dated Oct. 17, 2014.

Growler Werks UKeg Growler, retrieved from <https://firstdraftbeer.net/2014/10/22/the-u-keg-pressurized-growler/>, article, The uKeg™ Pressurized Growler, article, page dated Oct. 22, 2014.

Miir Growler, retrieved from <http://www.gogumption.com/go-outdoors/classic-modern-6-best-beer-growlers/>, “From Classic to Modern: In Search of the Perfect Growler”, article, page dated Oct. 22, 2014.

Innate Growler, retrieved from <http://www.gogumption.com/go-hike/2014-holiday-gift-guide/>, “The 2014 Holiday Gift Guide”, article, page dated Dec. 4, 2014.

Stanley Growler, retrieved from <https://gearjunkie.com/2015-16-winter-gear-first-look/>, “First Look: 2015/16 Winter Gear”, article, page dated Jan. 21, 2015.

Revletics 1.0L Stainless Steel Insulated Water Bottle—Blue, retrieved from Internet Archive Wayback Machine from <http://revletics.com/1l-stainless-steel-insulated-water-bottle>, product was commercially available prior to the filing date of the instant application at Revletics listing, listing, page dated Jun. 2, 2015.

Everich Growler, retrieved from <http://everich001.en.alibaba.com/> and <http://everich.cn/>, product was commercially available prior to the filing date of the instant application, and at least as early as Oct. 6, 2015.

Fifty Fifty Growler, retrieved from <http://www.fiftyfiftybottles.com/>, product was commercially available prior to the filing date of the instant application, and at least as early as Oct. 6, 2015.

\* cited by examiner

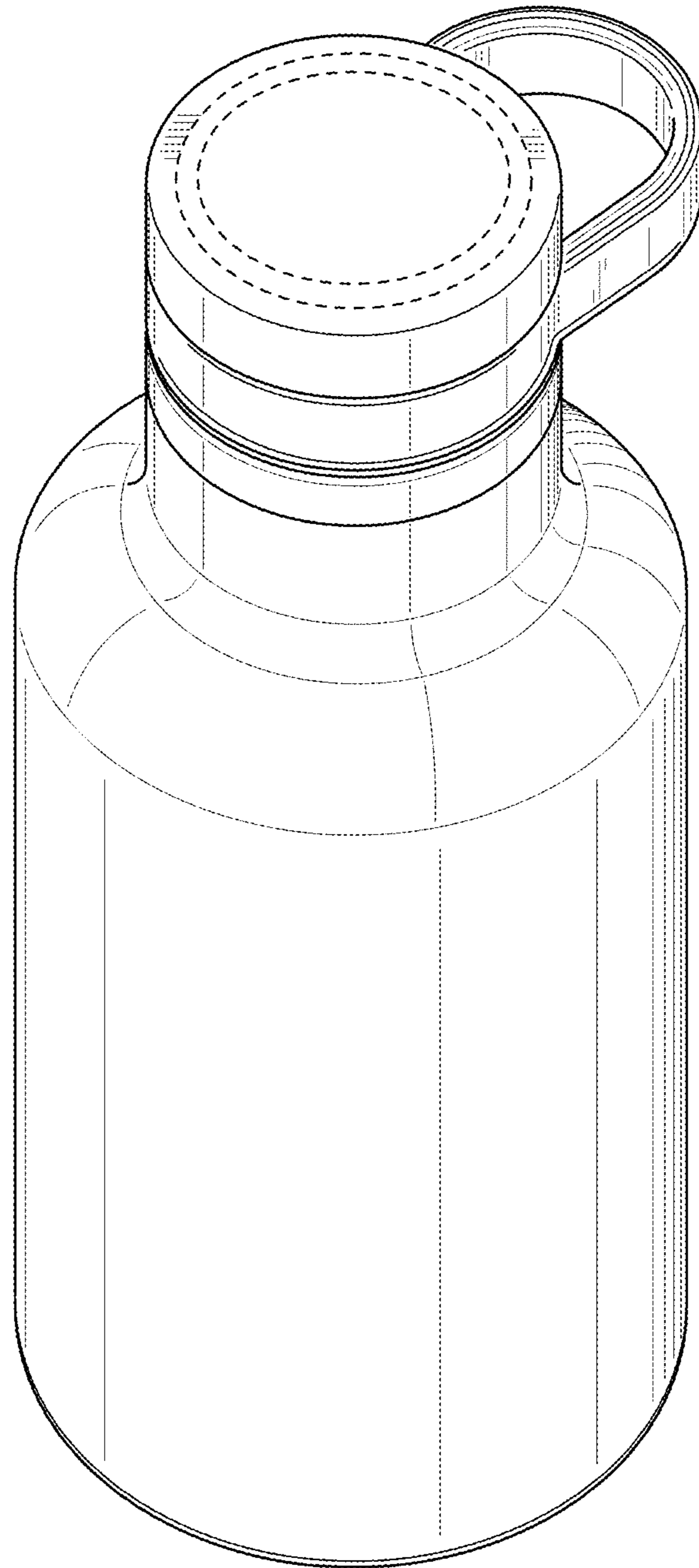


FIG. 1

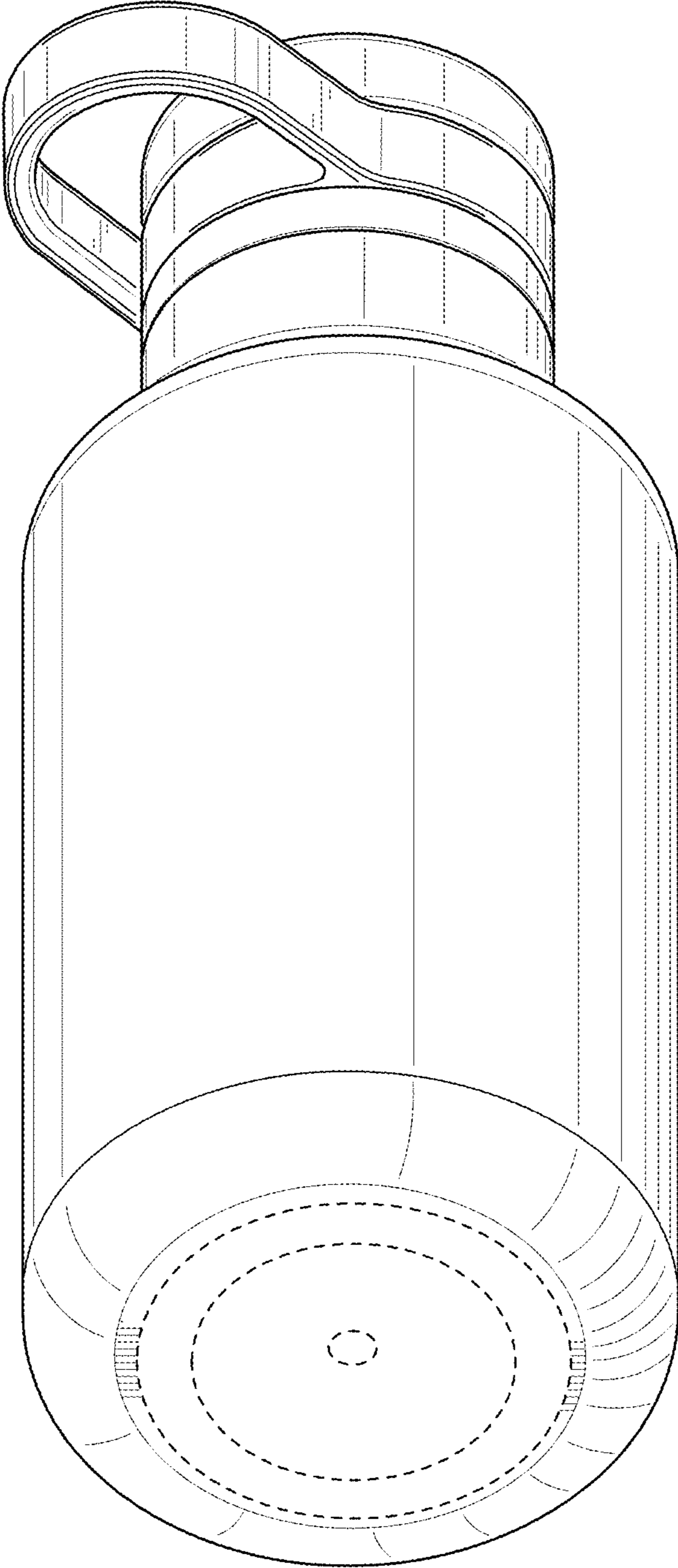


FIG. 2

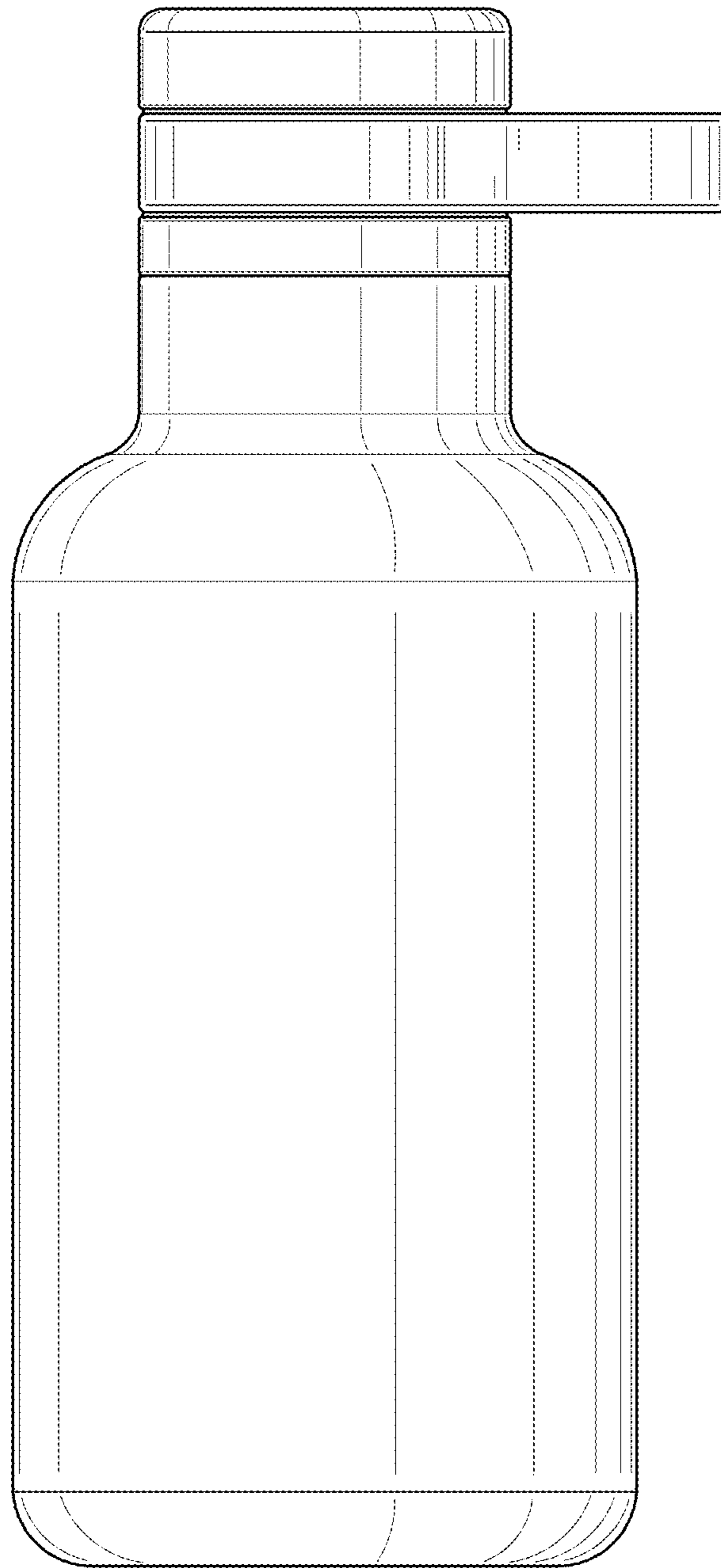


FIG. 3

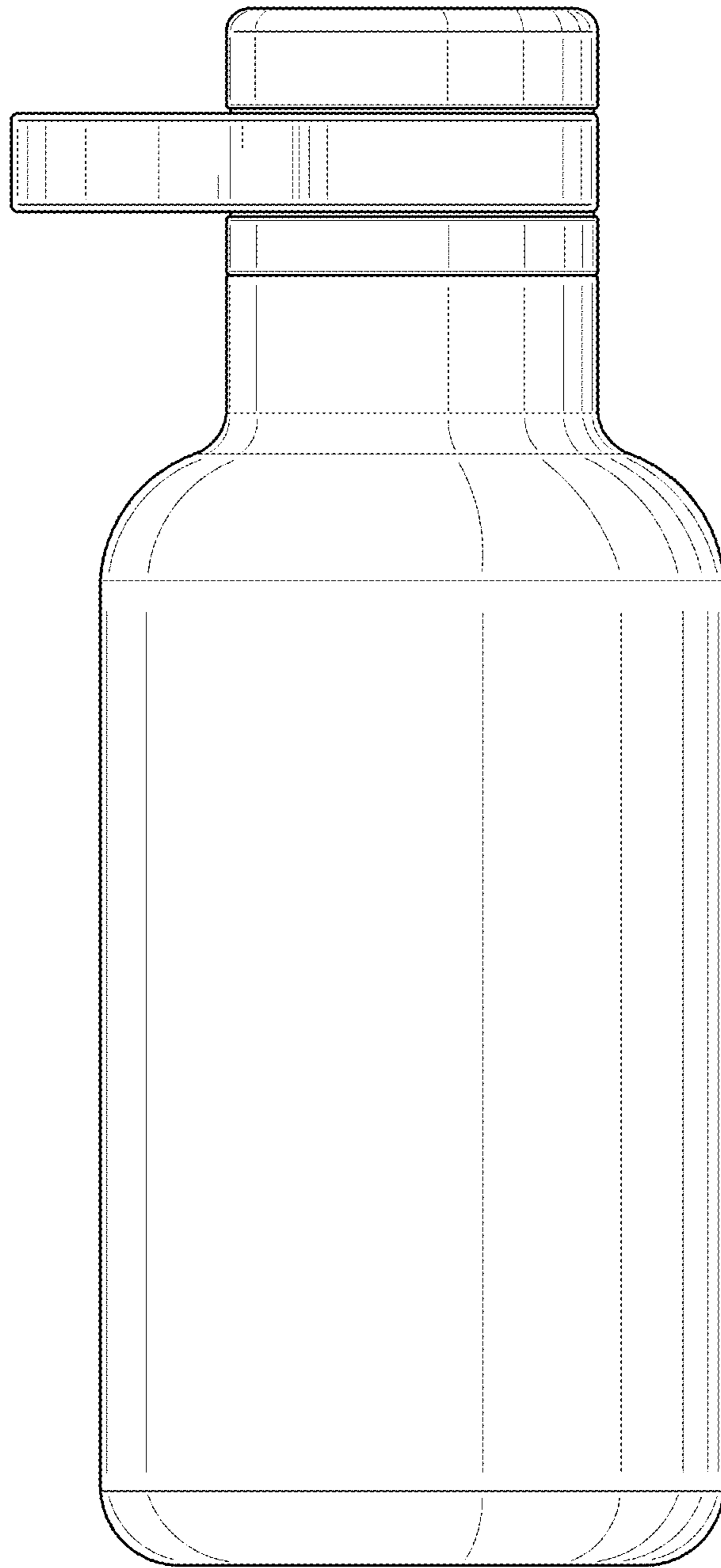


FIG. 4

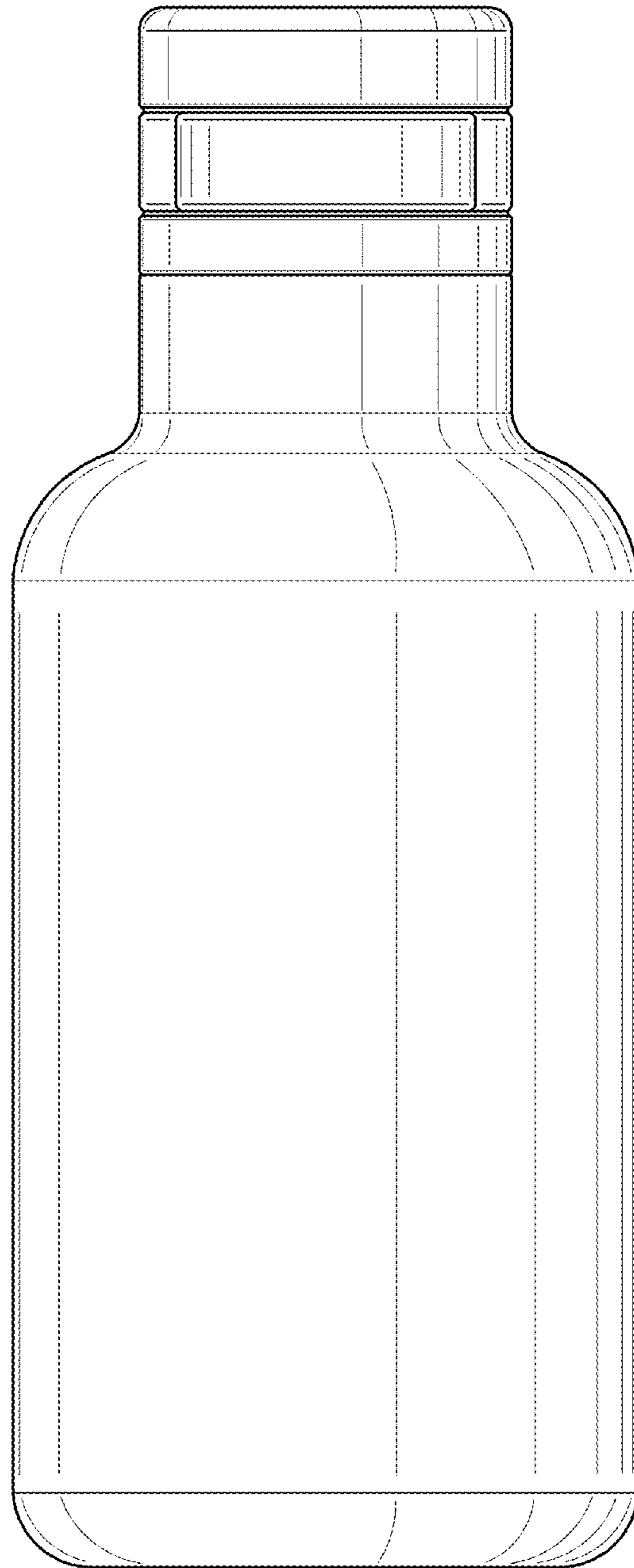


FIG. 5

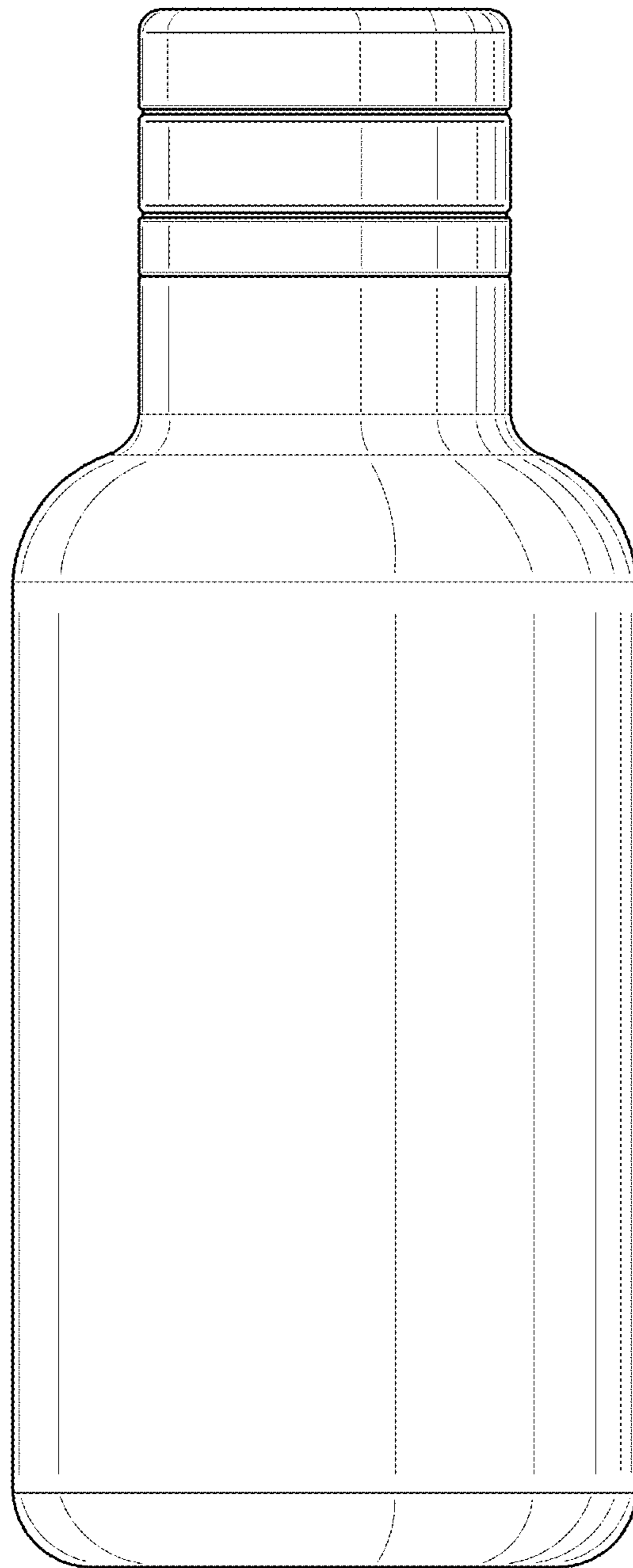


FIG. 6



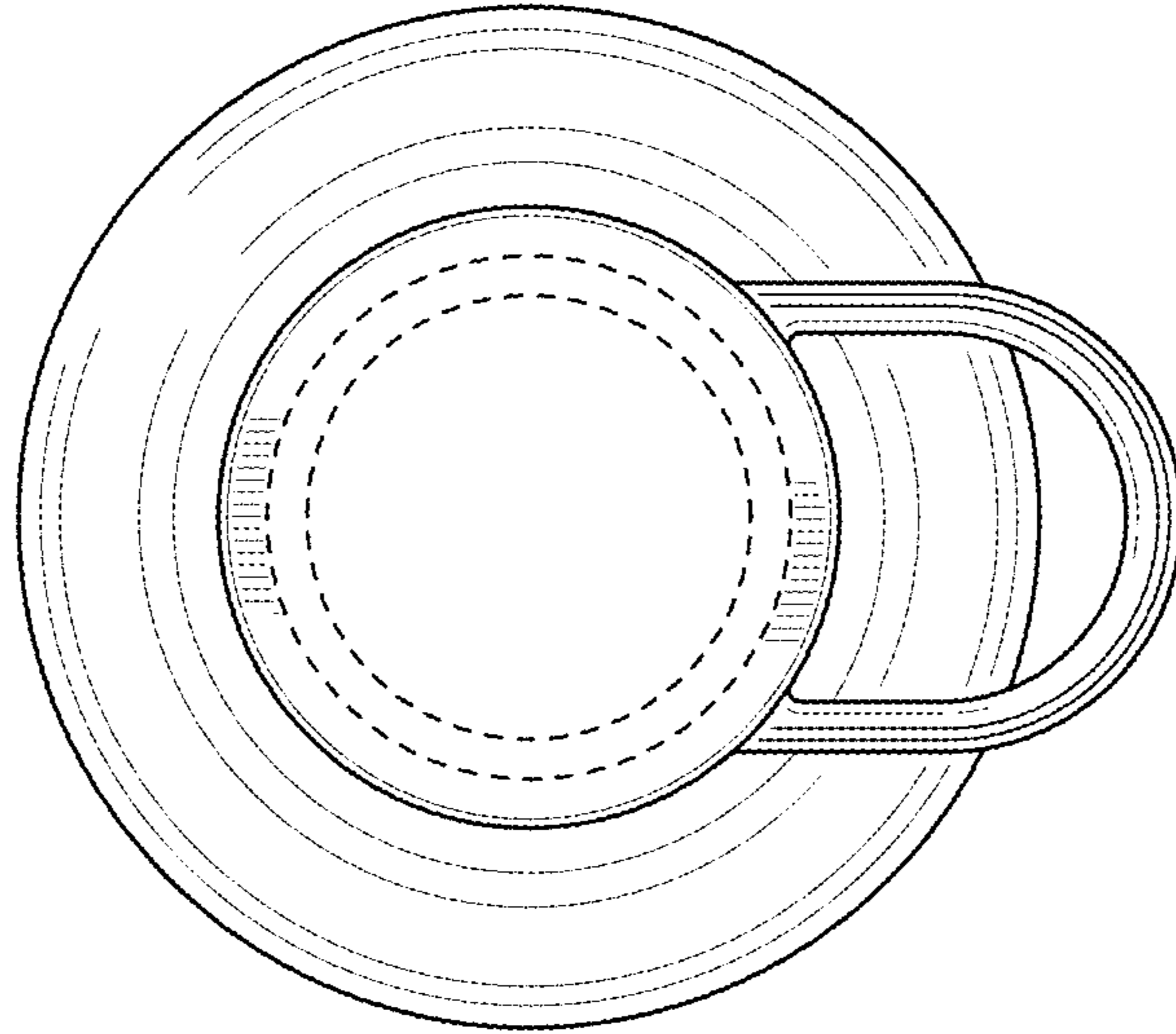


FIG. 7

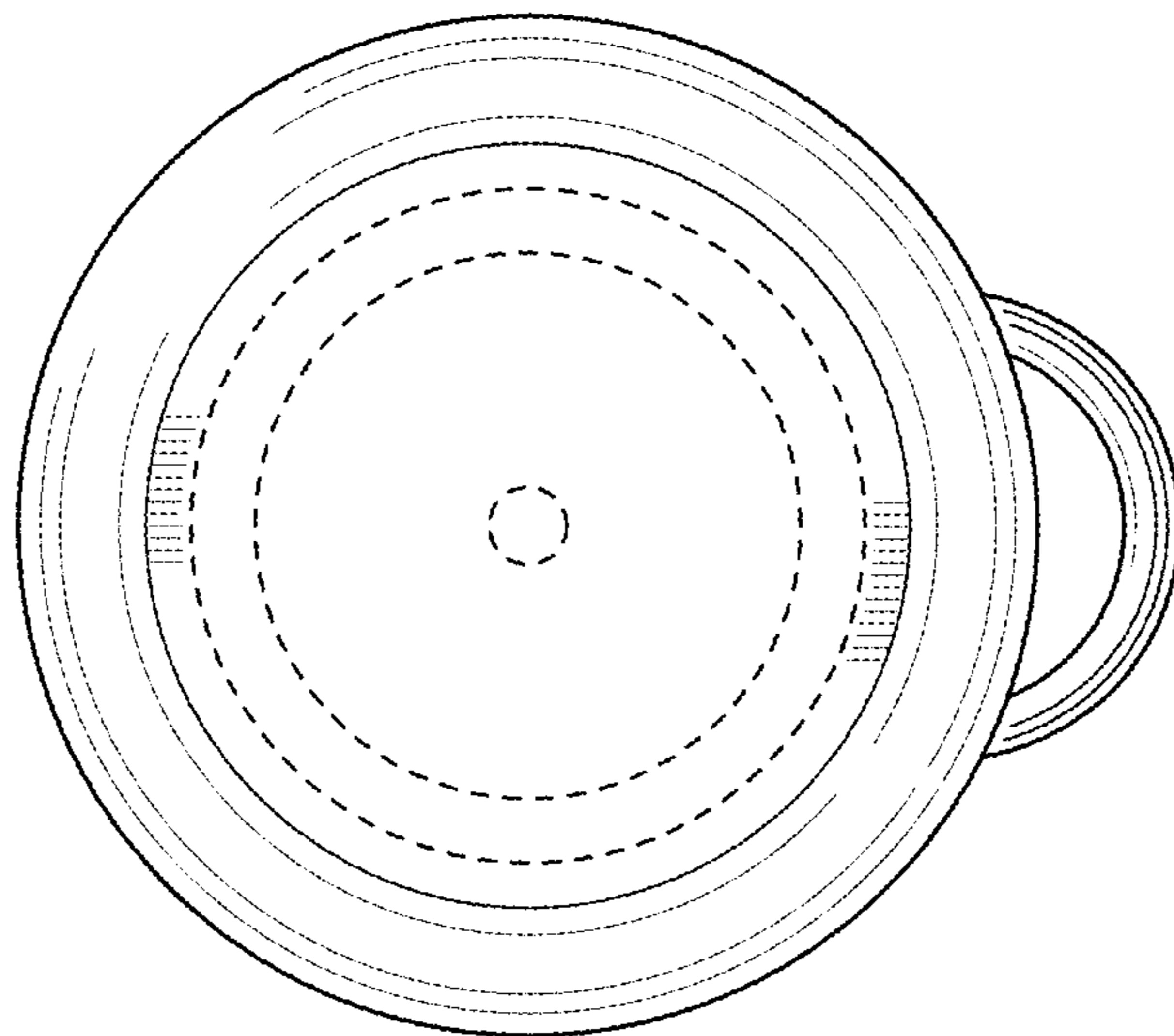


FIG. 8