



US00D790919S

(12) **United States Design Patent** (10) **Patent No.:** **US D790,919 S**
Moser (45) **Date of Patent:** **** Jul. 4, 2017**

(54) **COMBINATION CUP AND DISPENSER**
(71) Applicant: **Caleb Moser**, Shawnee, KS (US)
(72) Inventor: **Caleb Moser**, Shawnee, KS (US)
(*) Notice: This patent is subject to a terminal disclaimer.
(**) Term: **14 Years**
(21) Appl. No.: **29/522,164**
(22) Filed: **Mar. 27, 2015**
(51) **LOC (10) Cl.** **07-01**
(52) **U.S. Cl.**
USPC **D7/507; D7/533**
(58) **Field of Classification Search**
USPC D7/507-520, 523, 532, 533, 534, 535,
D7/536, 300, 310, 300.2, 608, 392.1, 589,
D7/590, 313; 241/38; 220/259.3, 375,
220/495.03, 23, 717, 783, 780, 788, 792;
215/380, 382, 398, 396
CPC A47G 19/2205; A47G 19/2227; A47G
23/03; A47J 41/0083; B60N 3/103
See application file for complete search history.

5,745,565 A * 4/1998 Wakefield B60N 3/103
224/926
D447,915 S * 9/2001 Lefroy-Brooks D7/507
D502,056 S * 2/2005 Bakti D7/507
D568,107 S * 5/2008 Bhavnani D7/509
D580,228 S * 11/2008 Hayden D7/509
D588,856 S * 3/2009 Toth D7/306
D590,662 S * 4/2009 Cheng D7/509
D592,460 S * 5/2009 Long D7/589
D602,741 S * 10/2009 Xiurong D7/507
D612,203 S * 3/2010 Bollin D7/397
D613,558 S * 4/2010 Gold D7/589
D629,256 S * 12/2010 Sellers D7/590
2004/0129714 A1* 7/2004 Thompson A47G 19/2266
220/705

* cited by examiner

Primary Examiner — Marianne Pandozzi
Assistant Examiner — Jae Liang
(74) *Attorney, Agent, or Firm* — Intellectual Property
Center, LLC; Arthur K. Shaffer

(57) **CLAIM**

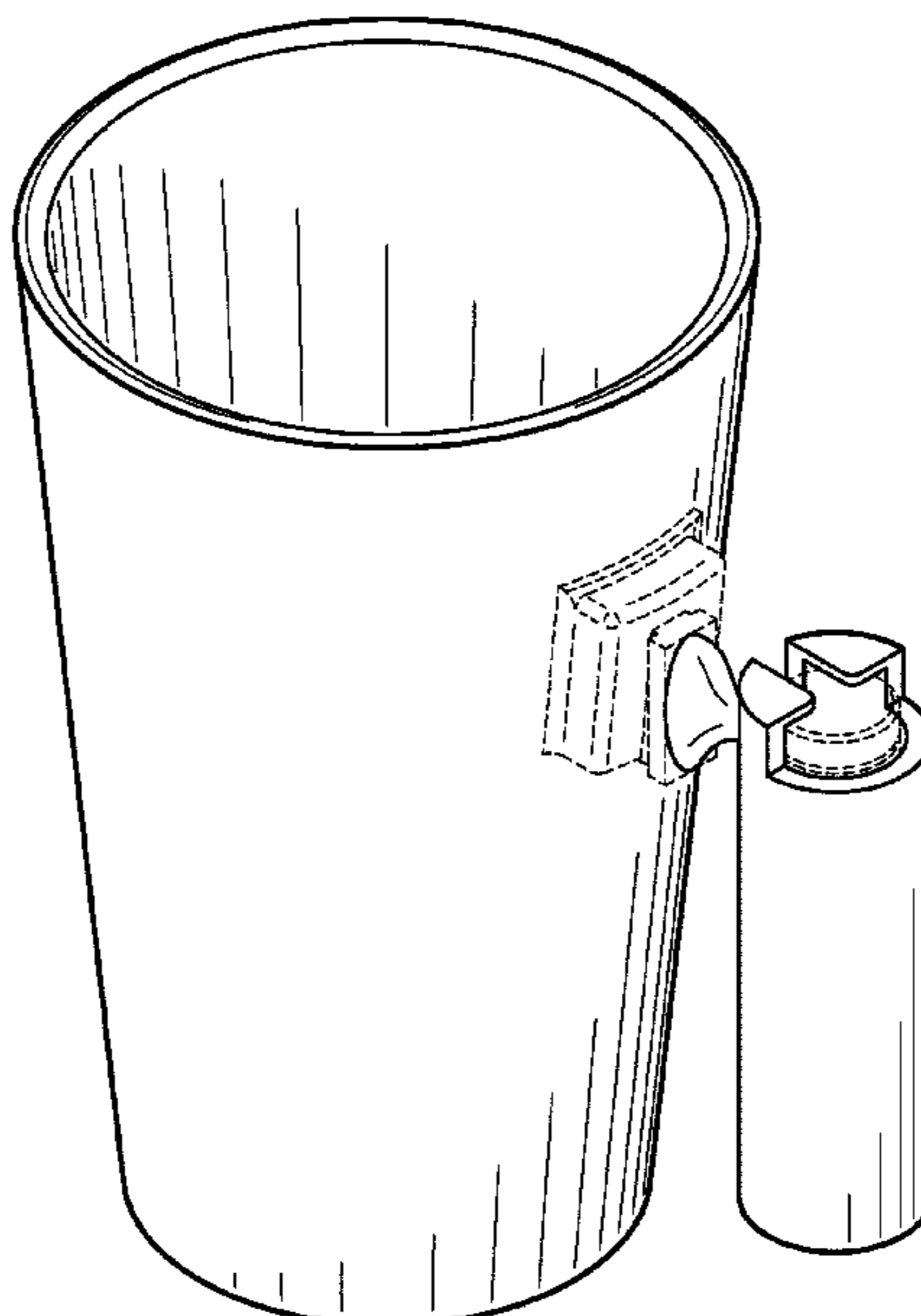
The ornamental design for a combination cup and dispenser,
as shown and described.

DESCRIPTION

FIG. 1 is a left side perspective view of a combination cup and dispenser showing my new design;
FIG. 2 is a left side elevational view thereof;
FIG. 3 is a top plan view thereof;
FIG. 4 is a bottom plan view thereof;
FIG. 5 is a rear elevational view thereof; and,
FIG. 6 is a front elevational view thereof.
The broken lines in the drawing depict portions of the combination cup and dispenser that form no part of the claimed design.

1 Claim, 5 Drawing Sheets

(56) **References Cited**
U.S. PATENT DOCUMENTS
D177,575 S * 5/1956 Louik D7/511
D188,631 S * 8/1960 Gorenflo D7/589
D270,028 S * 8/1983 Vernin D27/154
D283,772 S * 5/1986 Vail D14/187
D300,195 S * 3/1989 Pitzer D7/533
D305,966 S * 2/1990 DeMars D7/509
4,961,521 A * 10/1990 Eckman A47G 19/24
128/203.15
5,465,871 A * 11/1995 Robbins, III B65D 47/0814
222/142.5



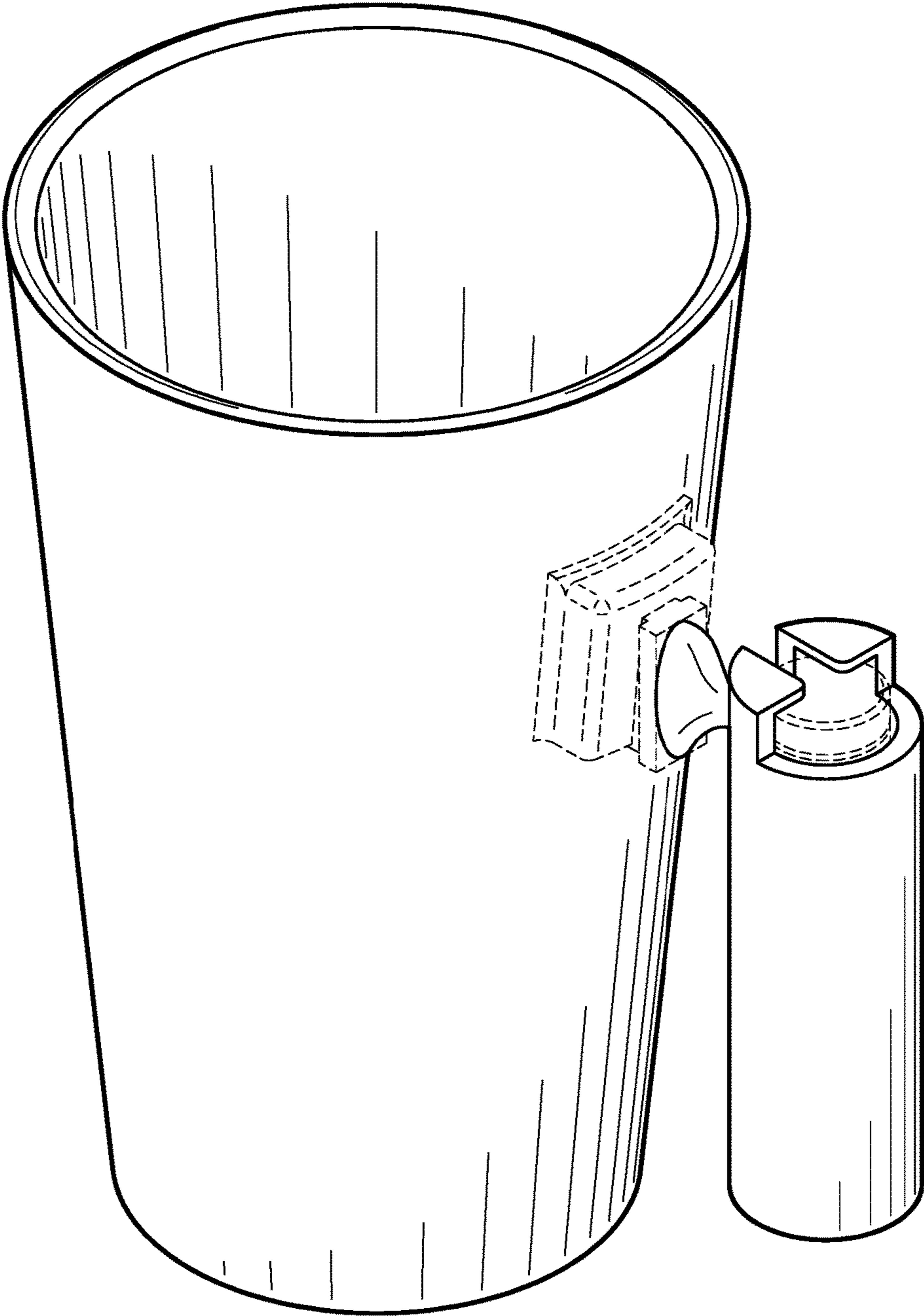


Fig. 1

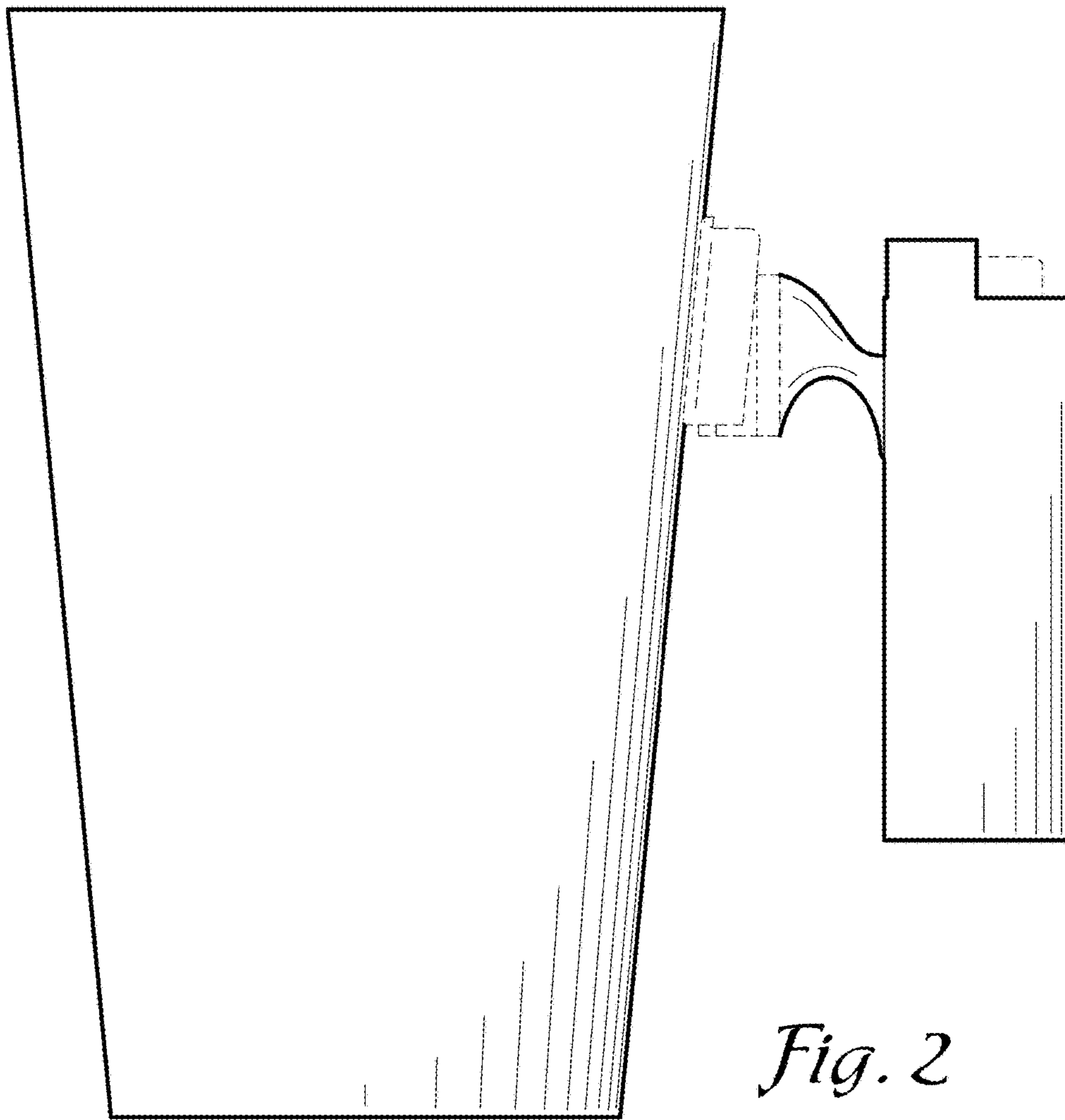


Fig. 2

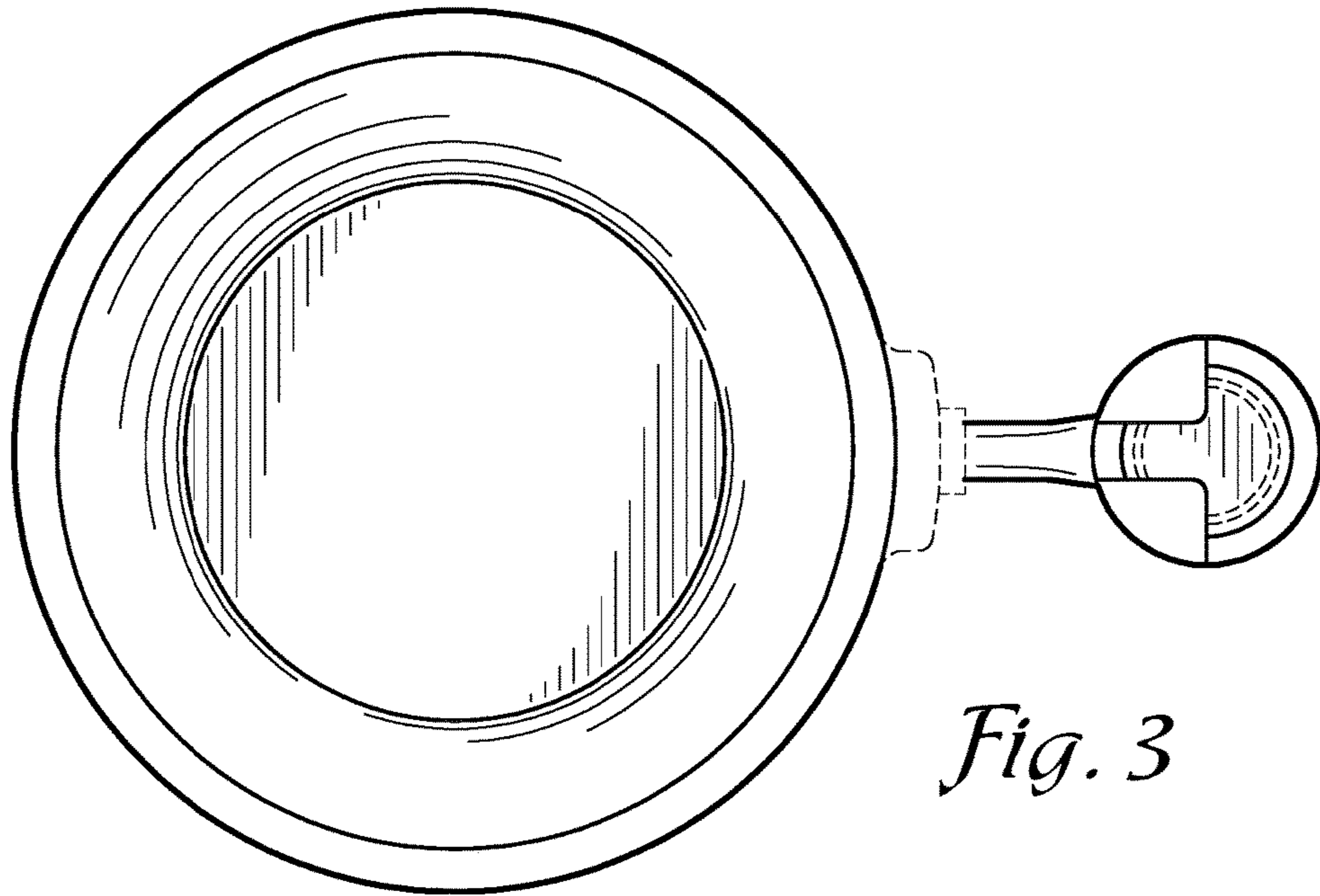


Fig. 3

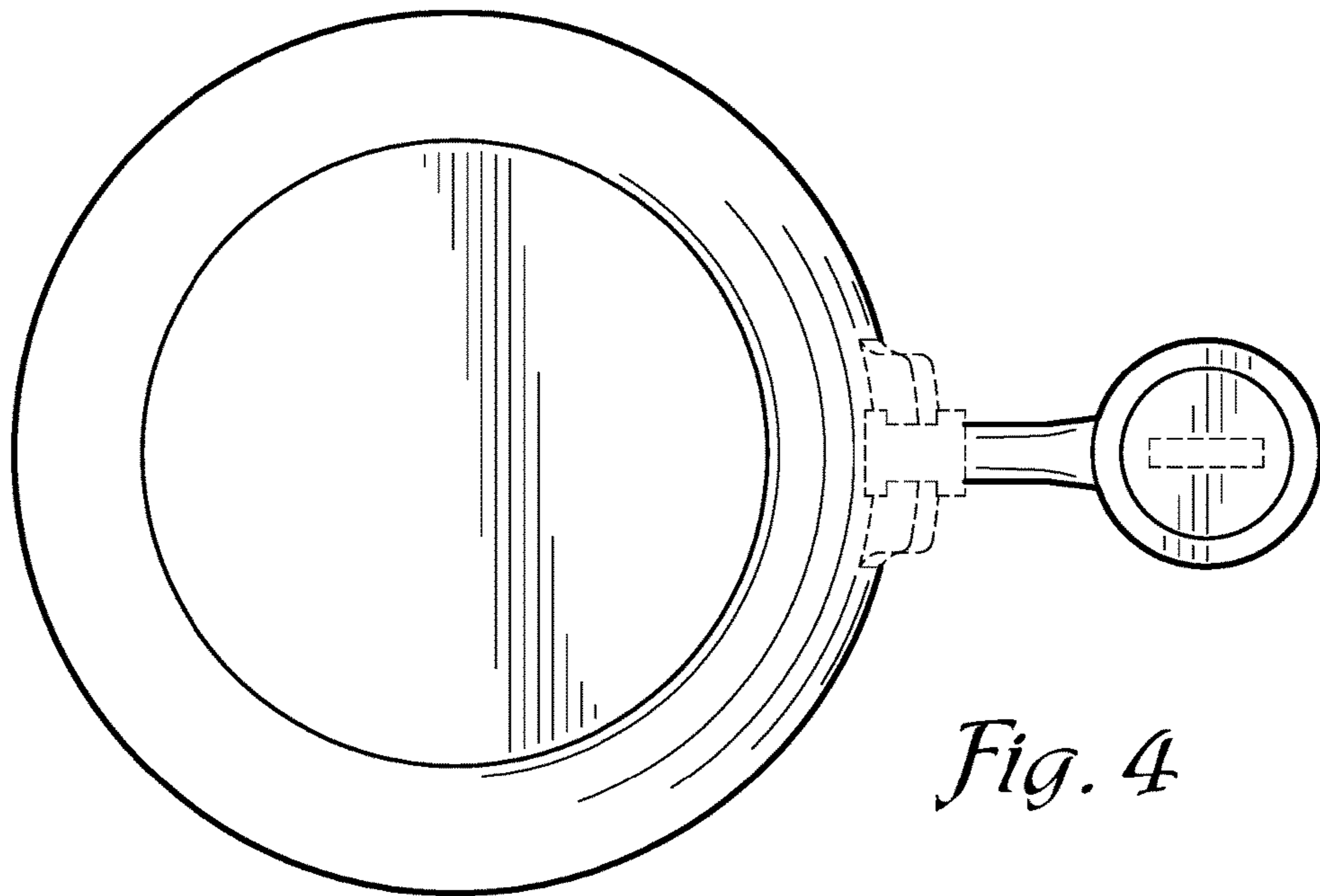


Fig. 4

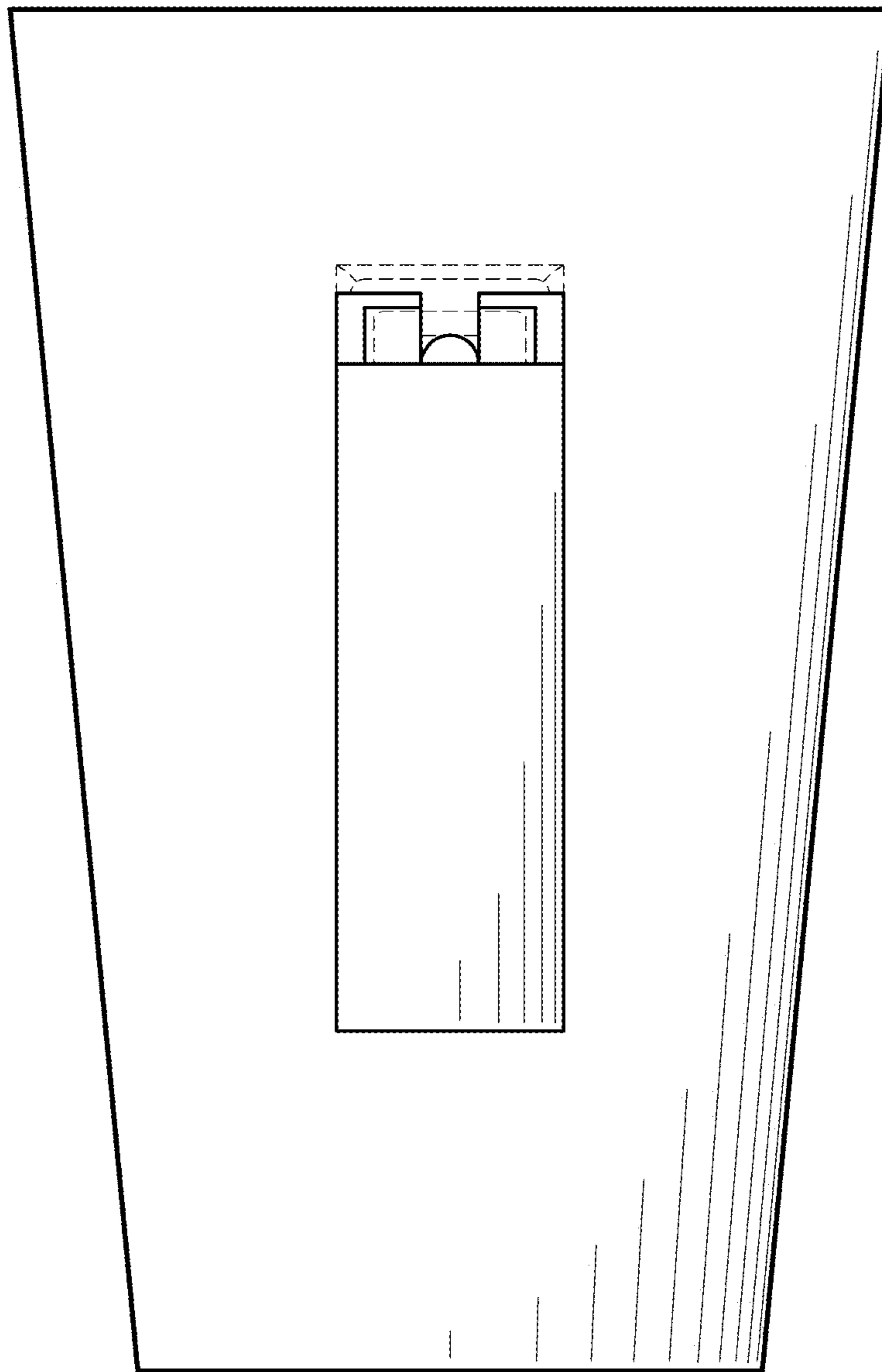


Fig. 5

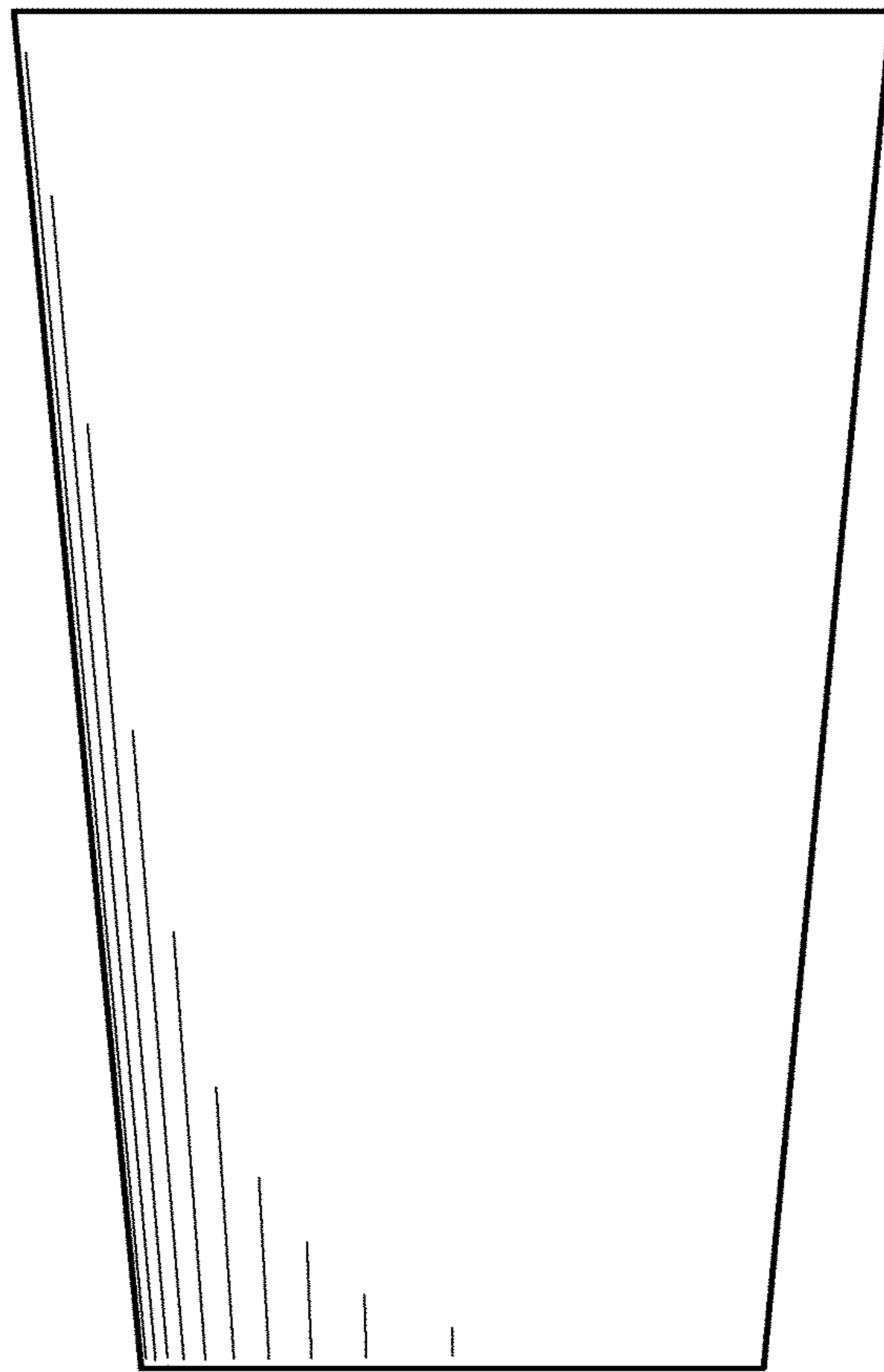


Fig. 6