



US00D790918S

(12) **United States Design Patent** (10) **Patent No.:** **US D790,918 S**  
**Benoit et al.** (45) **Date of Patent:** **\*\* Jul. 4, 2017**

(54) **FOOD PROCESSING ATTACHMENT**

2,759,830 A 8/1956 Touceda  
3,268,342 A 8/1966 Yatuni  
3,440,150 A 4/1969 Kramer et al.  
(Continued)

(71) Applicant: **Whirlpool Corporation**, Benton Harbor, MI (US)

(72) Inventors: **Kaitlyn M. Benoit**, St. Joseph, MI (US); **John W. McConnell**, St. Joseph, MI (US)

**FOREIGN PATENT DOCUMENTS**

EP 0405636 B1 9/1993  
EP 1230857 A1 8/2002  
(Continued)

(73) Assignee: **Whirlpool Corporation**, Benton Harbor, MI (US)

**OTHER PUBLICATIONS**

(\*\*) Term: **15 Years**

“Fulfilling Finishing Needs in the Auto Industry”; Electro Polish; Black Oxide, Aluminum Anodizing, Passivation; Dayton, Ohio; pp. 1-3; 2013.  
(Continued)

(21) Appl. No.: **29/534,123**

(22) Filed: **Jul. 27, 2015**

(51) **LOC (10) Cl.** ..... **07-02**

(52) **U.S. Cl.**  
USPC ..... **D7/412; D7/372; D7/384**

*Primary Examiner* — Ricky Pham

(74) *Attorney, Agent, or Firm* — Price Heneveld LLP

(58) **Field of Classification Search**  
USPC ..... D7/372, 376–386, 412–413, 602, 629, D7/665–666, 669, 678–679, 693–694; D8/34

(57) **CLAIM**

The ornamental design for a food processing attachment, as shown and described.

CPC .... A21C 1/02; A21C 1/04; A23N 1/00; A23N 1/02; A47J 43/04; A47J 43/25; A47J 43/27; A47J 43/255; A47J 43/042; A47J 43/044; A47J 43/046; A47J 43/075; A47J 43/0722; A47J 43/0727; B01F 3/00; B01F 3/0807; B01F 3/0853; B01F 13/0059; B01F 13/0064; B02C 1/08; B02C 2/04; B02C 4/42; B02C 4/142; B02C 4/143; B02C 4/423; B02C 13/1835; B02C 18/305; B28C 5/10; B28C 5/12; B28C 5/14; B28C 5/16

**DESCRIPTION**

FIG. 1 is a top-front perspective view of a food processing attachment according to our design;  
FIG. 2 is a bottom-back perspective view thereof;  
FIG. 3 is a front view thereof;  
FIG. 4 is a back view thereof;  
FIG. 5 is a right side view thereof;  
FIG. 6 is a left side view thereof;  
FIG. 7 is a top view thereof; and,  
FIG. 8 is a bottom view thereof.  
Broken lines are used to show features that are environmental only and form no part of the claimed design.  
Dash-dot lines adjacent un-shaded areas represent bounds of the claimed design and form no part of the claimed design themselves.

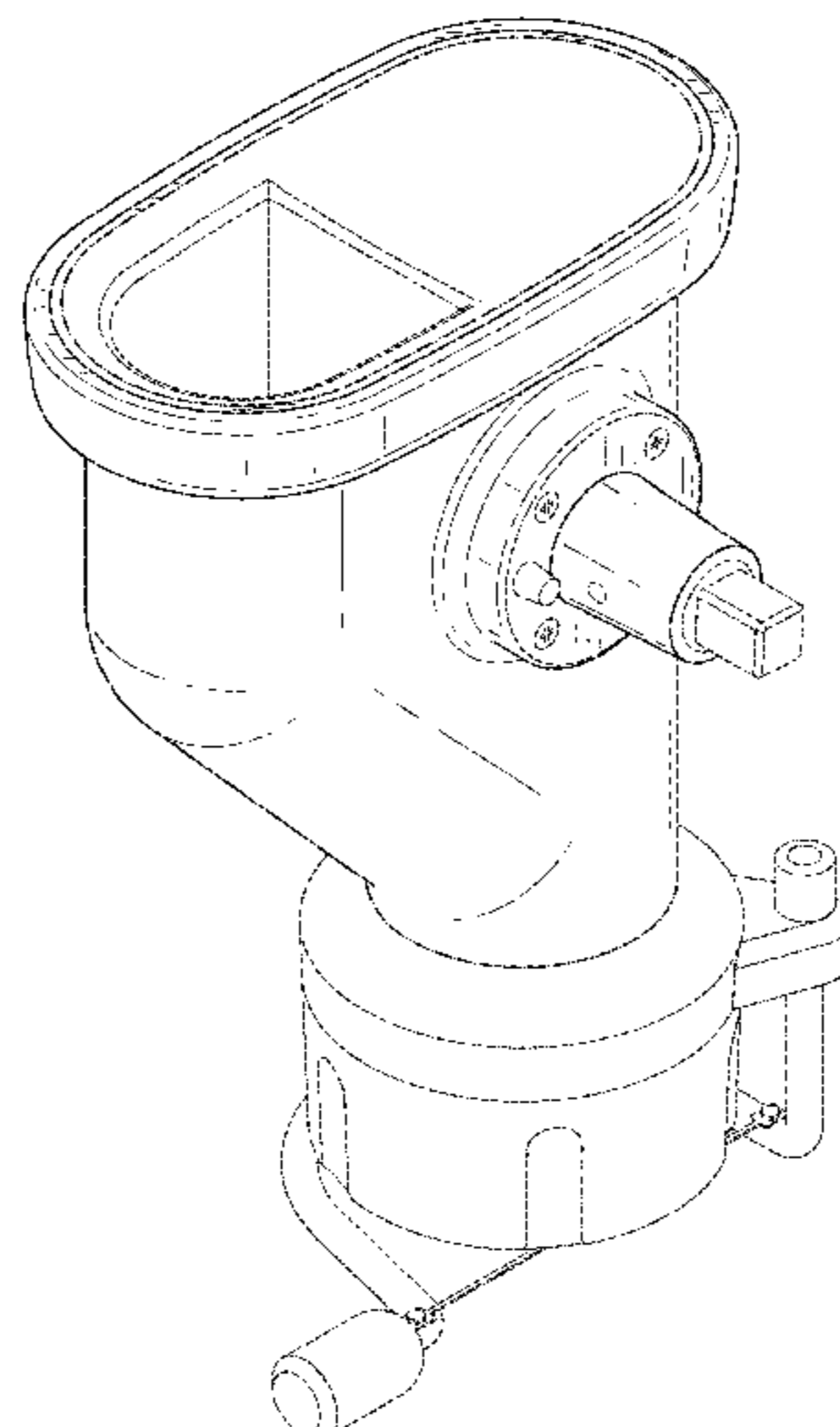
See application file for complete search history.

(56) **References Cited**

**U.S. PATENT DOCUMENTS**

2,125,859 A 8/1938 Liebelt  
2,600,281 A 6/1952 Sticelber  
2,699,737 A 1/1955 Sticelber

**1 Claim, 7 Drawing Sheets**



(56)

References Cited

U.S. PATENT DOCUMENTS

3,838,023 A 9/1974 Friedemann et al.  
 3,883,283 A 5/1975 Herrera  
 D236,425 S \* 8/1975 McCue ..... D7/383  
 3,956,517 A 5/1976 Curry et al.  
 4,083,756 A 4/1978 Tajkowski  
 D260,351 S \* 8/1981 Shun ..... D7/372  
 4,332,539 A 6/1982 Zani  
 4,348,166 A 9/1982 Fowler  
 4,390,133 A \* 6/1983 Wanat ..... A47J 43/255  
 241/285.2  
 D276,202 S \* 11/1984 Shun ..... D7/383  
 4,569,851 A 2/1986 Schultz  
 4,770,619 A 9/1988 Rijkaart  
 D300,400 S \* 3/1989 Kelly ..... D7/381  
 5,091,046 A 2/1992 Hunter et al.  
 5,460,506 A 10/1995 Price, IV et al.  
 5,470,599 A 11/1995 Ruhe  
 5,486,100 A 1/1996 Hsu  
 5,770,239 A 6/1998 Ancona  
 5,786,016 A 7/1998 Campbell et al.  
 5,919,493 A 7/1999 Sheppard et al.  
 5,935,656 A 8/1999 Koerner et al.  
 6,024,554 A 2/2000 Lawrence  
 6,148,169 A 11/2000 Tsukamoto  
 6,163,095 A 12/2000 Shams et al.  
 6,270,826 B1 8/2001 Kashulines, Jr. et al.  
 6,297,479 B1 10/2001 Wefers  
 6,442,866 B2 9/2002 Wefers  
 D484,738 S \* 1/2004 Wong ..... D7/372  
 6,698,338 B2 3/2004 Ancona et al.  
 6,743,007 B2 6/2004 Backus et al.  
 D495,921 S \* 9/2004 Lallemand ..... D7/372

6,948,609 B2 9/2005 Finger et al.  
 7,029,714 B2 4/2006 Mihalos et al.  
 7,083,040 B2 8/2006 Finger et al.  
 D531,850 S \* 11/2006 Wong ..... D7/372  
 7,169,450 B2 1/2007 Bunick  
 7,207,510 B2 \* 4/2007 Wong ..... B02C 18/305  
 241/82.1  
 7,238,017 B2 7/2007 Marcato  
 D551,493 S 9/2007 Marcato  
 D553,427 S \* 10/2007 Ball ..... D7/384  
 7,887,314 B2 2/2011 Ruhe et al.  
 8,162,653 B2 4/2012 Marcato  
 D677,975 S \* 3/2013 Jin ..... D7/372  
 D683,577 S \* 6/2013 Cohen ..... D7/372  
 D715,094 S \* 10/2014 Cornu ..... D7/372  
 2001/0019778 A1 9/2001 Gardaz et al.  
 2001/0028909 A1 10/2001 Kashulines, Jr. et al.  
 2002/0006464 A1 1/2002 Wefers  
 2010/0196529 A1 8/2010 Marcato

FOREIGN PATENT DOCUMENTS

FI 943990 A 8/1994  
 JP 6211066 A 1/1987  
 JP 2010029103 A 2/2010  
 WO 9415511 A1 7/1994  
 WO 2009016465 A2 2/2009  
 WO 2009141699 A2 11/2009

OTHER PUBLICATIONS

Charles A. Grubbs; "Anodizing of Aluminum"; Consultant, Alpharetta, GA.; pp. 478-493; date unknown.

\* cited by examiner

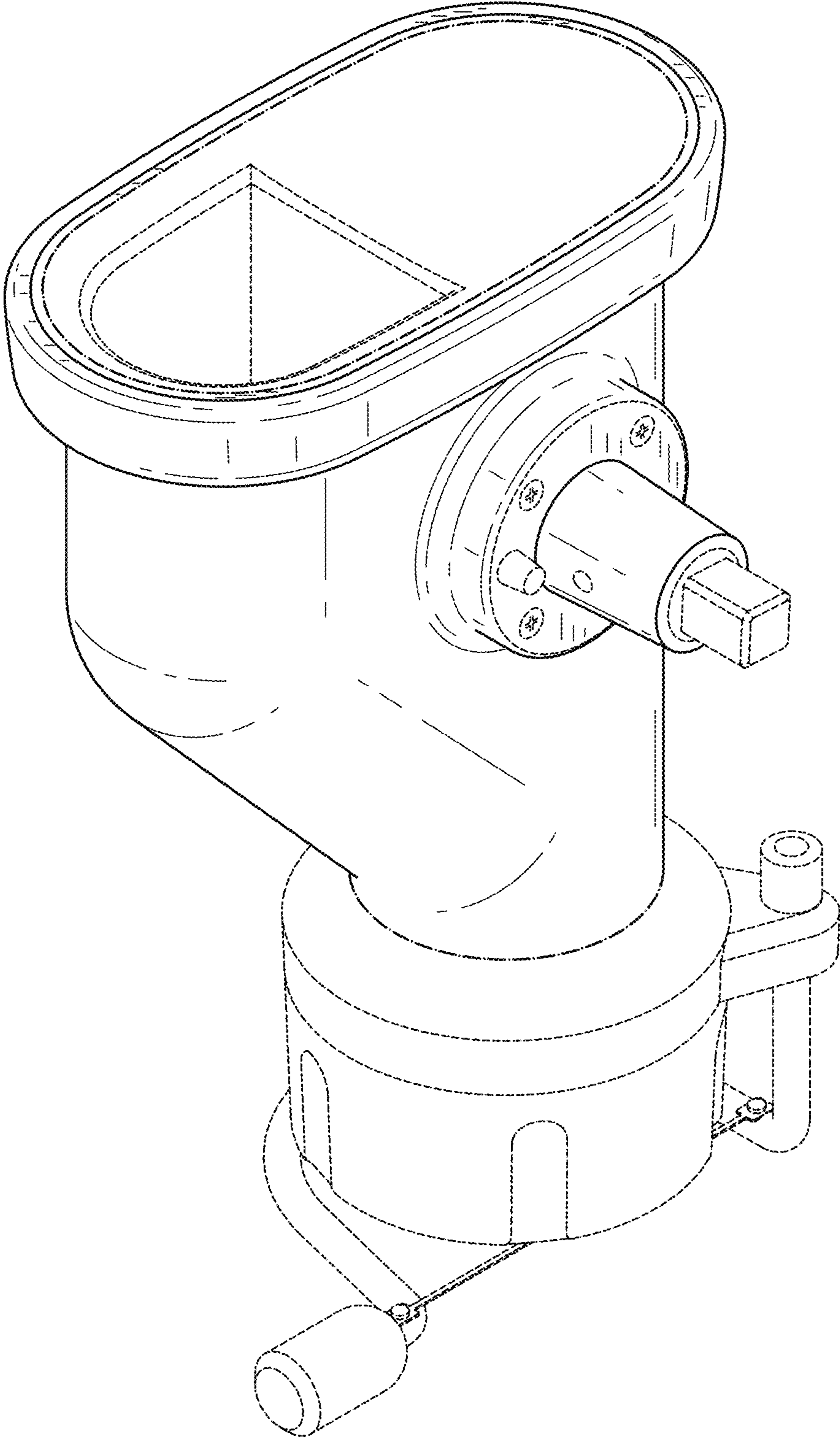


FIG. 1

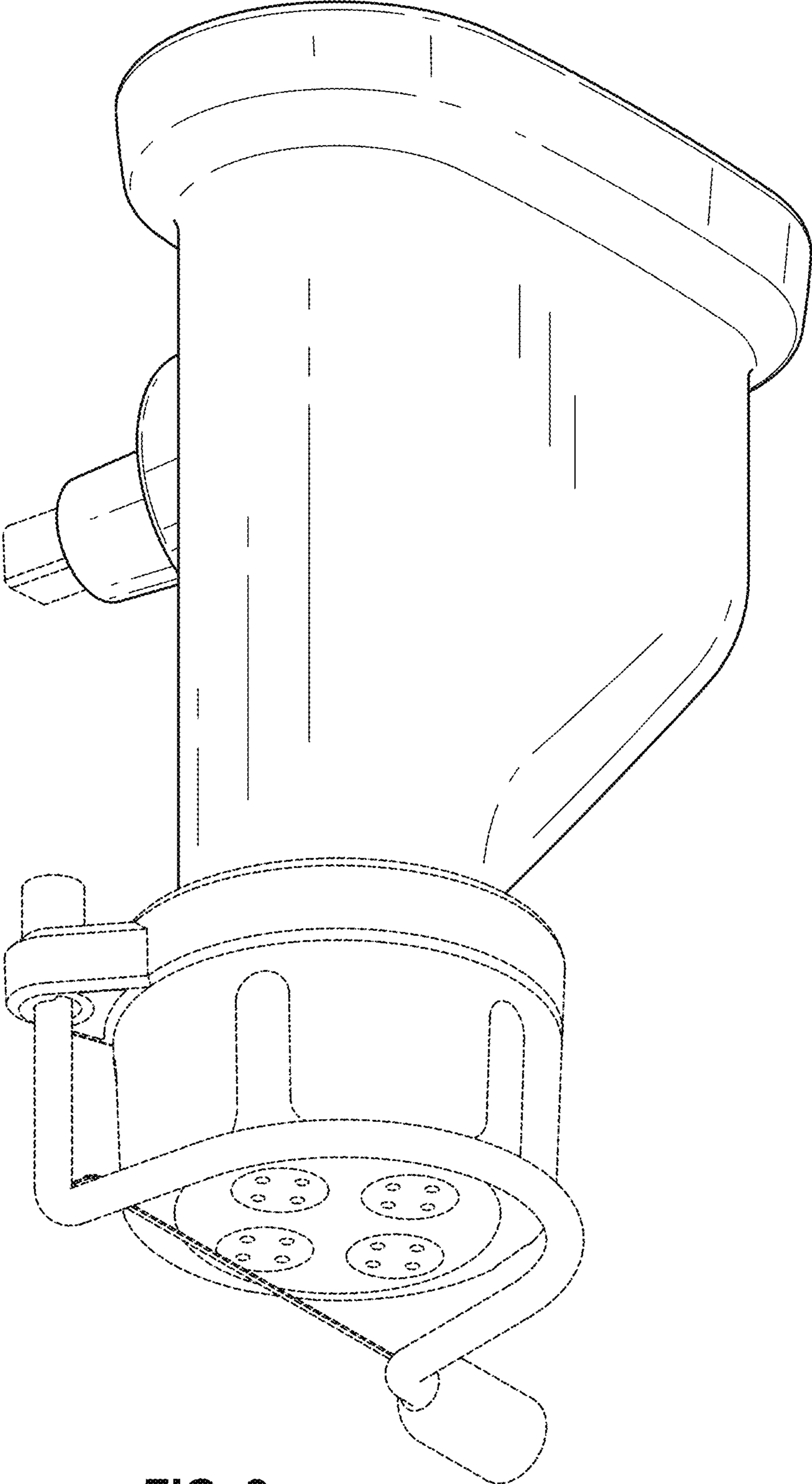


FIG. 2

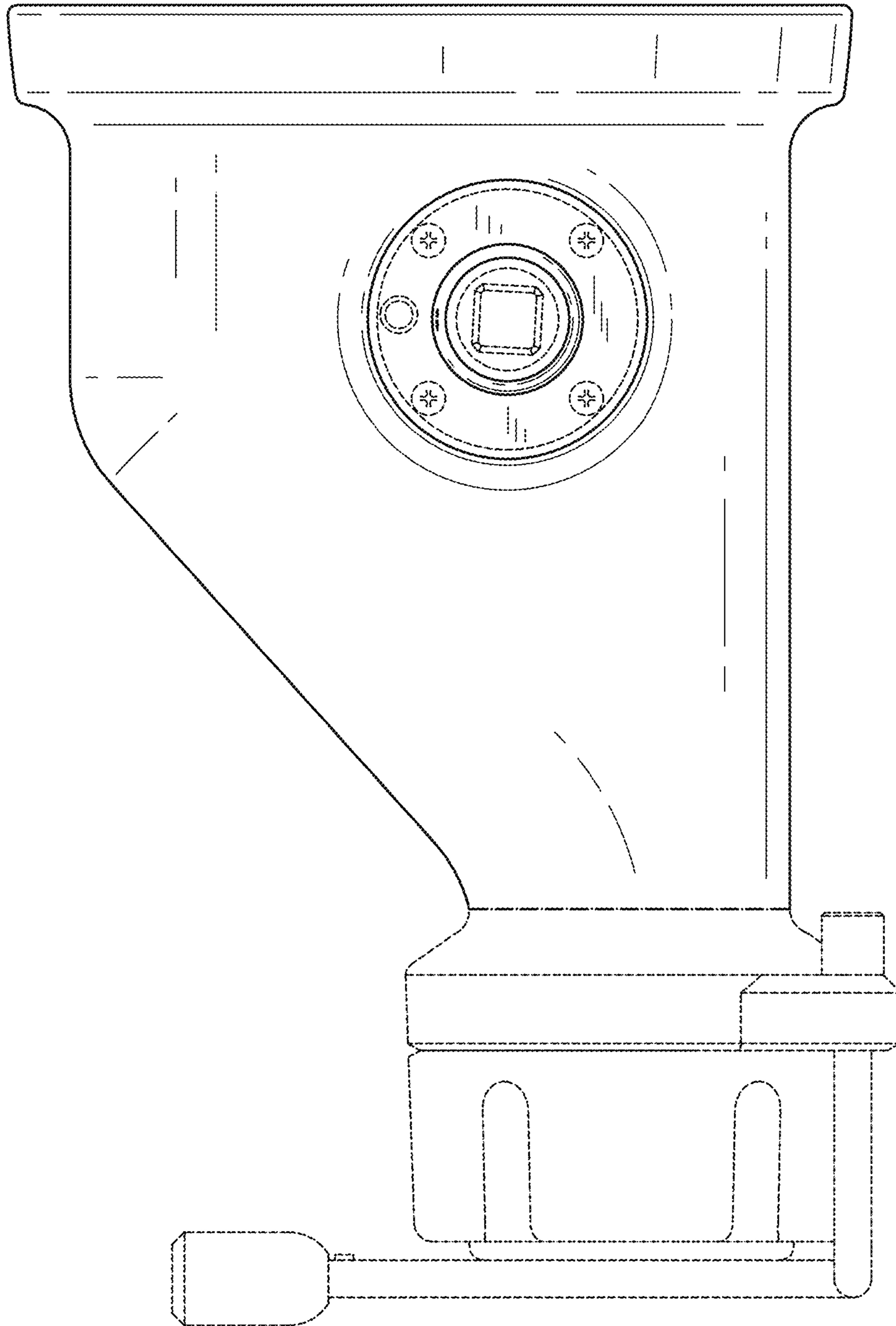


FIG. 3

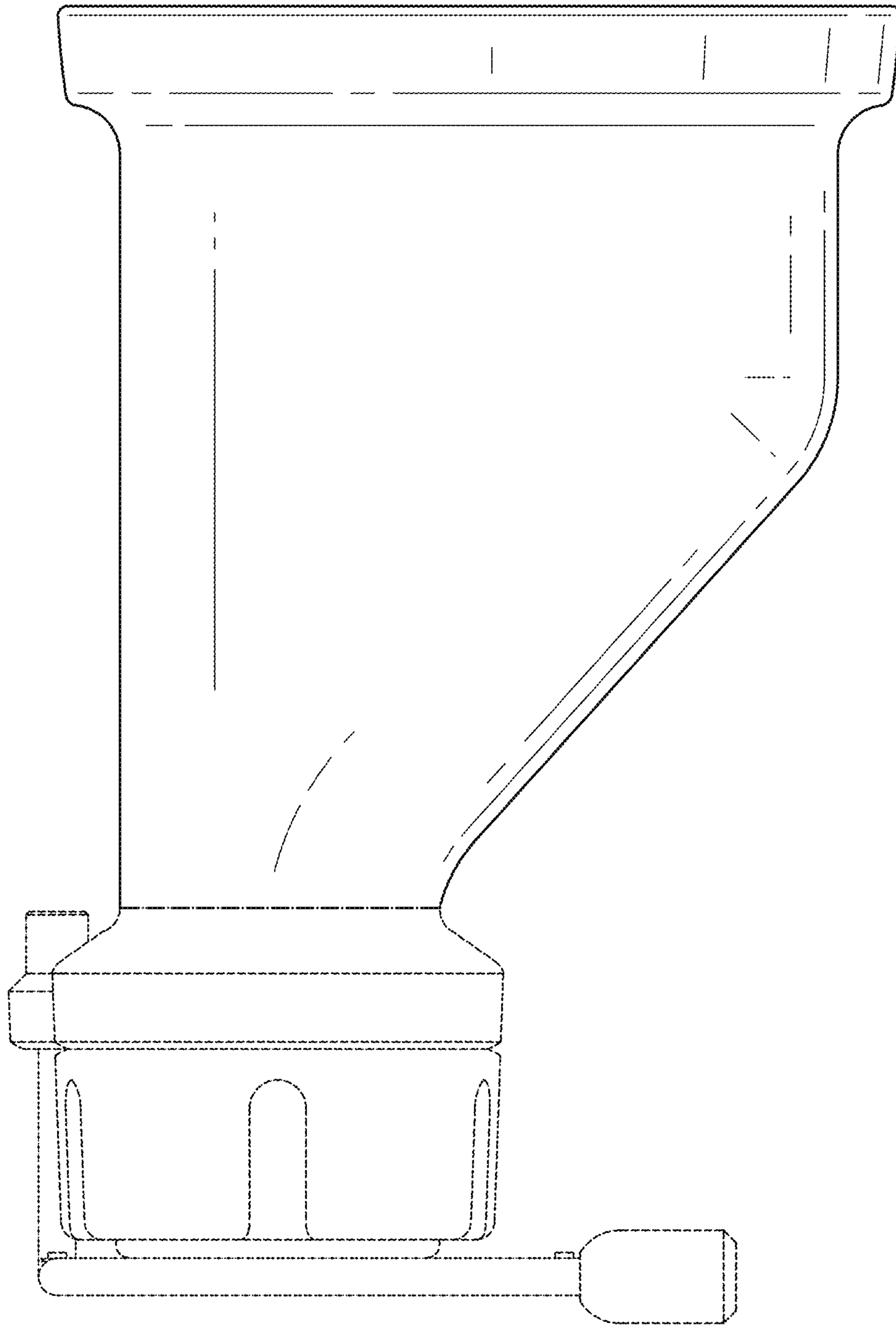


FIG. 4

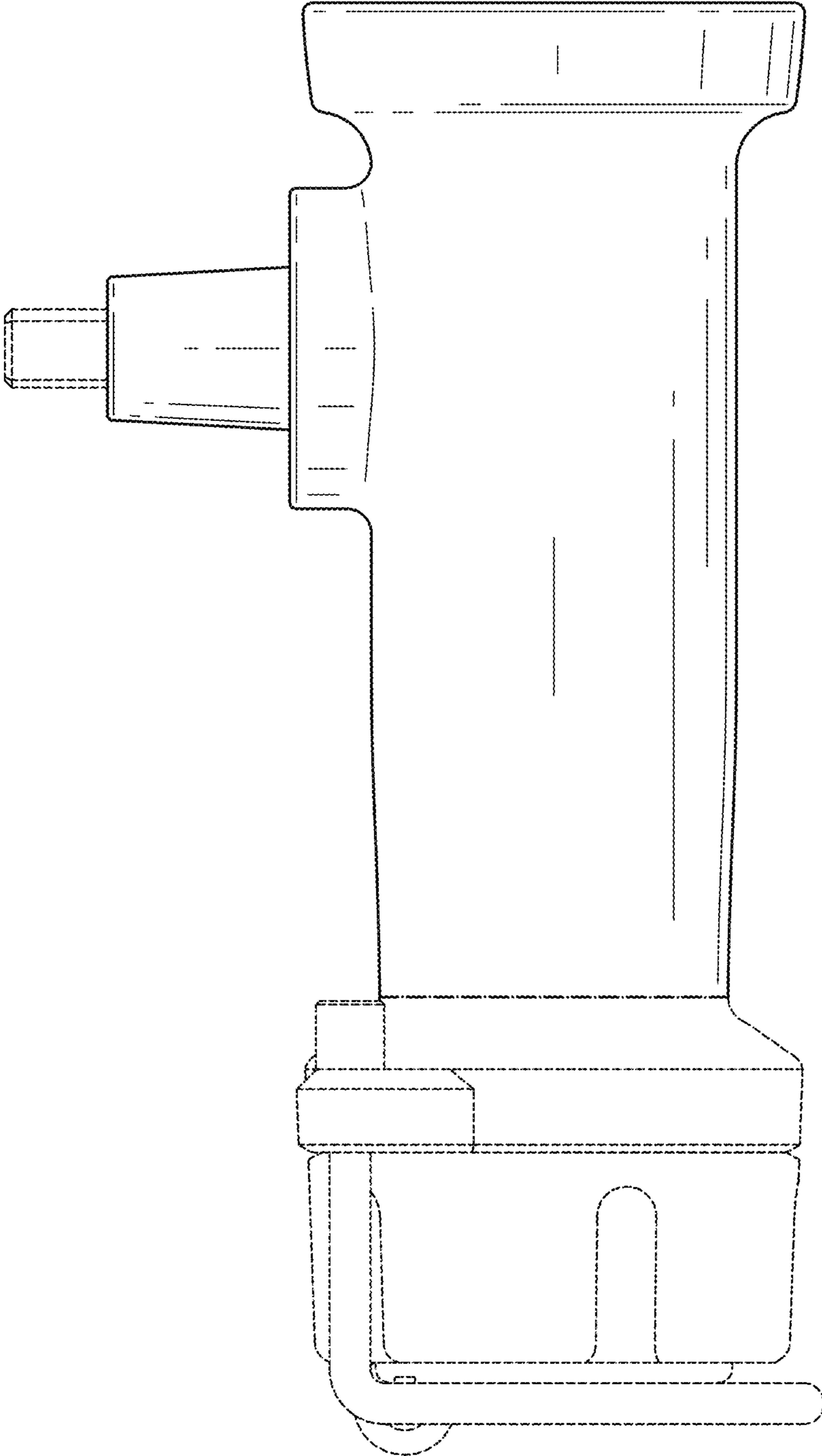


FIG. 5

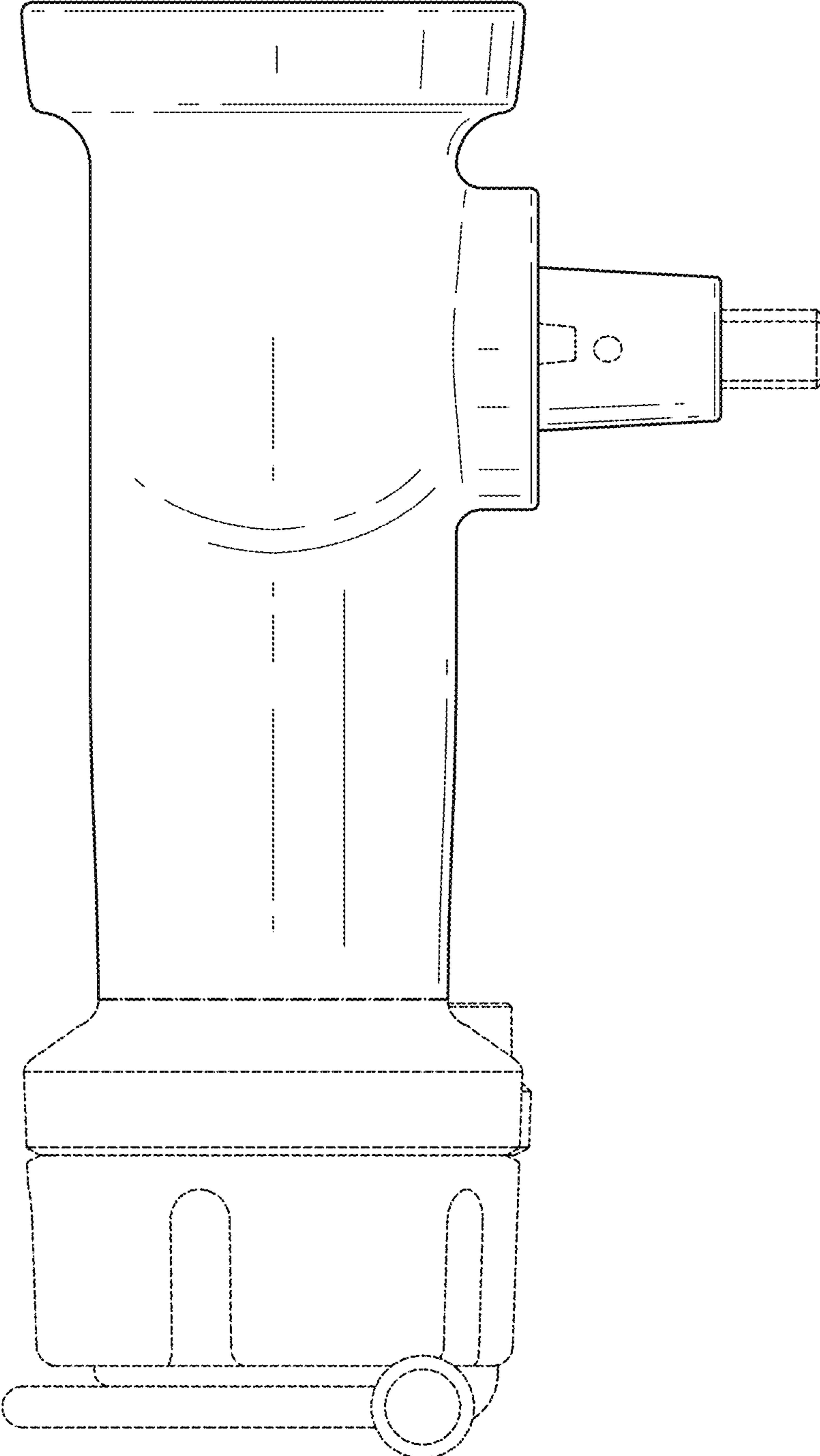


FIG. 6



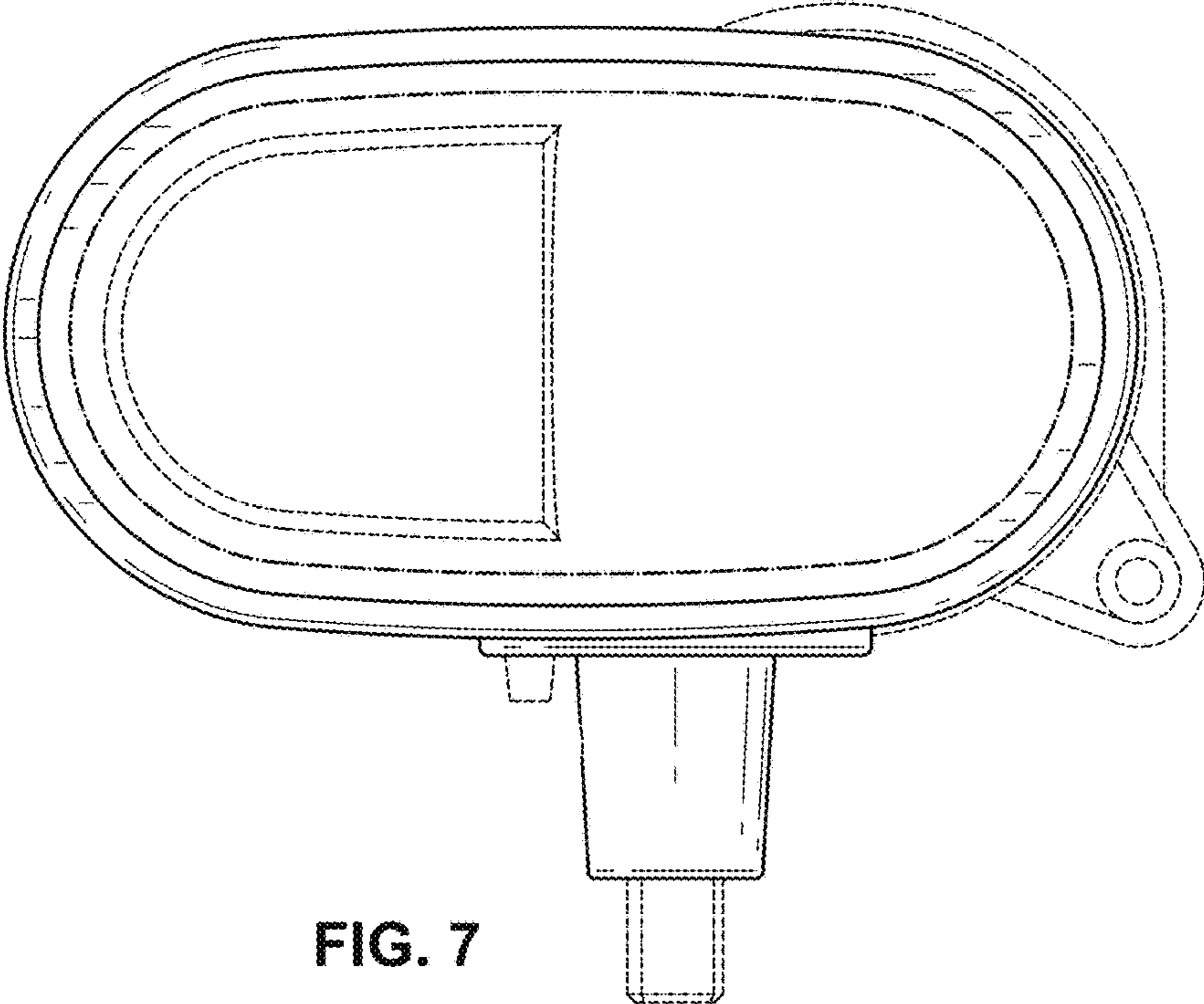


FIG. 7

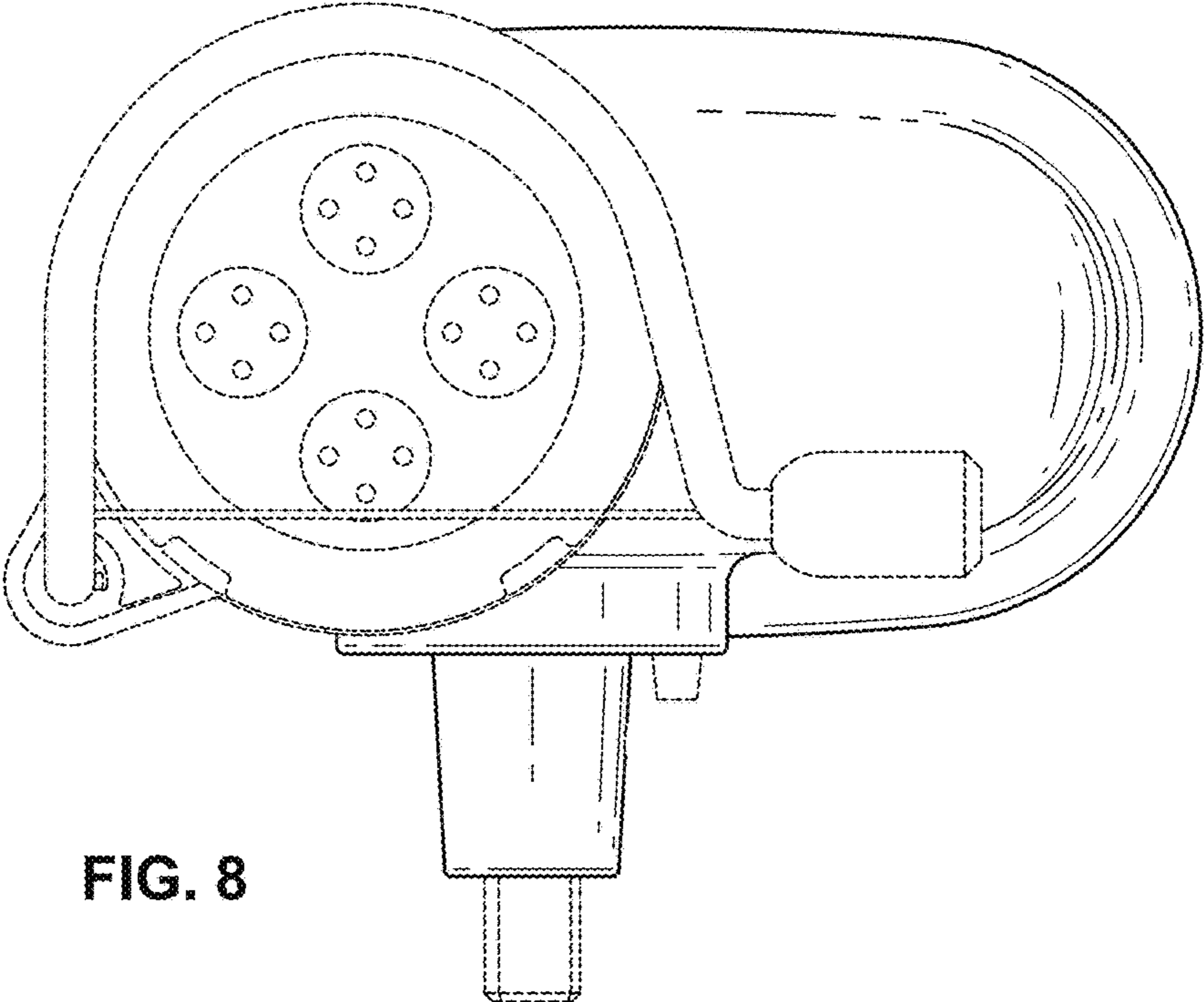


FIG. 8