



US00D790917S

(12) **United States Design Patent** (10) **Patent No.:** **US D790,917 S**
Benoit et al. (45) **Date of Patent:** **** Jul. 4, 2017**

(54) **FOOD PROCESSING ATTACHMENT**
(71) Applicant: **Whirlpool Corporation**, Benton Harbor, MI (US)
(72) Inventors: **Kaitlyn M. Benoit**, St. Joseph, MI (US); **John W. McConnell**, St. Joseph, MI (US)
(73) Assignee: **Whirlpool Corporation**, Benton Harbor, MI (US)

3,268,342 A 8/1966 Yatuni
3,440,150 A 4/1969 Kramer et al.
3,838,023 A 9/1974 Friedemann et al.
3,883,283 A 5/1975 Herrera
3,956,517 A 5/1976 Curry et al.
4,083,756 A 4/1978 Tajkowski
(Continued)

(**) Term: **15 Years**

FOREIGN PATENT DOCUMENTS

EP 0405636 B1 9/1993
EP 1230857 A1 8/2002
(Continued)

(21) Appl. No.: **29/534,120**

OTHER PUBLICATIONS

“Fulfilling Finishing Needs in the Auto Industry”; Electro Polish; Black Oxide, Aluminum Anodizing, Passivation; Dayton, Ohio; pp. 1-3; 2013.

(22) Filed: **Jul. 27, 2015**

(51) **LOC (10) Cl.** **07-02**

(52) **U.S. Cl.**
USPC **D7/412**; D7/376; D7/384

(58) **Field of Classification Search**
USPC D7/372, 376-386, 412-413, 602, 629, D7/665-666, 669, 679, 693-694
CPC A21C 1/02; A21C 1/04; A23N 1/00; A23N 1/02; A47J 43/04; A47J 43/25; A47J 43/27; A47J 43/042; A47J 43/044; A47J 43/046; A47J 43/075; A47J 43/0722; A47J 43/0727; B01F 3/00; B01F 3/0807; B01F 3/0853; B01F 13/0059; B01F 13/0064; B02C 1/08; B02C 2/04; B02C 4/42; B02C 4/142; B02C 4/143; B02C 4/423; B02C 13/1835; B28C 5/10; B28C 5/12; B28C 5/14; B28C 5/16
See application file for complete search history.

(Continued)

Primary Examiner — Ricky Pham
(74) *Attorney, Agent, or Firm* — Price Heneveld LLP

(57) **CLAIM**

The ornamental design for a food processing attachment, as shown and described.

DESCRIPTION

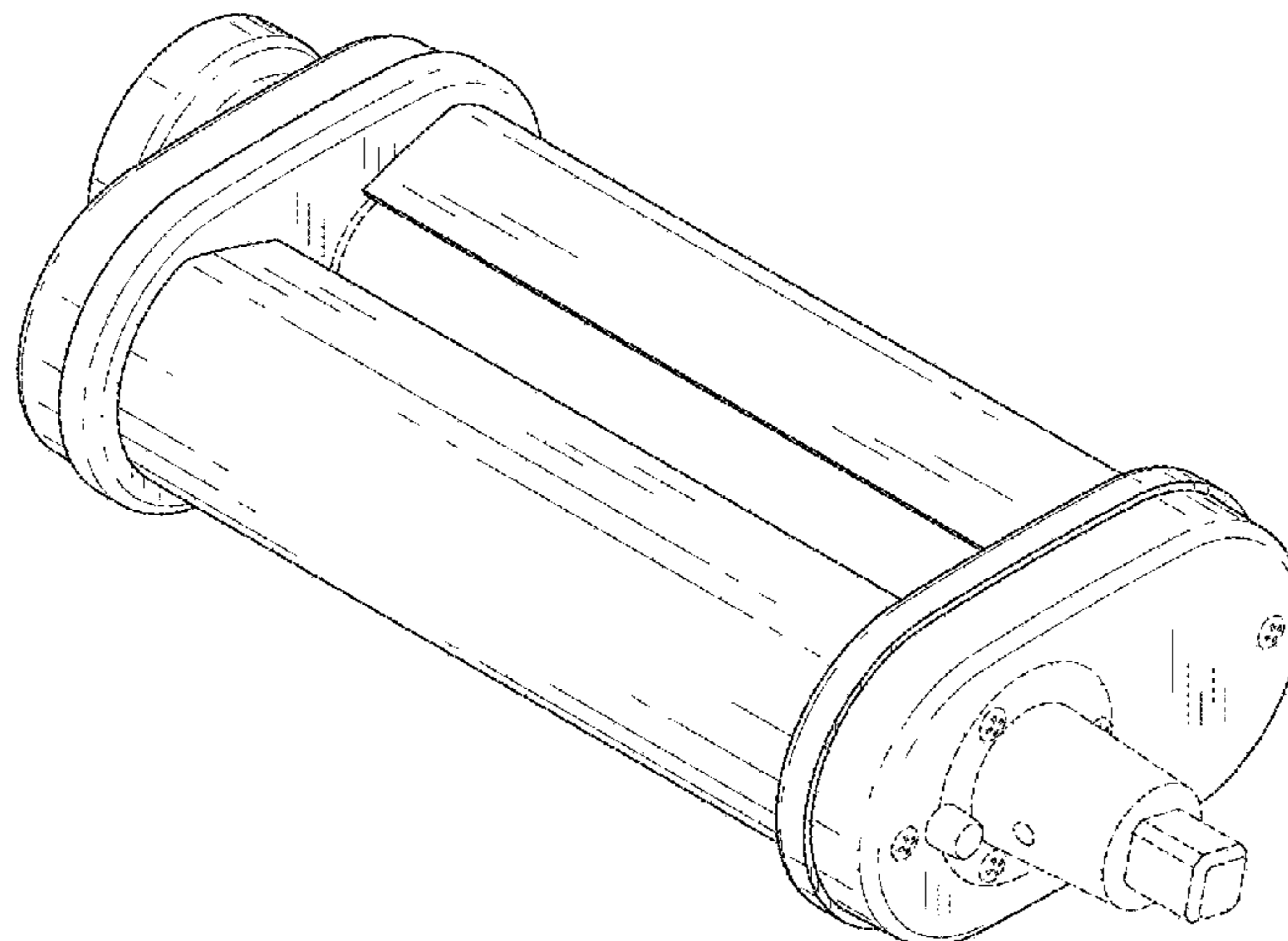
FIG. 1 is a top-front perspective view of a food processing attachment according our design;
FIG. 2 is a bottom-back perspective view thereof;
FIG. 3 is a back view thereof;
FIG. 4 is a front view thereof;
FIG. 5 is a right side view thereof;
FIG. 6 is a left side view thereof;
FIG. 7 is a top view thereof; and,
FIG. 8 is a bottom view thereof.
Broken lines are used to show features that are environmental only and form no part of the claimed design.

(56) **References Cited**

U.S. PATENT DOCUMENTS

2,125,859 A 8/1938 Liebelt
2,600,281 A 6/1952 Sticelber
2,699,737 A 1/1955 Sticelber
2,759,830 A 8/1956 Touceda
D192,704 S * 5/1962 Giunta D7/383

1 Claim, 6 Drawing Sheets



(56)

References Cited

U.S. PATENT DOCUMENTS

4,332,539 A 6/1982 Zani
 4,348,166 A 9/1982 Fowler
 4,569,851 A 2/1986 Schultz
 4,770,619 A 9/1988 Rijkaart
 5,091,046 A 2/1992 Hunter et al.
 5,460,506 A 10/1995 Price, IV et al.
 5,470,599 A 11/1995 Ruhe
 5,486,100 A 1/1996 Hsu
 D370,383 S * 6/1996 Brefka D7/376
 5,770,239 A 6/1998 Ancona
 5,786,016 A 7/1998 Campbell et al.
 5,919,493 A 7/1999 Sheppard et al.
 5,935,656 A 8/1999 Koerner et al.
 6,024,554 A 2/2000 Lawrence
 6,148,169 A 11/2000 Tsukamoto
 6,163,095 A 12/2000 Shams et al.
 D444,669 S * 7/2001 Prot D7/376
 6,270,826 B1 8/2001 Kashulines, Jr. et al.
 6,297,479 B1 10/2001 Wefers
 6,442,866 B2 9/2002 Wefers
 6,698,338 B2 3/2004 Ancona et al.
 6,743,007 B2 6/2004 Backus et al.
 6,948,609 B2 9/2005 Finger et al.
 7,029,714 B2 4/2006 Mihalos et al.

7,083,040 B2 8/2006 Finger et al.
 7,169,450 B2 1/2007 Bunick
 7,238,017 B2 7/2007 Marcato
 D551,493 S 9/2007 Marcato
 7,887,314 B2 2/2011 Ruhe et al.
 8,162,653 B2 4/2012 Marcato
 2001/0019778 A1 9/2001 Gardaz et al.
 2001/0028909 A1 10/2001 Kashulines, Jr. et al.
 2002/0006464 A1 1/2002 Wefers
 2010/0196529 A1 8/2010 Marcato

FOREIGN PATENT DOCUMENTS

FI 943990 A 8/1994
 JP 6211066 A 1/1987
 JP 2010029103 A 2/2010
 WO 9415511 A1 7/1994
 WO 2009016465 A2 2/2009
 WO 2009141699 A2 11/2009

OTHER PUBLICATIONS

Charles A. Grubbs; "Anodizing of Aluminum"; Consultant, Alpharetta, GA.; pp. 478-493; date unknown.

* cited by examiner

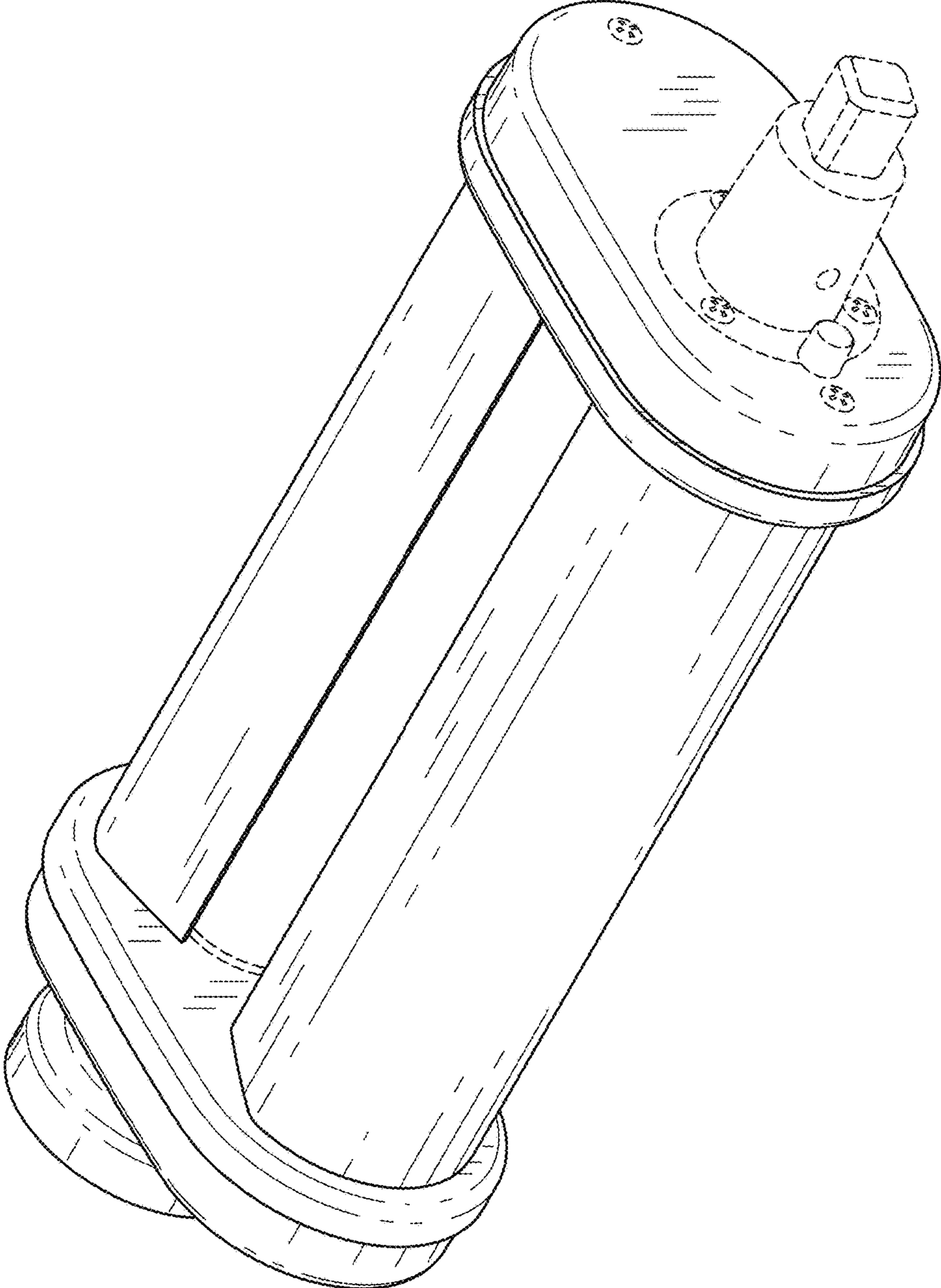


FIG. 1

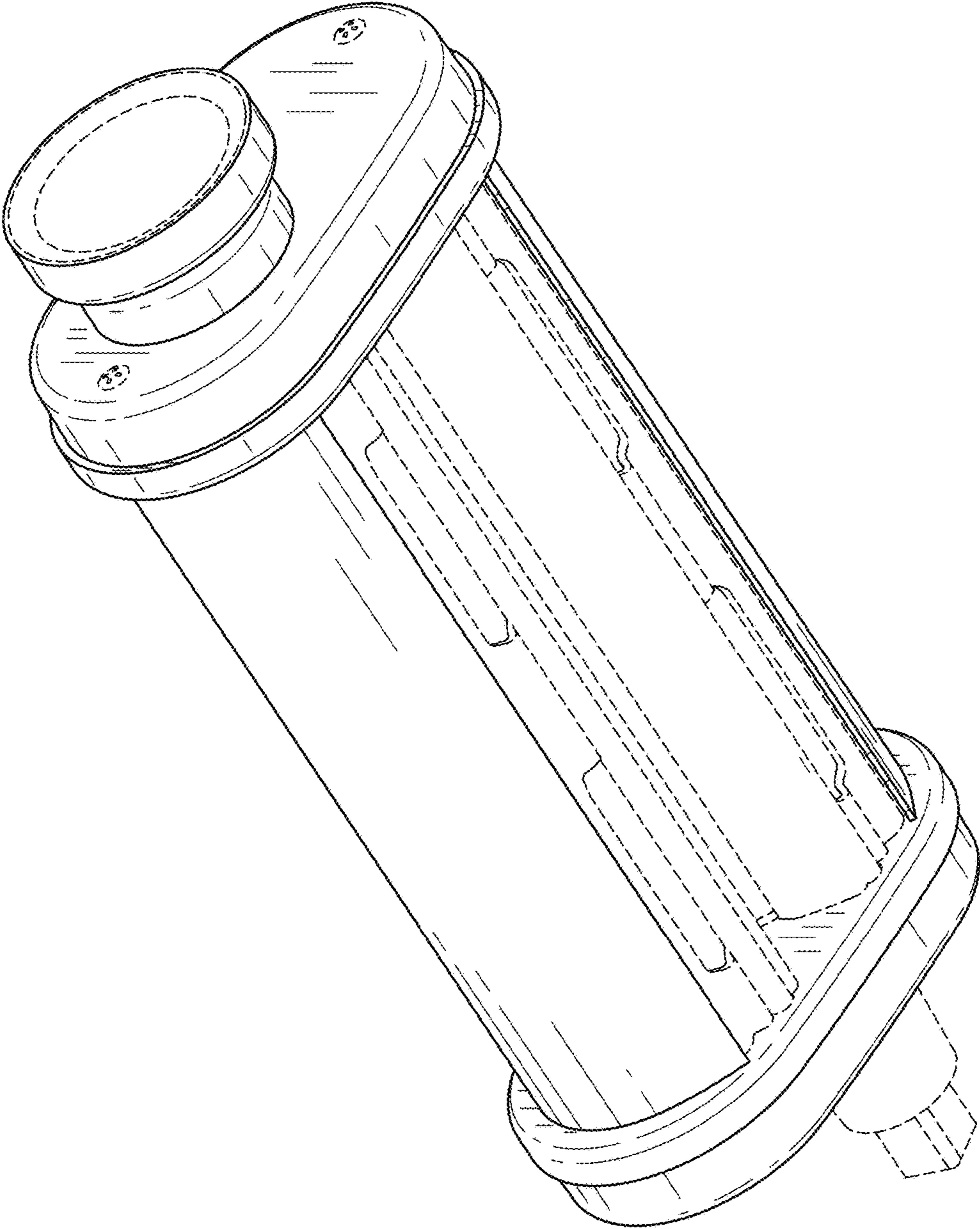


FIG. 2

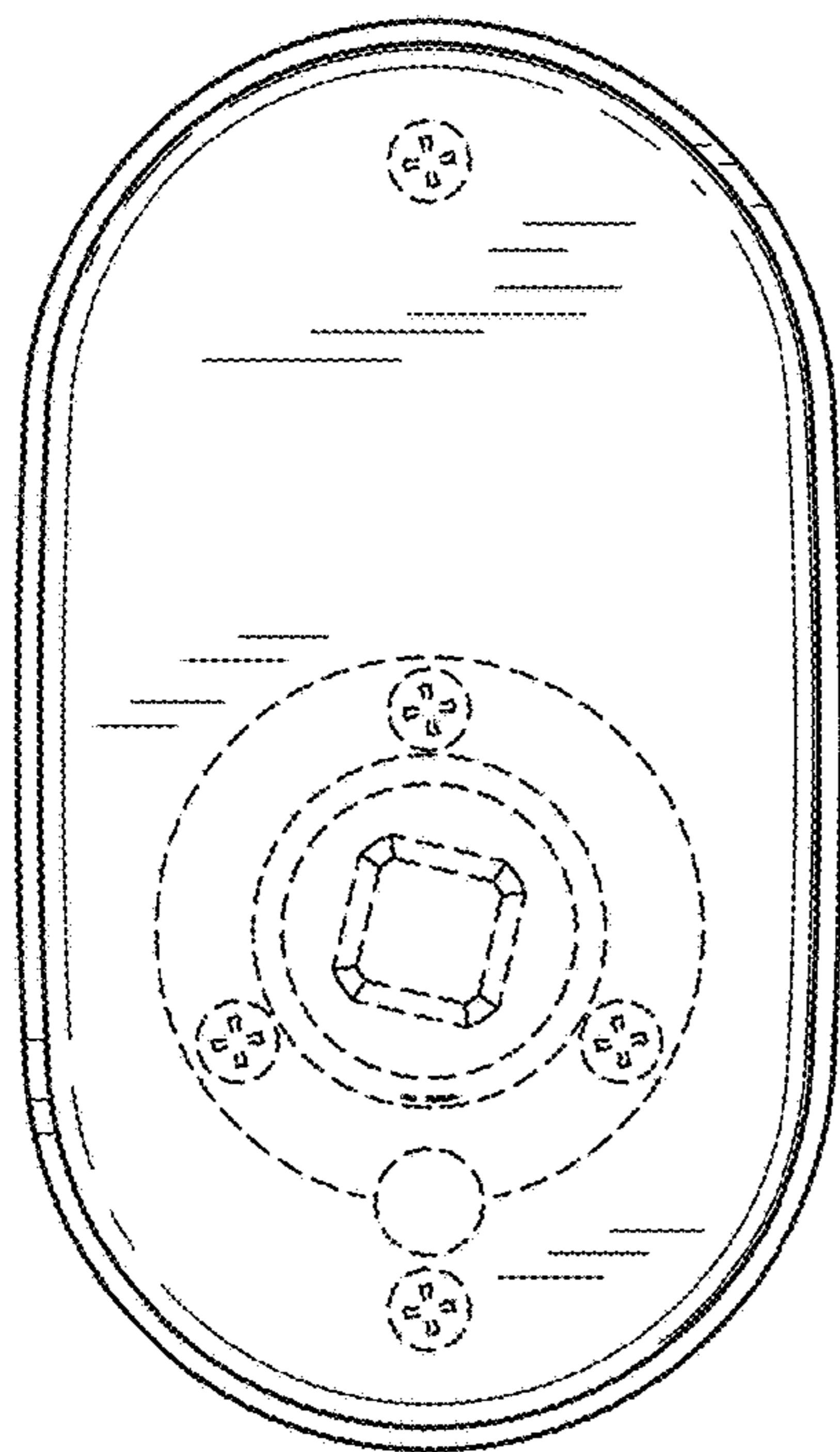


FIG. 3

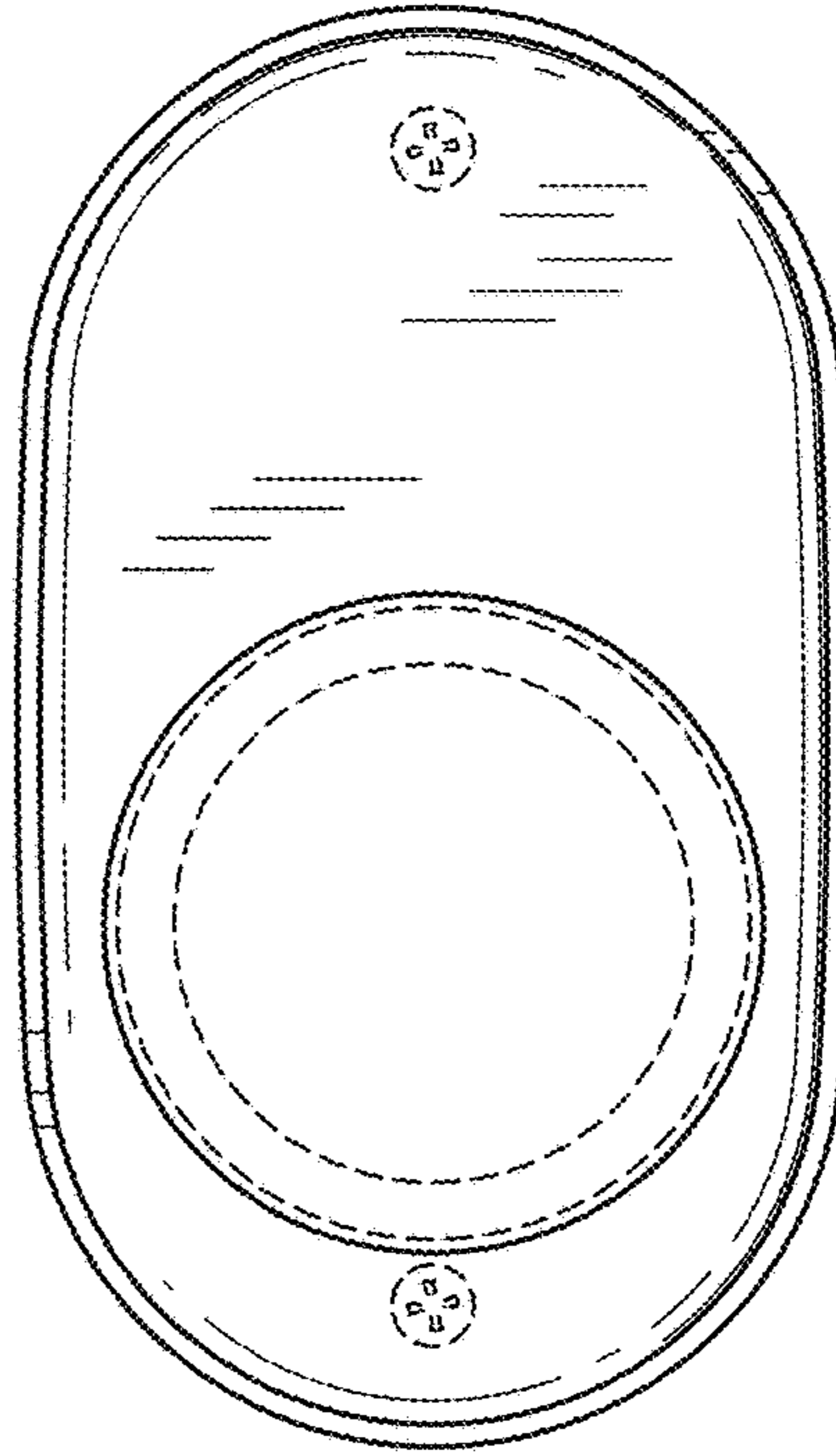


FIG. 4

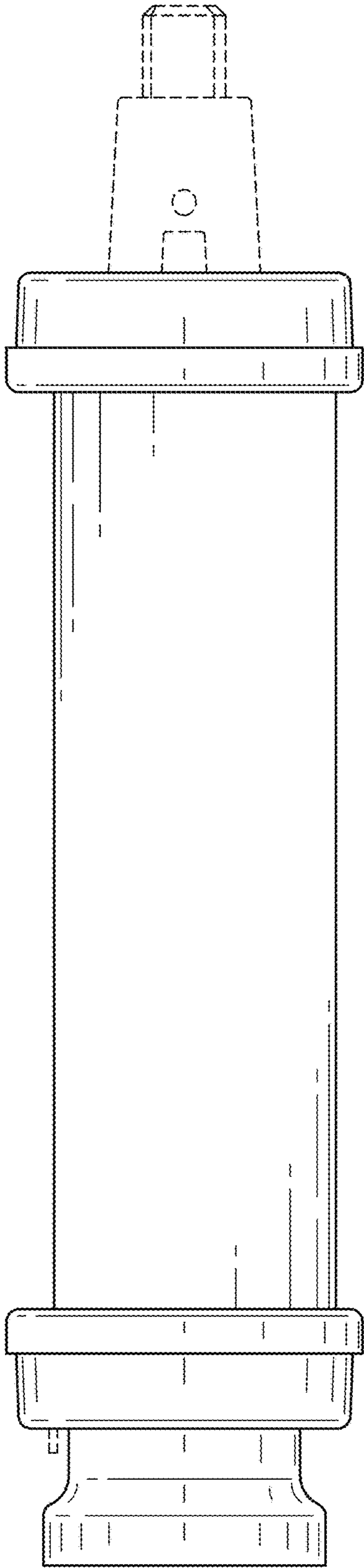


FIG. 5

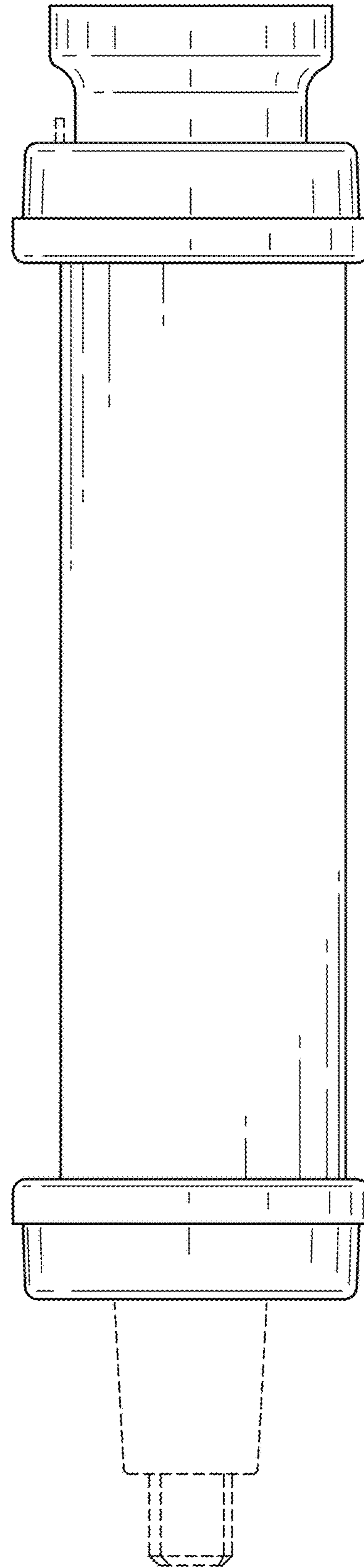


FIG. 6

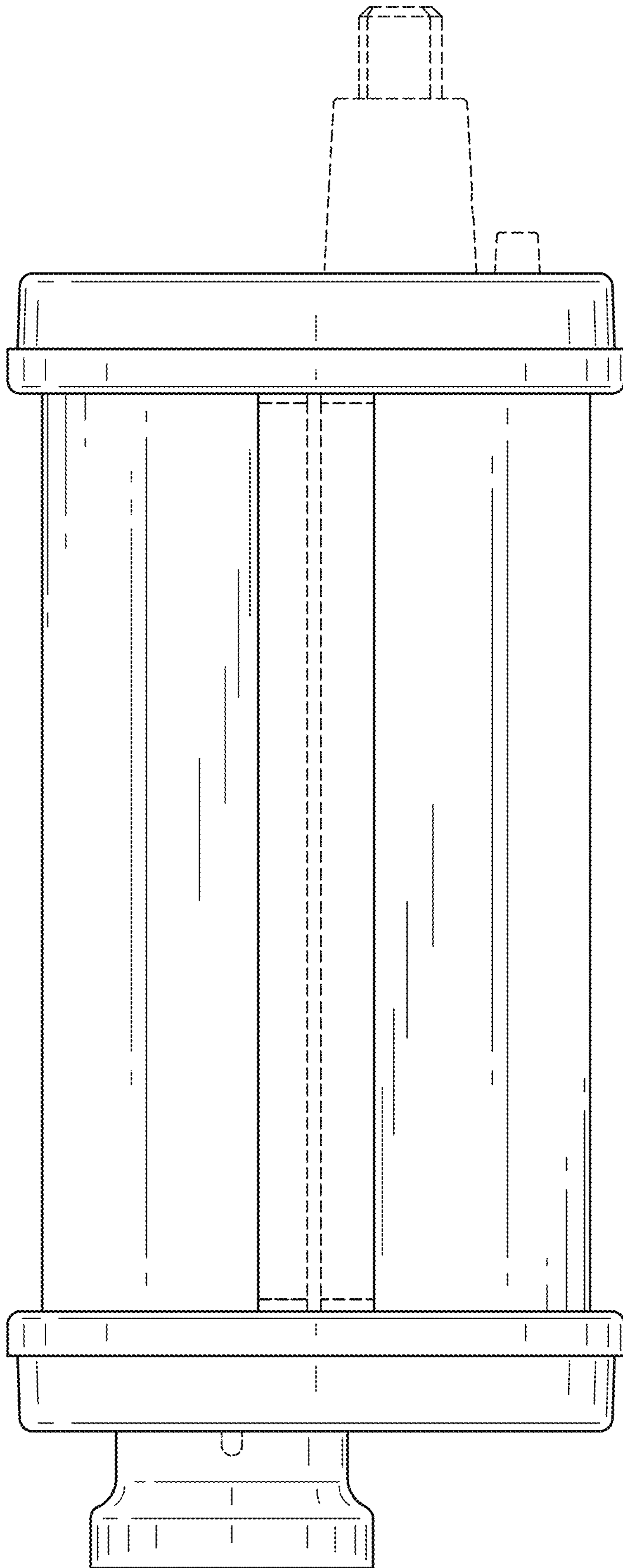


FIG. 7

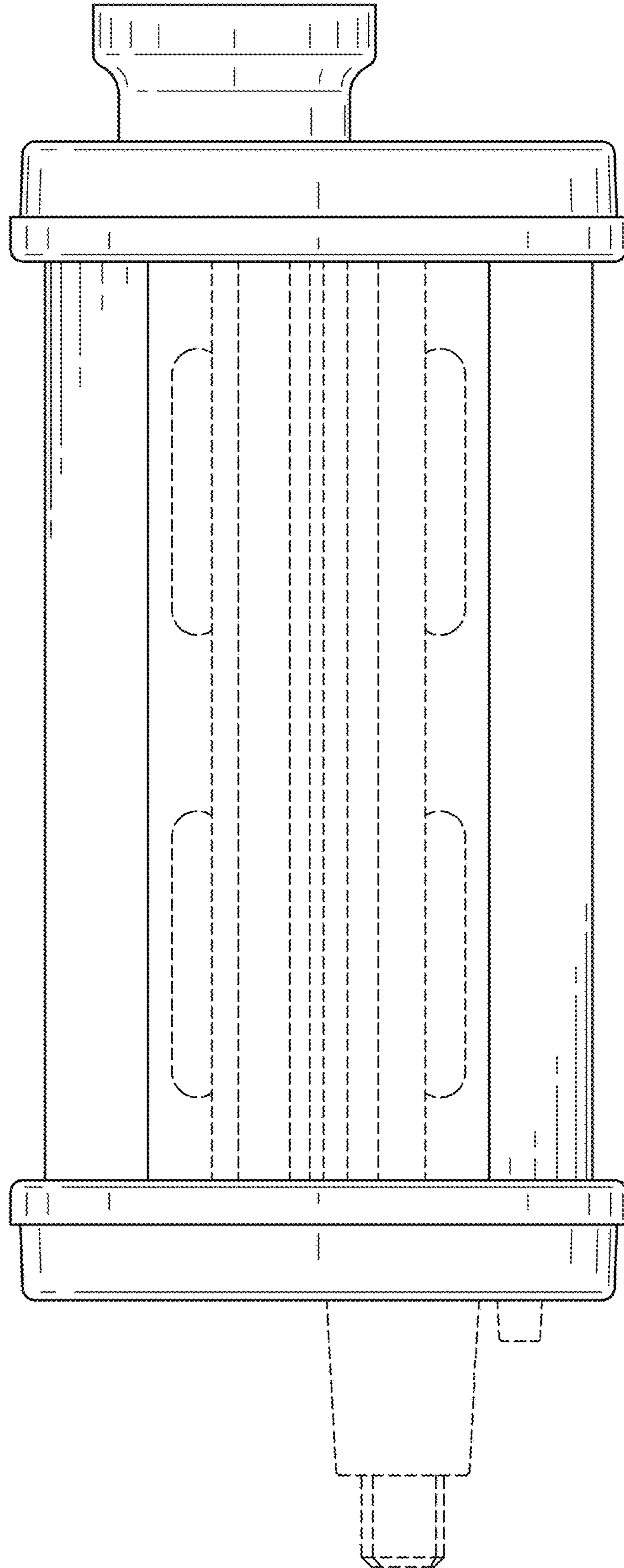


FIG. 8