



US00D790916S

(12) **United States Design Patent**
Kim et al.

(10) **Patent No.: US D790,916 S**

(45) **Date of Patent: ** Jul. 4, 2017**

(54) **OVEN RANGE**
(71) Applicant: **LG ELECTRONICS INC.**, Seoul (KR)
(72) Inventors: **Soo Yeon Kim**, Seoul (KR); **Song Yi Han**, Seoul (KR); **Mi Young Kim**, Seoul (KR)
(73) Assignee: **LG ELECTRONICS INC.**, Seoul (KR)
(**) Term: **14 Years**
(21) Appl. No.: **29/513,951**

5,813,394 A * 9/1998 Clifford A47J 37/0713
126/39 BA
D409,435 S * 5/1999 Husted D7/332
D437,176 S * 2/2001 Bullard D7/334
D469,657 S * 2/2003 Becker D7/405
D487,209 S * 3/2004 MacIntosh D7/334
D520,298 S * 5/2006 Huegerich D7/402
D560,953 S * 2/2008 Bruno D7/334
D566,464 S * 4/2008 Martin D7/405
D609,966 S * 2/2010 Bengtson D7/405
D615,345 S * 5/2010 Grey D7/346
D679,126 S * 4/2013 Davis D7/334
D679,128 S * 4/2013 Davis D7/334
D684,422 S * 6/2013 Funnell, II D7/406
D721,919 S * 2/2015 Funnell, II D7/406
D723,860 S * 3/2015 Chung D7/334
D755,008 S * 5/2016 Kim D7/406

(Continued)

(22) Filed: **Jan. 7, 2015**

(30) **Foreign Application Priority Data**

Jul. 31, 2014 (KR) 30-2014-0037672

(51) **LOC (10) Cl.** **07-02**

(52) **U.S. Cl.**
USPC **D7/406**

(58) **Field of Classification Search**
USPC D7/332-351, 362-367, 402-409;
D23/415; D20/10
CPC F24C 3/00; F24C 3/08; F24C 3/008; F24C
15/00; F24C 15/0001
See application file for complete search history.

(56) **References Cited**

U.S. PATENT DOCUMENTS

D179,403 S * 12/1956 Wilson D7/406
D201,334 S * 6/1965 Gault D7/406
D324,622 S * 3/1992 Baynes D34/20
D339,714 S * 9/1993 Leblanc D7/334
5,536,518 A * 7/1996 Rummel A47J 37/074
126/25 R
5,755,154 A * 5/1998 Schroeter A47J 37/0786
126/25 R

Primary Examiner — Sheryl Lane

Assistant Examiner — Nicole Shiflet

(74) *Attorney, Agent, or Firm* — Birch, Stewart, Kolasch & Birch, LLP

(57) **CLAIM**

We claim the ornamental design for an oven range, as shown and described.

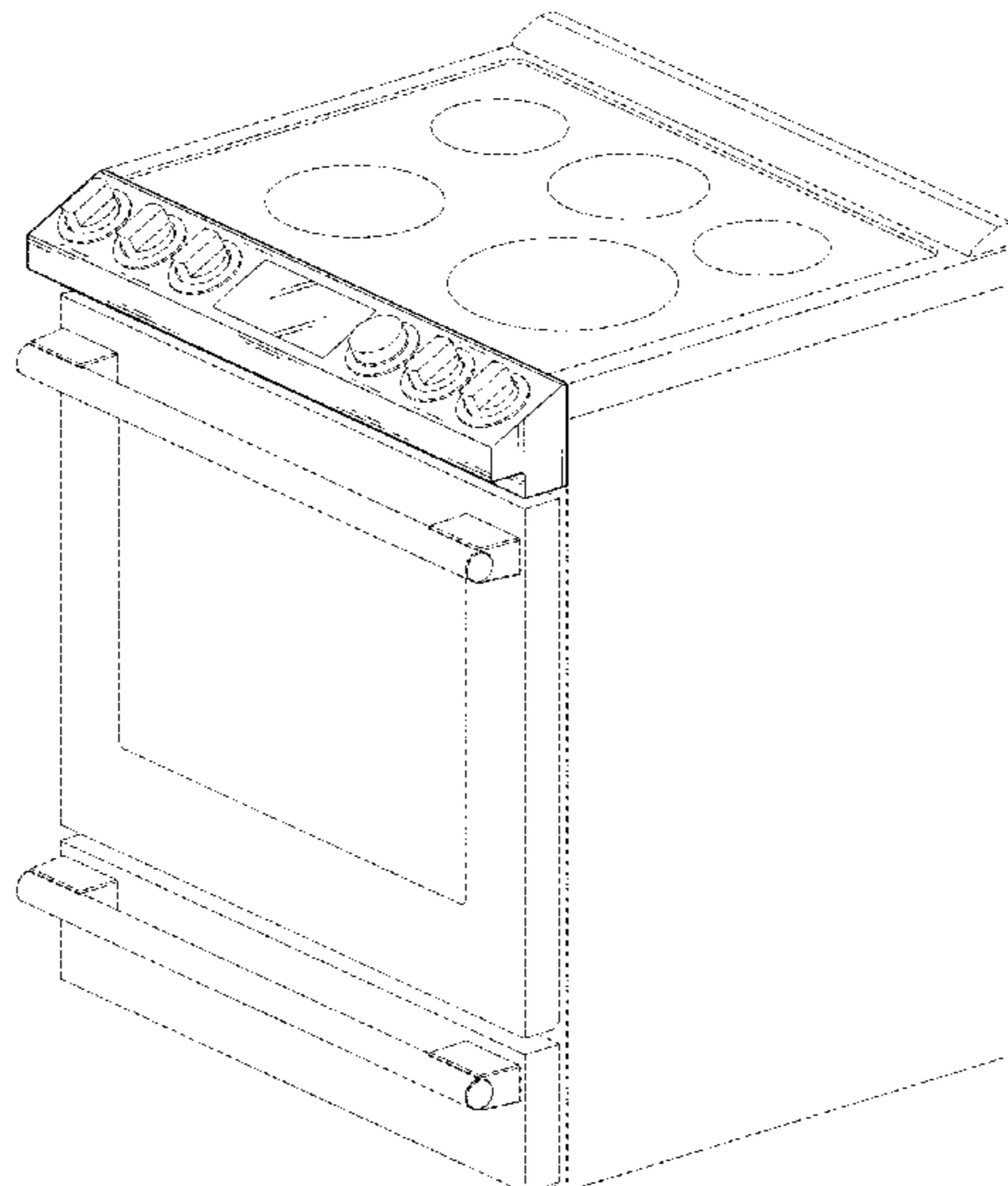
DESCRIPTION

FIG. 1 is a perspective view of an oven range showing our new design:

FIG. 2 is a front elevation view thereof;
FIG. 3 is a rear elevation view thereof;
FIG. 4 is a left-side elevation view thereof;
FIG. 5 is a right-side elevation view thereof;
FIG. 6 is a top plan view thereof; and,
FIG. 7 is a bottom plan view thereof.

The broken lines in the drawing figures are included for the purpose of illustrating environment and form no part of the claimed design.

1 Claim, 6 Drawing Sheets



(56)

References Cited

U.S. PATENT DOCUMENTS

D764,853 S * 8/2016 Kim D7/339
2003/0159689 A1 * 8/2003 Huang A47J 37/0713
126/39 E

* cited by examiner

FIG. 1

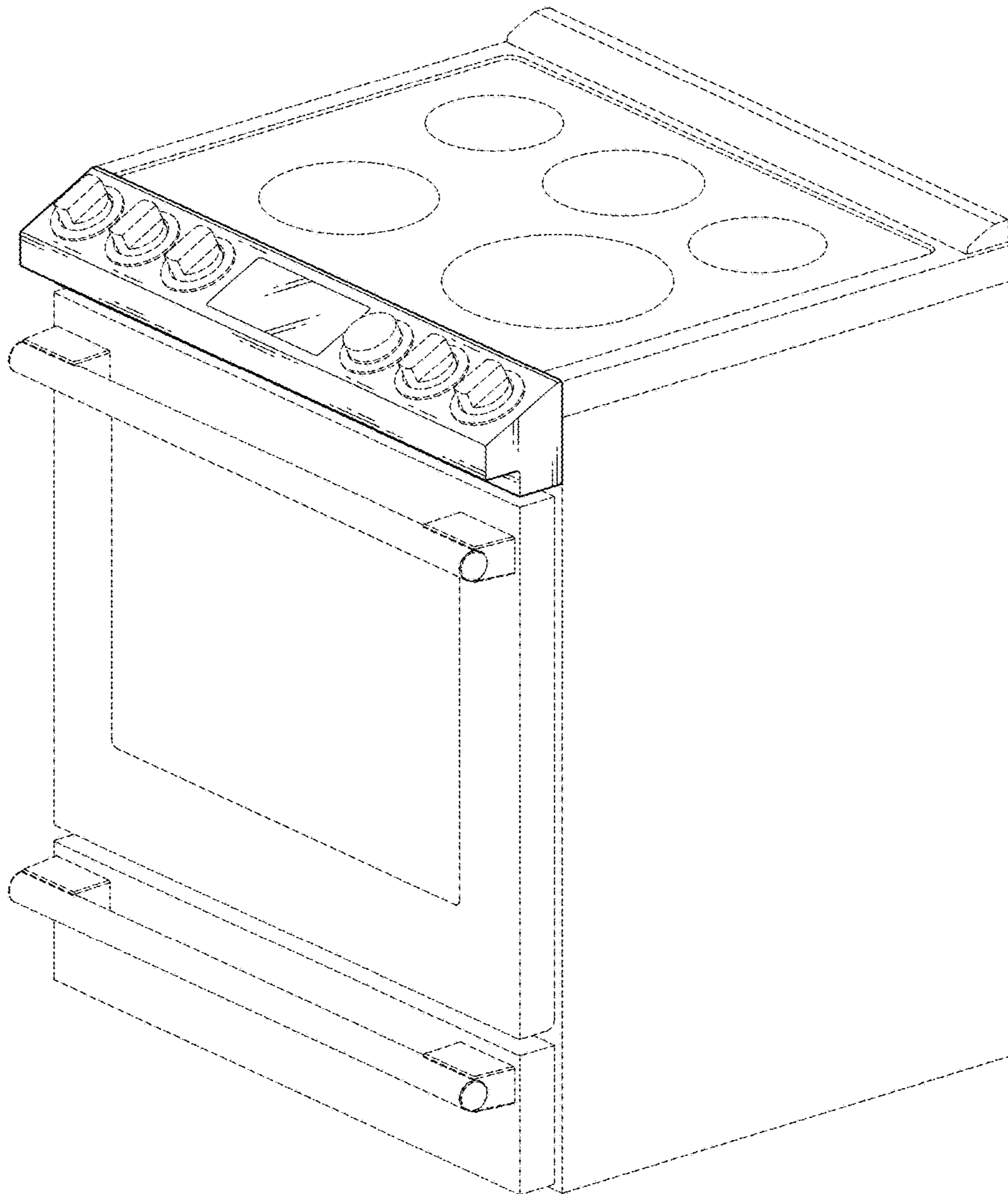


FIG. 2

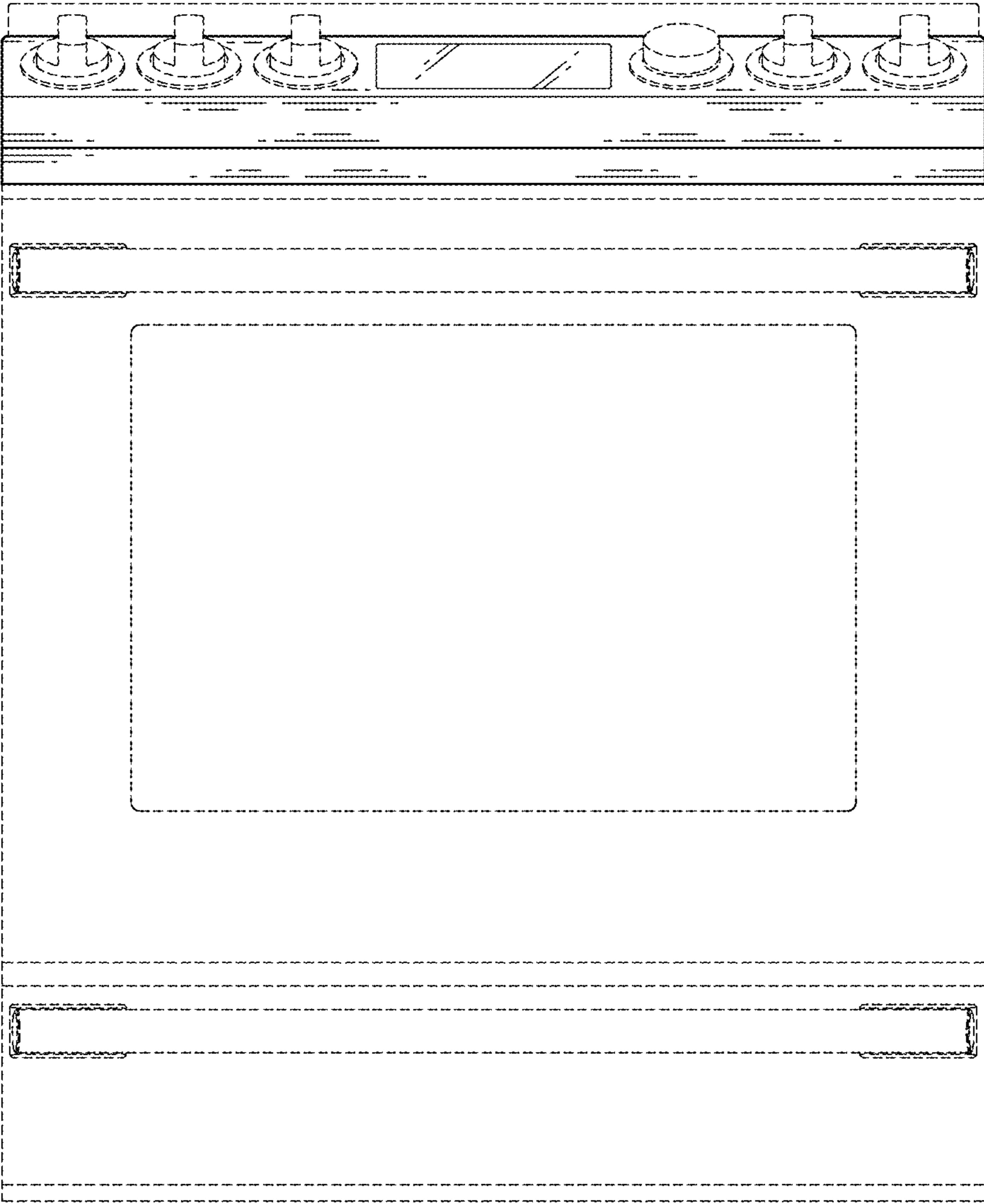


FIG. 3



FIG. 4

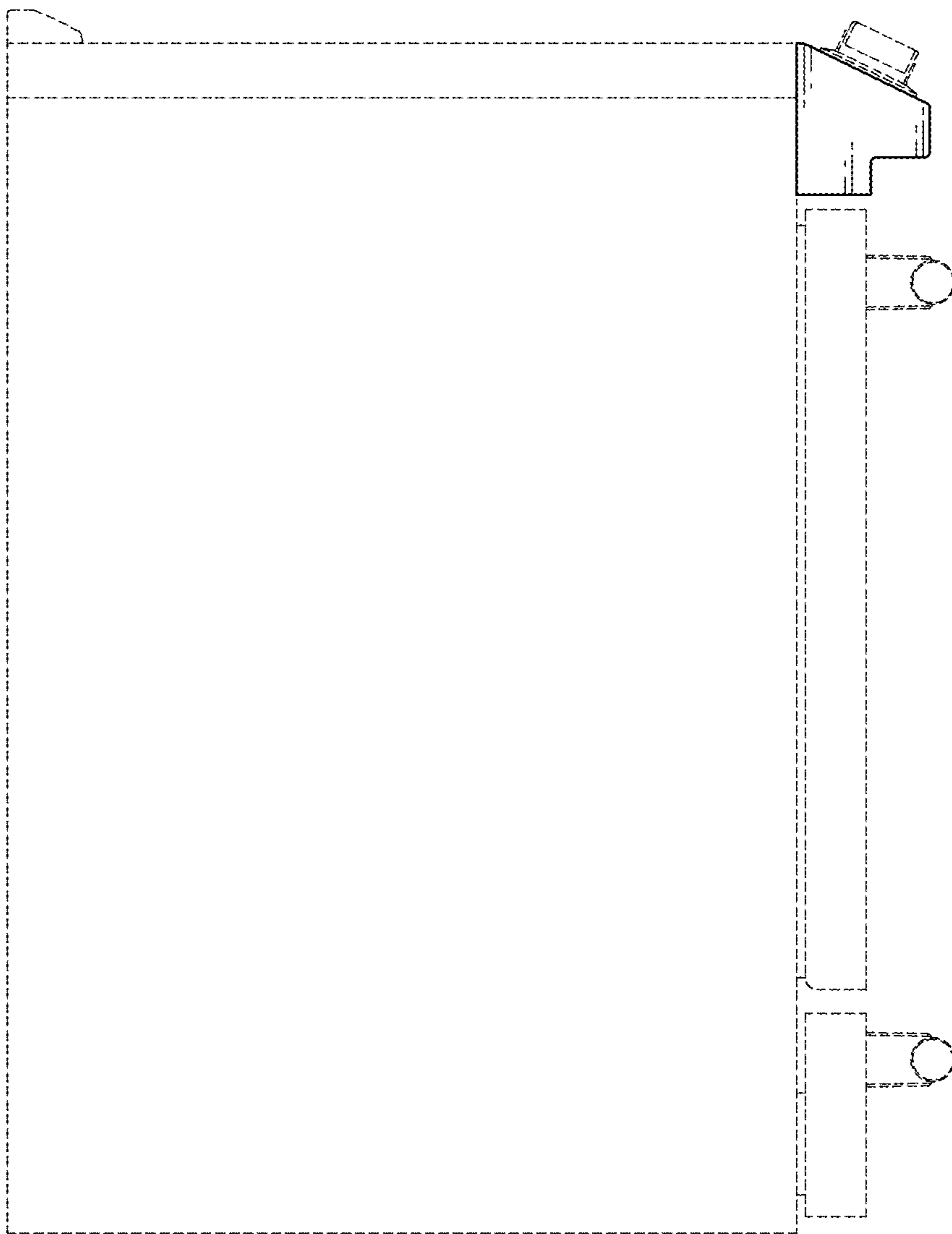


FIG. 5

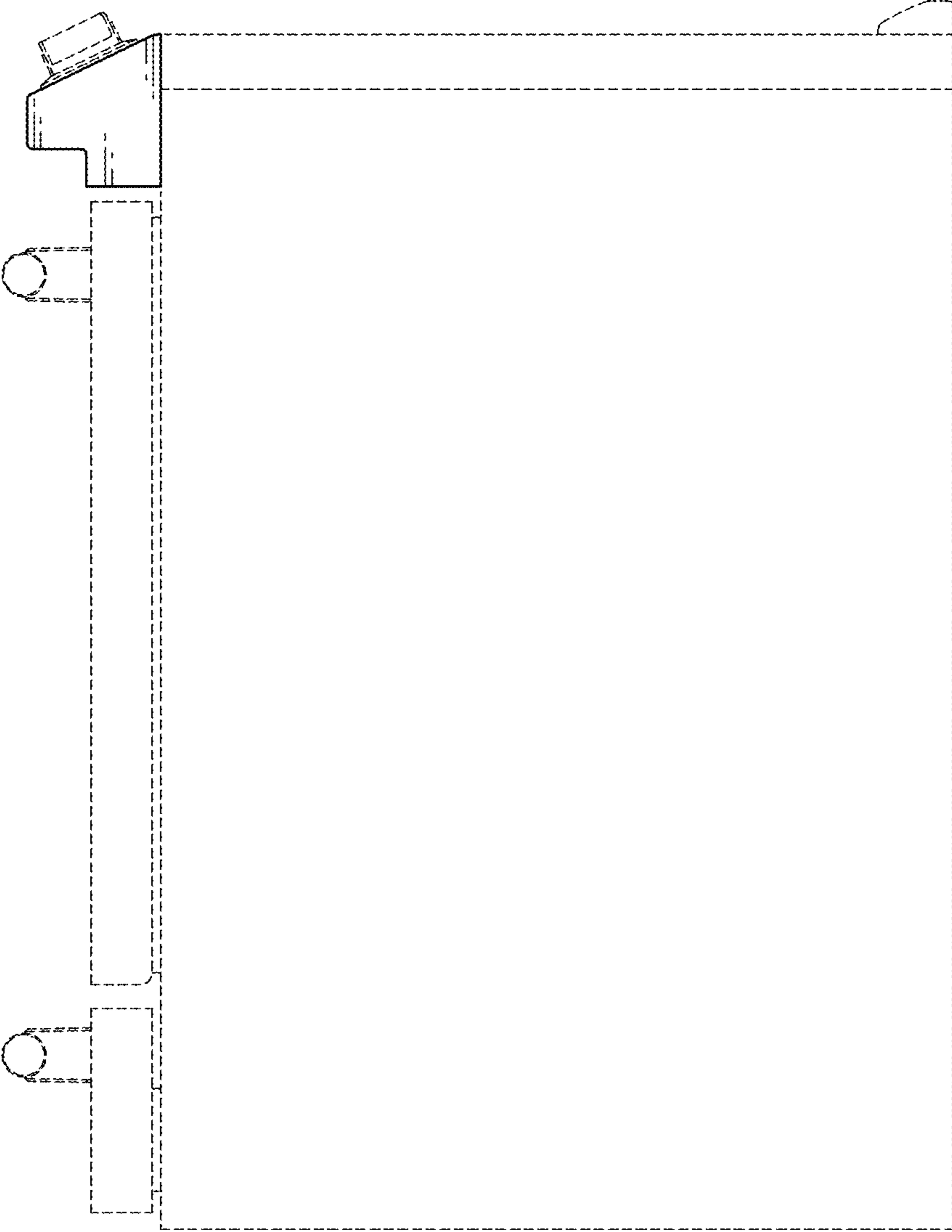


FIG. 6

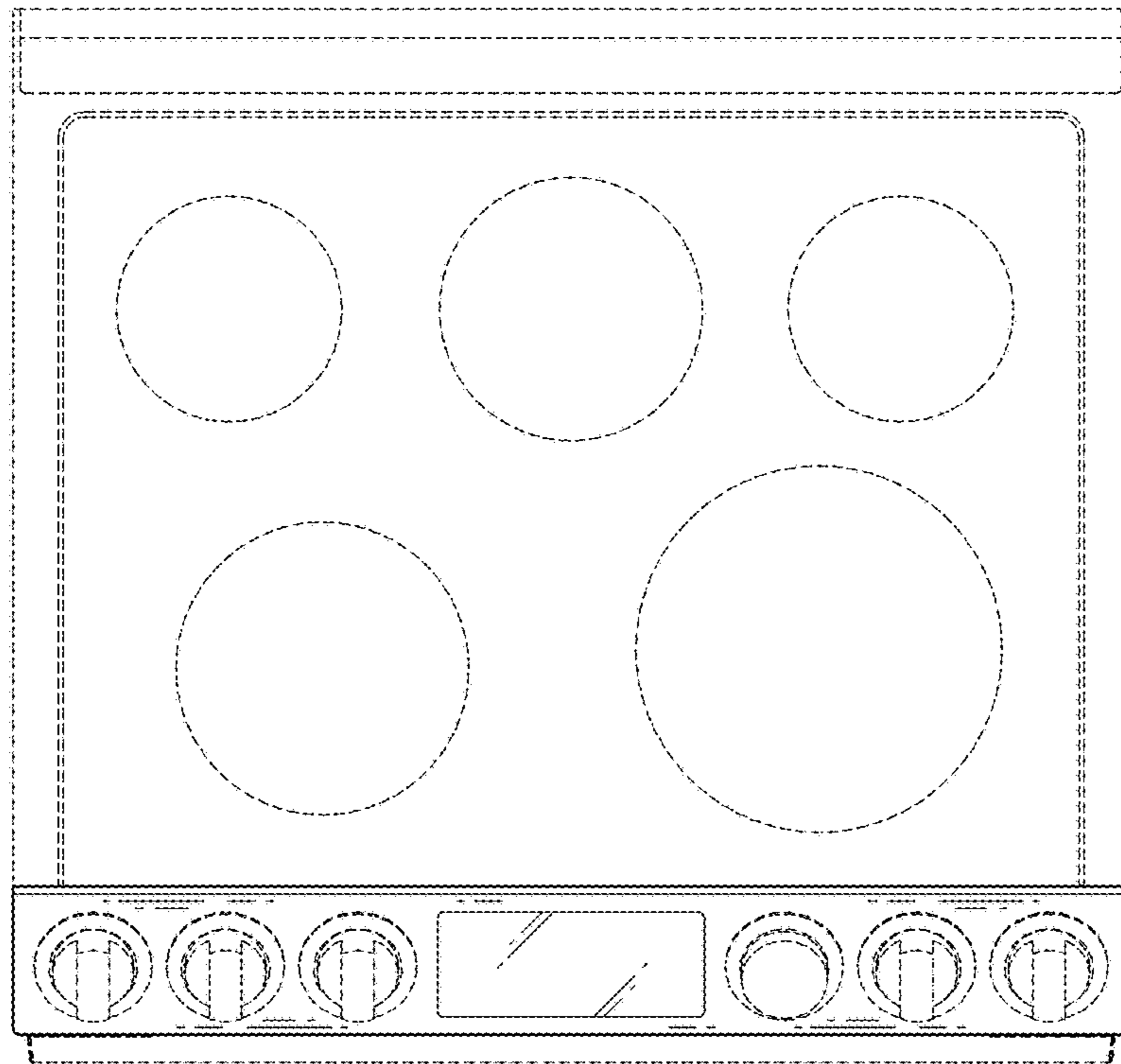


FIG. 7

