



US00D790915S

(12) **United States Design Patent**
Yeh

(10) **Patent No.:** **US D790,915 S**

(45) **Date of Patent:** **** Jul. 4, 2017**

(54) **COFFEE FILTER WITH DUAL-LINING**

(71) Applicant: **YUKAWA ENTERPRISE CO., LTD.**,
Hemei Township, Changhua County
(TW)

(72) Inventor: **Chin-Chen Yeh**, Changhua (TW)

(73) Assignee: **YUKAWA ENTERPRISE CO., LTD.**,
Hemei Township, Changhua County
(TW)

(**) Term: **15 Years**

(21) Appl. No.: **29/560,033**

(22) Filed: **Apr. 1, 2016**

(51) **LOC (10) Cl.** **07-02**

(52) **U.S. Cl.**
USPC **D7/400**

(58) **Field of Classification Search**
USPC D3/304; D7/399, 400, 401, 667;
D23/209, 261; 99/279; 141/331, 340;
210/348, 391, 472, 474, 477
CPC A47J 47/00; A47J 31/44; B65B 39/00;
B65B 39/02; B67C 11/00; B67C 11/02
See application file for complete search history.

(56) **References Cited**

U.S. PATENT DOCUMENTS

- 3,334,574 A * 8/1967 Douglas A47J 31/02
210/455
- D279,379 S * 6/1985 Uram D15/138
- 6,083,392 A * 7/2000 Rigney A47J 37/1271
210/451
- D524,599 S * 7/2006 Bodum D7/400
- D694,852 S * 12/2013 Gordon D23/209
- D717,594 S * 11/2014 Taketani D7/399

- D738,169 S * 9/2015 Weisenbach D7/700
- D763,335 S * 8/2016 Ruffin D15/150
- D764,864 S * 8/2016 Hertaus D7/400
- 2010/0047419 A1 * 2/2010 Boul A47J 31/08
426/433

* cited by examiner

Primary Examiner — Cynthia Ramirez

Assistant Examiner — Andrew Kerr

(74) *Attorney, Agent, or Firm* — Egbert Law Offices,
PLLC

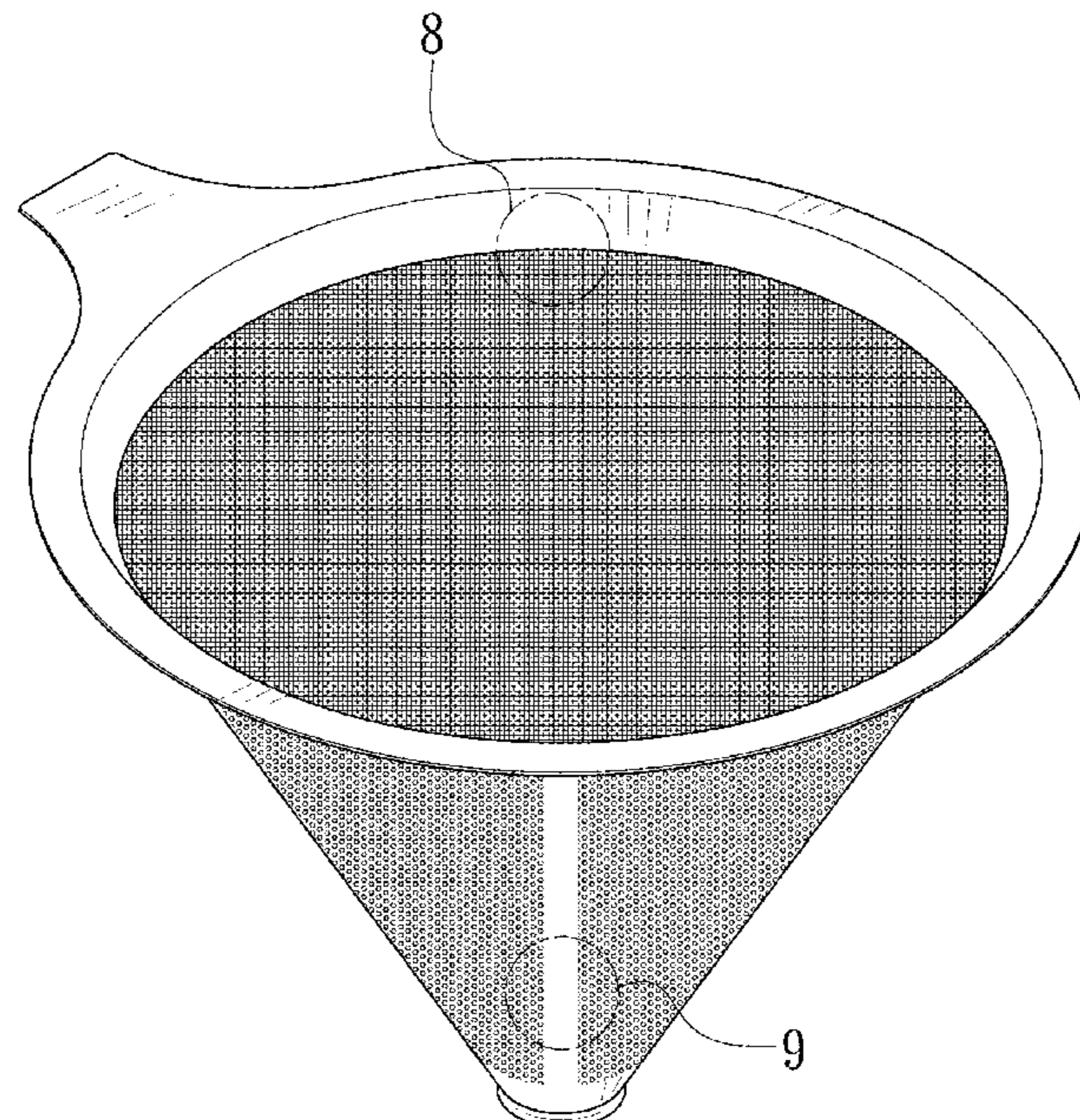
(57) **CLAIM**

The ornamental design for a coffee filter with dual-lining, as shown and described.

DESCRIPTION

FIG. 1 is an upper perspective view of a coffee filter with dual-lining showing my new design.
 FIG. 2 is a front elevation view thereof;
 FIG. 3 is rear elevation view thereof;
 FIG. 4 is a side elevation view thereof;
 FIG. 5 is an opposite side elevation view thereof;
 FIG. 6 is a top plan view thereof;
 FIG. 7 is a bottom plan view thereof;
 FIG. 8 is an enlarged view of the area identified as “8” in FIG. 1;
 FIG. 9 is an enlarged view of the area identified as “9” in FIG. 1; and,
 FIG. 10 is a perspective view showing the coffee filter with dual-lining thereof, in use condition.
 The coffee mug shown in broken lines in FIG. 10 are included for the purpose of illustrating unclaimed environment only, and forms no part of the claimed design.

1 Claim, 10 Drawing Sheets



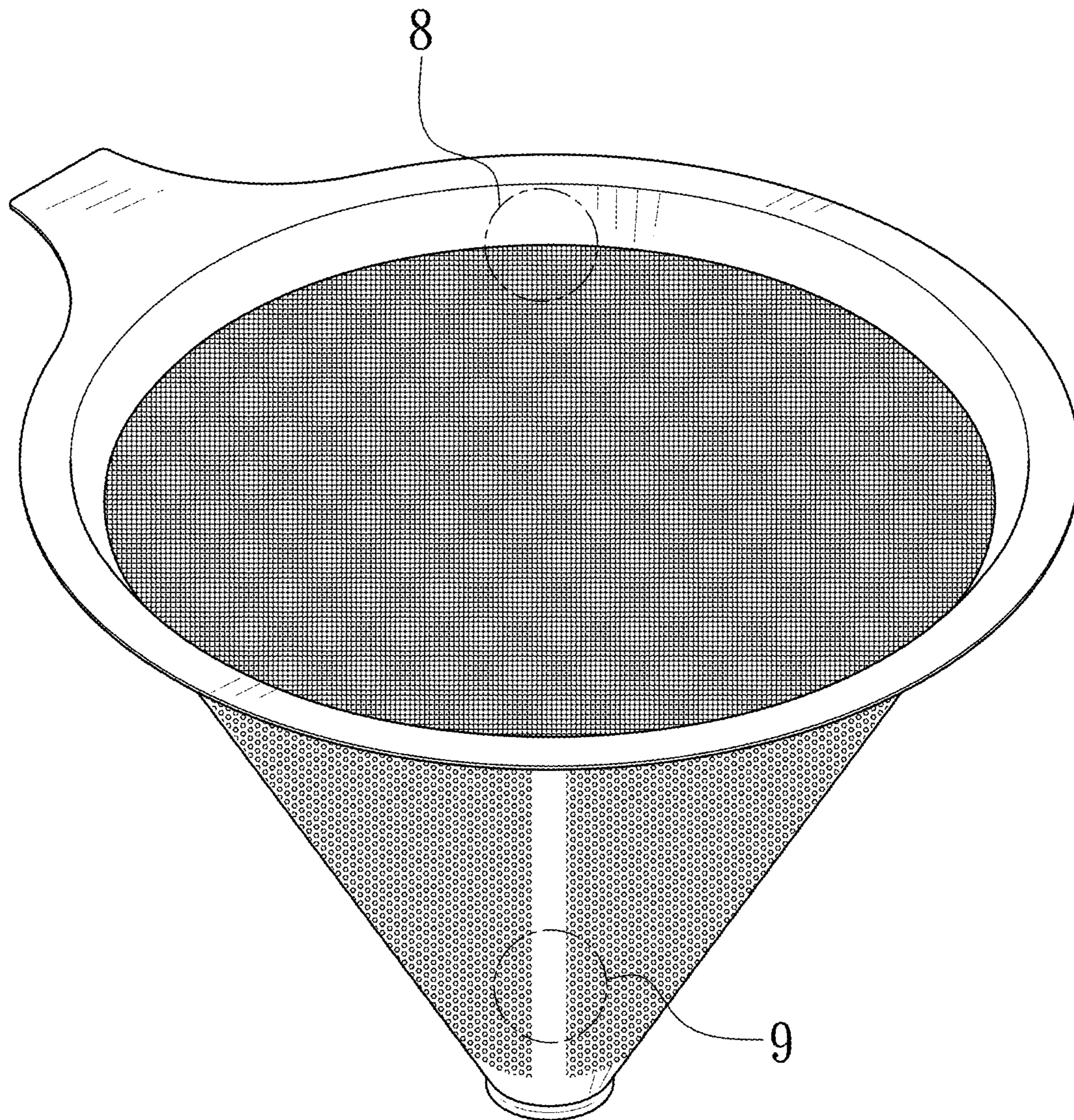


FIG. 1

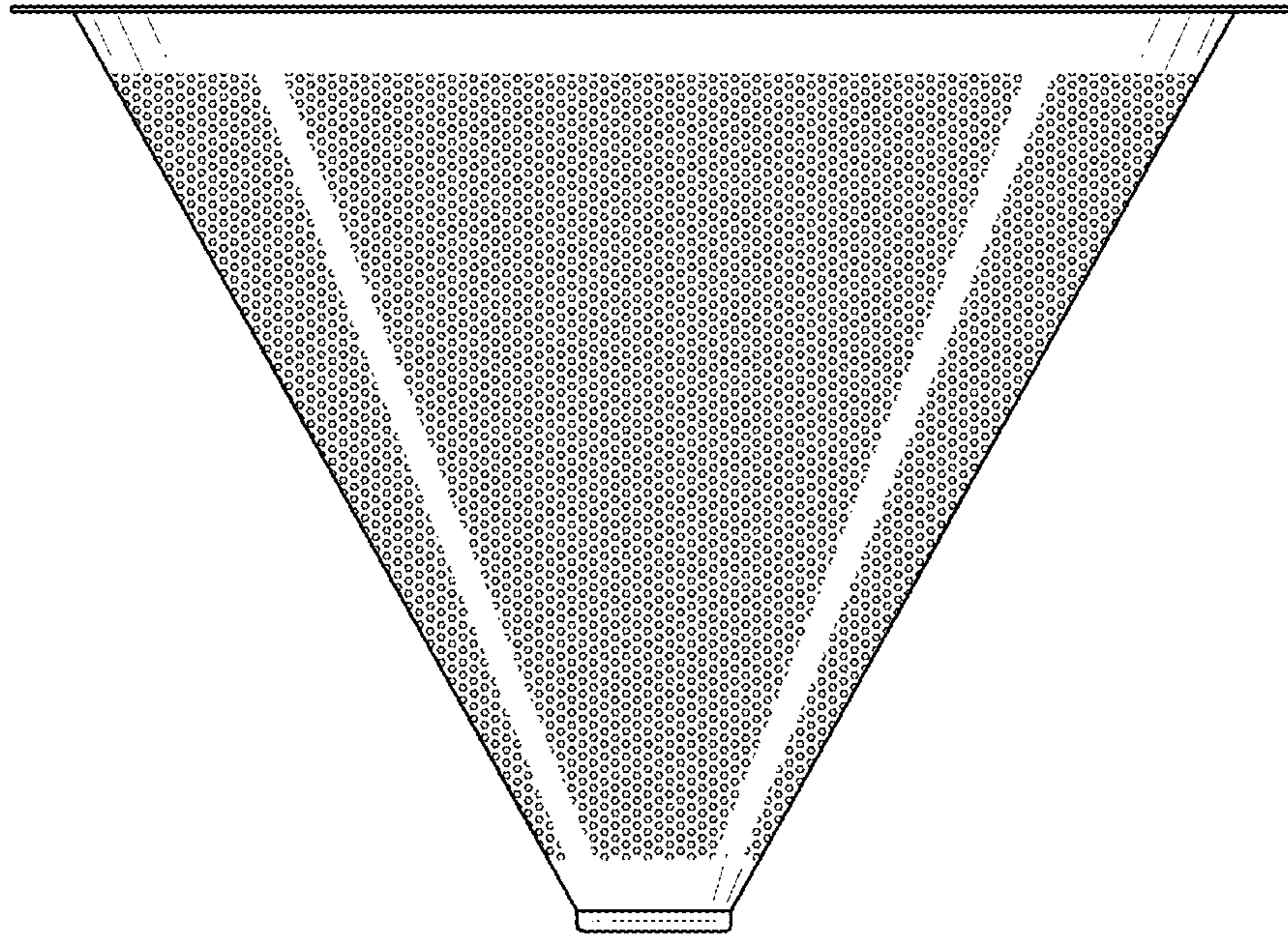


FIG. 2

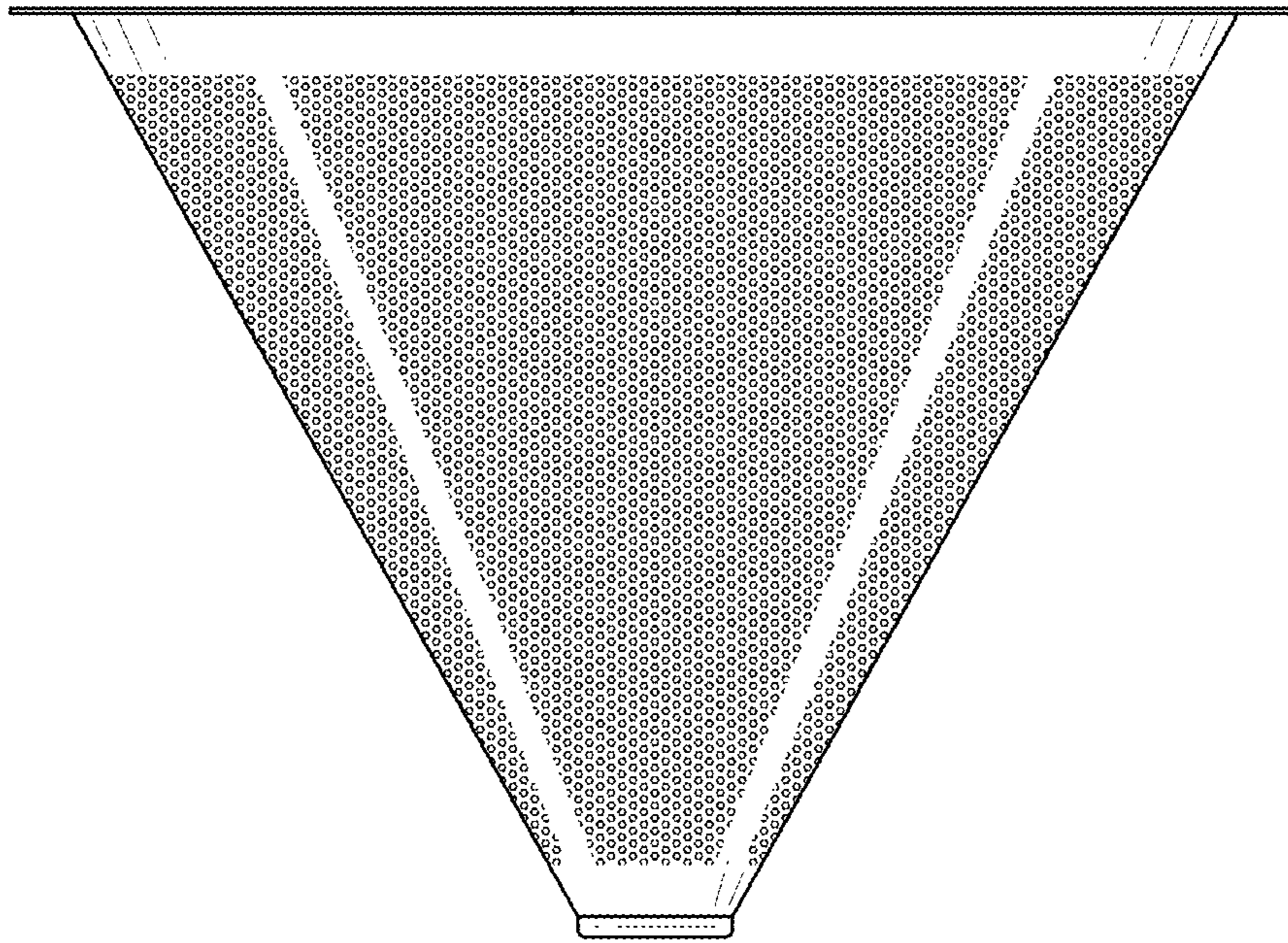


FIG. 3

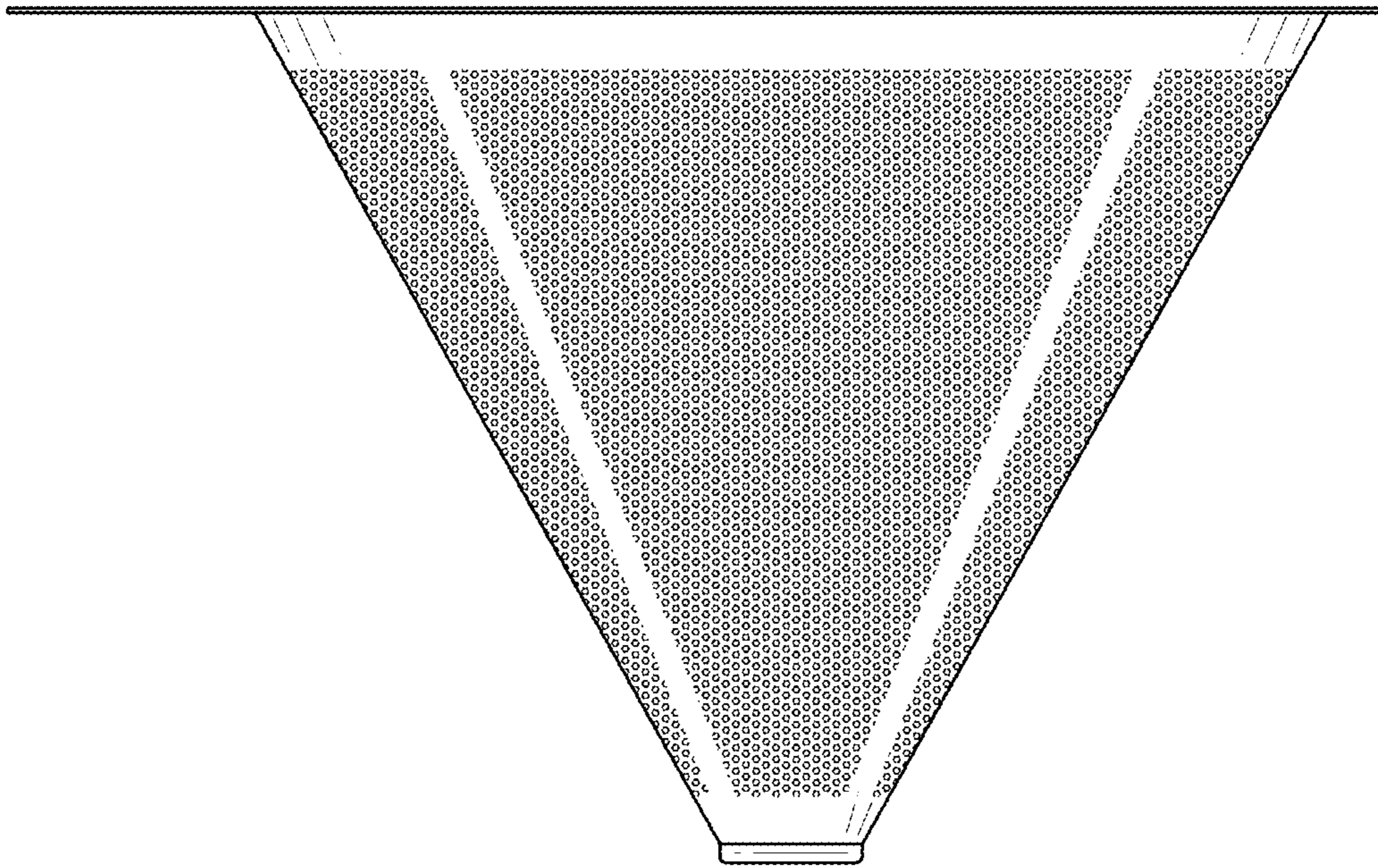


FIG. 4

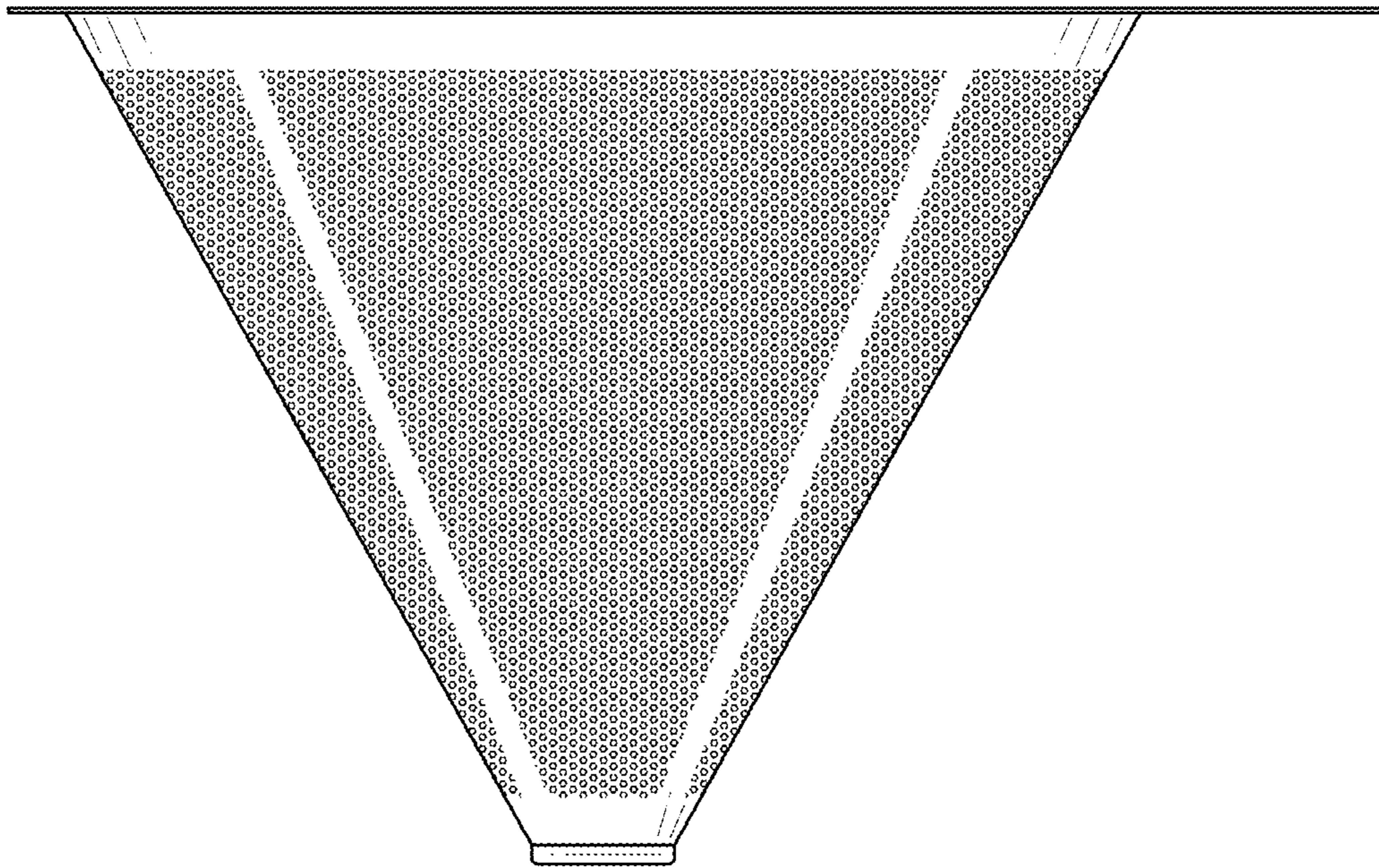


FIG. 5

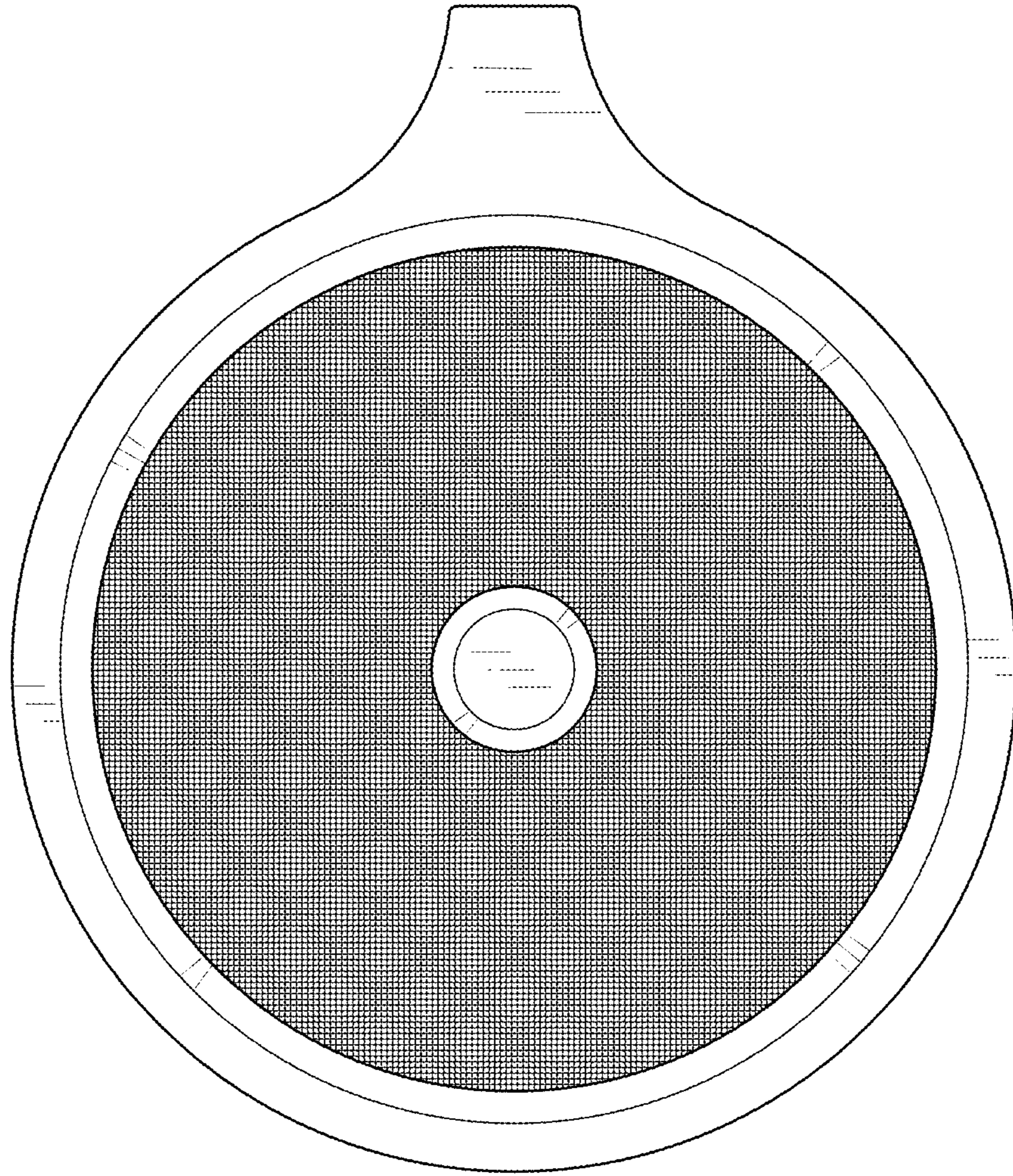


FIG. 6

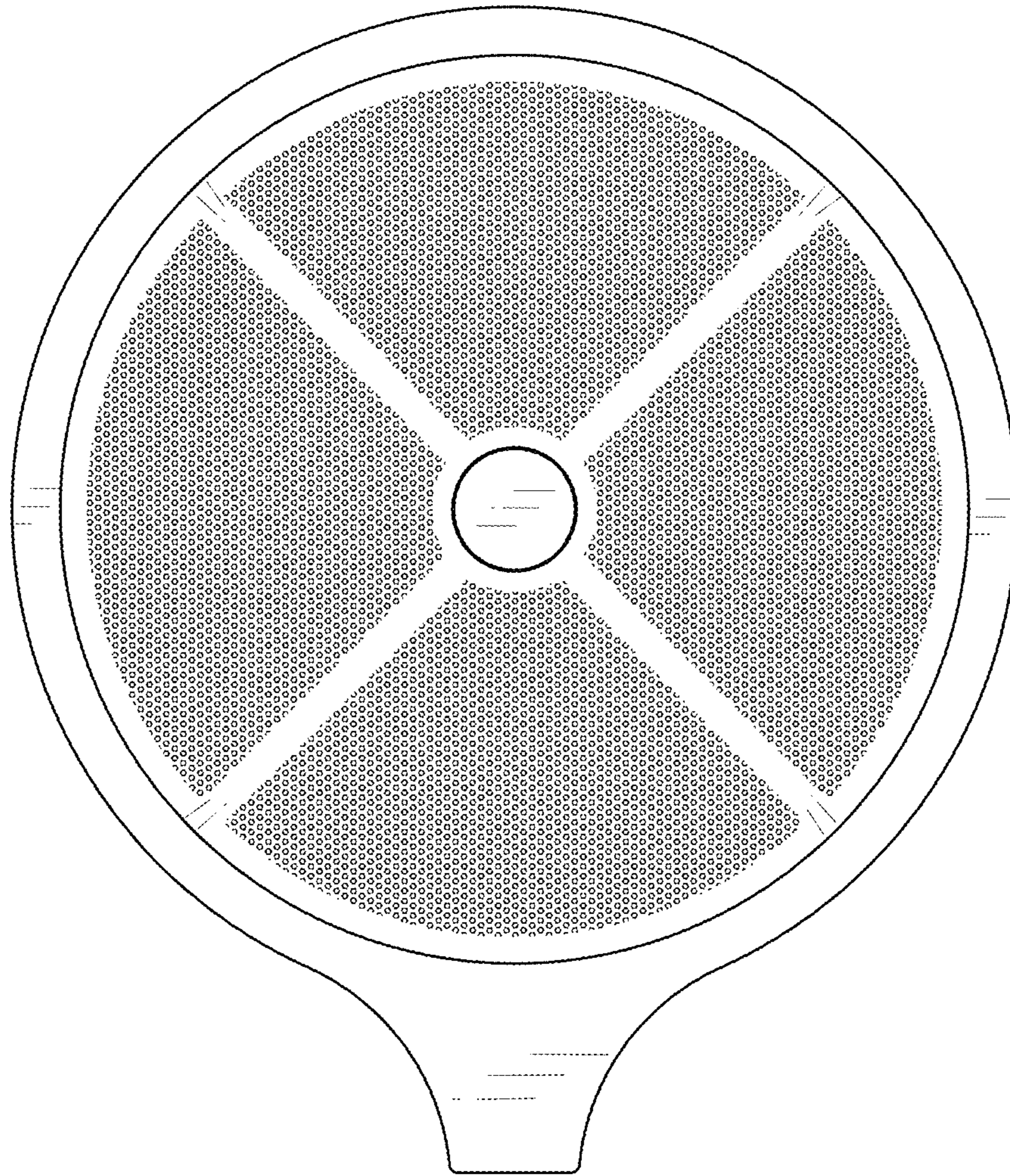


FIG. 7

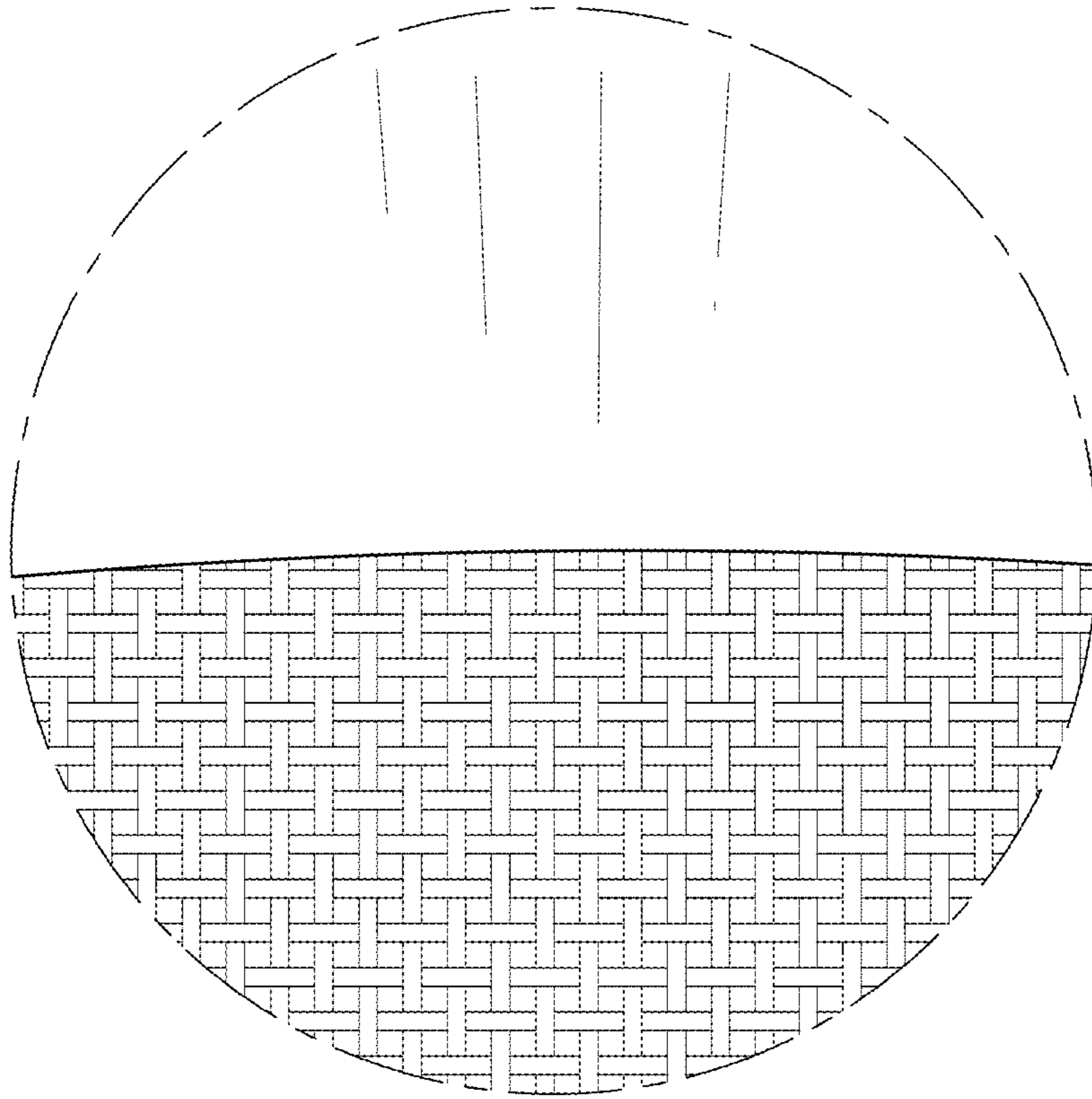


FIG. 8

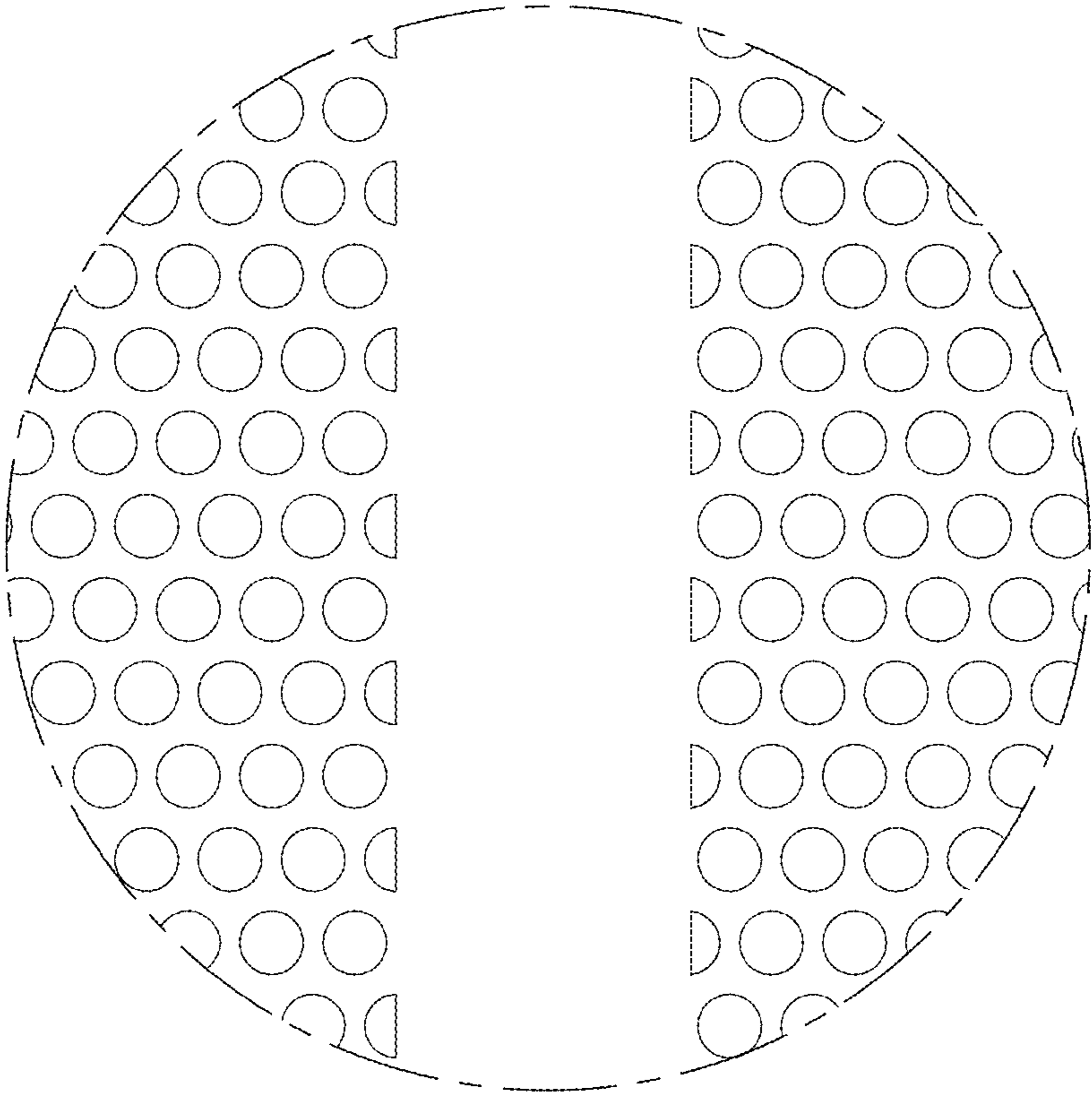


FIG. 9

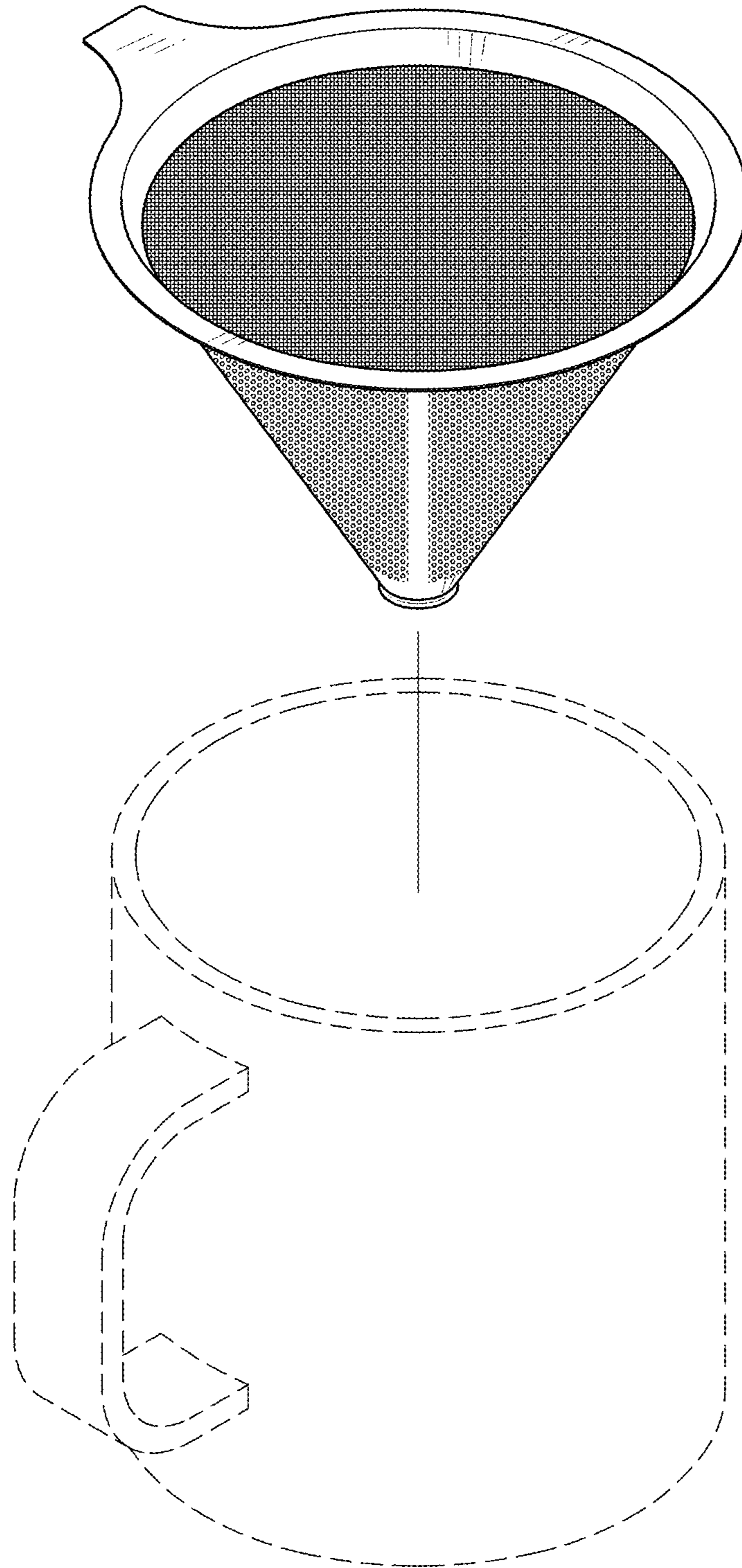


FIG. 10