



US00D790914S

(12) **United States Design Patent**  
**Arov et al.**

(10) **Patent No.:** **US D790,914 S**  
(45) **Date of Patent:** **\*\* Jul. 4, 2017**

- (54) **FAUCET**
- (71) Applicant: **Perlick Corporation**, Milwaukee, WI (US)
- (72) Inventors: **Gennady Arov**, Bayside, WI (US);  
**James Adam Hefti**, Burlington, WI (US)
- (73) Assignee: **Perlick Corporation**, Milwaukee, WI (US)
- (\*\*) Term: **15 Years**
- (21) Appl. No.: **29/530,792**
- (22) Filed: **Jun. 19, 2015**

- D205,438 S \* 8/1966 Hansen ..... D7/398
- D245,507 S \* 8/1977 Crow ..... D23/255
- D271,368 S \* 11/1983 Belland ..... D23/238
- D280,880 S \* 10/1985 Schweres ..... D7/398
- 5,232,129 A \* 8/1993 Guerra ..... B67D 1/06  
137/375
- D352,637 S \* 11/1994 Ugolini ..... D7/397
- D353,877 S \* 12/1994 Rogers ..... D23/255
- D412,262 S \* 7/1999 Roundtree ..... D7/307
- D422,684 S \* 4/2000 Gottwald ..... D23/255
- D443,792 S \* 6/2001 Peters ..... D7/306
- D445,879 S \* 7/2001 Starck ..... D23/241
- D474,365 S \* 5/2003 Valentino ..... D7/300
- D475,241 S \* 6/2003 Mattiuzzo ..... D7/397
- D483,609 S \* 12/2003 Guadalupi ..... D7/397
- D486,560 S \* 2/2004 Spangler ..... D23/238
- 6,736,159 B2 \* 5/2004 Becker ..... B67D 1/1405  
137/375
- D519,318 S \* 4/2006 Katzke ..... D7/398
- D525,348 S \* 7/2006 Schaffeld ..... D23/255

(Continued)

**Related U.S. Application Data**

- (63) Continuation-in-part of application No. 29/490,285, filed on May 8, 2014, now abandoned.
- (51) **LOC (10) Cl.** ..... **07-99**
- (52) **U.S. Cl.**  
USPC ..... **D7/398**; D7/397; D23/255
- (58) **Field of Classification Search**  
USPC ..... D7/392.1, 397, 398, 623, 702, 505, 400,  
D7/540, 213, 396.2, 399, 387, 392;  
220/703, 705, 709; D23/238, 255;  
206/501, 502; 126/246  
CPC ..... Y10T 137/6014; Y10T 137/87917; Y10T  
137/9464  
See application file for complete search history.

*Primary Examiner* — Marianne Pandozzi

*Assistant Examiner* — Jae Liang

(74) *Attorney, Agent, or Firm* — Quarles & Brady LLP

(57) **CLAIM**

The ornamental design for a faucet, as shown and described.

**DESCRIPTION**

FIG. 1 is a top, front and right side perspective view of a faucet showing our new design;  
 FIG. 2 is a right side elevational view thereof;  
 FIG. 3 is a left side elevational view thereof;  
 FIG. 4 is a front elevational view thereof;  
 FIG. 5 is a top view thereof; and,  
 FIG. 6 is a bottom view thereof.

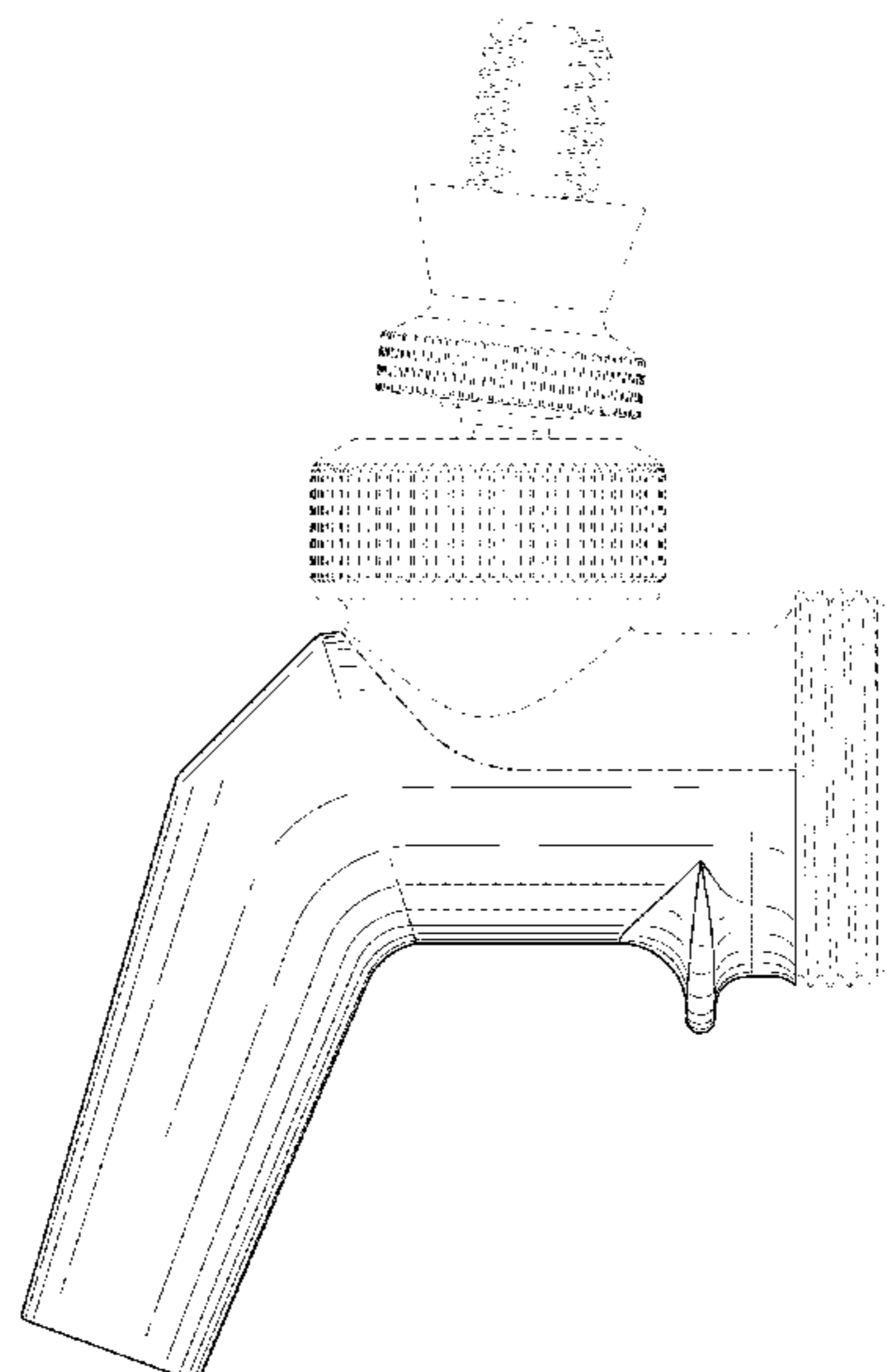
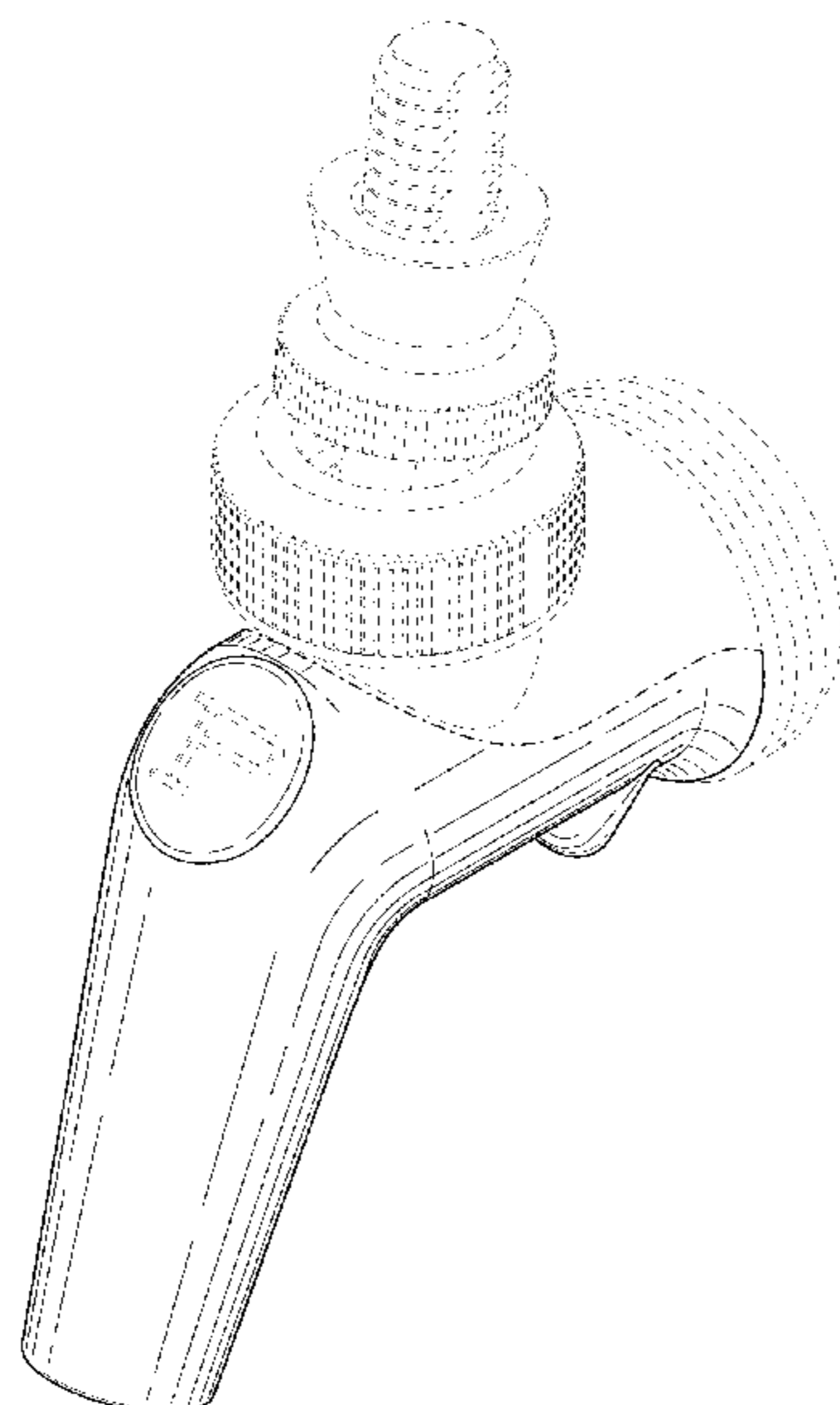
The broken lines in the drawing depict portions of the faucet that form no part of the claimed design. The dash-dot lines in the drawing depict bounds of the claimed design that form no part of the claimed design.

**1 Claim, 5 Drawing Sheets**

(56) **References Cited**

**U.S. PATENT DOCUMENTS**

- 2,230,323 A \* 2/1941 Guyton ..... F16K 1/526  
137/315.12
- D128,643 S \* 8/1941 Rosander ..... D7/398
- D154,879 S \* 8/1949 Rosander et al. .... D23/238



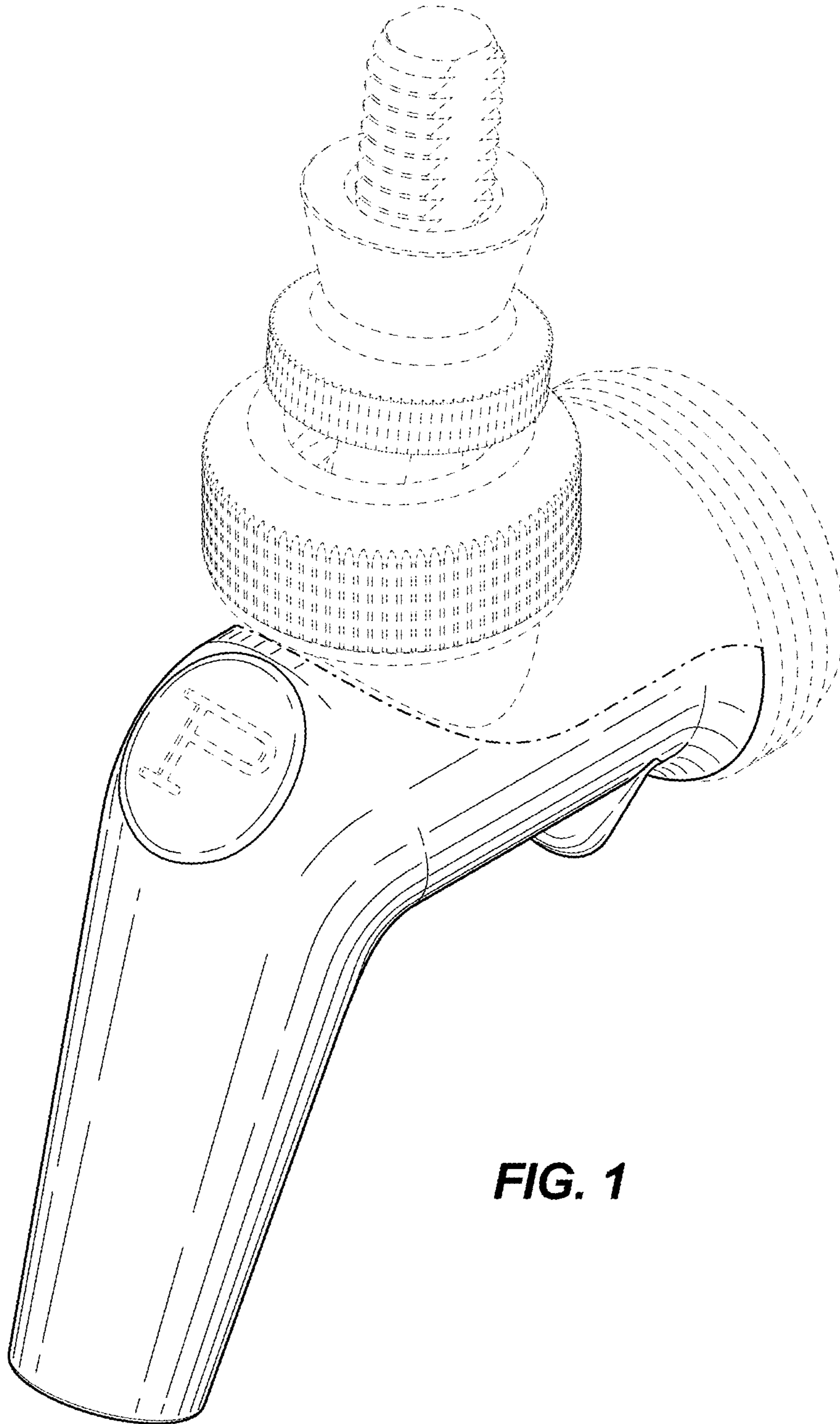
(56)

**References Cited**

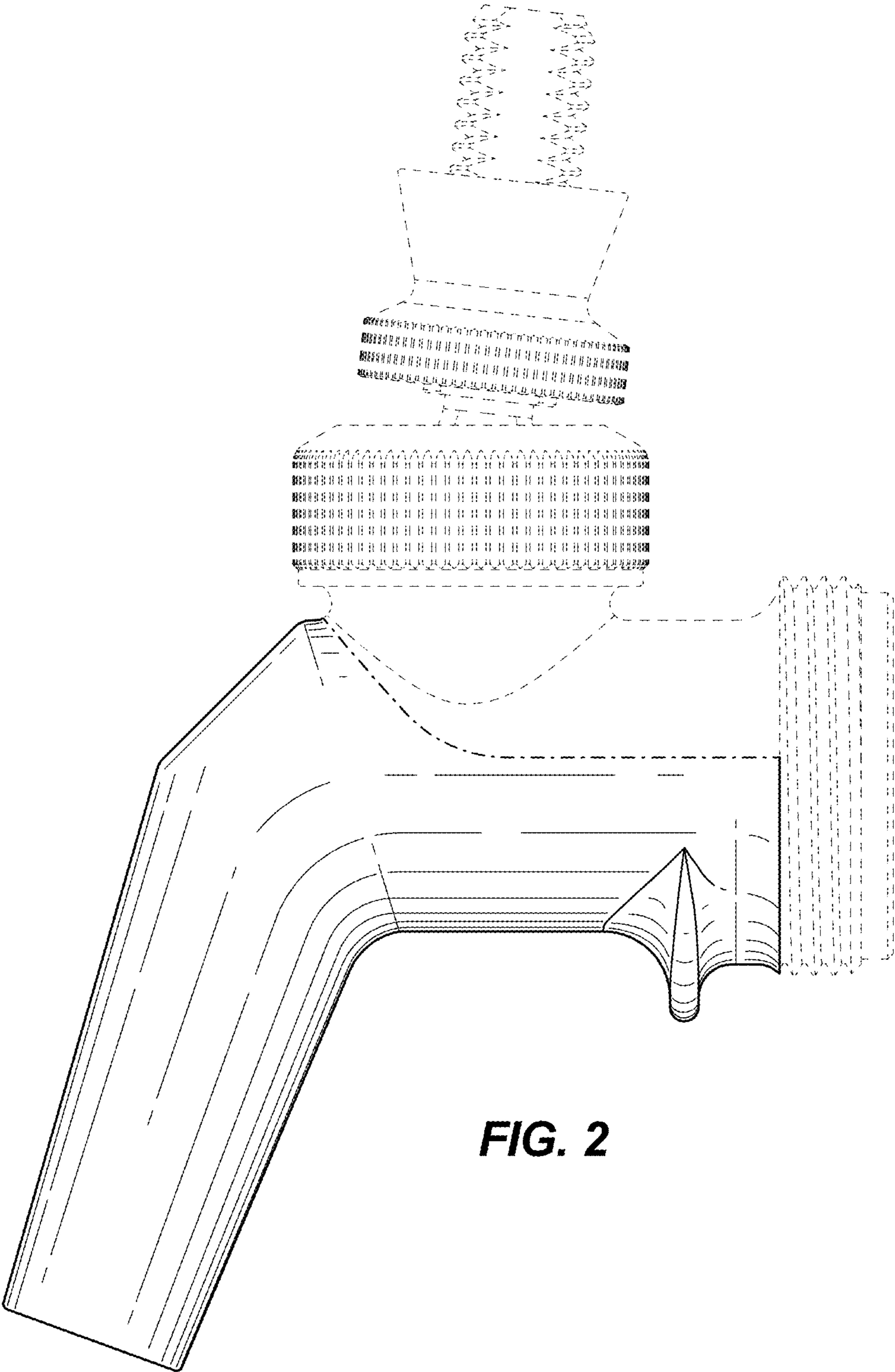
U.S. PATENT DOCUMENTS

D525,828	S	*	8/2006	Daniels, Jr. ....	D7/398
D557,382	S	*	12/2007	Tsai .....	D23/255
D569,162	S	*	5/2008	Gu .....	D7/306
D569,947	S	*	5/2008	Johnson .....	D23/233
D575,104	S	*	8/2008	Sommerfield .....	D7/397
D637,867	S	*	5/2011	Wang .....	D7/397
D640,897	S	*	7/2011	Chung .....	D7/394
D649,226	S	*	11/2011	Obara .....	D23/252
D653,499	S	*	2/2012	Dietterle .....	D7/389
D690,155	S	*	9/2013	Rupp .....	D7/301
D703,990	S	*	5/2014	Henderson .....	D7/306
D708,717	S	*	7/2014	Toftegaard .....	D23/255
D717,918	S	*	11/2014	Standefer .....	D23/252
D719,645	S	*	12/2014	Starck .....	D23/255
D731,838	S	*	6/2015	Kitano .....	D7/306
D732,326	S	*	6/2015	Kitano .....	D7/306
D757,904	S	*	5/2016	Rexach .....	D23/238

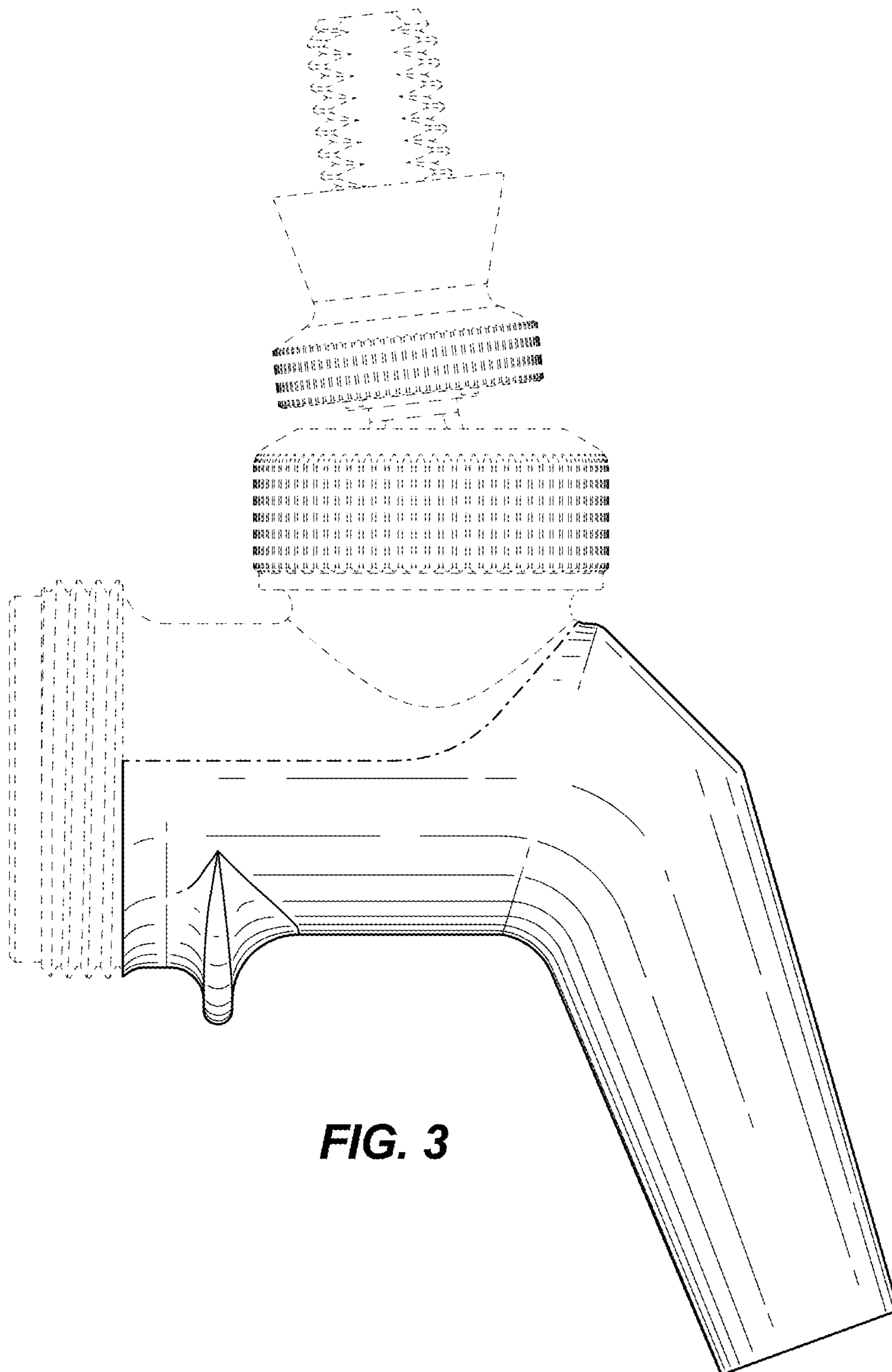
\* cited by examiner



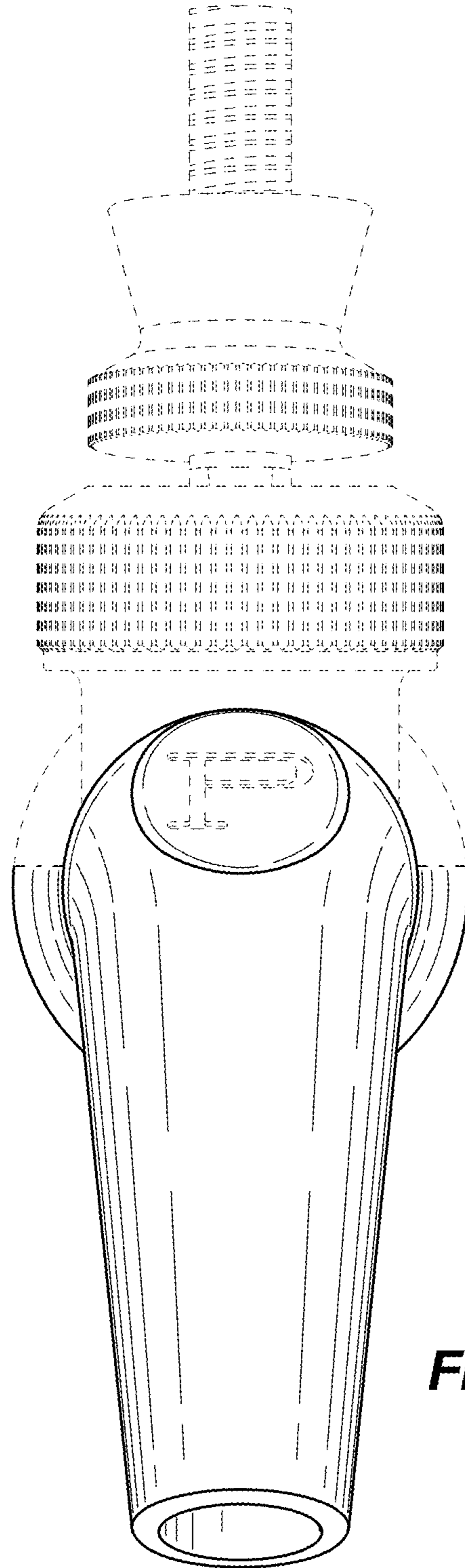
**FIG. 1**



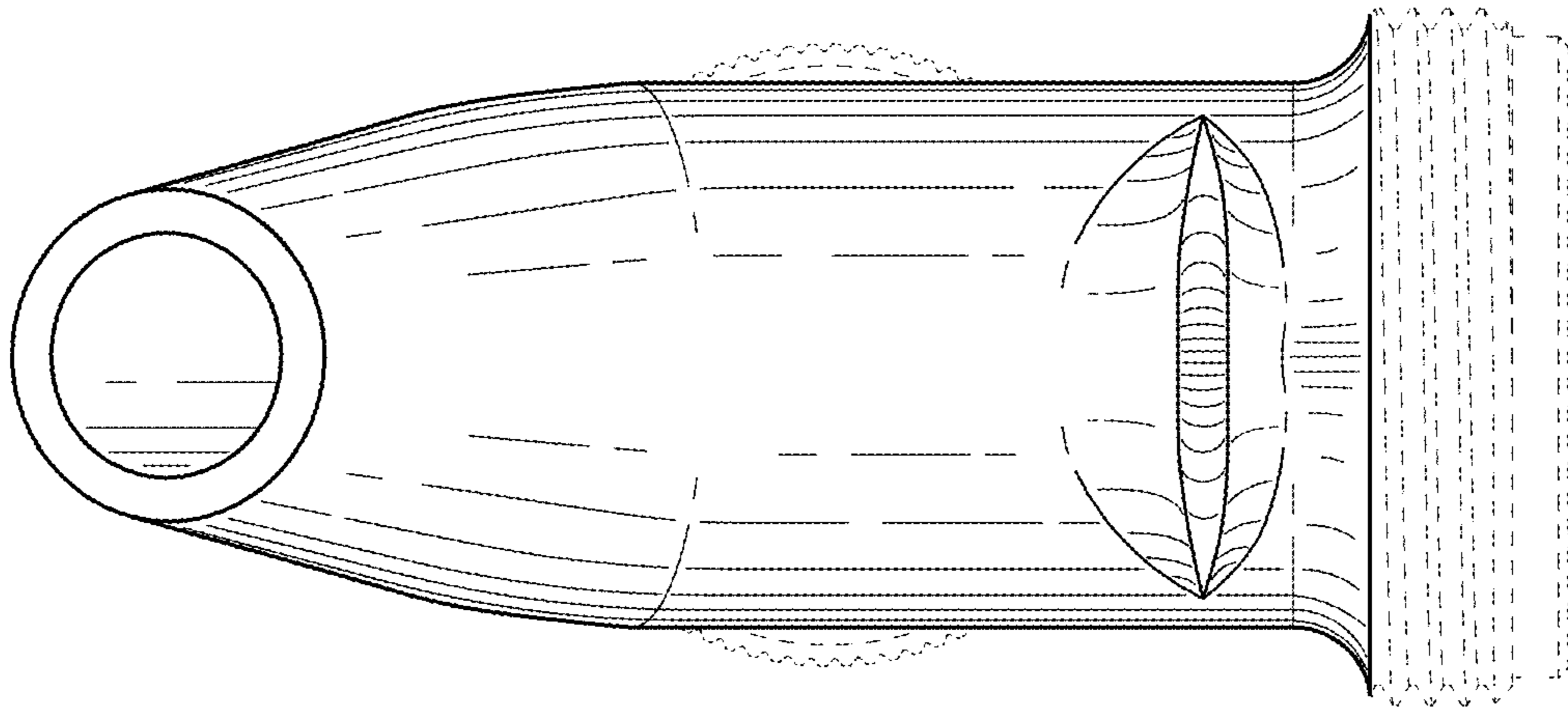
**FIG. 2**



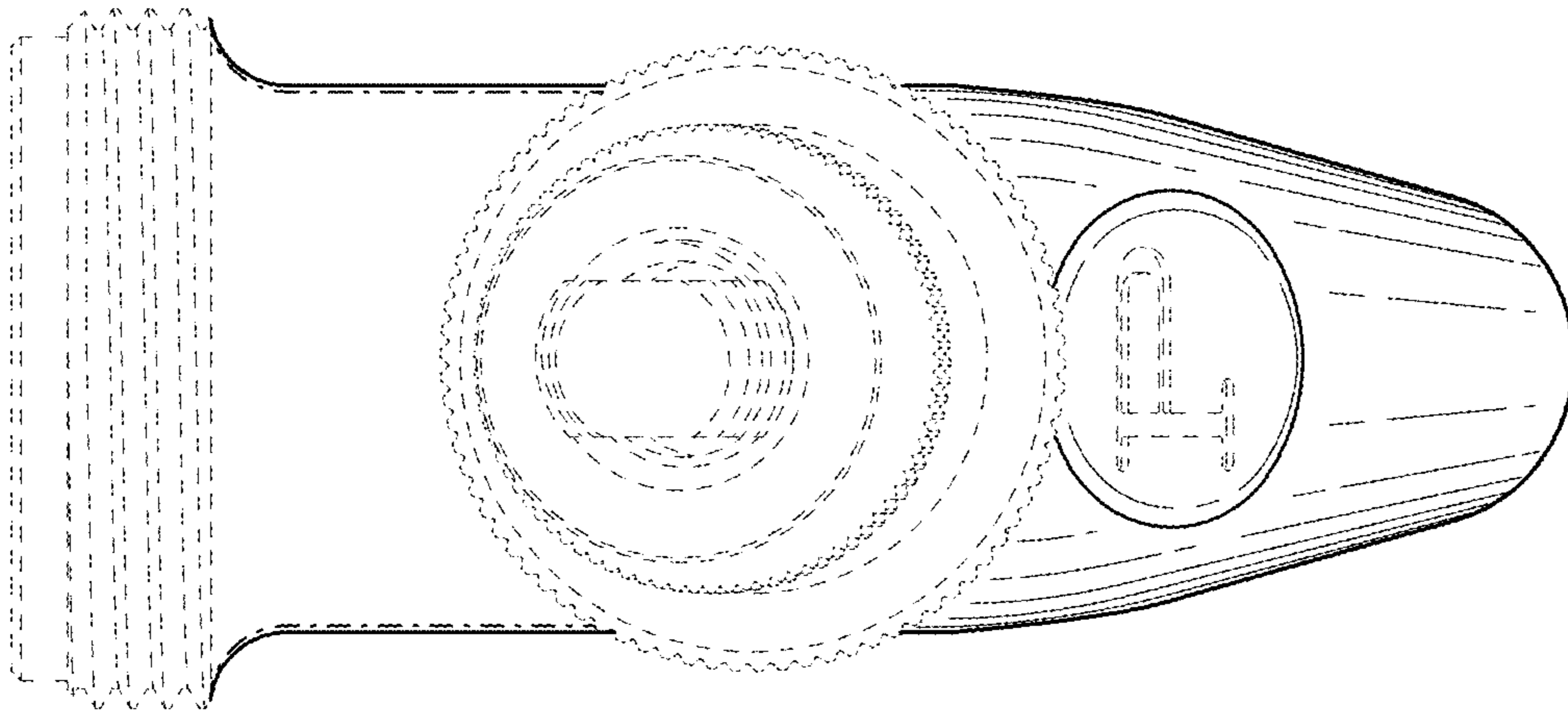
**FIG. 3**



**FIG. 4**



**FIG. 6**



**FIG. 5**

UNITED STATES PATENT AND TRADEMARK OFFICE  
**CERTIFICATE OF CORRECTION**

PATENT NO. : D790,914 S  
APPLICATION NO. : 29/530792  
DATED : July 4, 2017  
INVENTOR(S) : Gennady Arov et al.

Page 1 of 1

It is certified that error appears in the above-identified patent and that said Letters Patent is hereby corrected as shown below:

On the Title Page

Please insert:

--(30) Foreign Application Priority Data  
November 6, 2014 (CA) ..... 159345--

Signed and Sealed this  
Twenty-sixth Day of September, 2017



Joseph Matal  
*Performing the Functions and Duties of the  
Under Secretary of Commerce for Intellectual Property and  
Director of the United States Patent and Trademark Office*