



US00D790913S

(12) **United States Design Patent** (10) **Patent No.:** **US D790,913 S**
Stover et al. (45) **Date of Patent:** **** Jul. 4, 2017**

(54) **STRAW HOLDER**
(71) Applicant: **IGNITE USA, LLC**, Chicago, IL (US)
(72) Inventors: **Craig Stover**, Chicago, IL (US);
Robert C. Coon, Chicago, IL (US);
Paul D. Hurley, Libertyville, IL (US)
(73) Assignee: **IGNITE USA, LLC**, Chicago, IL (US)

D757,476 S * 5/2016 O'Neill D7/300.2
D758,792 S * 6/2016 Karussi D7/392.1
D768,484 S * 10/2016 Marina D9/443
(Continued)

(**) Term: **15 Years**
(21) Appl. No.: **29/557,030**

FOREIGN PATENT DOCUMENTS

JP 2013224178 A * 10/2013
WO WO 2005118422 A1 * 12/2005 A47G 19/2222

(22) Filed: **Mar. 4, 2016**
(51) **LOC (10) Cl.** **31-00**
(52) **U.S. Cl.**
USPC **D7/396.2**
(58) **Field of Classification Search**
USPC ... D7/509-511, 543, 396.2, 300.2, 608, 605;
D9/525, 523, 530, 551, 435, 528
CPC A45F 3/16; A45F 3/18; A45F 22/00; A45F
22/0583; A47G 19/22; A47G 19/2205;
A47G 19/2288; A47G 19/2272; A47G
19/2222; B65D 43/00; B65D 23/102;
B65D 41/26; B65D 41/04; B65D 1/02;
B65D 1/06

OTHER PUBLICATIONS

Christmas Special Price!!!—SeeNature Stainless Steel Tumbler—
30oz, Double Wall, Vacuum Insulated Keeps Your Drink Hot
Longer—Cup, Lid & Straw, Coffee Travel Mug Set, posted at
Amazon.com, posted on May 5, 2016, site visited Dec. 1, 2016,
<<https://www.amazon.com/SeeNature-Stainless-Tumbler-Double-Insulated/dp/B01F6YOXI4>>.*

See application file for complete search history.

(Continued)

Primary Examiner — Barbara Fox
Assistant Examiner — Messina L Smith
(74) *Attorney, Agent, or Firm* — Marshall, Gerstein &
Borun LLP

(56) **References Cited**

U.S. PATENT DOCUMENTS

5,048,709 A * 9/1991 Alverson B65D 77/28
215/229
5,325,982 A * 7/1994 Cobb, Jr. A47G 19/2266
215/228
6,010,034 A * 1/2000 Walthers A47G 19/2266
222/129
6,269,985 B1 * 8/2001 Brody B65D 83/303
222/538
D517,913 S * 3/2006 Mouyos D9/434
D744,277 S * 12/2015 Kostler D7/396.2
D752,381 S * 3/2016 Wahl D7/392.1

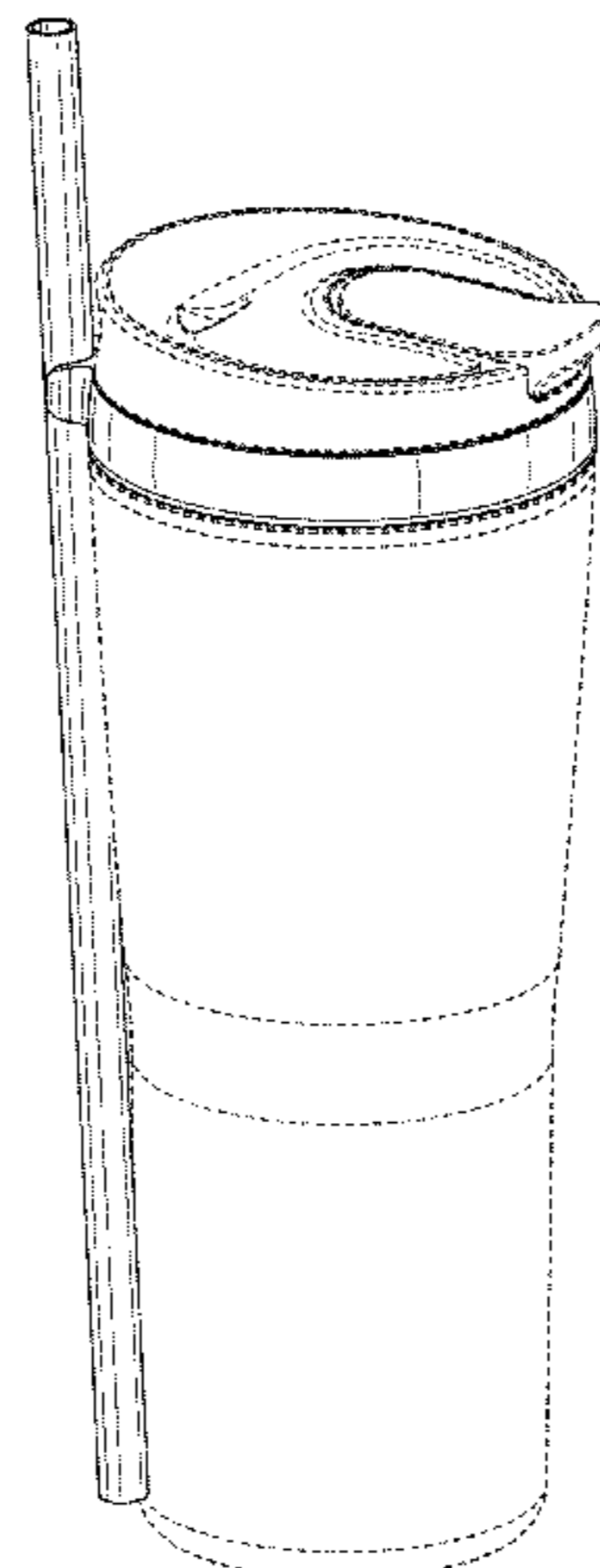
(57) **CLAIM**

The ornamental design for a straw holder, as shown and
described.

DESCRIPTION

FIG. 1 is a top perspective view of a straw holder showing
our new design;
FIG. 2 is a right side view thereof;
FIG. 3 is a left side view thereof;
FIG. 4 is a rear view thereof;
FIG. 5 is a front view thereof;
FIG. 6 is a top view thereof; and,
FIG. 7 is a bottom view thereof.
The broken lines shown in the drawings are included for the
purpose of illustrating environmental structure and form no
part of the claimed design.

1 Claim, 6 Drawing Sheets



(56)

References Cited

U.S. PATENT DOCUMENTS

2002/0088870 A1* 7/2002 Banach A47G 21/18
239/33
2012/0205389 A1* 8/2012 Beary A47G 19/2222
220/708
2013/0032606 A1* 2/2013 Lafever A47G 21/182
220/710

OTHER PUBLICATIONS

Boroux Climate Series 20oz Insulated Stainless Steel Tumbler Cups with Extra Wide Stainless steel Straw—Petal Pink, posted at Amazon.com, posted on Nov. 1, 2016, site visited Dec. 1, 2016, <<https://www.amazon.com/dp/B01MQCBWFD?psc=1>>.*

How to clean crevices of electronics without compressed air?, posted at Lifehacks.com, posted on Dec. 31, 2014, site visited Dec. 1, 2016, <<http://lifehacks.stackexchange.com/questions/2409/how-to-clean-crevices-of-electronics-without-compressed-air>>.*

* cited by examiner

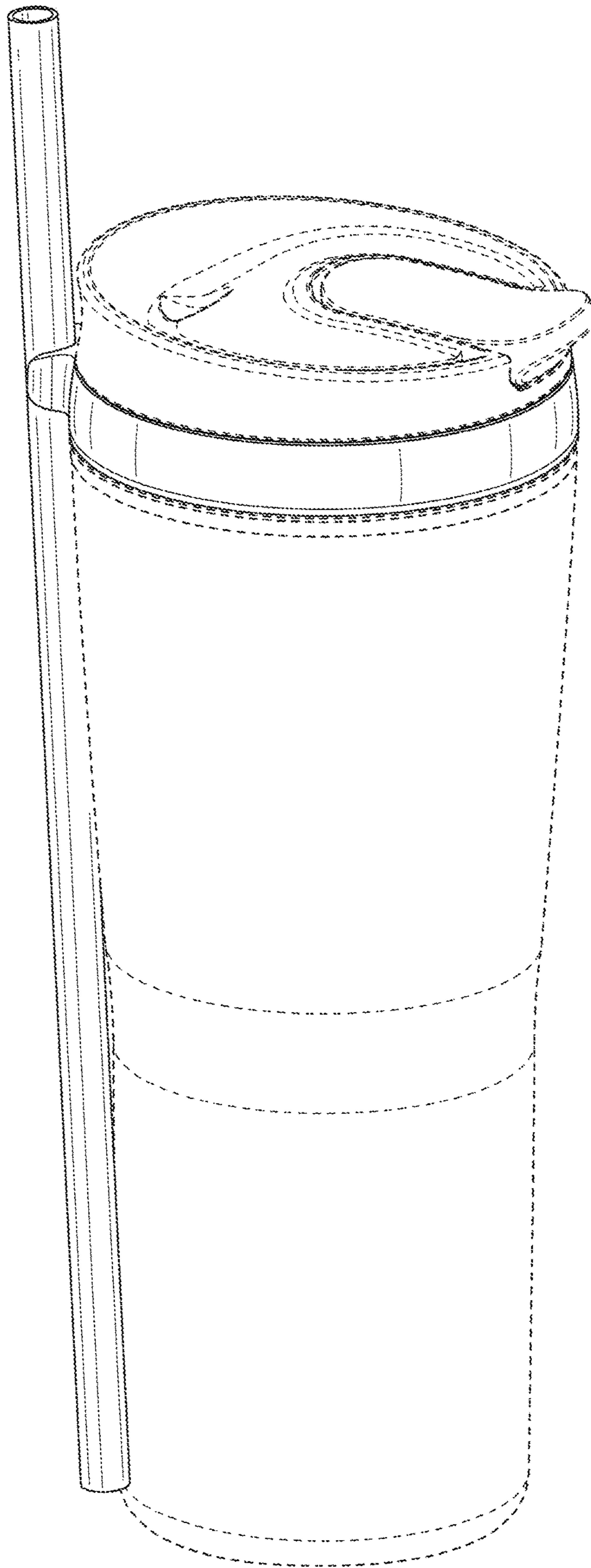


FIG. 1

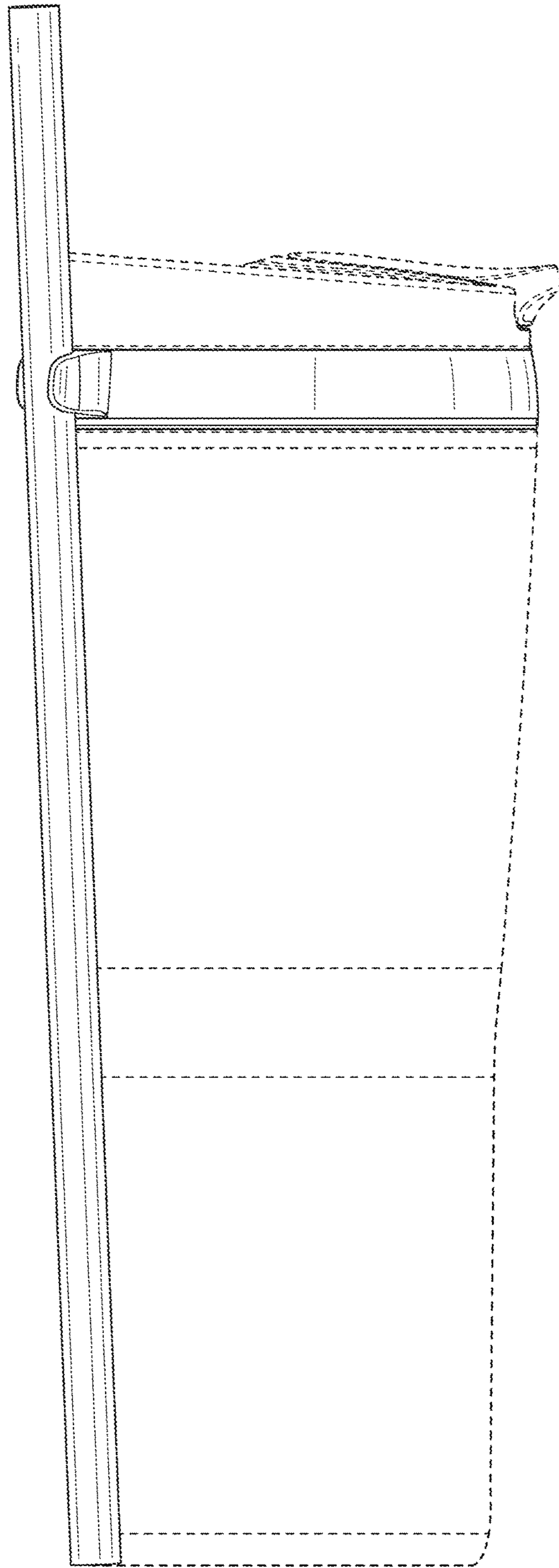


FIG. 2

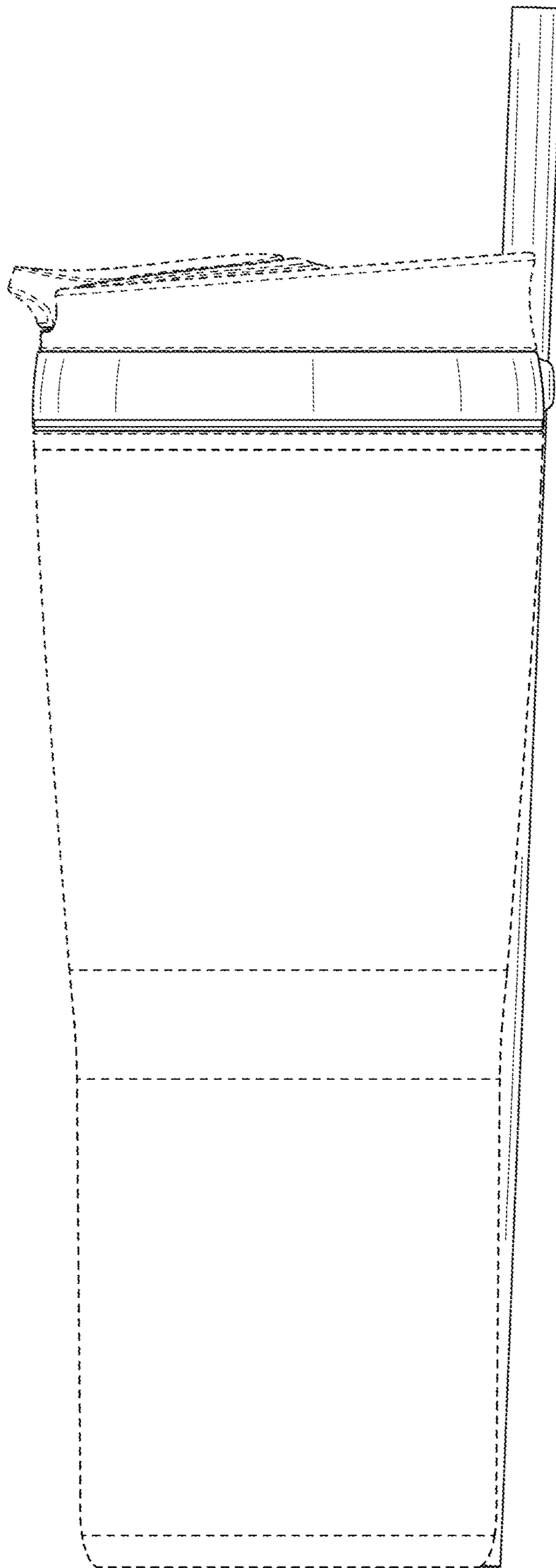


FIG. 3

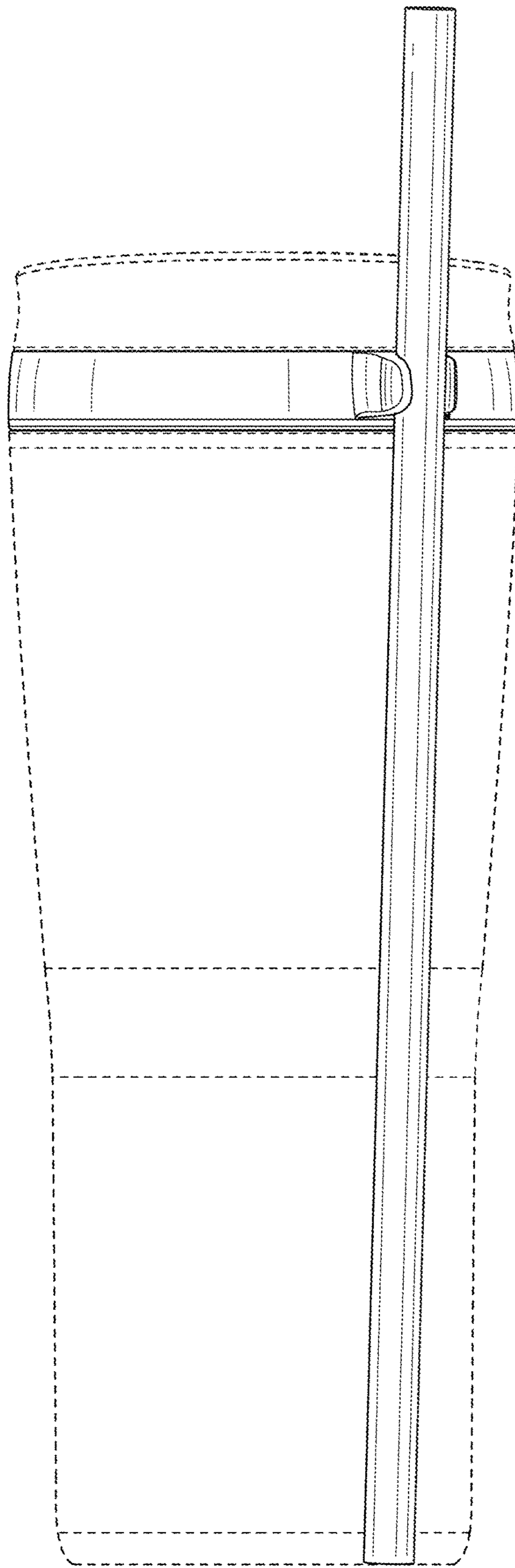


FIG. 4

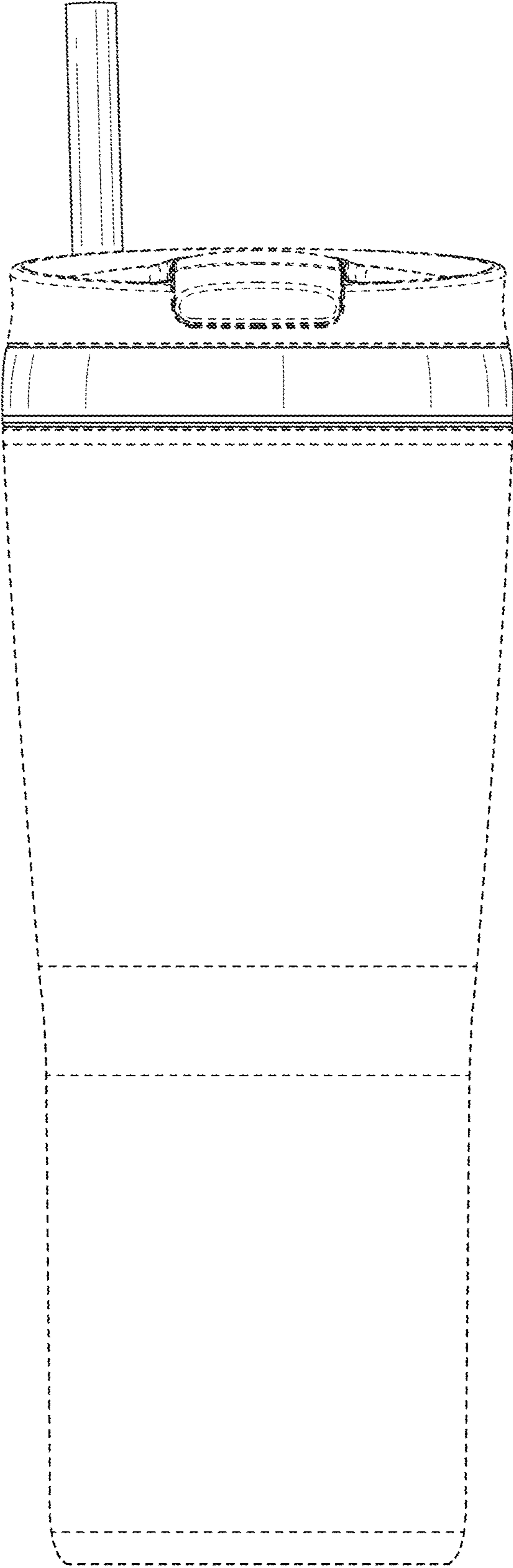


FIG. 5

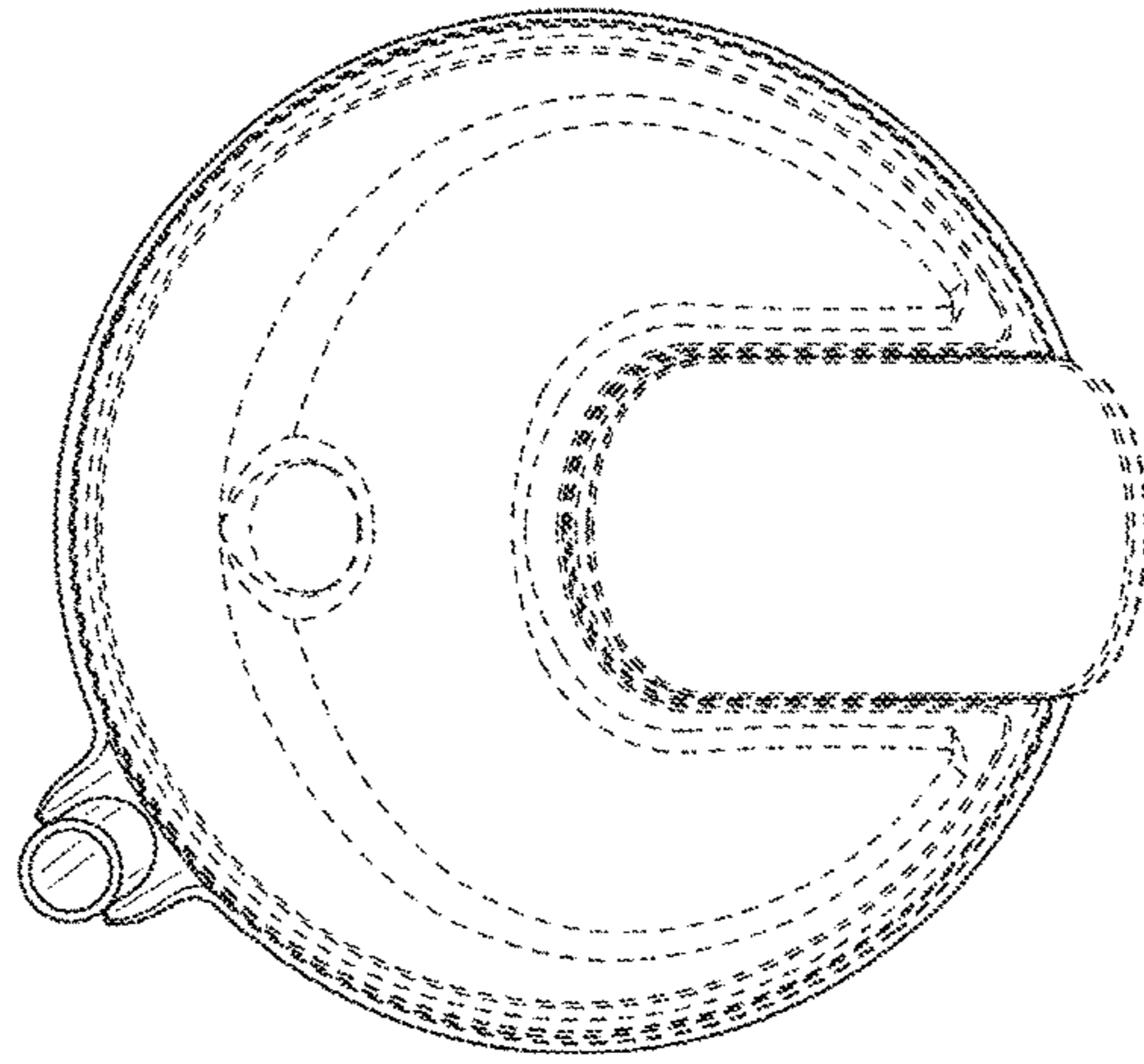


FIG. 6

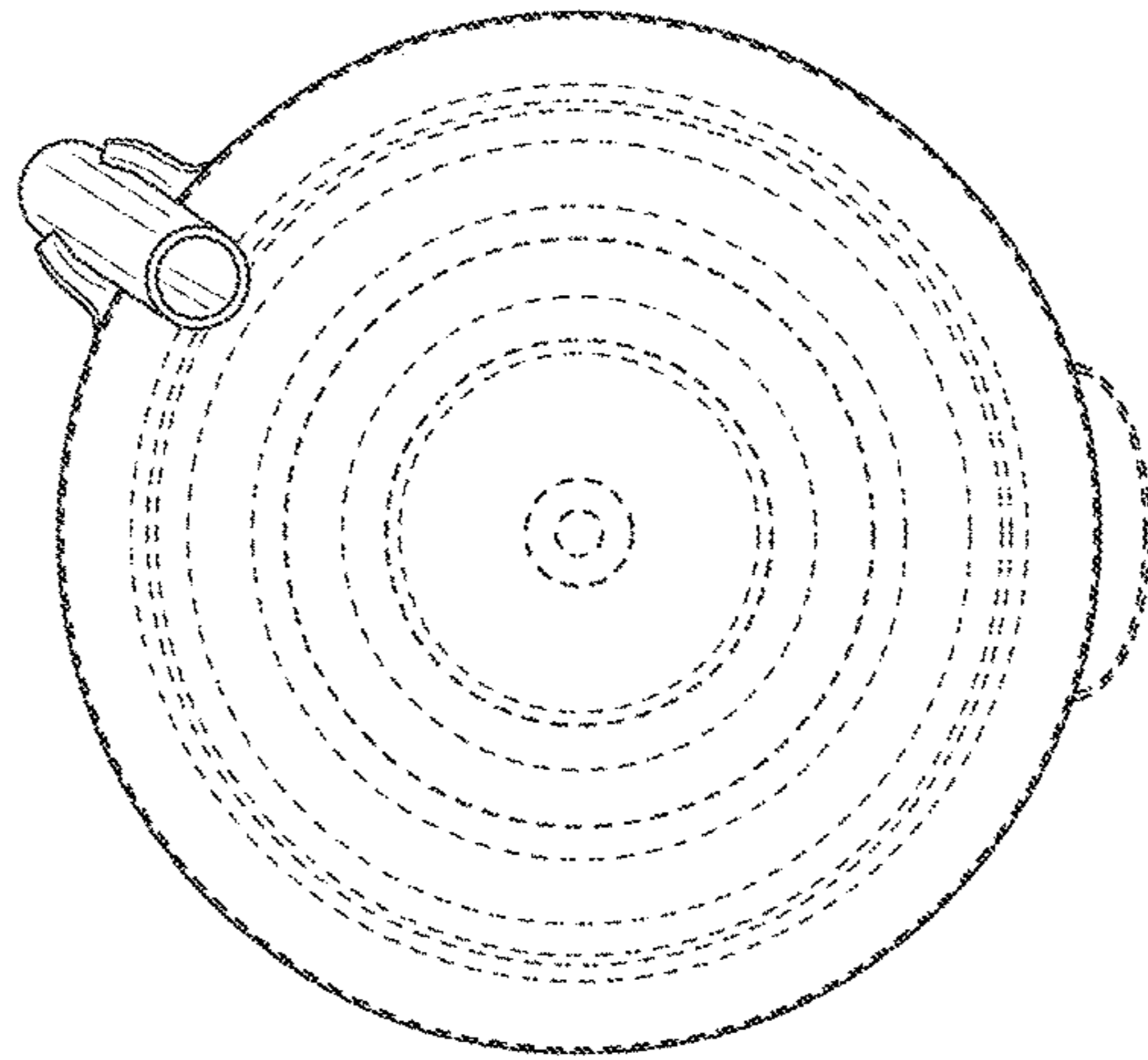


FIG. 7