



US00D790912S

(12) **United States Design Patent** (10) **Patent No.:** **US D790,912 S**
Joseph et al. (45) **Date of Patent:** **** Jul. 4, 2017**

(54) **LID FOR A BEVERAGE CONTAINER**
(71) Applicant: **Ignite USA, LLC**, Chicago, IL (US)
(72) Inventors: **David Joseph**, St. Charles, IL (US);
Blair Miller, Chicago, IL (US)

D630,044 S * 1/2011 Lane D7/392.1
D650,629 S * 12/2011 Gilbert D7/392.1
D651,044 S * 12/2011 Gilbert D7/510
D680,805 S * 4/2013 Rosbach D7/392.1
D683,590 S * 6/2013 Austin D7/510
D767,390 S * 9/2016 Miksovsky D7/392.1
D774,826 S * 12/2016 Boroski D7/510

(73) Assignee: **IGNITE USA, LLC**, Chicago, IL (US)

OTHER PUBLICATIONS

(**) Term: **15 Years**

Design U.S. Appl. No. 29/546,488, filed Nov. 23, 2015 entitled
“Beverage Container”, Inventor: David Joseph et al.

(21) Appl. No.: **29/545,561**

Design U.S. Appl. No. 29/544,405, filed Nov. 3, 2015 entitled “Lid
for a Beverage Container”, Inventor: Bryan Washburn et al.

(22) Filed: **Nov. 13, 2015**

Design U.S. Appl. No. 29/544,516, filed Nov. 4, 2015 entitled
“Beverage Container With Storage”, Inventor: Bryan Washburn et
al.

(51) **LOC (10) Cl.** **07-02**

(52) **U.S. Cl.**
USPC **D7/391**

Hydroflax, 64oz Growler, filed on or before Nov. 4, 2015, 1 page.
Innate Craft, 64oz Growler, filed on or before Nov. 4, 2015, 1 page.
Miiir, 64oz Growler, filed on or before Nov. 4, 2015, 1 page.

(58) **Field of Classification Search**
USPC D7/372, 376–386, 391, 392.1, 412–413,
D7/510, 602, 629, 665–666, 669, 679,
D7/693–694; D9/446

* cited by examiner

CPC A21C 1/02; A21C 1/04; A23N 1/00; A23N
1/02; A47J 43/04; A47J 43/25; A47J
43/27; A47J 43/042; A47J 43/044; A47J
43/046; A47J 43/075; A47J 43/0722;
A47J 43/0727; B01F 3/00; B01F 3/0807;
B01F 3/0853; B01F 13/0059; B01F
13/0064; B02C 1/08; B02C 2/04; B02C
4/42; B02C 4/142; B02C 4/143; B02C
4/423; B02C 13/1835; B28C 5/10; B28C
5/12; B28C 5/14; B28C 5/16

Primary Examiner — Ricky Pham

See application file for complete search history.

(57) **CLAIM**

(56) **References Cited**

The ornamental design for a “lid for a beverage container,”
as shown and described.

U.S. PATENT DOCUMENTS

DESCRIPTION

D364,810 S * 12/1995 Meisner D9/446
D475,923 S * 6/2003 Renz D9/446
D529,338 S * 10/2006 Poulson D7/510
D536,929 S * 2/2007 Kingsley D7/510
D605,942 S * 12/2009 Miksovsky D9/446

FIG. 1 is a perspective view of a lid for a beverage container
showing a new design;

FIG. 2 is a top view thereof;

FIG. 3 is a bottom view thereof;

FIG. 4 is a left view thereof;

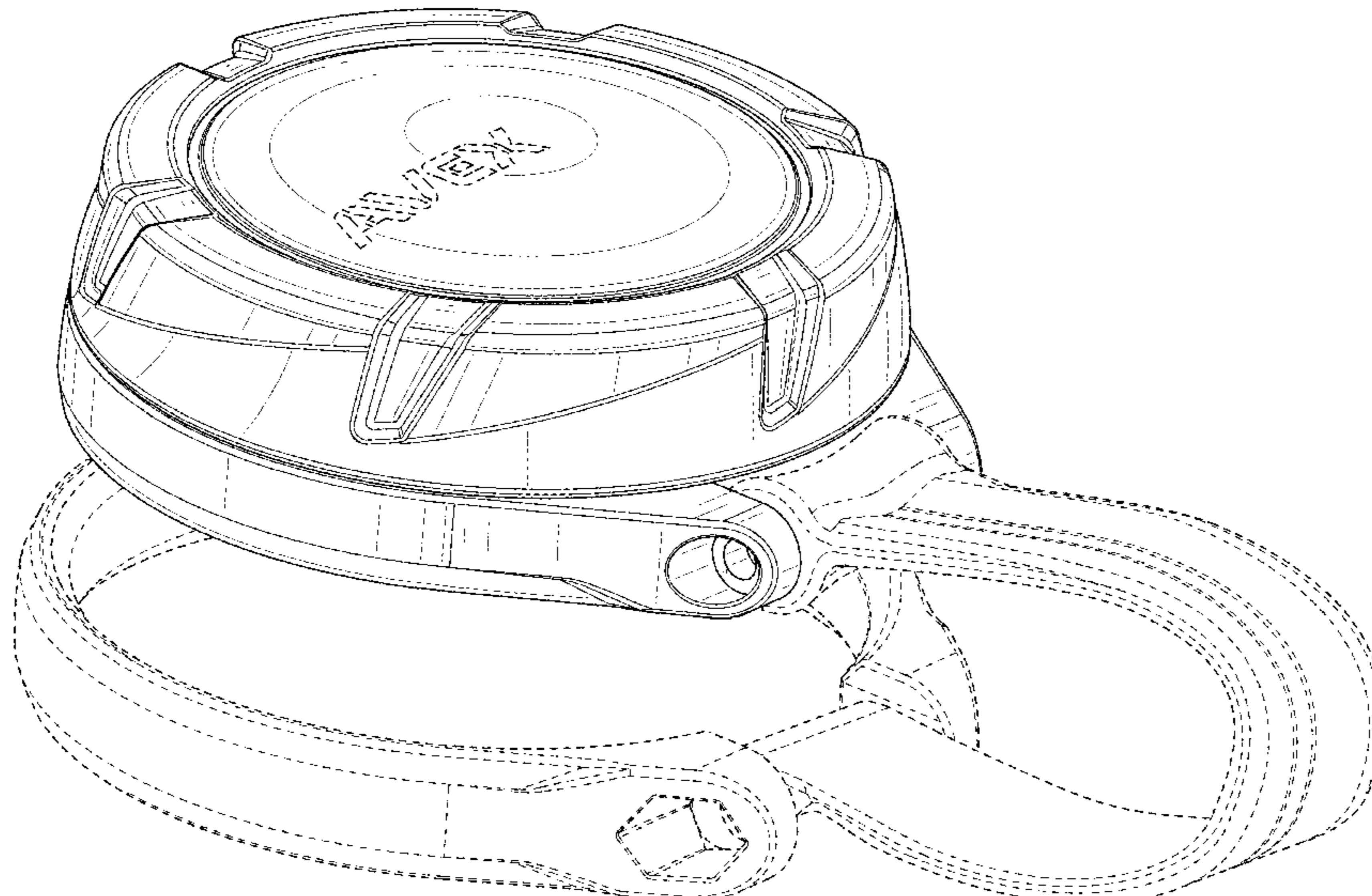
FIG. 5 is a right view thereof;

FIG. 6 is a front view thereof; and,

FIG. 7 is a back view thereof.

The subject matter shown in dashed lines is for illustrative
purposes and forms no part of the claimed design.

1 Claim, 7 Drawing Sheets



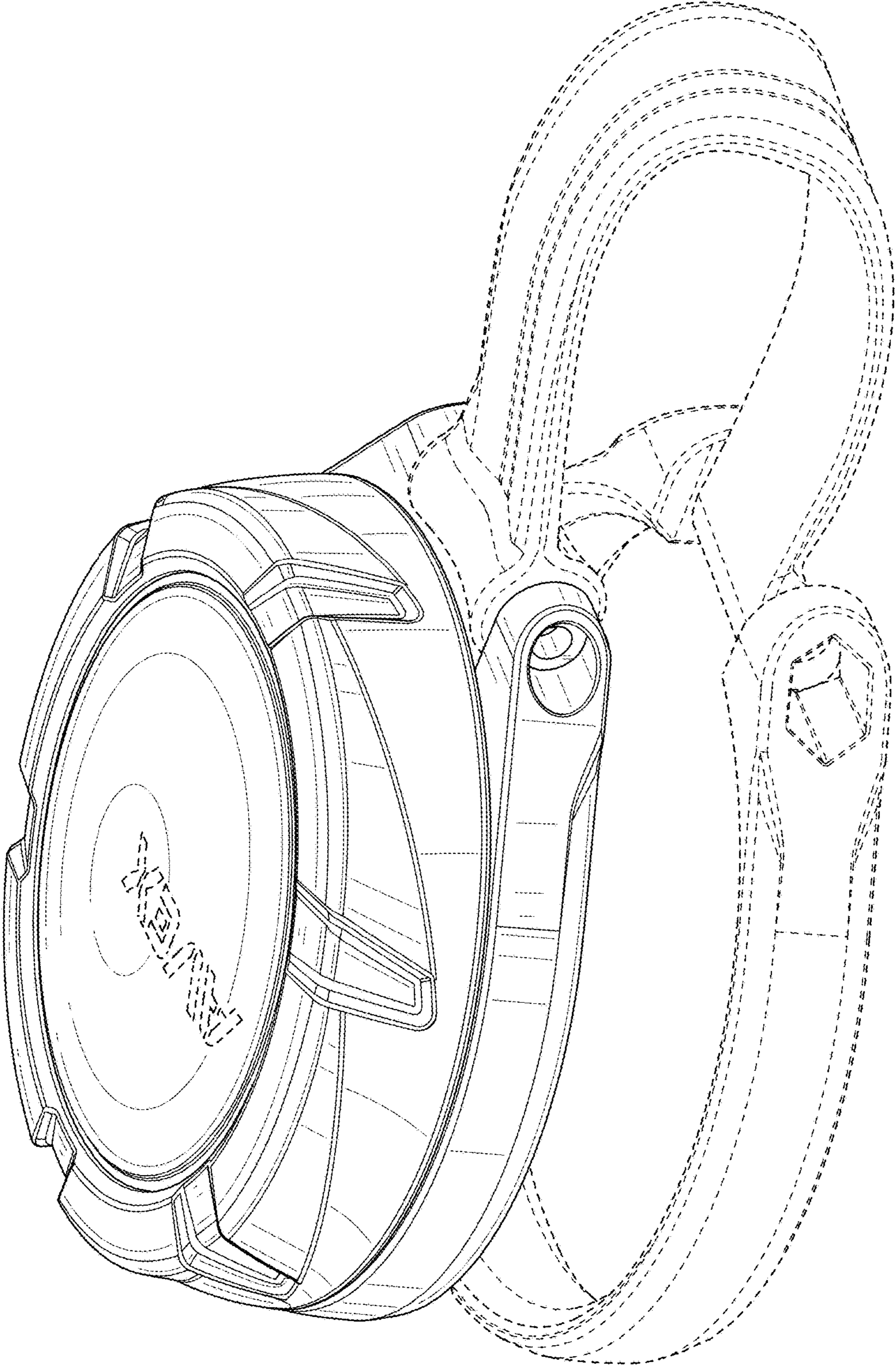


FIG. 1

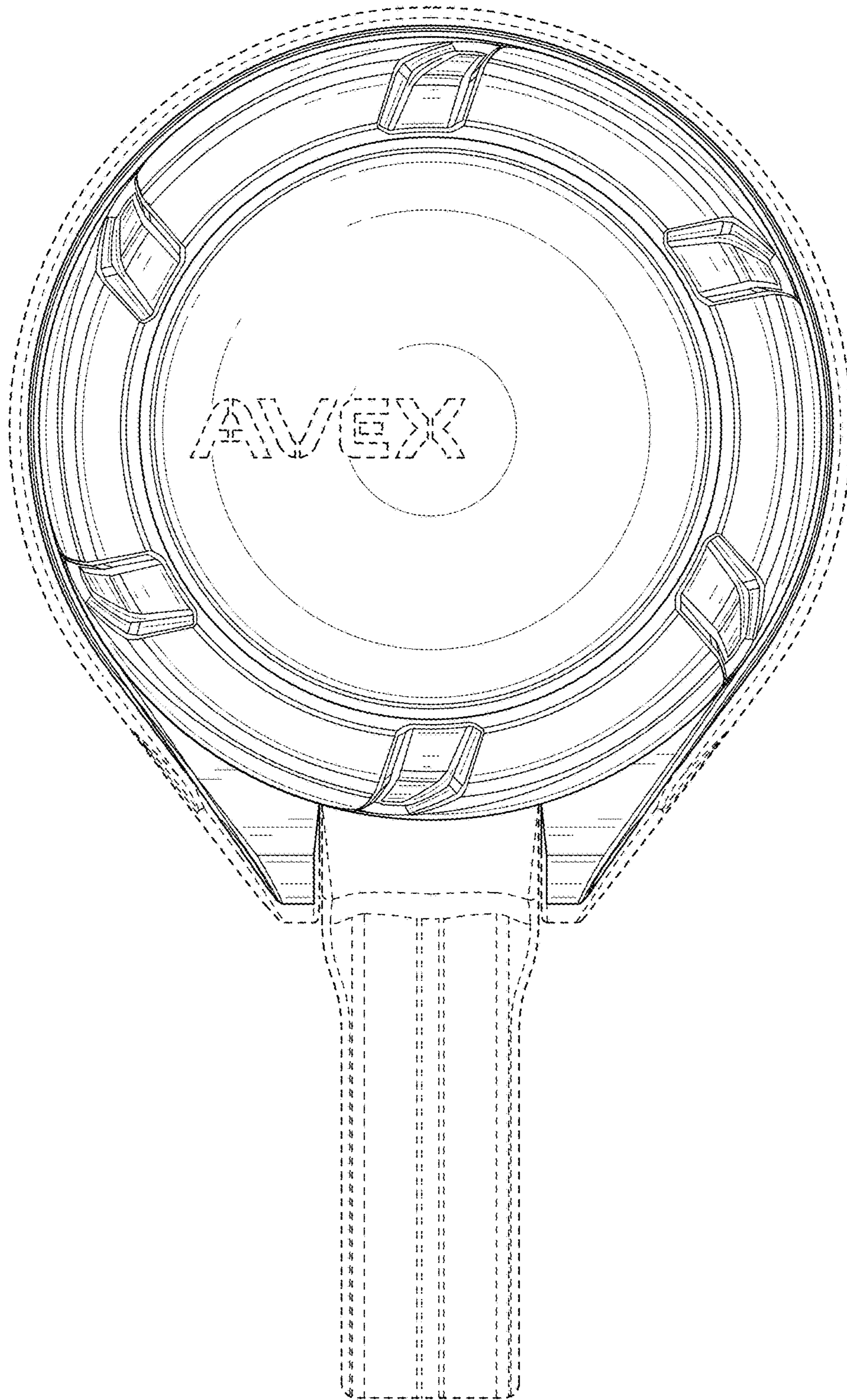


FIG. 2

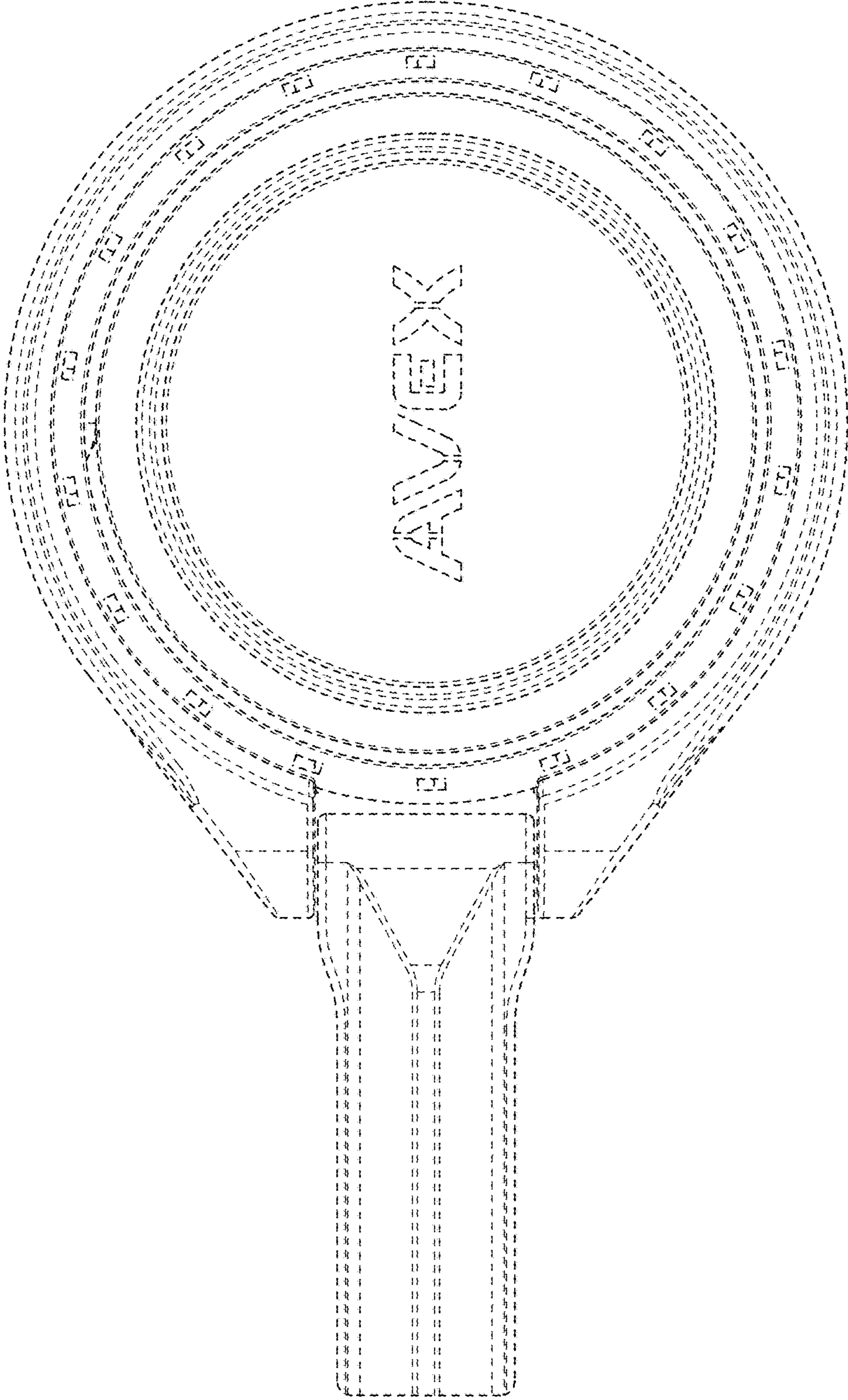


FIG. 3

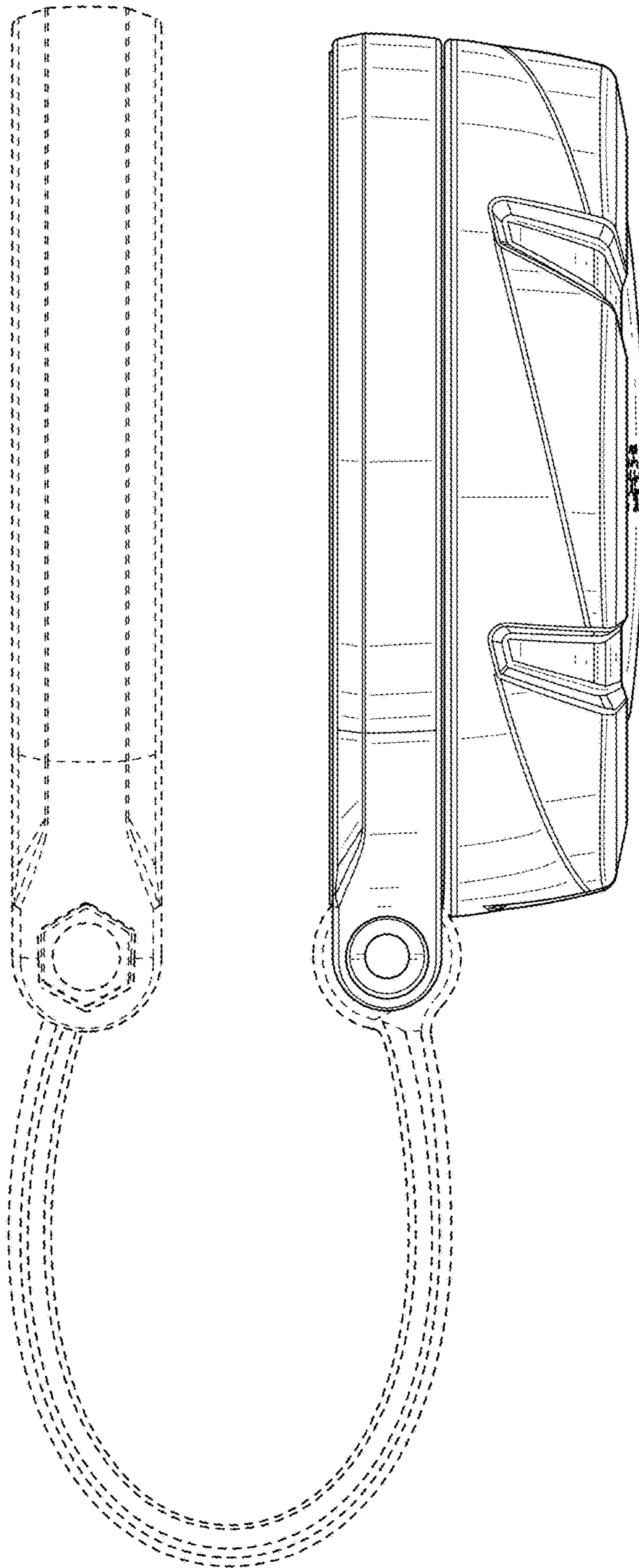


FIG. 4

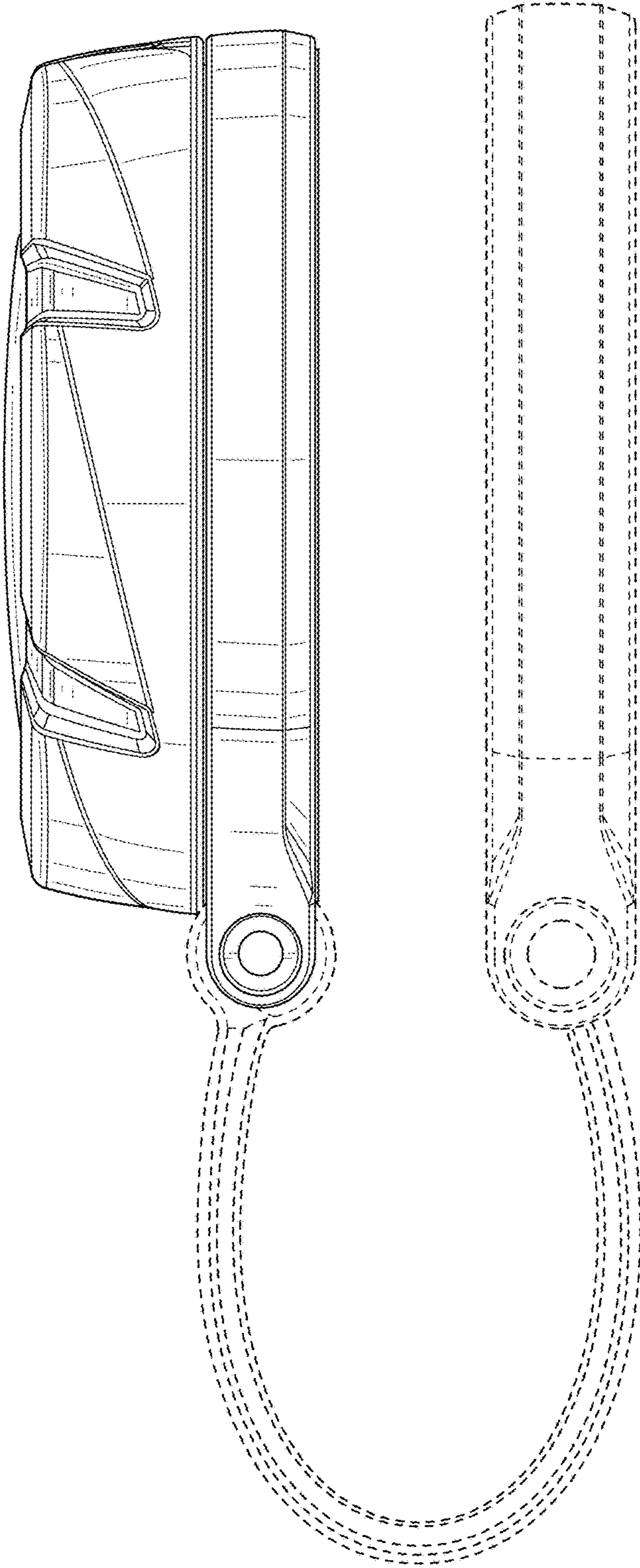


FIG. 5

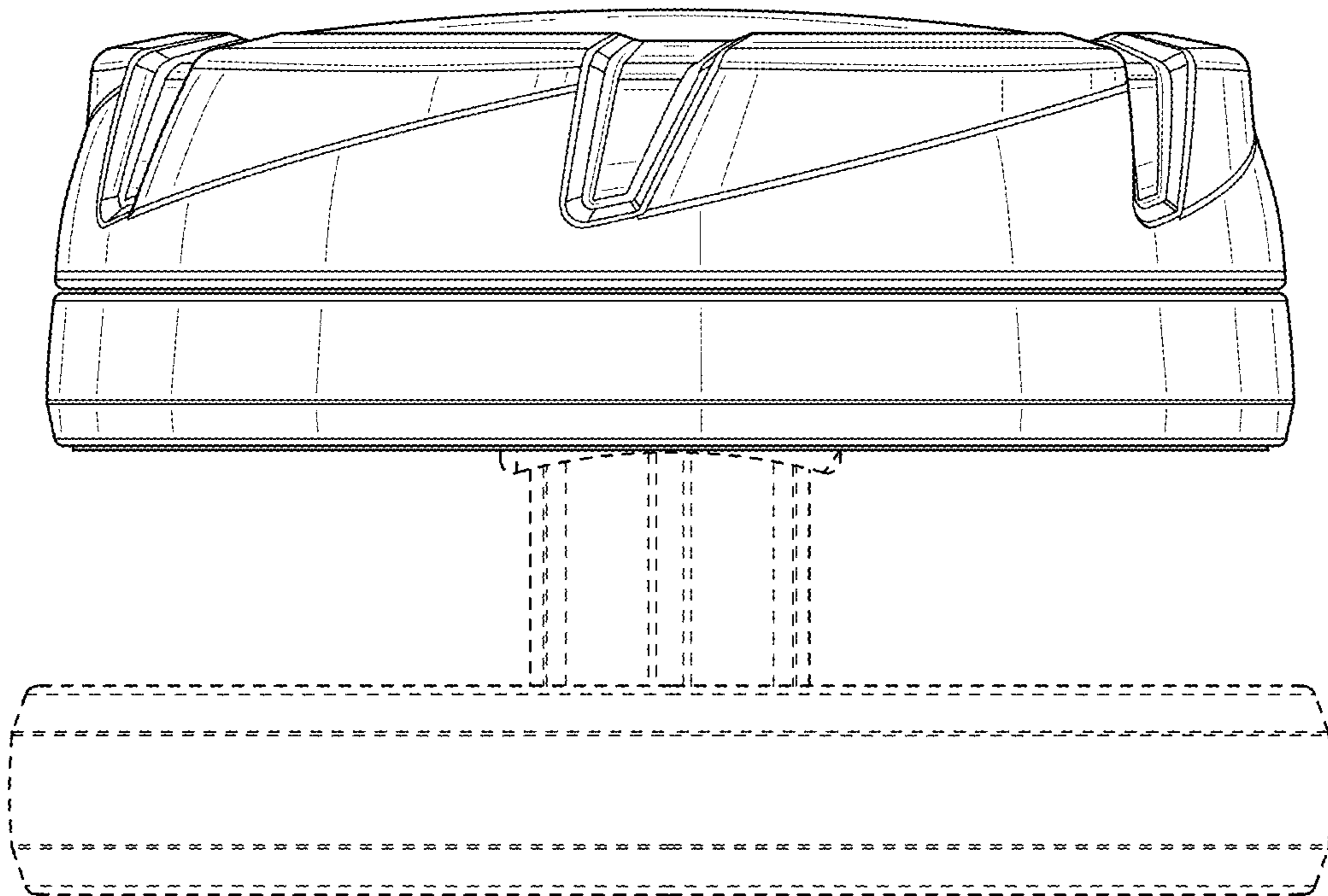


FIG. 6

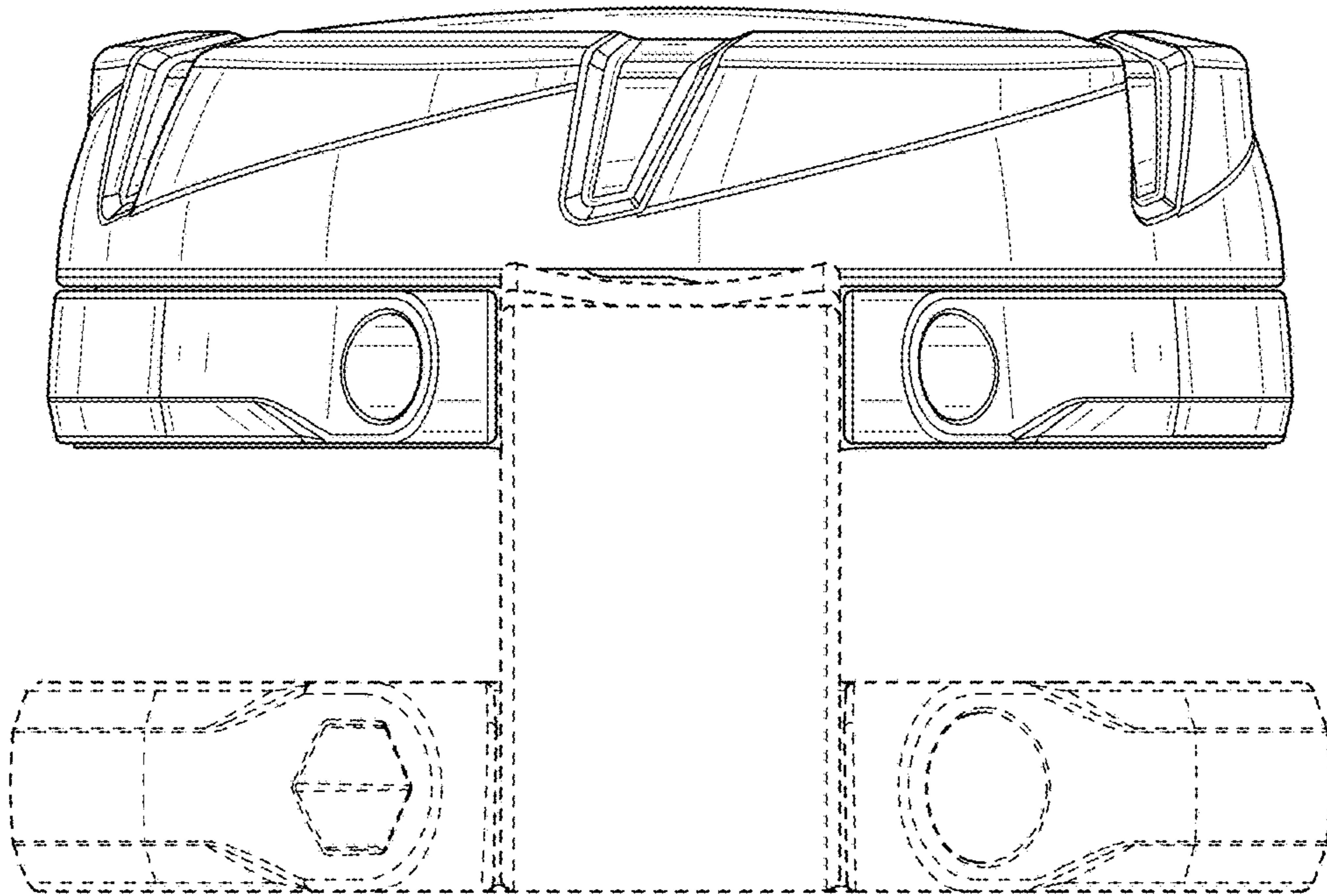


FIG. 7