



US00D790909S

(12) **United States Design Patent** (10) **Patent No.:** **US D790,909 S**  
**Mirchandani et al.** (45) **Date of Patent:** **\*\* Jul. 4, 2017**

- (54) **PAN**
- (71) Applicants: **TRISTAR PRODUCTS, INC.**,  
Fairfield, NJ (US); **KE M.O. HOUSE**  
**CO., LTD.**, Shenzhen (CN)
- (72) Inventors: **Keith Mirchandani**, Fairfield, NJ (US);  
**Mo-Tsan Tsai**, Shenzhen (CN)
- (73) Assignees: **Tristar Products, Inc.**, Fairfield, NJ  
(US); **KE M.O. HOUSE CO., LTD.**,  
Shenzhen (CN)
- (\*\*) Term: **15 Years**
- (21) Appl. No.: **29/589,537**
- (22) Filed: **Jan. 3, 2017**

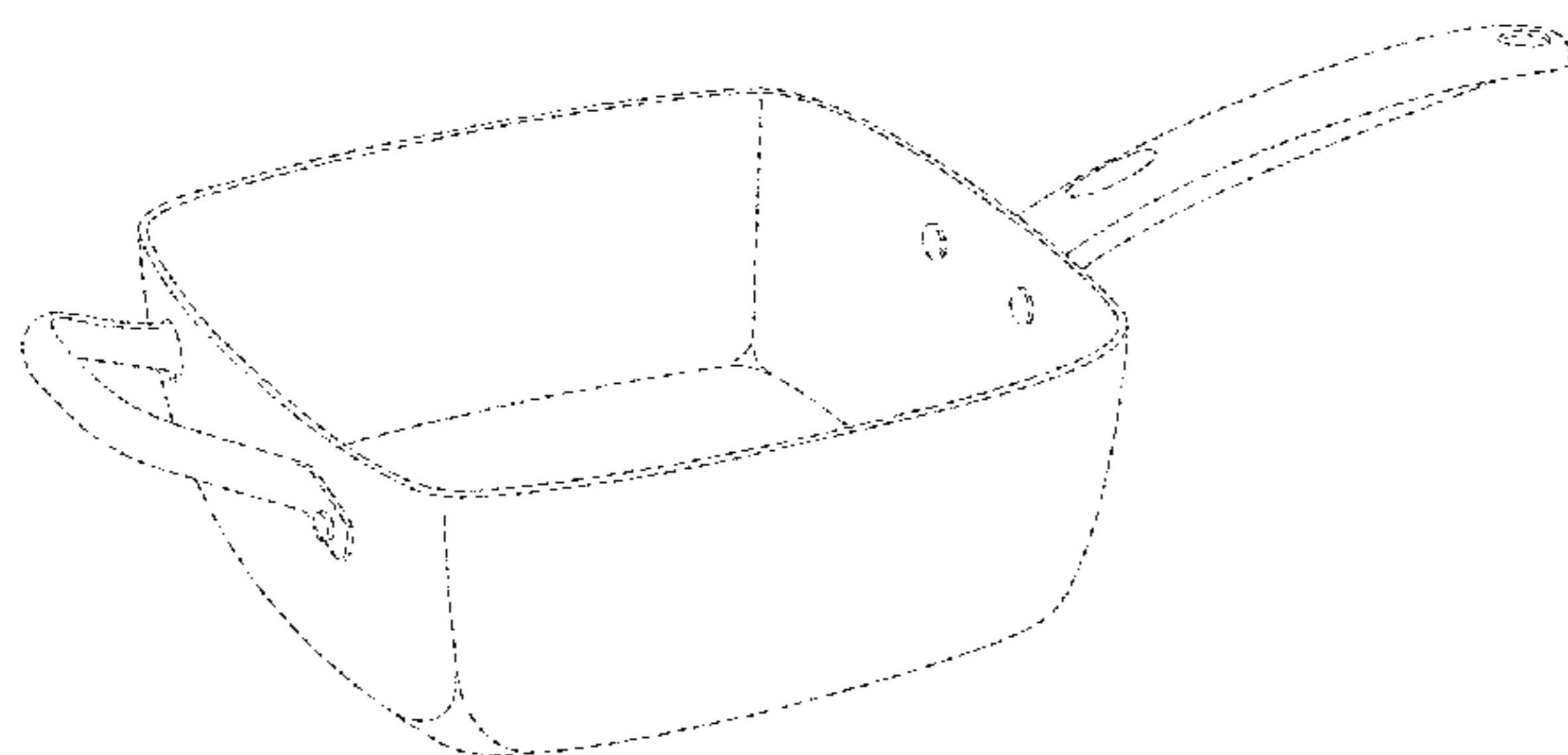
**Related U.S. Application Data**

- (63) Continuation of application No. 29/552,601, filed on  
Jan. 24, 2016, now Pat. No. Des. 778,103, which is a  
(Continued)

(30) **Foreign Application Priority Data**

- Dec. 1, 2015 (CN) ..... 2015 3 0493868
- (51) **LOC (10) Cl.** ..... **07-02**
- (52) **U.S. Cl.**  
USPC ..... **D7/359**; D7/354; D7/360; D7/361
- (58) **Field of Classification Search**  
USPC ..... D7/323, 354–363, 388, 391, 393–396,  
D7/402, 409  
CPC ..... A47G 19/12; A47J 27/00; A47J 27/002;  
A47J 27/08; A47J 27/21; A47J 27/58;  
A47J 36/02; A47J 36/025; A47J 36/06;  
A47J 36/12; A47J 37/00; A47J 37/10;  
A47J 37/101; A47J 37/103; A47J 37/12;  
A47J

(Continued)



- (56) **References Cited**  
U.S. PATENT DOCUMENTS  
D27,936 S \* 12/1897 Schmidt ..... D7/359  
2,085,220 A 12/1936 Howlett  
(Continued)

**FOREIGN PATENT DOCUMENTS**

- CA 144241 S 7/2013
- CN 03353517.5 6/2004  
(Continued)

**OTHER PUBLICATIONS**

Request for Ex Parte Reexamination of U.S. Pat. No. D. 772,641;  
May 3, 2017; 390 pages.  
(Continued)

*Primary Examiner* — Ricky Pham  
(74) *Attorney, Agent, or Firm* — Adler Pollock &  
Sheehan P.C.; Daniel J. Holmander

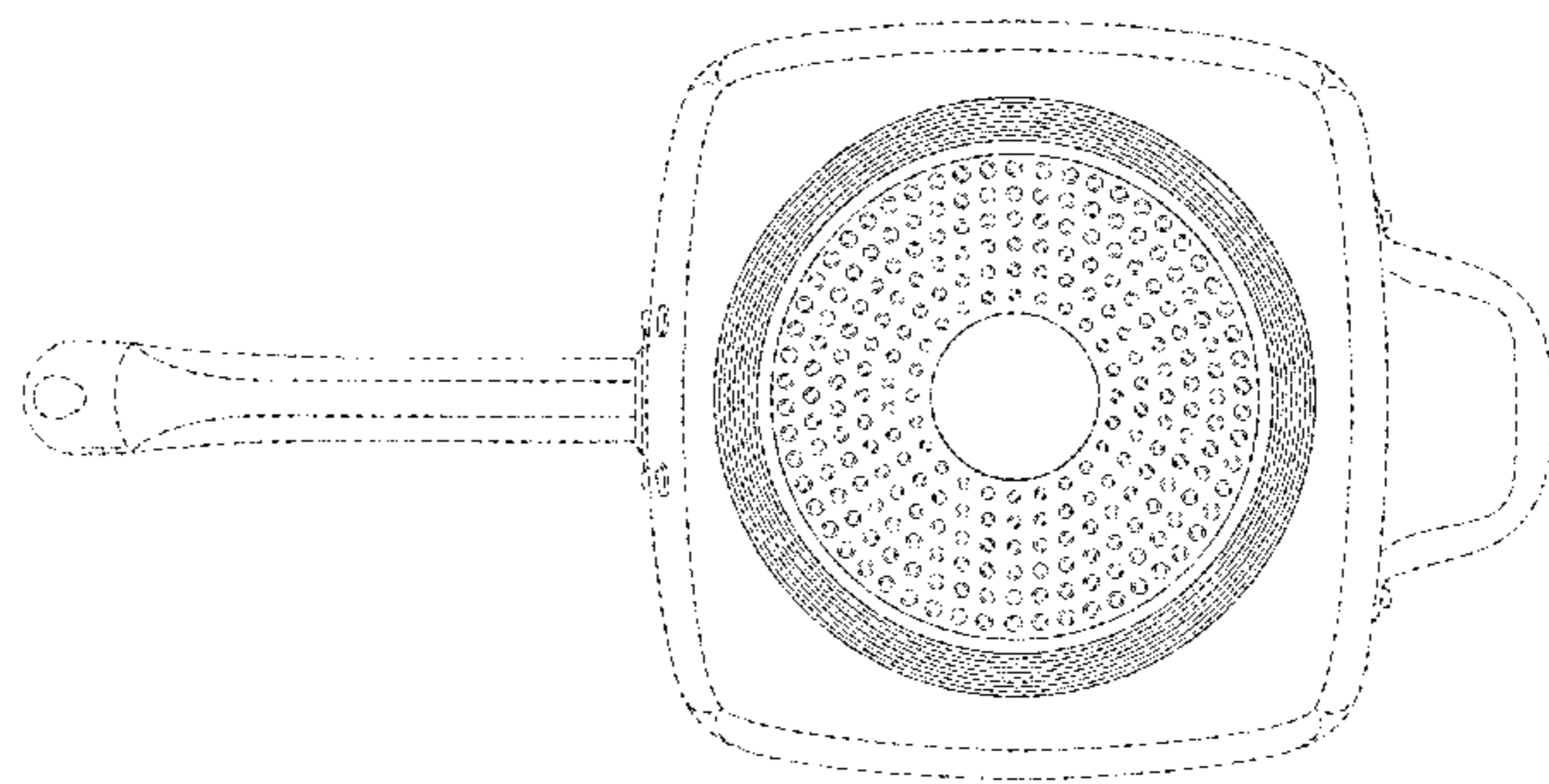
(57) **CLAIM**

The ornamental design for a pan, as shown and described.

**DESCRIPTION**

FIG. 1 is a perspective view of the pan;  
FIG. 2 is a front view thereof;  
FIG. 3 is a rear view thereof;  
FIG. 4 is a right side view thereof;  
FIG. 5 is a left side view thereof;  
FIG. 6 is a top view thereof;  
FIG. 7 is a bottom view thereof; and,  
FIG. 8 is a right side view of the pan of FIG. 1 positioned  
over a gas stove burner, which is shown in broken lines.  
The elements depicted in broken lines in the various figures  
are included for environmental purposes only, and form no  
part of the claimed design.

**1 Claim, 8 Drawing Sheets**



**Related U.S. Application Data**

continuation-in-part of application No. 29/547,842, filed on Dec. 8, 2015.

(58) **Field of Classification Search**

CPC .... 37/1204; A47J 45/061; A47J 45/071; A47J 45/08; H05B 6/12

See application file for complete search history.

(56)

**References Cited**

U.S. PATENT DOCUMENTS

D169,799	S	*	6/1953	Bourne-Vanneck	.....	D7/388
D263,670	S		4/1982	Schawalder		
4,926,843	A		5/1990	Vocke et al.		
D338,370	S		8/1993	Takeda		
5,323,693	A		6/1994	Collard et al.		
5,396,834	A		3/1995	Gambini		
5,497,696	A		3/1996	Coudurier et al.		
D373,286	S	*	9/1996	Antonio	.....	D7/361
D373,287	S		9/1996	Antonio		
D374,149	S		10/1996	Candianides		
D377,438	S		1/1997	Brunianyn		
D392,152	S		3/1998	Rae		
D414,981	S		10/1999	Roskind et al.		
D458,796	S	*	6/2002	Kellermann	.....	D7/360
D458,797	S		6/2002	Kellermann		
D458,798	S	*	6/2002	Kellermann	.....	D7/360
D467,462	S		12/2002	Teisen-Simony		
D470,716	S		2/2003	Kloppsteck		
D482,233	S		11/2003	Rae		
D522,308	S		6/2006	Ball et al.		
D549,041	S		8/2007	Kellermann et al.		
D555,418	S		11/2007	Cheng		
D559,032	S		1/2008	Kellermann		
D562,060	S		2/2008	Kloppsteck		
7,415,922	B2		8/2008	Cheng		
D579,714	S		11/2008	Cheng		
D581,721	S		12/2008	Rae		
D587,519	S		3/2009	Cheng		
D589,741	S		4/2009	Gerlach		
D594,270	S	*	6/2009	Rae	.....	D7/354
D594,271	S		6/2009	Bodum		
D614,445	S		4/2010	Ferron et al.		
D618,505	S		6/2010	Rae		
D627,193	S		11/2010	Marin		
D631,281	S		1/2011	Bodum		
D639,602	S		6/2011	Bodum		
D651,037	S		12/2011	Moodie et al.		
D662,357	S	*	6/2012	Moulin	.....	D7/354
D662,775	S		7/2012	Moulin		
D663,582	S		7/2012	Moulin		
D664,000	S		7/2012	Moulin		
D669,730	S		10/2012	Mandil		
D672,604	S		12/2012	Upston et al.		
D682,012	S		5/2013	Lin		
D682,013	S		5/2013	Huang		
D685,222	S		7/2013	Dang		
D693,627	S		11/2013	Moon et al.		
D696,059	S		12/2013	Bourbeau		
D696,060	S		12/2013	Schleinzer		
D697,751	S		1/2014	Schleinzer		
D712,193	S		9/2014	Nagrani		
D712,194	S		9/2014	Thonis		
D732,335	S		6/2015	Thonis		
D734,091	S		7/2015	Moon et al.		
D751,334	S		3/2016	Pan		
D752,912	S		4/2016	Venot et al.		
D772,641	S	*	11/2016	Mirchandani	.....	D7/354
D776,477	S	*	1/2017	Mirchandani	.....	D7/354
D777,506	S	*	1/2017	Mirchandani	.....	D7/354
D778,103	S	*	2/2017	Mirchandani	.....	D7/354
D778,664	S	*	2/2017	Mirchandani	.....	D7/354
2005/0211106	A1		9/2005	Dierkes		
2006/0096467	A1*		5/2006	Dominguez	.....	A47J 36/02 99/451
2007/0193575	A1		8/2007	Jan		

2008/0035139	A1	2/2008	Marin
2010/0083949	A1	4/2010	Lisheng
2015/0001226	A1	1/2015	Groll

FOREIGN PATENT DOCUMENTS

CN	200430023243	12/2004
CN	300743744	2/2008
CN	200730123163.X	7/2008
CN	200730319097.3	12/2008
CN	200830078454	7/2009
CN	301060141	11/2009
CN	301355624	9/2010
CN	301355624 CN	9/2010
CN	301766853	12/2011
CN	201130130856	12/2011
CN	302846862	6/2014
CN	303401337	10/2015
CN	201530109145	10/2015
CN	303435718	11/2015
CN	303503839	12/2015
EM	001171466-0002	10/2009
EM	001320717-0001	4/2012
EM	002445940-0025	4/2014
EP	CM000368949-0001	7/2005
EP	001112353-0001	5/2009
EP	001610098-0001	10/2009
EP	CM001994369-0032	2/2012
EP	002302760-0029	9/2013
EP	CM002376947-0021	12/2013
EP	002445940-0017	4/2014
HK	1002396.2	6/2010
JP	1330281	5/2008
JP	1408442	2/2011
JP	1534683	10/2015
WO	WO-2011161648 A1	12/2011
WO	PCT/IB2011/052768	12/2015

OTHER PUBLICATIONS

Request for Ex Parte Reexamination of U.S. Pat. No. D. 778,103; May 3, 2017; 346 pages.  
*Tristar Products, Inc. v. E. Mishan & Sons, Inc.*; Opinion; Civil No. 17/1204; 48 pages(D.NJ).  
*Tristar Products, Inc. v. Novel Brands LLC*, C.A. No. 17-cv-00043 (D.R.I.).  
*Tristar Products, Inc. v. Tekno Products Inc.*, C.A. No. 16-cv-00681 (D.R.I.).  
*Tristar Products, Inc. v. TV Direct LLC*, C.A. No. 17-cv-00060 (D.R.I.).  
*Tristar Products, Inc. v. E. Mishan and Sons Inc.*; C.A. 17-cv-1204; 34 pages (D.NJ).  
*Tristar Products, Inc. v. E. Mishan & Sons, Inc.*; C.A. No. 17-cv-01204; Defendant E. Mishan & Sons Inc.'s Response to Court Order to Show Cause; 470 pages (D.NJ).  
*Tristar Products, Inc. v. E. Mishan & Sons Inc.*; C.A. No. 17-cv-01204; Answer, Affirmative Defenses and Counterclaims; 12 pages (D.NJ).  
*Tristar Products, Inc. v. E. Mishan & Sons, Inc.*; C.A. No. 17-cv-01204; Tristar Products, Inc.'s Reply Brief in Support of its Motion for a Preliminary Injunction; 146 pages (D.NJ).  
*Tristar Products, Inc. v. E. Mishan and Sons Inc.*; C.A. No. 17-cv-01204; Amended Complaint for Patent Infringement and Demand for Jury Trial; 64 pages (D.NJ).  
*Tristar Products, Inc. v. E. Mishan and Sons Inc.*; C.A. No. 17-cv-01204; Second Amended Complaint for Patent Infringement and Demand for Jury Trial; 82 pages (D.NJ).  
 Request for Ex Parte Reexamination of U.S. Pat. No. D. 778664; 440 pages.  
*Tristar Products, Inc. v. E. Mishan and Sons Inc.*; Complaint; 52 pages (D.NJ).  
*Tristar Products, Inc. v. Telebrands*; 17-cv-01206; Amended Complaint; Apr. 11, 2017; 68 pages (D.NJ).  
*Tristar Products, Inc. v. Penn LLC*; 17-cv-02067; Complaint; Mar. 29, 2017; 65 pages (D.NJ).

(56)

**References Cited**

OTHER PUBLICATIONS

Order Granting Request for Ex Parte Reexamination for U.S.  
Pat.No. D. 778,664.

\* cited by examiner

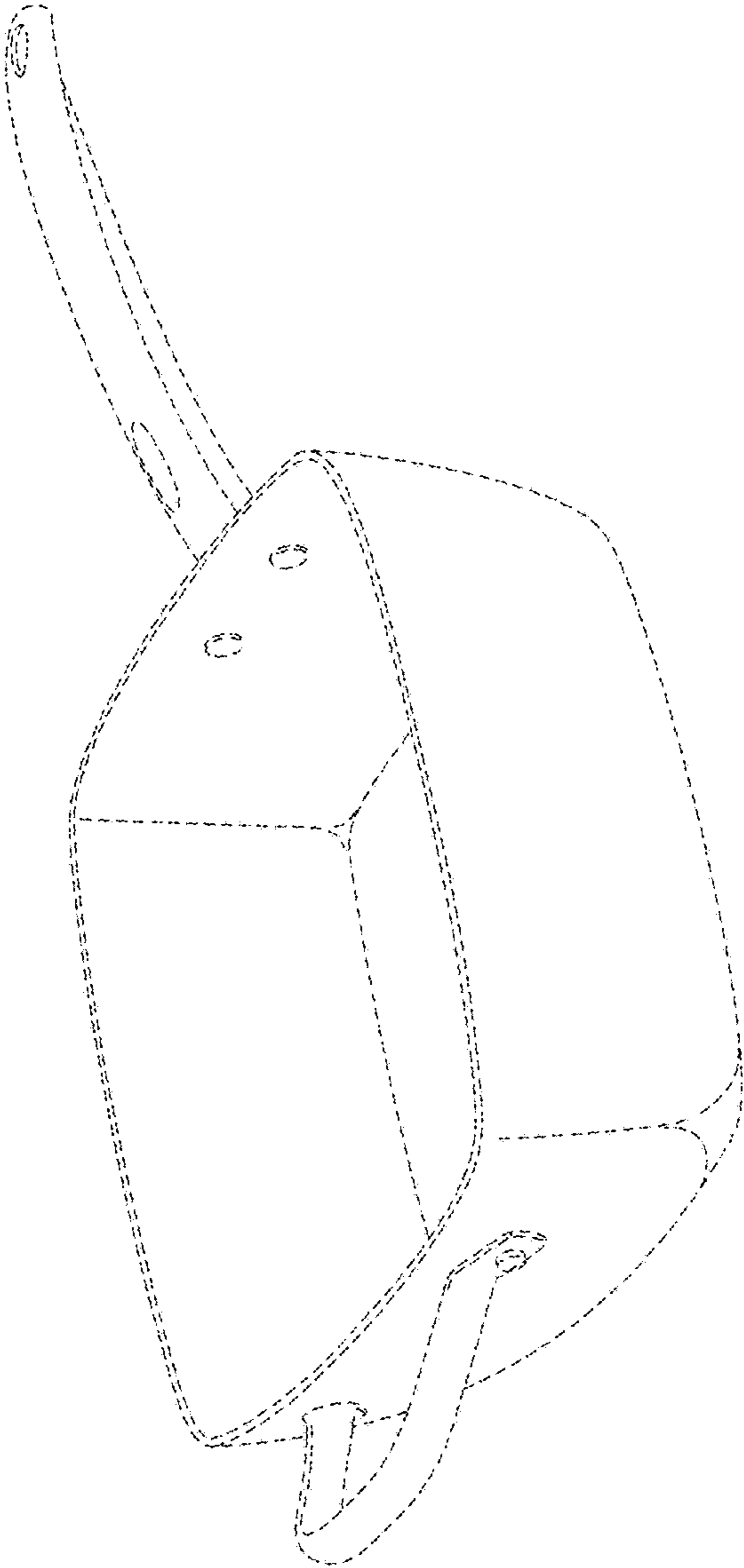


FIG. 1

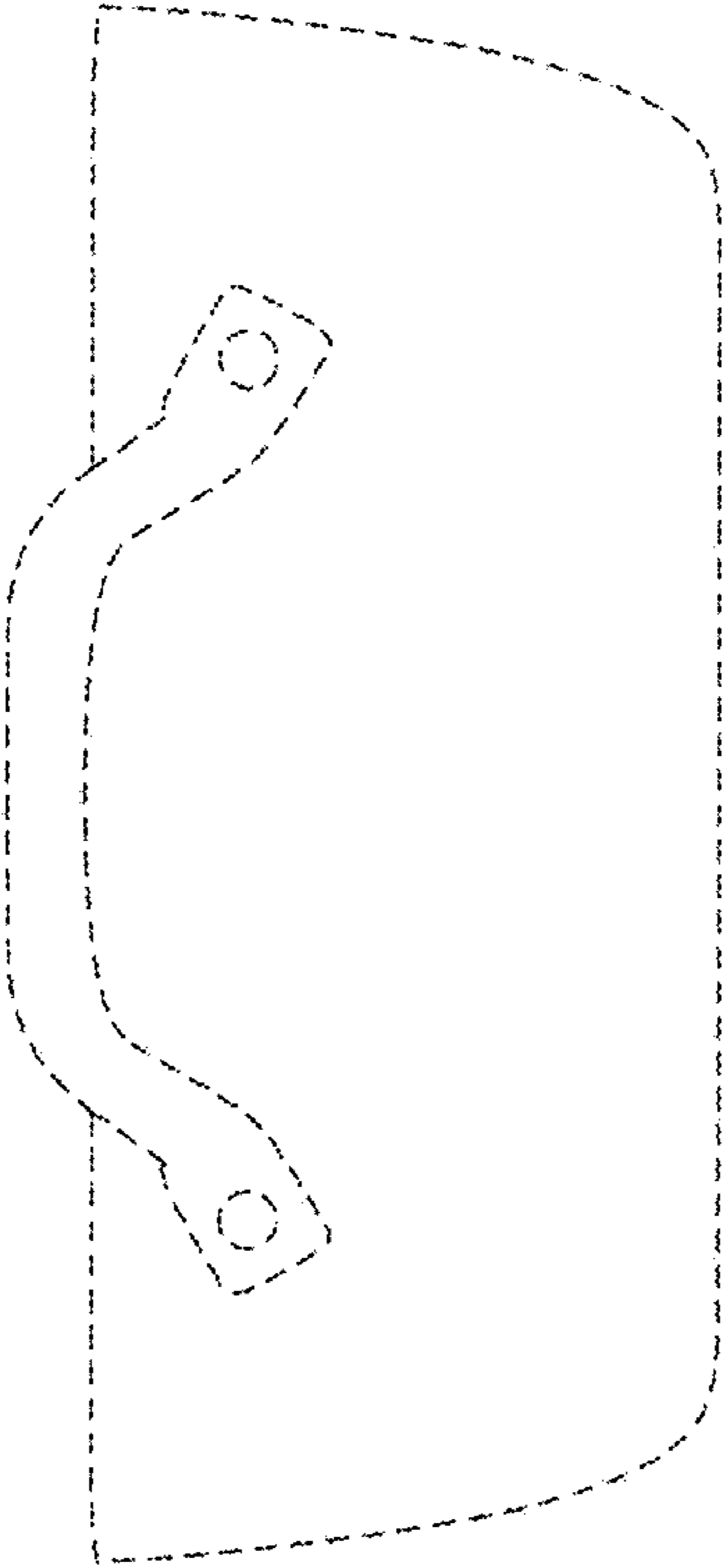


FIG. 2

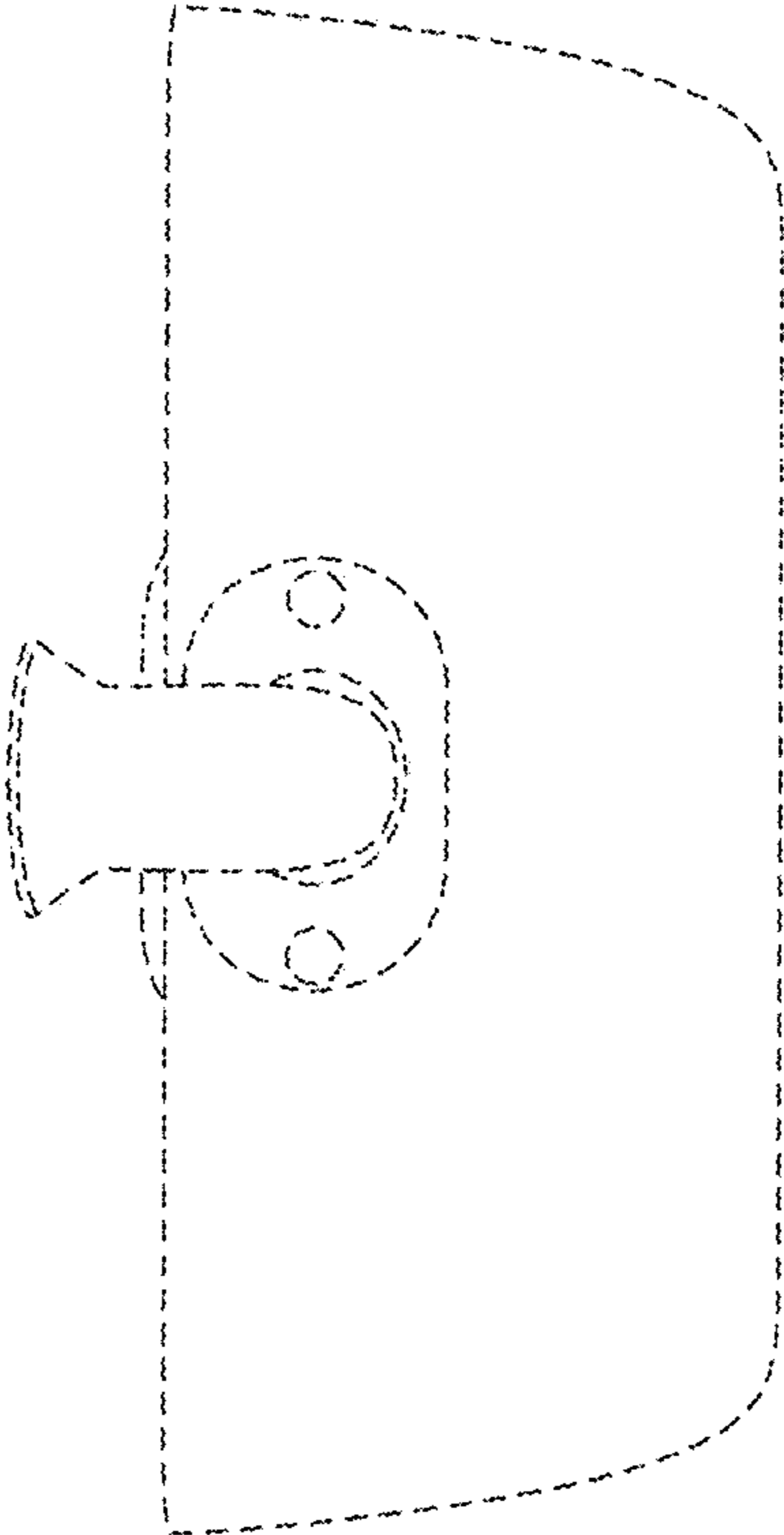


FIG. 3

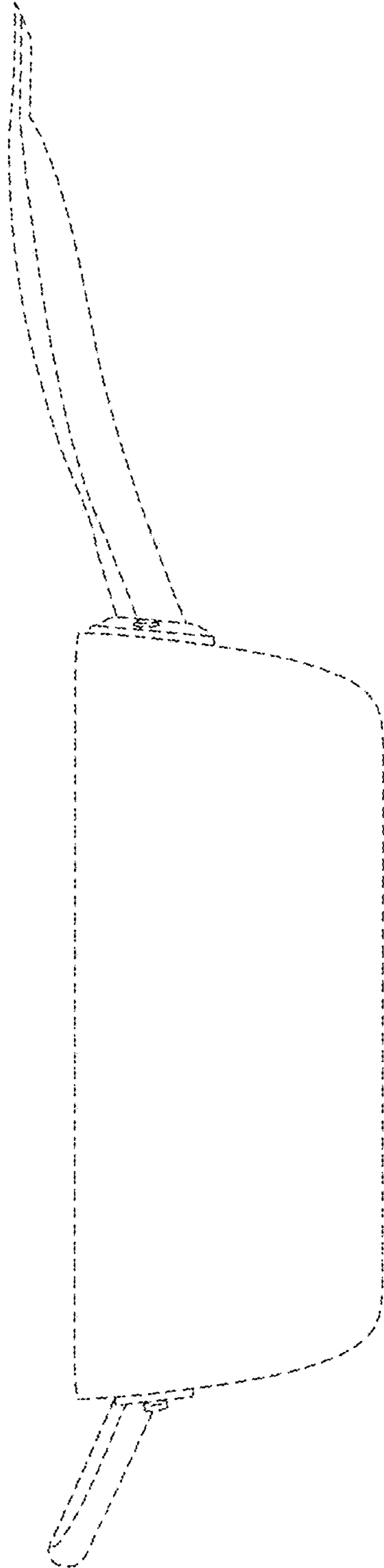


FIG. 4

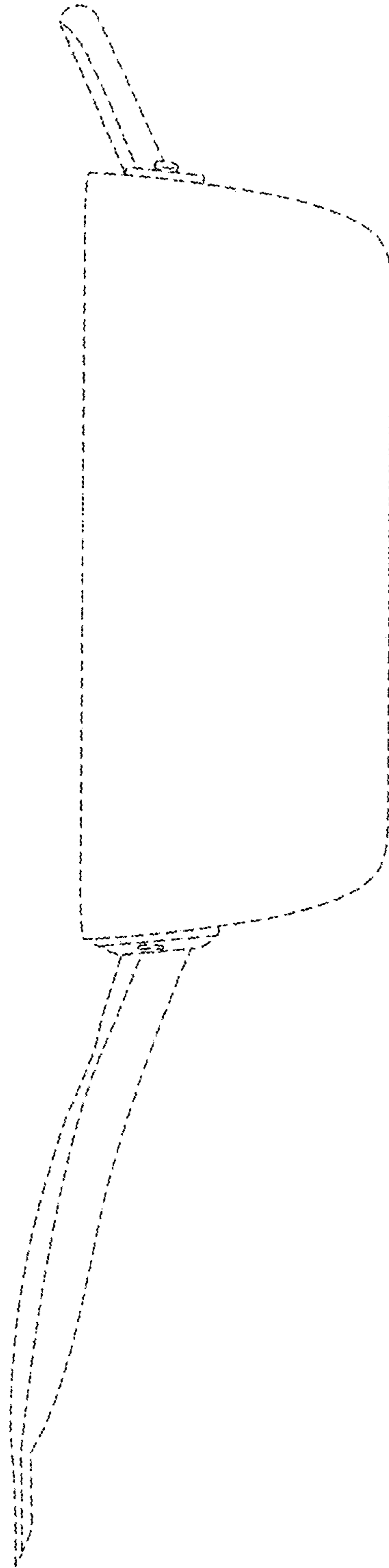


FIG. 5



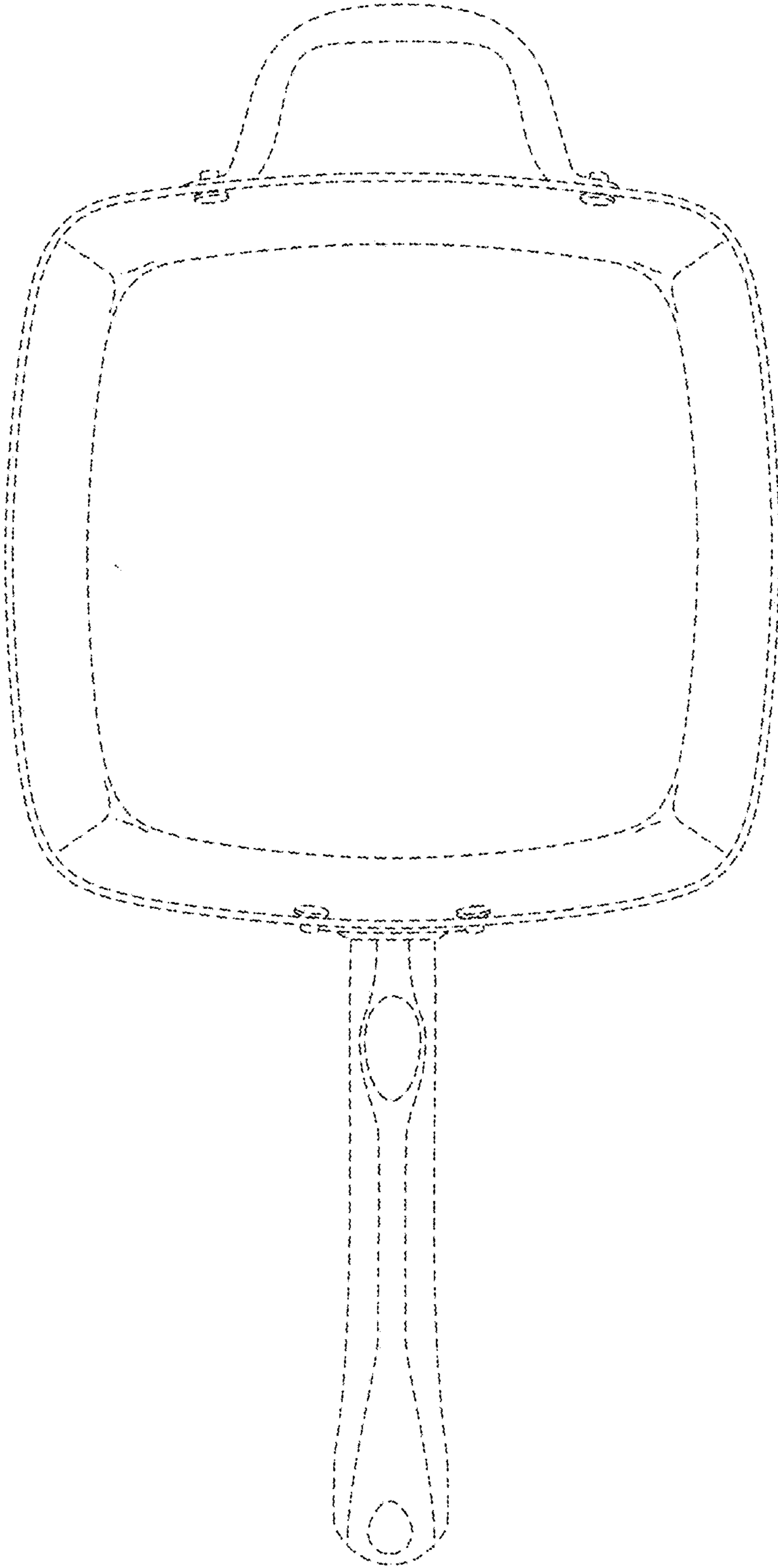


FIG. 6

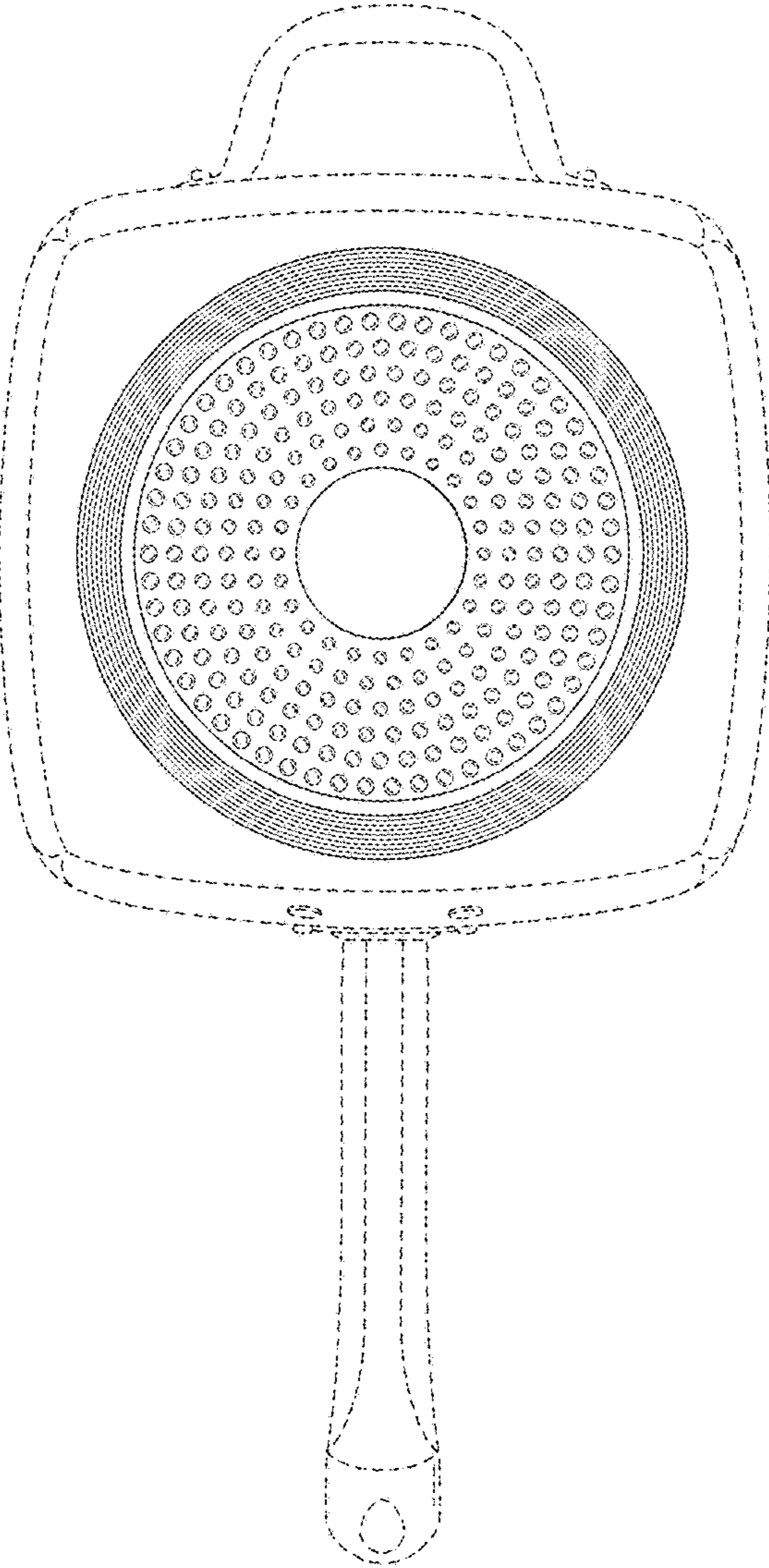


FIG. 7

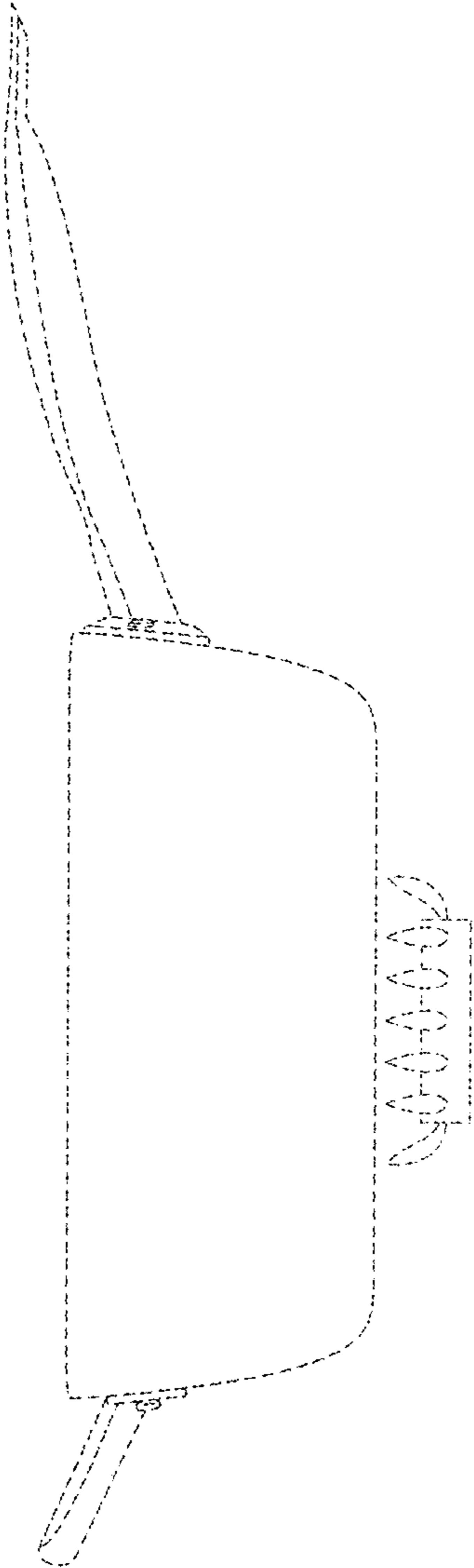


FIG. 8