



US00D790908S

(12) **United States Design Patent** (10) **Patent No.:** **US D790,908 S**
Mirchandani et al. (45) **Date of Patent:** **** Jul. 4, 2017**

- (54) **PAN**
- (71) Applicants: **TRISTAR PRODUCTS, INC.**,
Fairfield, NJ (US); **KE M.O. HOUSE**
CO., LTD., Shenzhen (CN)
- (72) Inventors: **Keith Mirchandani**, Fairfield, NJ (US);
Mo-Tsan Tsai, Shenzhen (CN)
- (73) Assignees: **Tristar Products, Inc.**, Fairfield, NJ
(US); **KE M.O. HOUSE CO., LTD.**,
Shenzhen (CN)
- (**) Term: **15 Years**
- (21) Appl. No.: **29/589,270**
- (22) Filed: **Dec. 29, 2016**

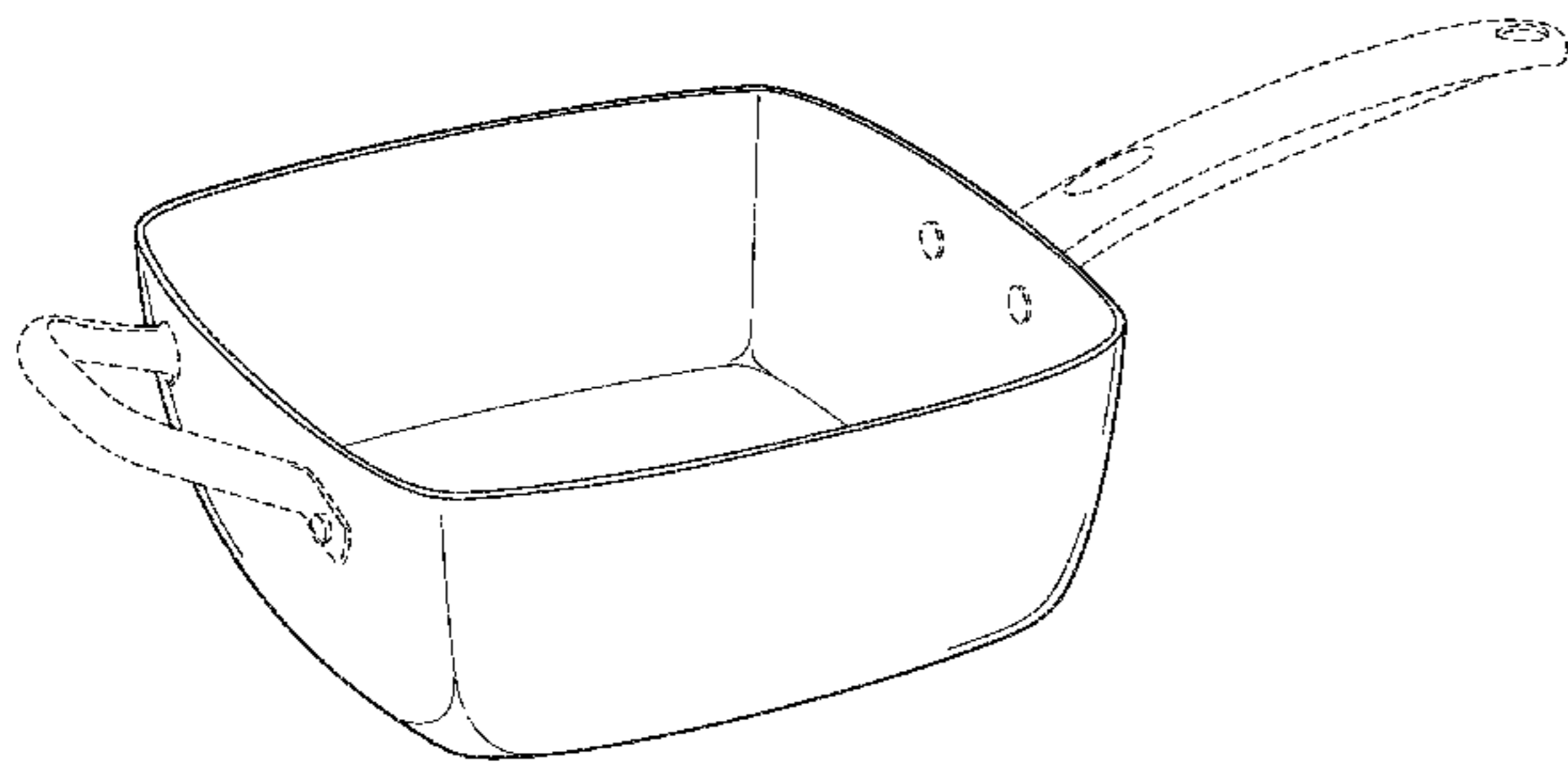
Related U.S. Application Data

- (63) Continuation of application No. 29/552,601, filed on
Jan. 24, 2016, now Pat. No. Des. 778,103, which is a
continuation-in-part of application No. 29/547,842,
filed on Dec. 8, 2015.

Foreign Application Priority Data

- Dec. 1, 2015 (CN) 2015 3 0493868
- (51) **LOC (10) Cl.** **07-02**
- (52) **U.S. Cl.**
USPC **D7/354**; D7/360; D7/361
- (58) **Field of Classification Search**
USPC D7/323, 354-363, 391, 393-396, 409
CPC A47G 19/12; A47J 27/00; A47J 27/002;
A47J 27/08; A47J 27/21; A47J 27/58;
A47J 36/025; A47J 36/06; A47J 36/12;
A47J 37/00; A47J 37/10; A47J 37/101;
A47J 37/103; A47J 37/12; A47J 37/1204;
A47J

(Continued)



- (56) **References Cited**
- U.S. PATENT DOCUMENTS
- D27,936 S * 12/1897 Schmidt D7/359
- 2,085,220 A 12/1936 Howlett
- D263,670 S 4/1982 Schawalder
- (Continued)

FOREIGN PATENT DOCUMENTS

- CA 144241 S 7/2013
- CN 03353517 6/2004
- (Continued)

OTHER PUBLICATIONS

Request for Ex Parte Reexamination of U.S. Pat. No. D772,641;
May 3, 2017; 390 pages.
(Continued)

Primary Examiner — Ricky Pham

(74) *Attorney, Agent, or Firm* — Adler Pollock &
Sheehan P.C.; Daniel J. Holmader

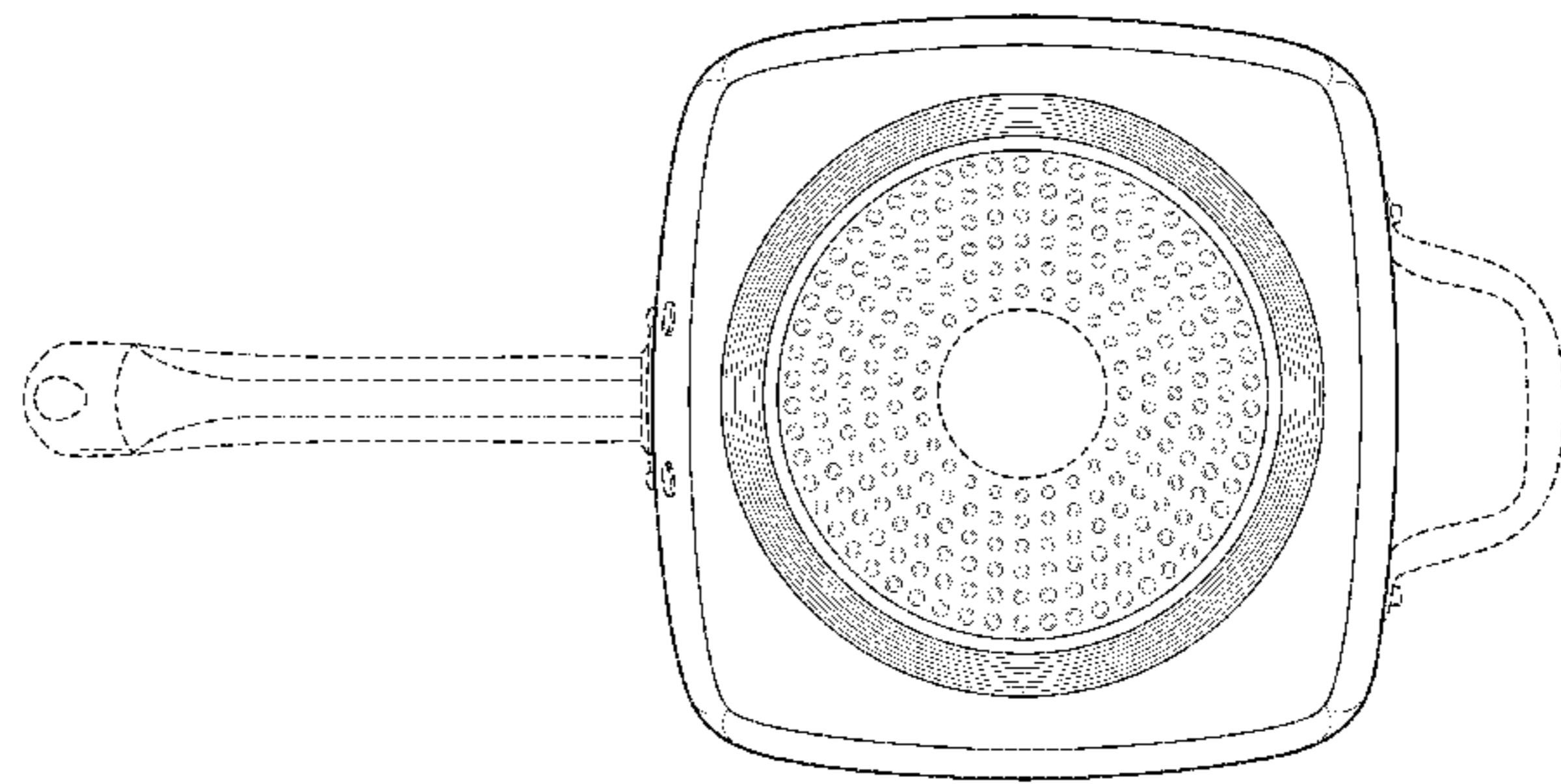
(57) **CLAIM**

The ornamental design for a pan, as shown and described.

DESCRIPTION

FIG. 1 is a perspective view of the pan;
FIG. 2 is a front view thereof;
FIG. 3 is a rear view thereof;
FIG. 4 is a right side view thereof;
FIG. 5 is a left side view thereof;
FIG. 6 is a top view thereof;
FIG. 7 is a bottom view thereof; and,
FIG. 8 is a right side view of the pan of FIG. 1 positioned
over a gas stove burner, which is shown in broken lines.
The elements depicted in broken lines in the various figures
are included for environmental purposes only, and form no
part of the claimed design.

1 Claim, 8 Drawing Sheets



(58) **Field of Classification Search**

CPC 45/061; A47J 45/071; A47J 45/08; H05B
6/12

See application file for complete search history.

FOREIGN PATENT DOCUMENTS

CN	200430023243.4	12/2004
CN	300743744	2/2008
CN	200730123163	7/2008
CN	200730319097.3	12/2008
CN	200830078454.6	7/2009
CN	301060141	11/2009
CN	301355624	9/2010
CN	301766853	12/2011
CN	201130130856.8 S	12/2011
CN	302846862	6/2014
CN	303401337	10/2015
CN	201530109145	10/2015
CN	303435718	11/2015
CN	303503839	12/2015
EM	CM000368949-0001	7/2005
EM	001171466-0002	10/2009
EM	CM001994369-0032	2/2012
EM	001320717-0001	4/2012
EM	002302760-0029	9/2013
EM	CM002376947-0021	12/2013
EM	002445940-0017	4/2014
EM	002445940-0025	4/2014
EP	001112353-0001	5/2009
EP	001610098-0001	10/2009
HK	1002396.2	6/2010
JP	1330281	5/2008
JP	1408442	2/2011
JP	1534683	10/2015
WO	WO-2011161648 A1	12/2011
WO	WO-PCT/IB2011/052768	12/2015

(56) **References Cited**

U.S. PATENT DOCUMENTS

4,926,843	A	5/1990	Vocke et al.	
D338,370	S	8/1993	Takeda	
5,323,693	A	6/1994	Collard et al.	
5,396,834	A	3/1995	Gambini	
5,497,696	A	3/1996	Coudurier et al.	
D373,286	S	* 9/1996	Antonio	D7/361
D373,287	S	9/1996	Antonio	
D374,149	S	10/1996	Candianides	
D377,438	S	1/1997	Brunianyn	
D392,152	S	3/1998	Rae	
D414,981	S	10/1999	Roskind et al.	
D458,797	S	6/2002	Kelermann	
D467,462	S	12/2002	Teisen-Simony	
D470,716	S	2/2003	Kloppsteck	
D482,233	S	11/2003	Rae	
D522,308	S	6/2006	Ball et al.	
D549,041	S	8/2007	Kellermann et al.	
D555,418	S	11/2007	Cheng	
D559,032	S	1/2008	Kellermann	
D562,060	S	2/2008	Kloppsteck	
7,415,922	B2	8/2008	Cheng	
D579,714	S	11/2008	Cheng	
D581,721	S	12/2008	Rae	
D587,519	S	3/2009	Cheng	
D589,741	S	4/2009	Gerlach	
D594,270	S	* 6/2009	Rae	D7/354
D594,271	S	6/2009	Bodum	
D614,445	S	4/2010	Ferron et al.	
D618,505	S	6/2010	Rae	
D627,193	S	11/2010	Marin	
D631,281	S	1/2011	Bodum	
D639,602	S	6/2011	Bodum	
D651,037	S	12/2011	Moodie et al.	
D657,992	S	* 4/2012	Moodie	D7/354
D662,775	S	7/2012	Moulin	
D663,582	S	7/2012	Moulin	
D664,000	S	7/2012	Moulin	
D669,730	S	10/2012	Mandil	
D672,604	S	12/2012	Upston et al.	
D682,012	S	5/2013	Lin	
D682,013	S	5/2013	Huang	
D685,222	S	7/2013	Dang	
D693,627	S	11/2013	Moon et al.	
D695,059	S	* 12/2013	Mehler	D7/354
D696,059	S	12/2013	Bourbeau	
D696,060	S	12/2013	Schleinzer	
D697,751	S	1/2014	Schleinzer	
D702,486	S	* 4/2014	Bowden	D7/354
D711,184	S	* 8/2014	Bowden	D7/354
D712,193	S	9/2014	Nagrani	
D712,194	S	9/2014	Thonis	
D732,335	S	6/2015	Thonis	
D734,091	S	7/2015	Moon et al.	
D751,334	S	3/2016	Pan	
D752,912	S	4/2016	Venot et al.	
D761,614	S	* 7/2016	Zemel	D7/354
D766,647	S	* 9/2016	Calkins	D7/354
D772,641	S	* 11/2016	Mirchandani	D7/354
D776,477	S	* 1/2017	Mirchandani	D7/354
D778,103	S	* 2/2017	Mirchandani	D7/354
D778,664	S	* 2/2017	Mirchandani	D7/354
2005/0211106	A1	9/2005	Dierkes	
2007/0193575	A1	8/2007	Jan	
2008/0035139	A1	2/2008	Marin	
2010/0083949	A1	4/2010	Lisheng	
2015/0001226	A1	1/2015	Groll	

OTHER PUBLICATIONS

Request for Ex Parte Reexamination of U.S. Pat. No. D778,103; May 3, 2017; 346 pages.
Tristar Products, Inc. v. E. Mishan & Sons, Inc.; Opinion; Civil No. 17/1204; 48 pages(D.NJ).
Tristar Products, Inc. v. Novel Brands LLC, C.A. No. 17-cv-00043 (D.R.I.).
Tristar Products, Inc. v. Tekno Products Inc., C.A. No. 16-cv-00681 (D.R.I.).
Tristar Products, Inc. v. TV Direct LLC, C.A. No. 17-cv-00060 (D.R.I.).
Tristar Products, Inc. v. E. Mishan and Sons Inc.; C.A. 17-cv-1204; 34 pages (D.NJ).
Tristar Products, Inc. v. E. Mishan & Sons, Inc.; C.A. No. 17-cv-01204; Defendant E. Mishan & Sons Inc.'s Response to Court Order to Show Cause; 470 pages (D.NJ).
Tristar Products, Inc. v. E. Mishan & Sons Inc.; C.A. No. 17-cv-01204; Answer, Affirmative Defenses and Counterclaims; 12 pages (D.NJ).
Tristar Products, Inc. v. E. Mishan & Sons, Inc.; C.A. No. 17-cv-01204; Tristar Products, Inc.'s Reply Brief in Support of its Motion for a Preliminary Injunction; 146 pages (D.NJ).
Tristar Products, Inc. v. E. Mishan and Sons Inc.; C.A. No. 17-cv-01204; Amended Complaint for Patent Infringement and Demand for Jury Trial; 64 pp. (D.NJ).
Tristar Products, Inc. v. E. Mishan and Sons Inc.; C.A. No. 17-cv-01204; Second Amended Complaint for Patent Infringement and Demand for Jury Trial; 82 pages (D.NJ).
 Request for Ex Parte Reexamination of U.S. Pat. No. D778664; 440 pages.
Tristar Products, Inc. v. E. Mishan and Sons Inc.; Complaint; 52 pages (D.NJ).
Tristar Products, Inc. v. Telebrands; 17-cv-01206; Amended Complaint; Apr. 11, 2017; 68 pages (D.NJ).
Tristar Products, Inc. v. Penn LLC; 17-cv-02067; Complaint; Mar. 29, 2017; 65 pages (D.NJ).
 Order Granting Request for Ex Parte Reexamination for U.S. Pat. No. D778,664.

* cited by examiner

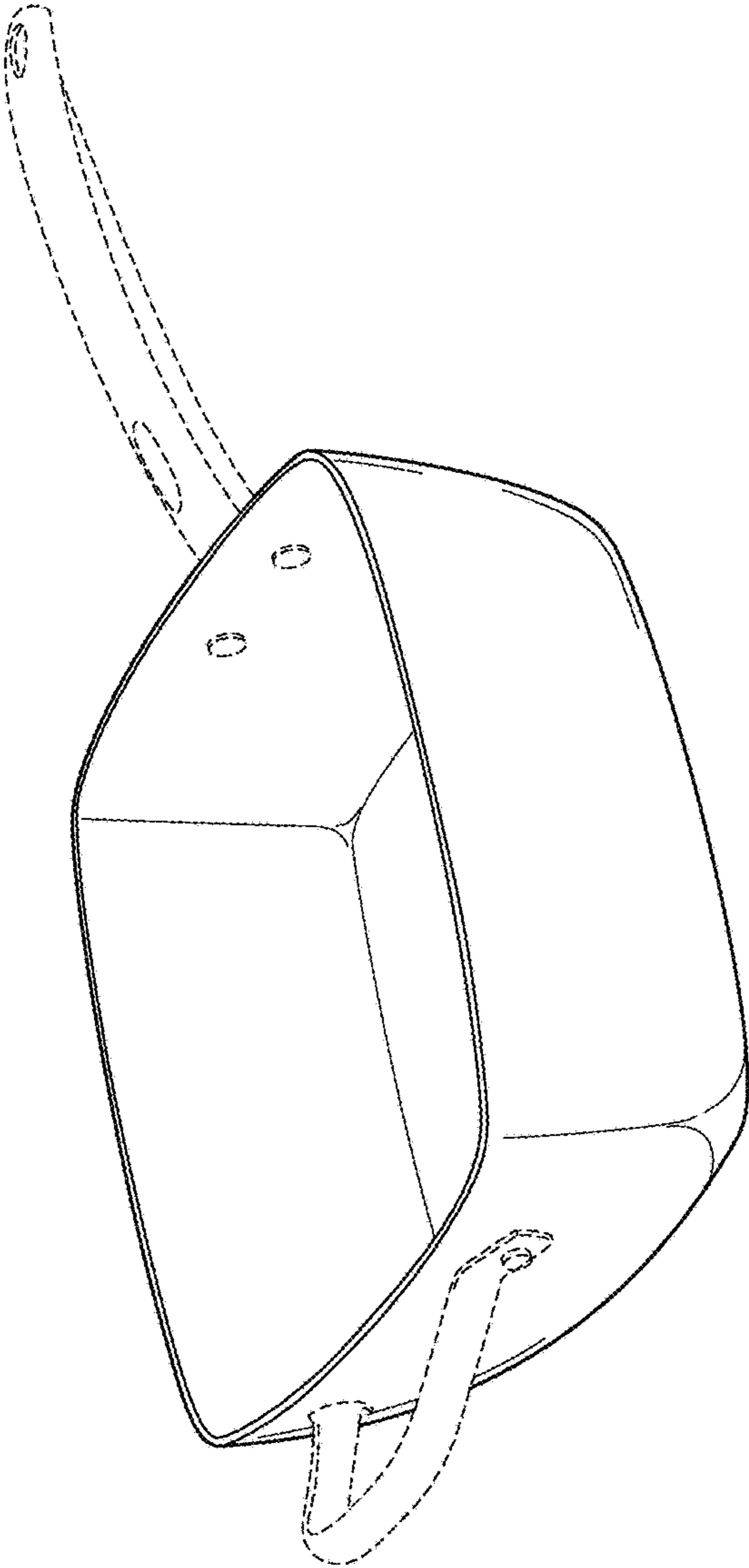


FIG. 1

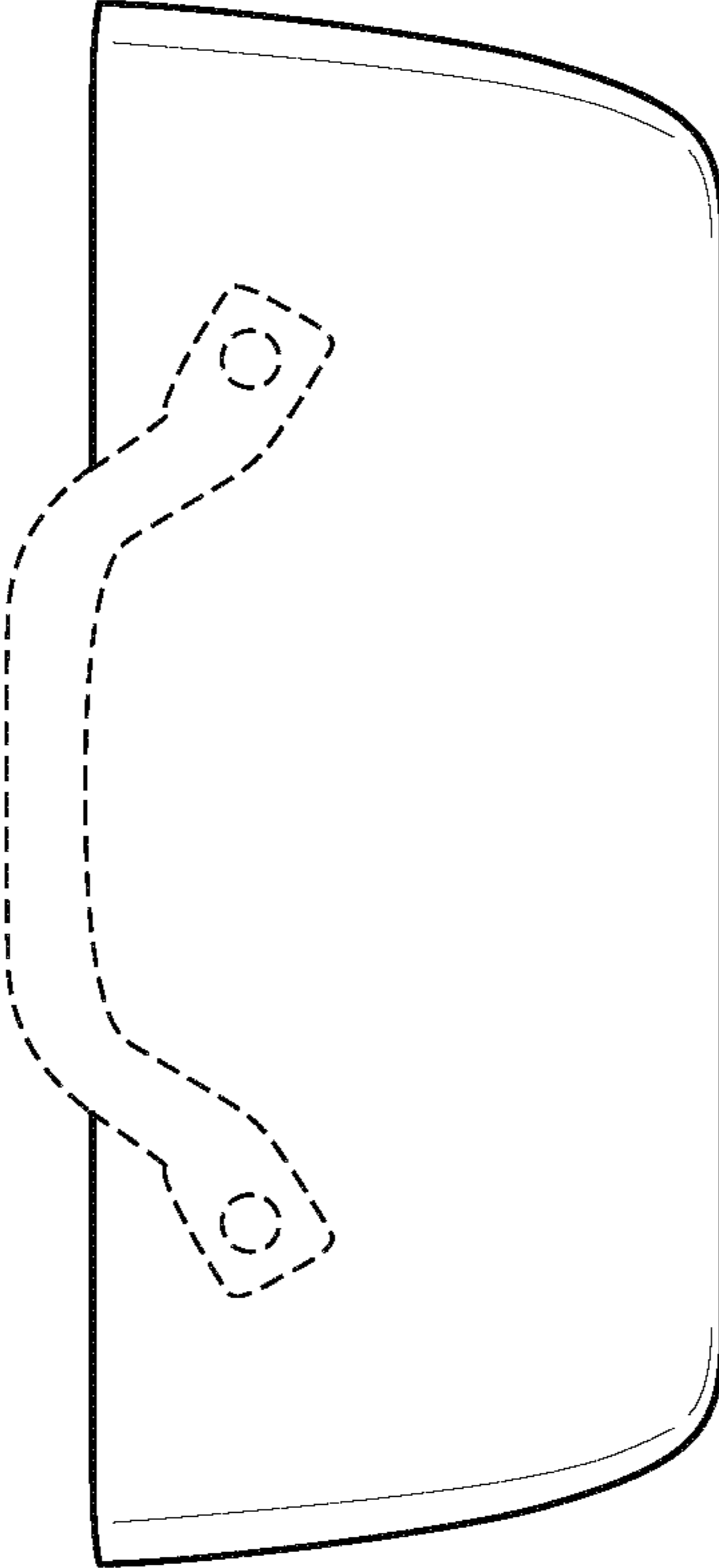


FIG. 2

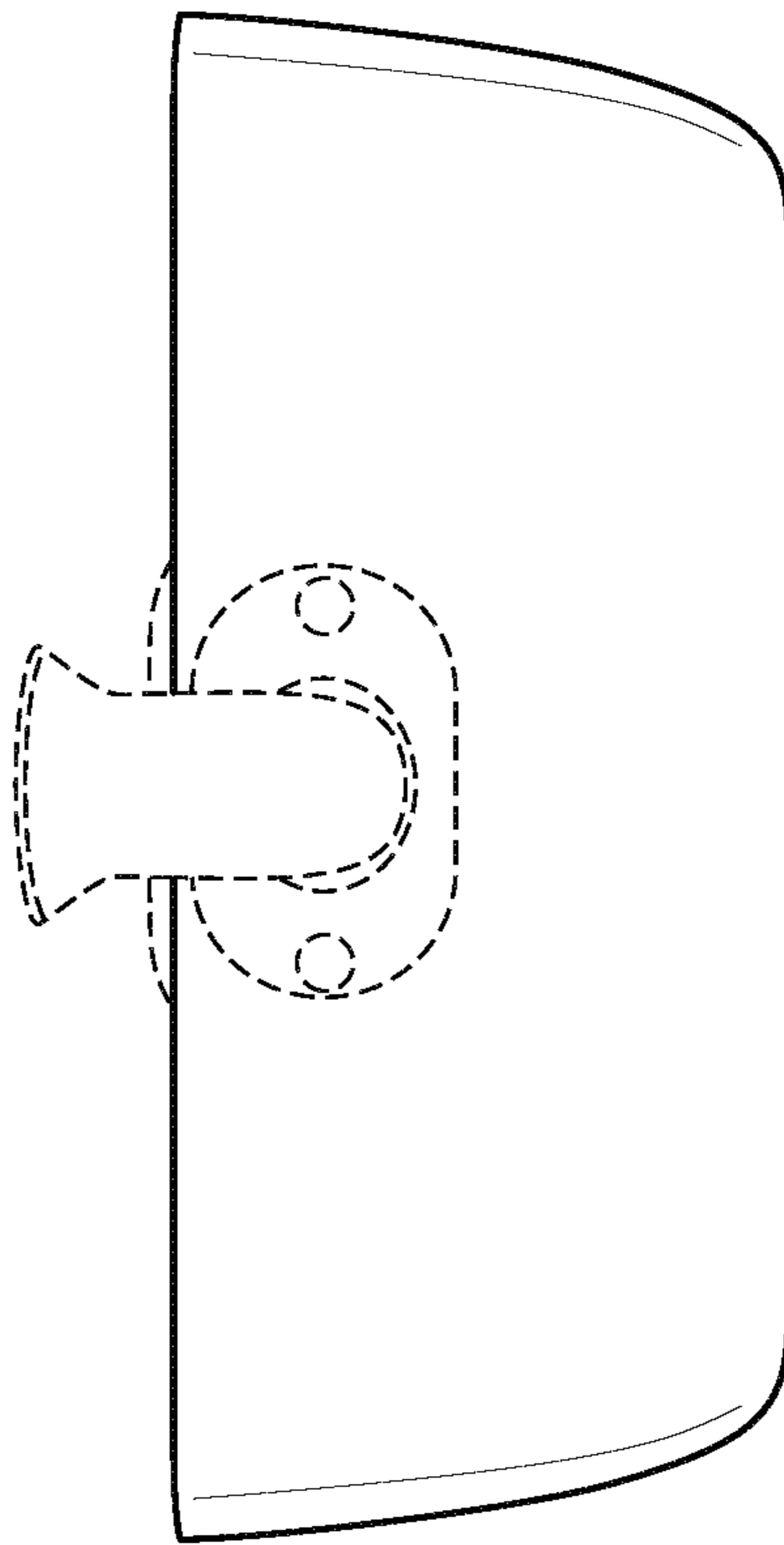


FIG. 3

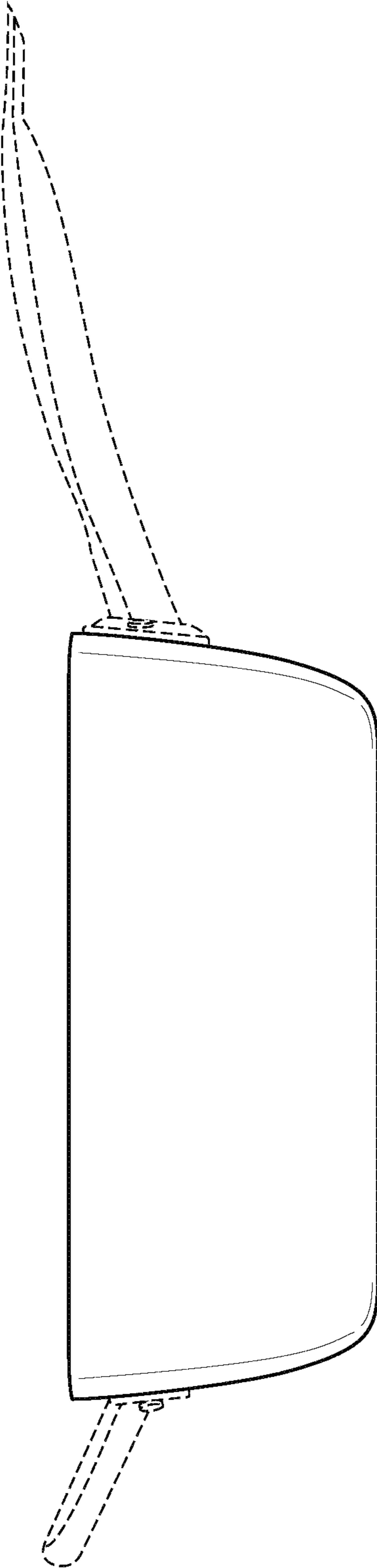


FIG. 4

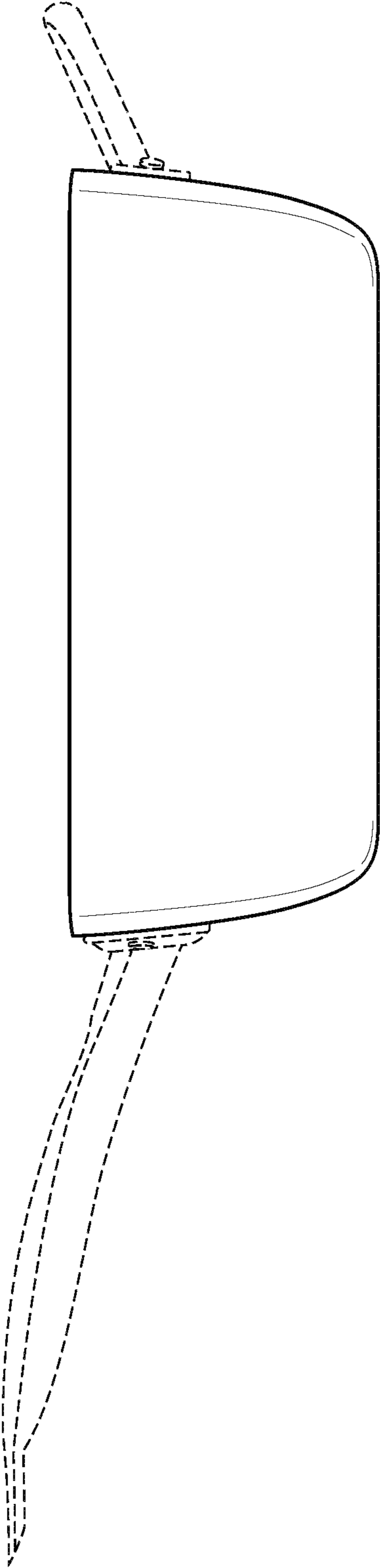


FIG. 5

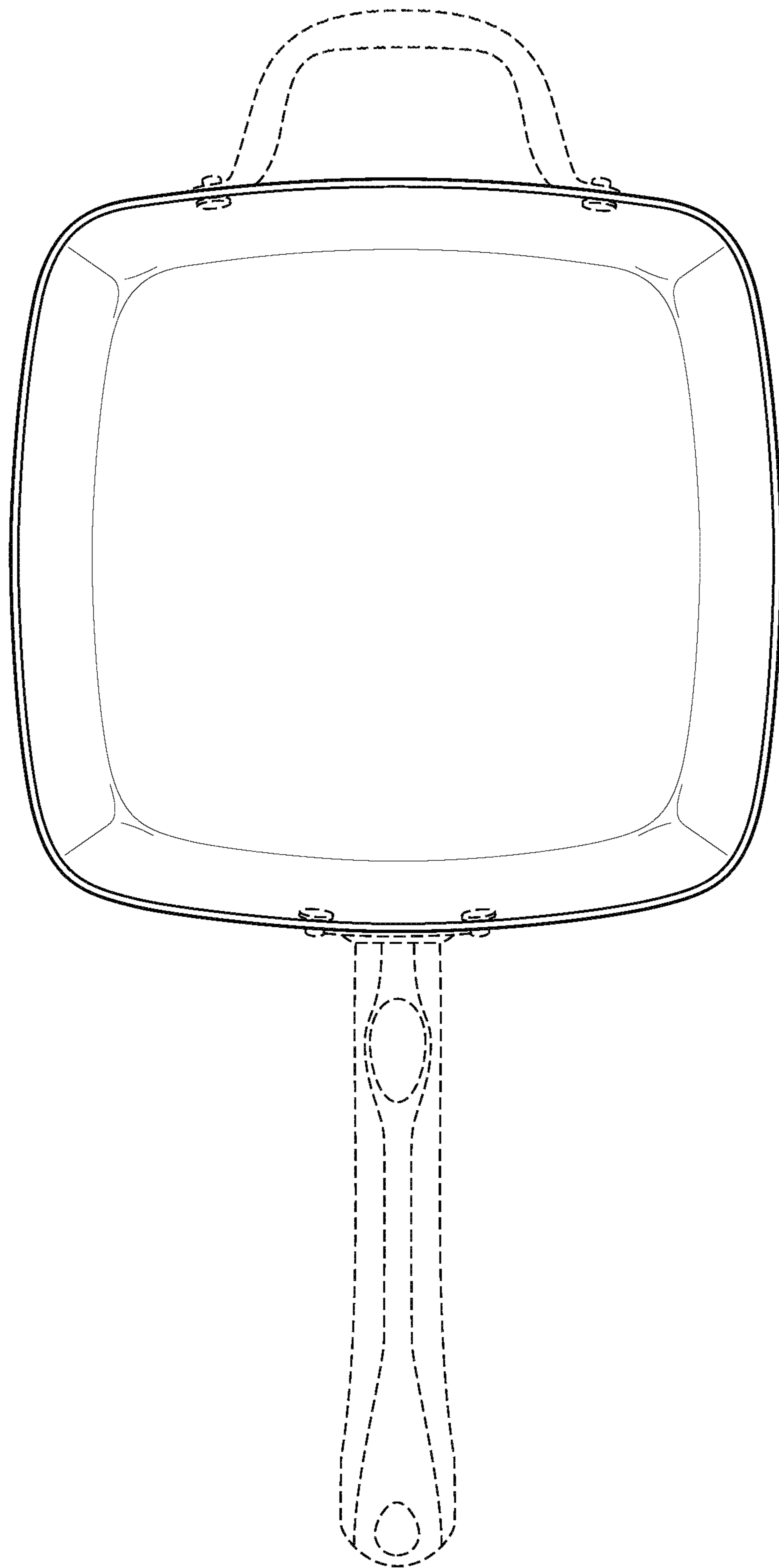


FIG. 6

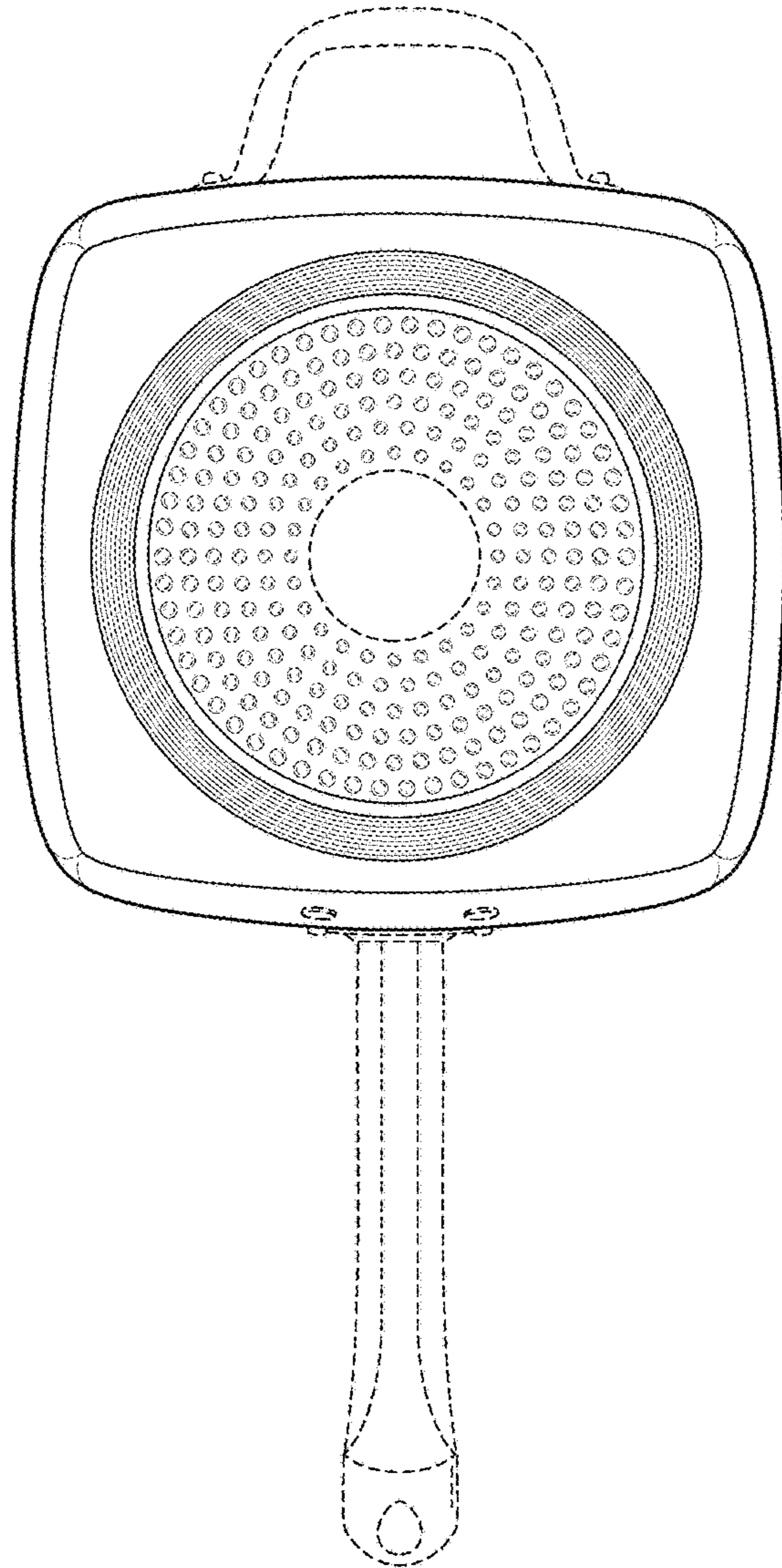


FIG. 7

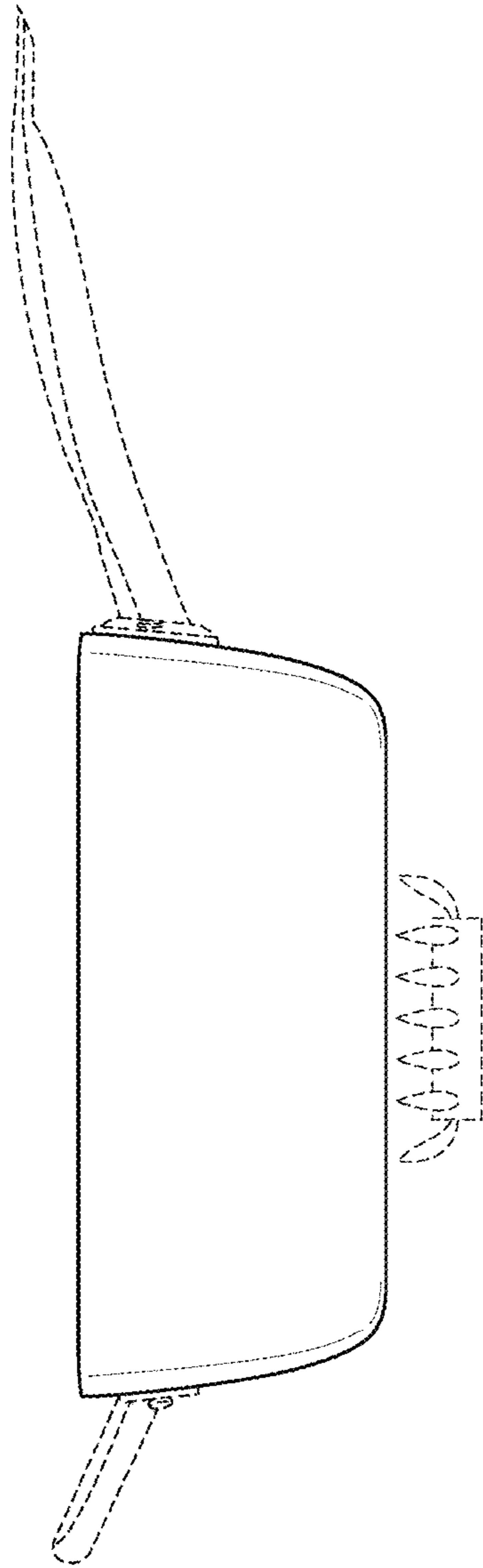


FIG. 8