

US00D790907S

(12) **United States Design Patent**
Chang

(10) **Patent No.:** **US D790,907 S**
(45) **Date of Patent:** **** Jul. 4, 2017**

(54) **GRILL**
(71) Applicant: **Tsann Kuen (Zhangzhou) Enterprise Co., Ltd., Zhang Zhou (CN)**
(72) Inventor: **Wenyu Chang, Tainan (TW)**
(73) Assignee: **Tsann Kuen (Zhangzhou) Enterprise Co., Ltd., Zhangzhou (CN)**
(**) Term: **15 Years**

D504,276 S * 4/2005 Vial D7/352
7,021,199 B2 * 4/2006 Lubowicki A47J 37/0611
16/260
D522,803 S * 6/2006 Lam D7/352
D523,284 S * 6/2006 Lam D7/352
D587,061 S * 2/2009 Lavy D7/352
D662,760 S * 7/2012 Kennedy D7/352
8,915,179 B2 * 12/2014 Chang A47J 37/0611
219/386
D740,066 S * 10/2015 Pitteurs D7/352
2010/0024662 A1 * 2/2010 Bengtson A47J 37/0611
99/377

(21) Appl. No.: **29/538,614**
(22) Filed: **Sep. 4, 2015**

* cited by examiner

Primary Examiner — Ricky Pham

(74) *Attorney, Agent, or Firm* — Wang Law Firm, Inc.

(30) **Foreign Application Priority Data**

Apr. 14, 2015 (CN) 2015 3 0097718

(51) **LOC (10) Cl.** **07-02**

(52) **U.S. Cl.**
USPC **D7/352; D7/362; D7/410**

(58) **Field of Classification Search**
USPC D7/323, 328-330, 337, 347, 352-364,
D7/367, 402, 409-411

CPC . A21B 5/023; A47J 27/60; A47J 27/62; A47J
37/04; A47J 37/06; A47J 37/015; A47J
37/067; A47J 37/0605; A47J 37/0611;
A47J 37/0623; A47J 37/0629; A47J
37/0676; A47J 2037/06; A47J 2037/0611;
F24C 15/10; F24C 15/102; H05B 6/02;
H05B 6/062

See application file for complete search history.

(56) **References Cited**

U.S. PATENT DOCUMENTS

D465,965 S * 11/2002 Dalton D7/352
D488,667 S * 4/2004 Seum D7/352

(57) **CLAIM**

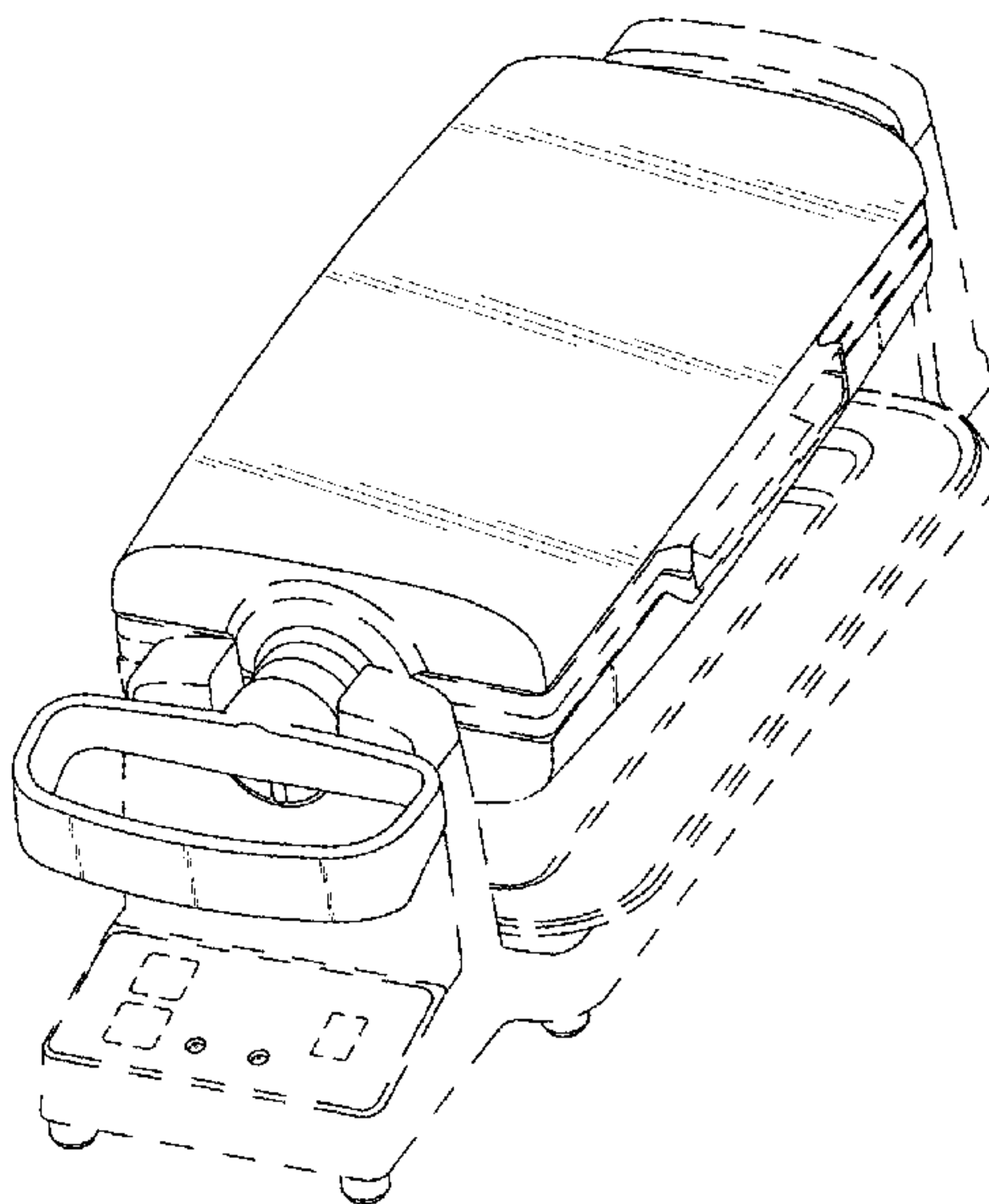
The ornamental design for a grill, as shown and described.

DESCRIPTION

FIG. 1 is a front view of a grill showing my new design;
FIG. 2 is a rear view thereof;
FIG. 3 is a left side view thereof;
FIG. 4 is a right side view thereof;
FIG. 5 is a top plan view thereof;
FIG. 6 is a bottom plan view thereof; and,
FIG. 7 is a perspective view thereof.

The broken lines shown in the Figures are for illustrative purposes only and form no part of the claimed design.

1 Claim, 7 Drawing Sheets



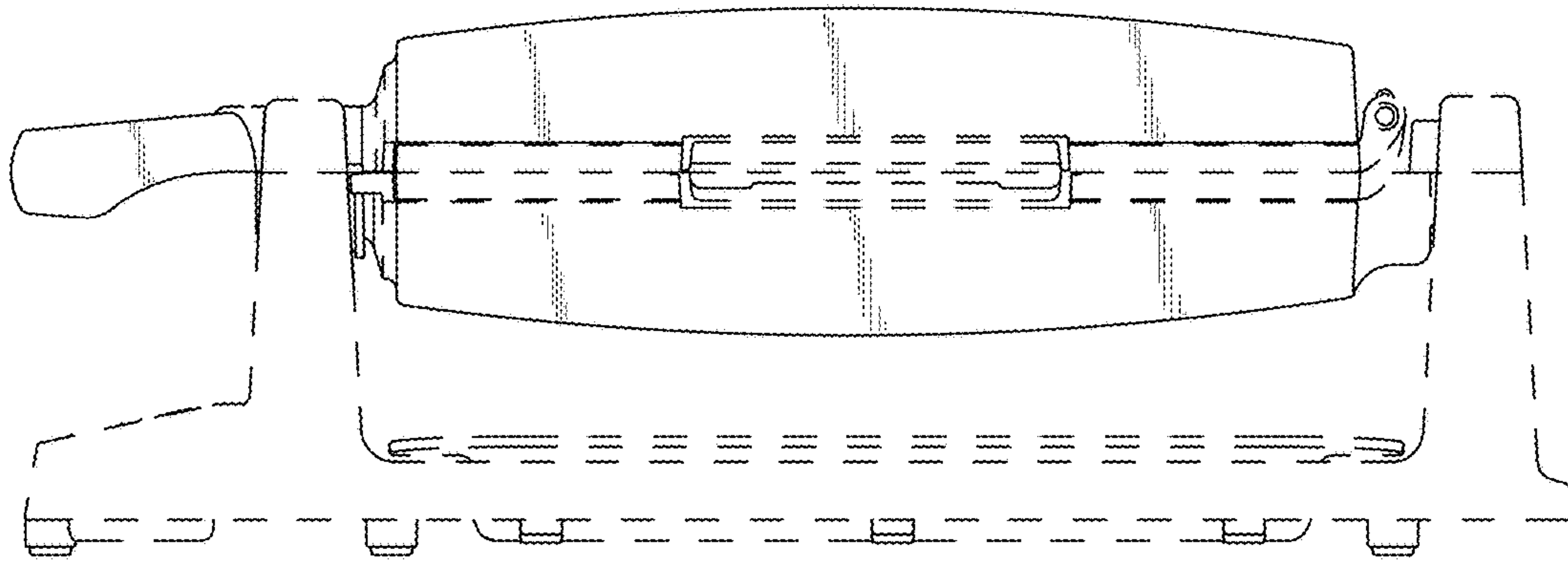


Fig. 1

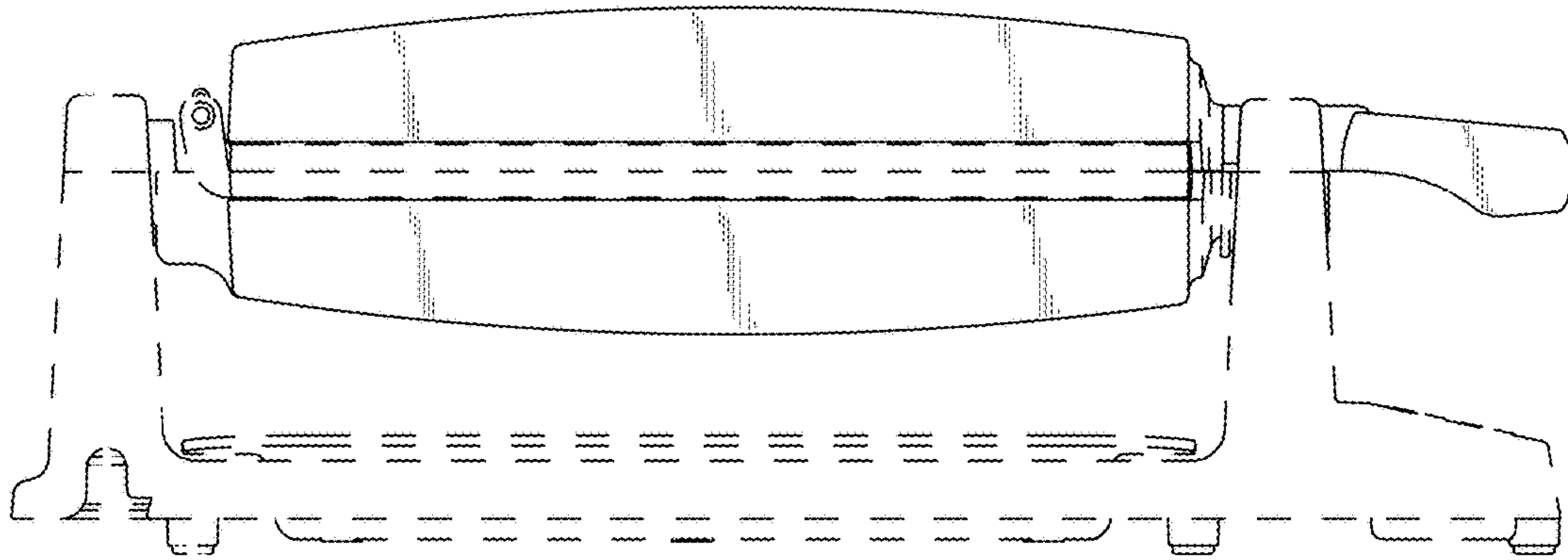


Fig. 2

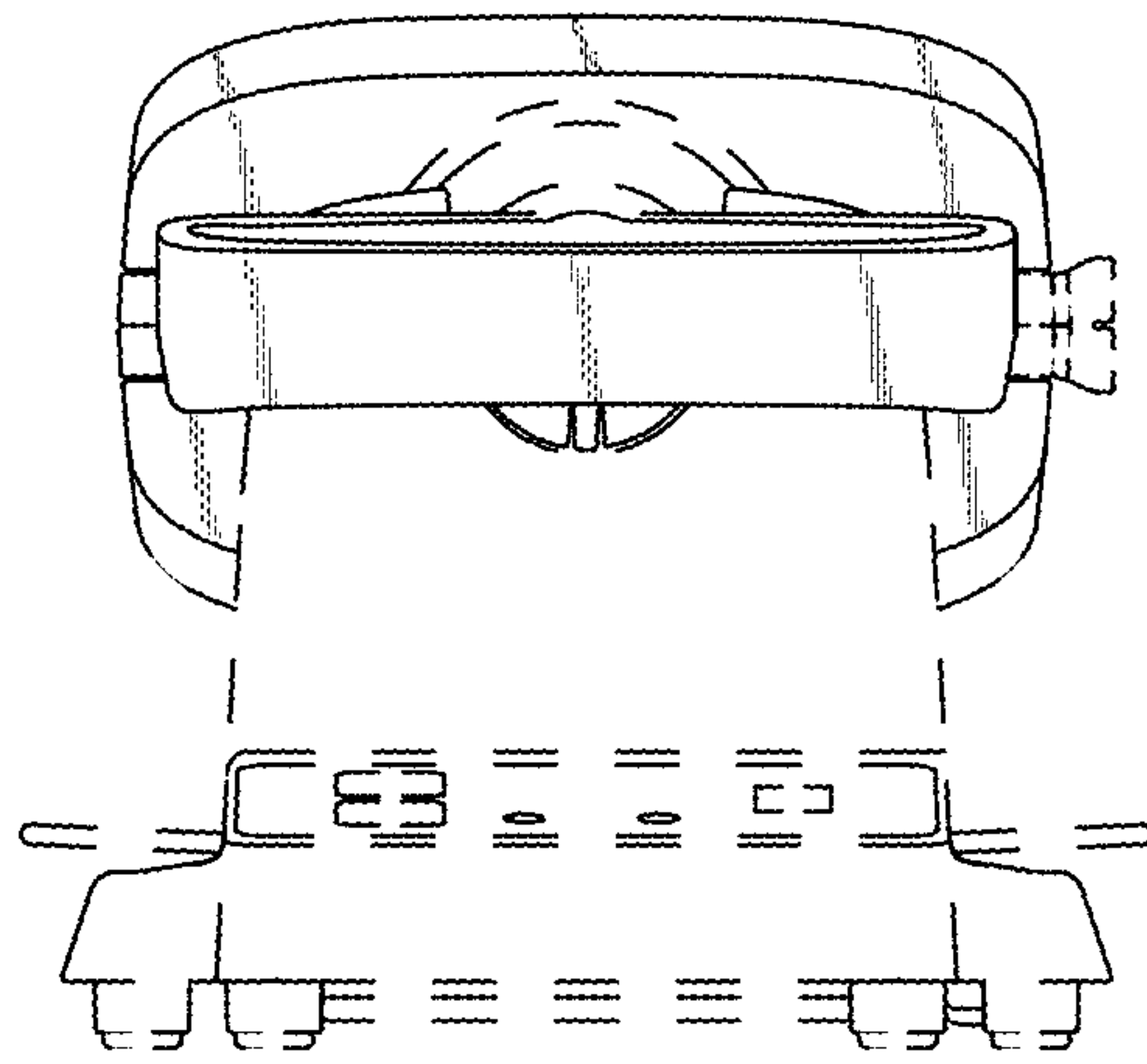


Fig. 3

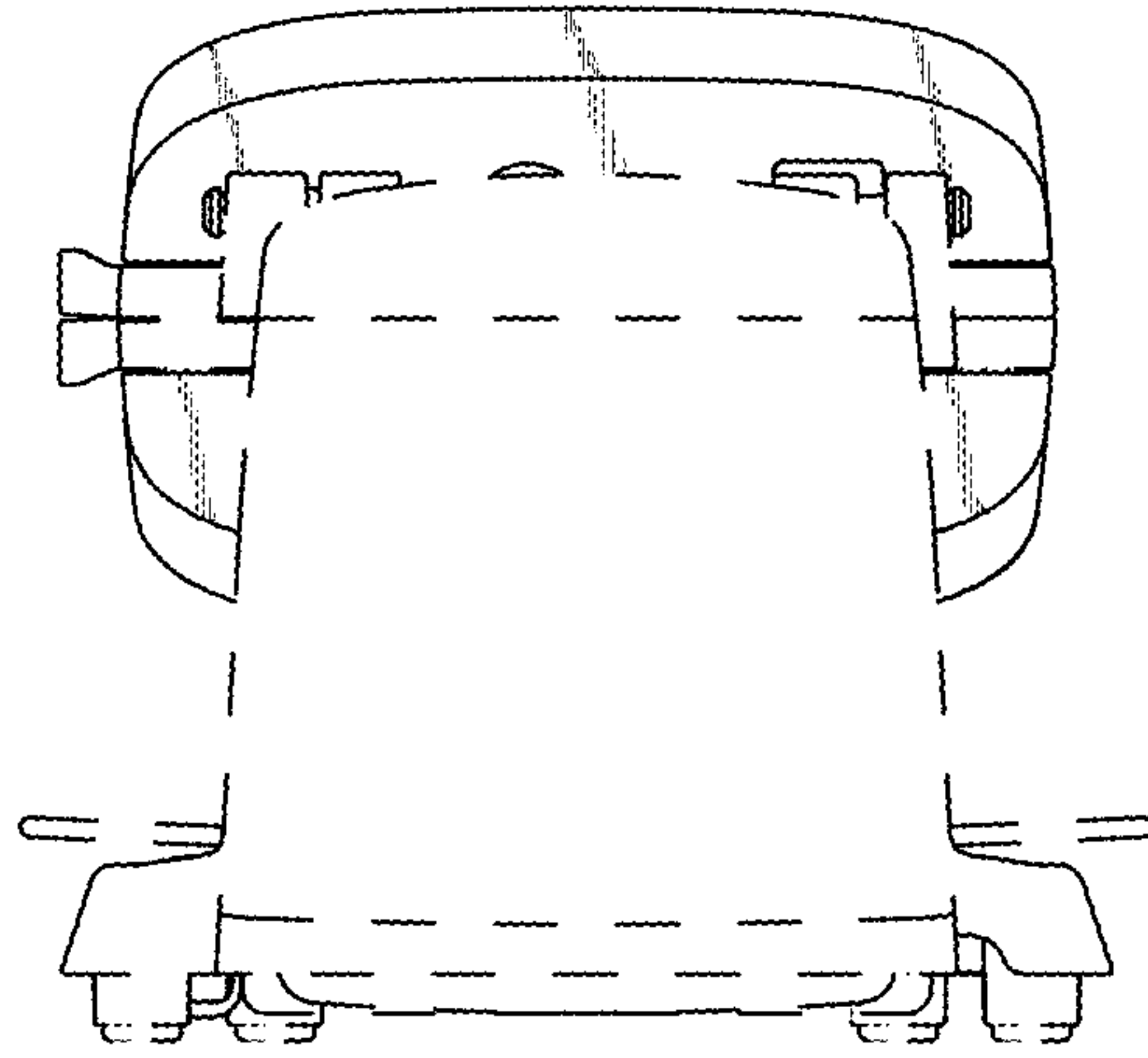


Fig. 4

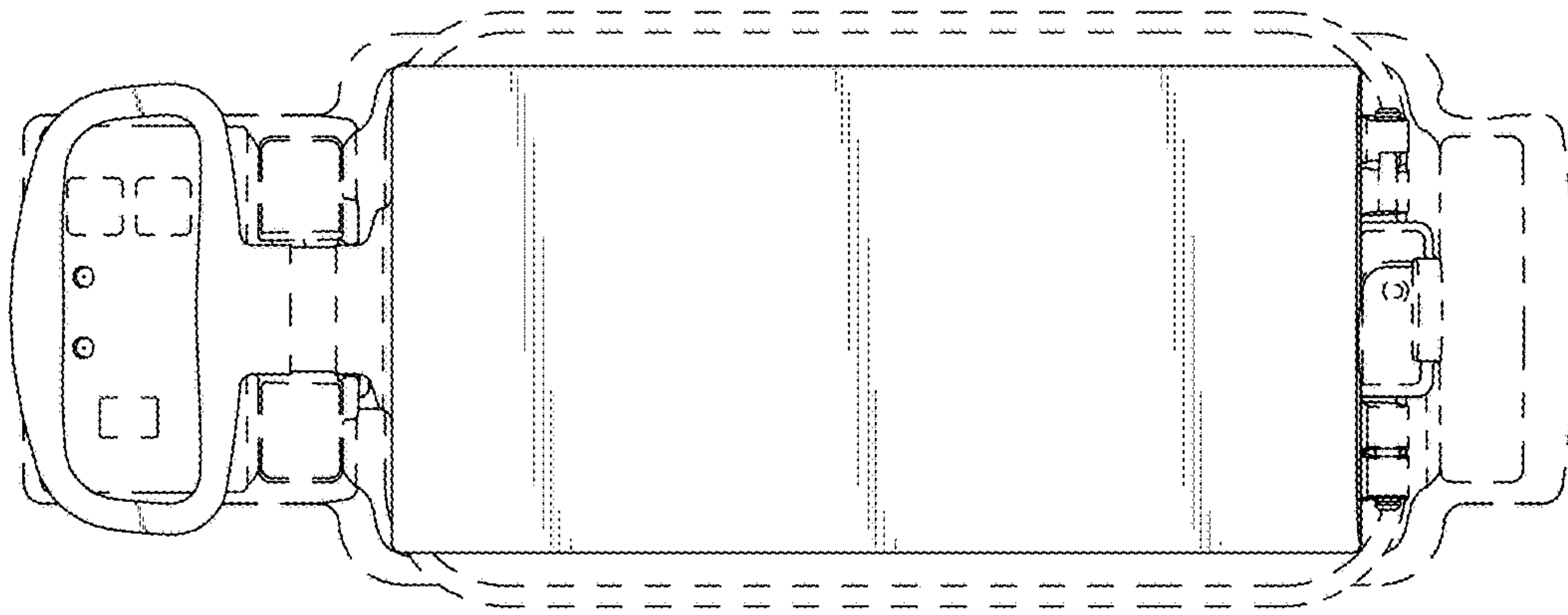


Fig. 5

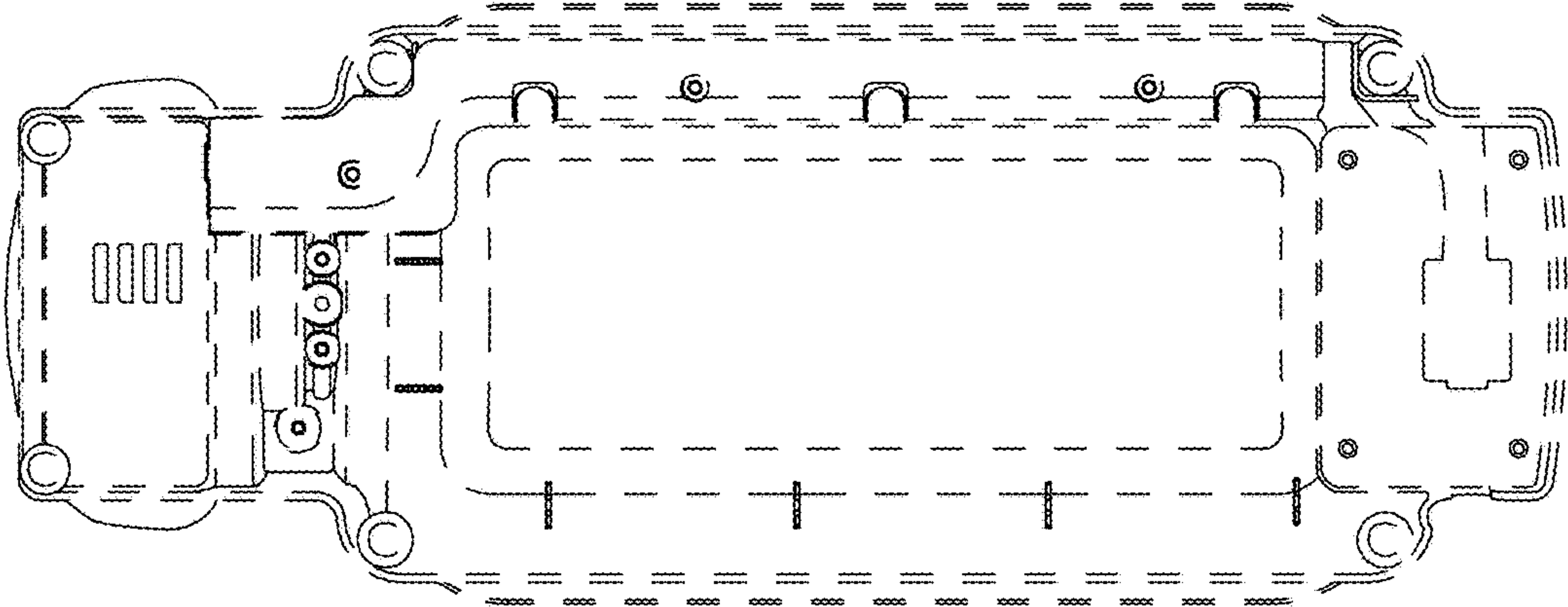


Fig. 6

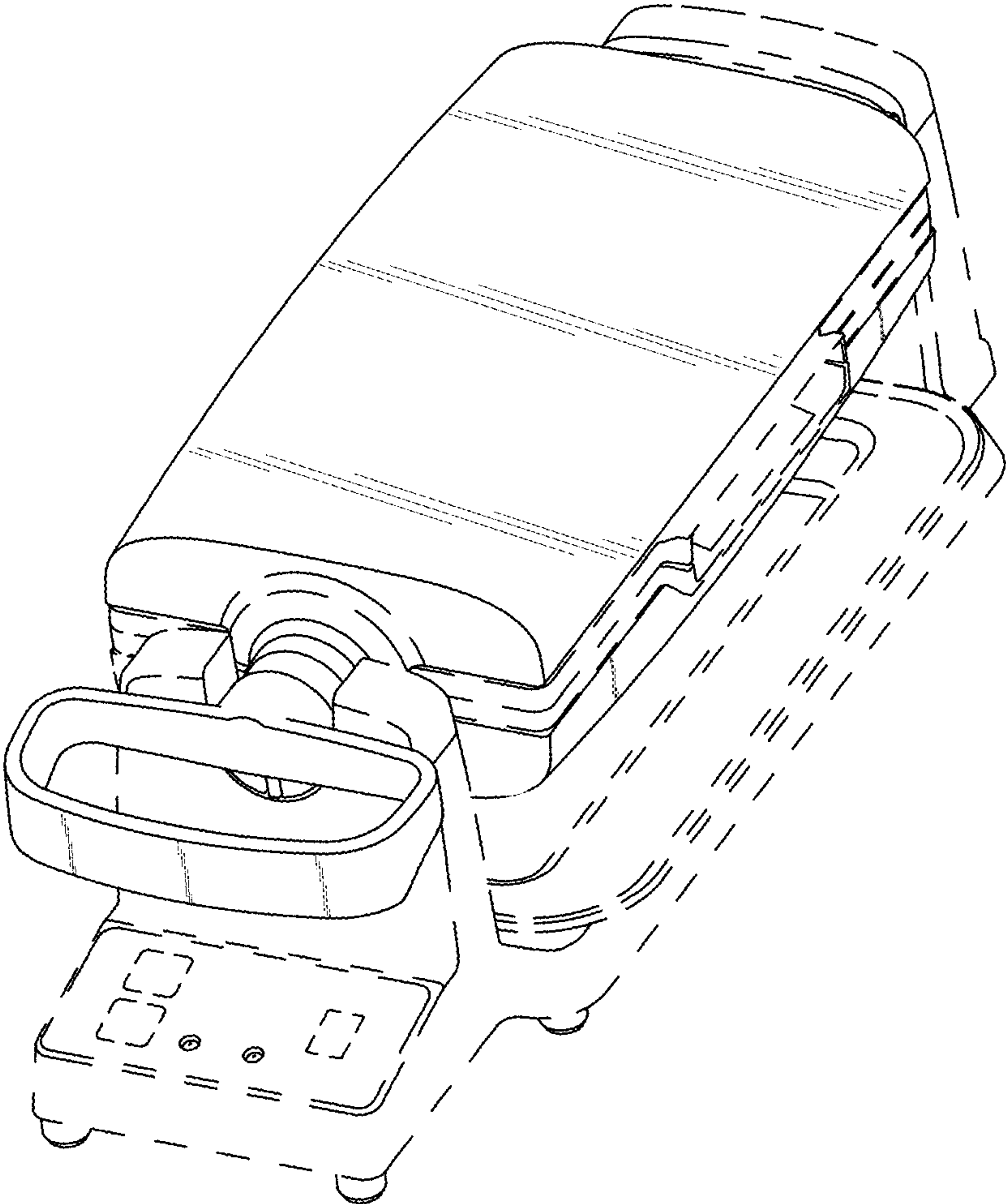


Fig. 7