



US00D790905S

(12) **United States Design Patent** (10) **Patent No.:** **US D790,905 S**  
**Sajjad et al.** (45) **Date of Patent:** **\*\* Jul. 4, 2017**

(54) **OVEN**

(71) Applicant: **Manitowoc Foodservice Companies, LLC**, Manitowoc, WI (US)

(72) Inventors: **Adam Sajjad**, Slough (GB); **Lewis Bannochie**, Kingston Upon Thymes (GB); **Matthew Underwood**, Brockham (GB); **Christopher Anthony**, Arborfield (GB); **Philip John Radford**, Farnham (GB); **Camillo König**, Munich (DE); **Michael Kohlbecher**, Oberhausen (DE); **Evgeny Orkin**, Munich (DE); **Andreas Kauerhof**, Gilching (CZ)

(73) Assignee: **MANITOWOC FOODSERVICE COMPANIES, LLC**, Manitowoc, WI (US)

(\*\*) Term: **15 Years**

(21) Appl. No.: **29/541,514**

(22) Filed: **Oct. 5, 2015**

(51) **LOC (10) Cl.** ..... **07-02**

(52) **U.S. Cl.**  
USPC ..... **D7/339**

(58) **Field of Classification Search**  
USPC ..... D7/306, 323, 328–330, 339–349, 390, D7/402–406, 665  
CPC ... A21B 2/00; A47J 37/00; A47J 37/06; A47J 37/0611; A47J 37/08; A47J 37/0807; A47J 37/0814; A47J 37/0835; A47J 37/0842; A47J 37/085; A47J 37/0864; A47J 37/0878; A47J 37/0885; A47J 37/0892; A47J 39/003; F24C 7/00; F24C 7/002; F24C 7/046; F24C 7/067; F24C 15/02; F24C 15/04; F24C 15/10; F24C 15/102

See application file for complete search history.

(56) **References Cited**

U.S. PATENT DOCUMENTS

D238,299	S	*	12/1975	Klemm	.....	D34/19
4,730,100	A	*	3/1988	Pingelton	.....	A47J 39/003 219/386
D573,400	S	*	7/2008	Olson	.....	D7/339
D598,236	S	*	8/2009	Dyson et al.	.....	D7/328
D603,649	S	*	11/2009	Chung et al.	.....	D7/330
D604,121	S	*	11/2009	Gammack et al.	.....	D7/665
D609,958	S	*	2/2010	Chung et al.	.....	D7/330
D622,091	S	*	8/2010	Knox et al.	.....	D7/330
D636,214	S	*	4/2011	Parker et al.	.....	D7/306
D657,185	S	*	4/2012	Segato	.....	D7/348
D742,162	S	*	11/2015	Edwards	.....	D7/347
D756,698	S	*	5/2016	Schwamkrug et al.	.....	D7/339
D773,231	S	*	12/2016	Franzolin	.....	D7/339

\* cited by examiner

*Primary Examiner* — Ricky Pham  
(74) *Attorney, Agent, or Firm* — Ohlandt, Greeley, Ruggiero & Perle, L.L.P.

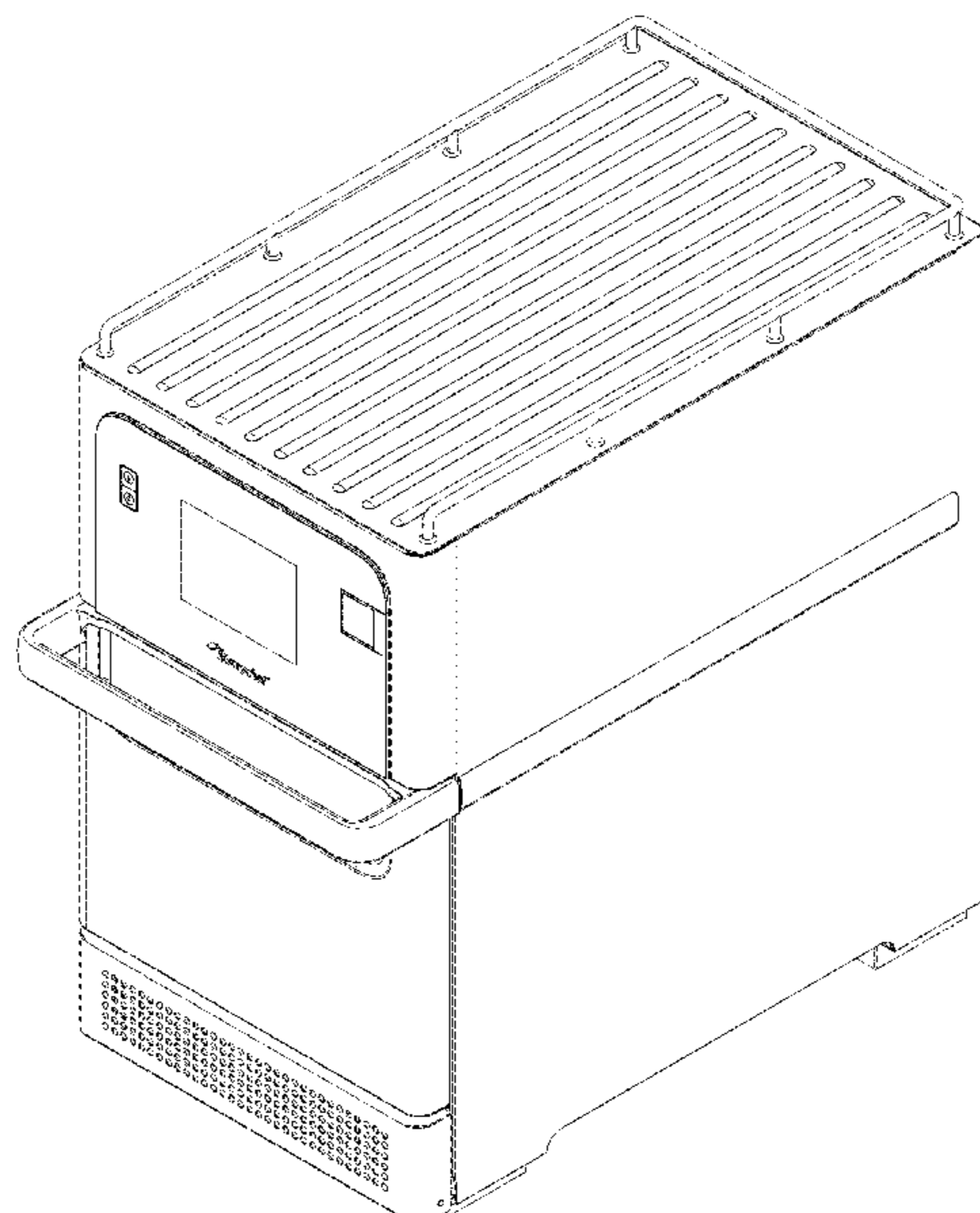
(57) **CLAIM**

The ornamental design for an oven, as shown and described.

**DESCRIPTION**

FIG. 1 is a top, front, side perspective view of an oven according to the present design;  
FIG. 2 is a front view of the oven of FIG. 1;  
FIG. 3 is a rear view of the oven of FIG. 1;  
FIG. 4 is a right side view of the oven of FIG. 1;  
FIG. 5 is a left side view of the oven of FIG. 1;  
FIG. 6 is a top view of the oven of FIG. 1; and,  
FIG. 7 is a bottom view of the oven of FIG. 1.

**1 Claim, 7 Drawing Sheets**



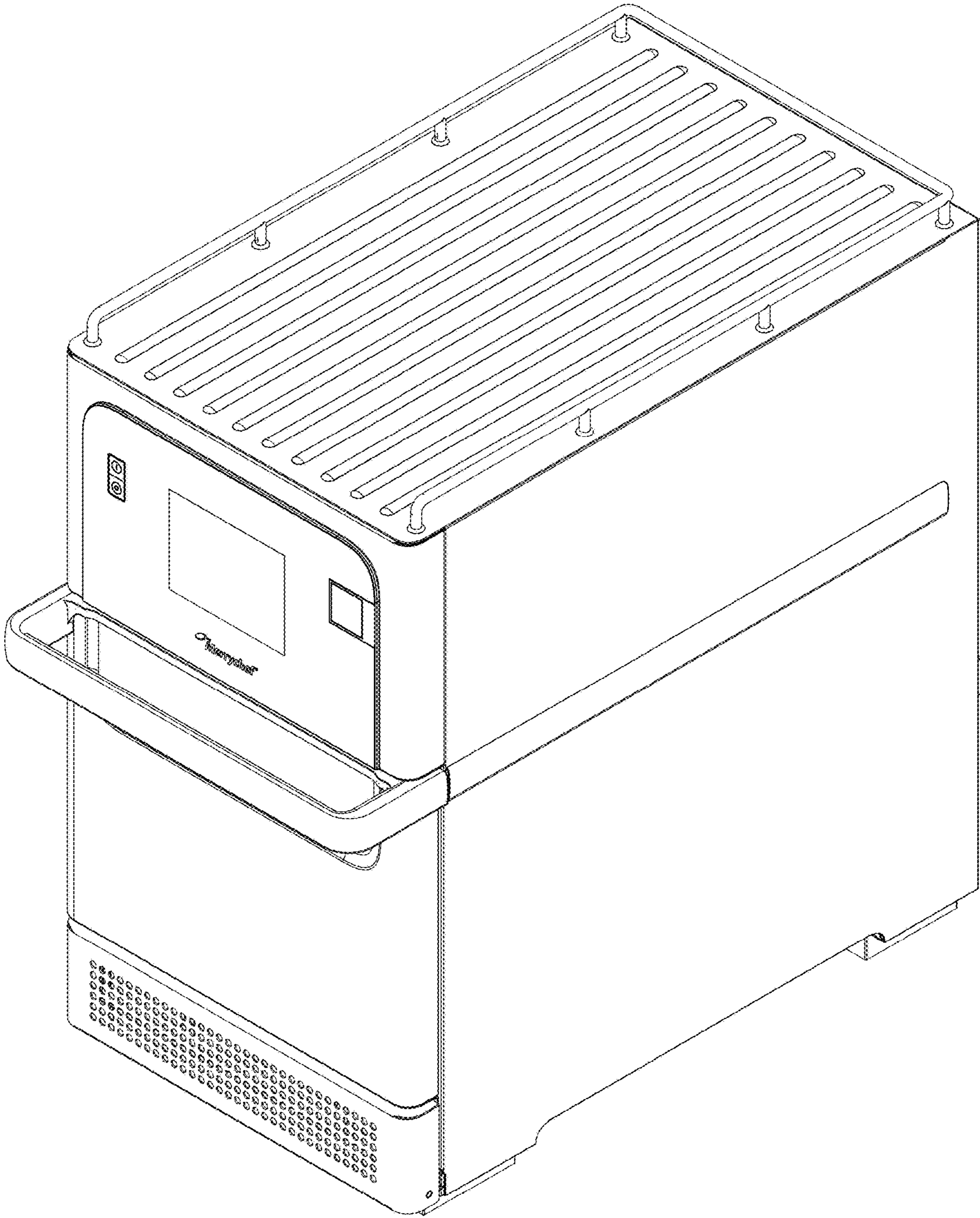


FIG. 1

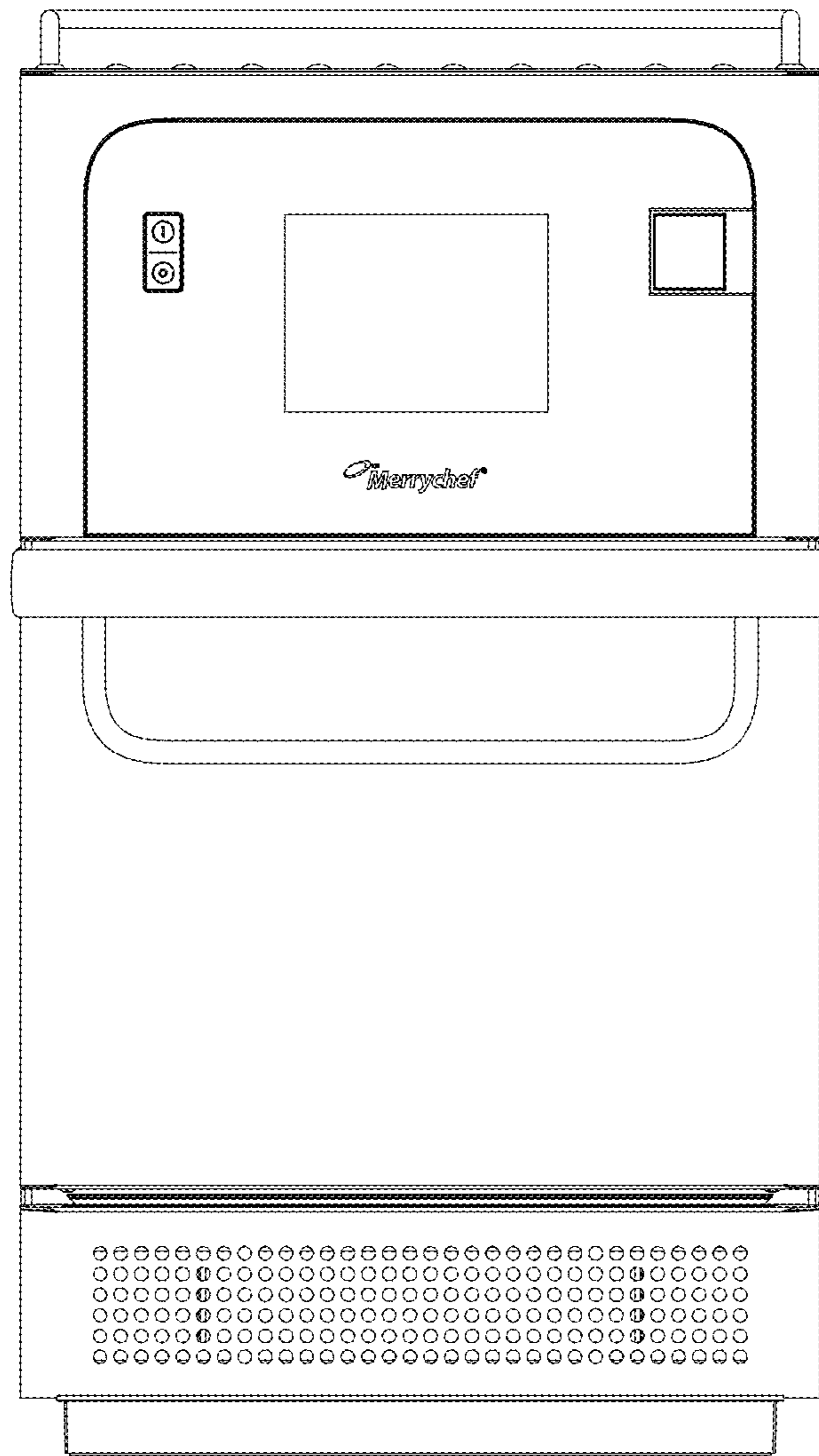


FIG. 2

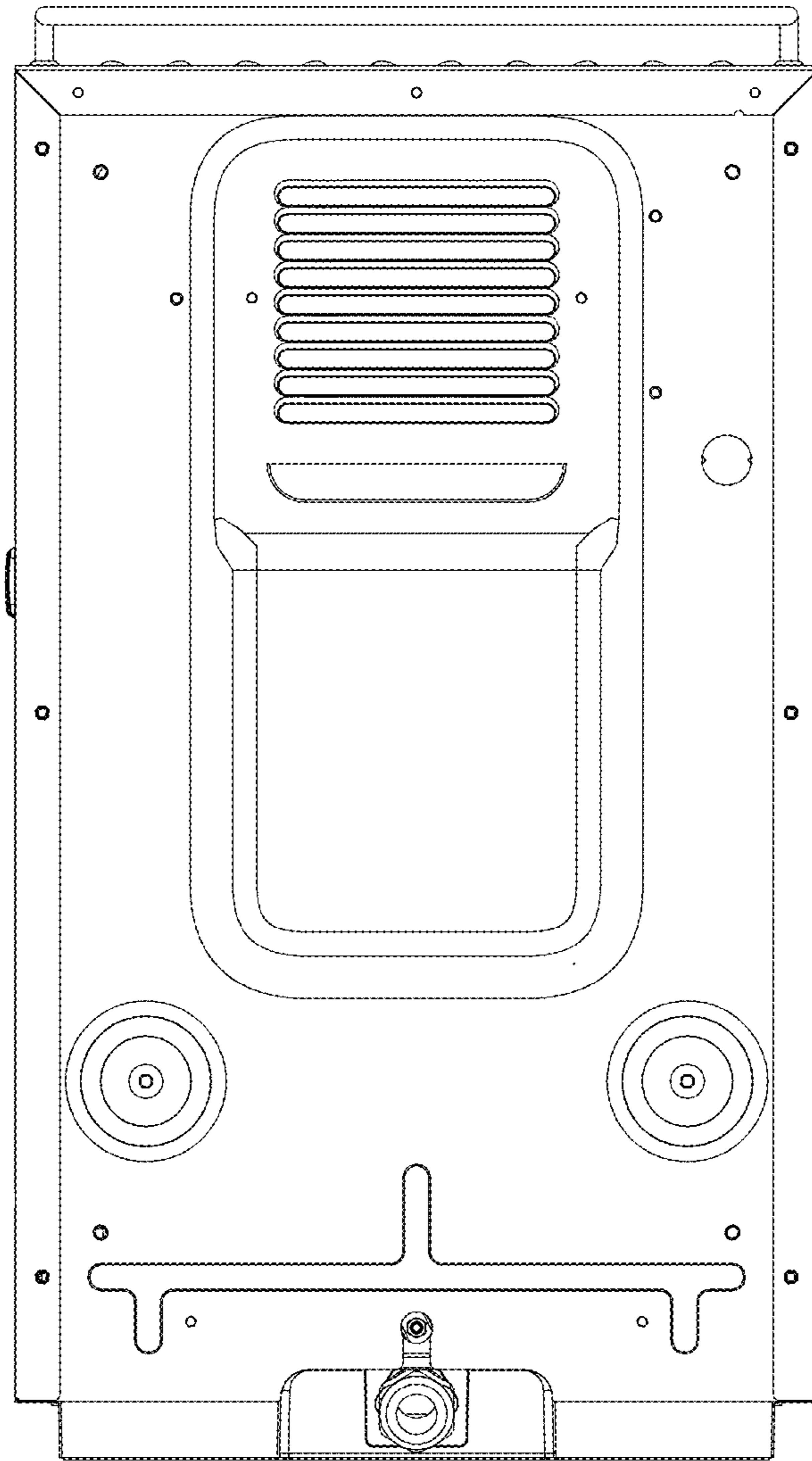


FIG. 3

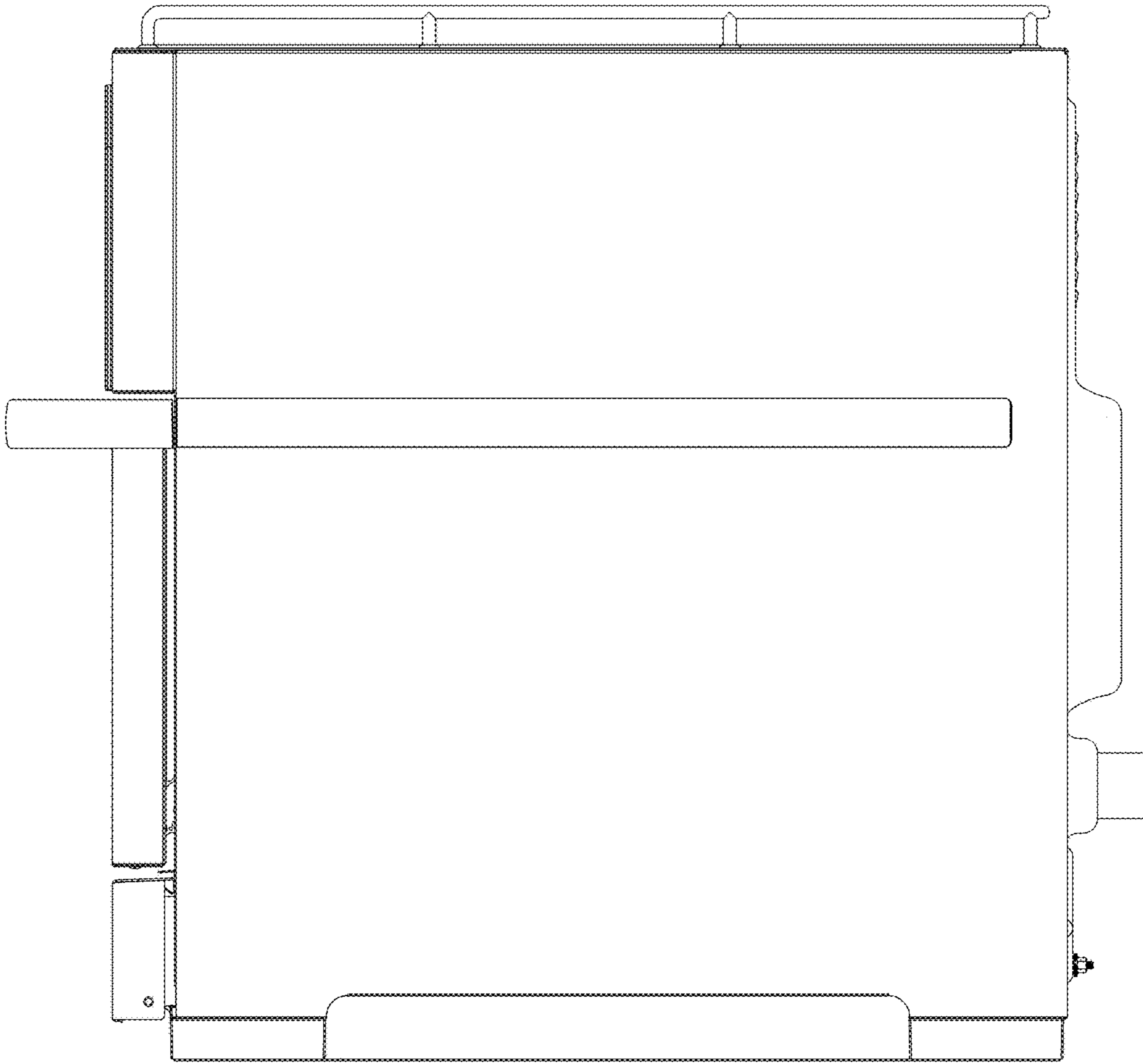


FIG. 4

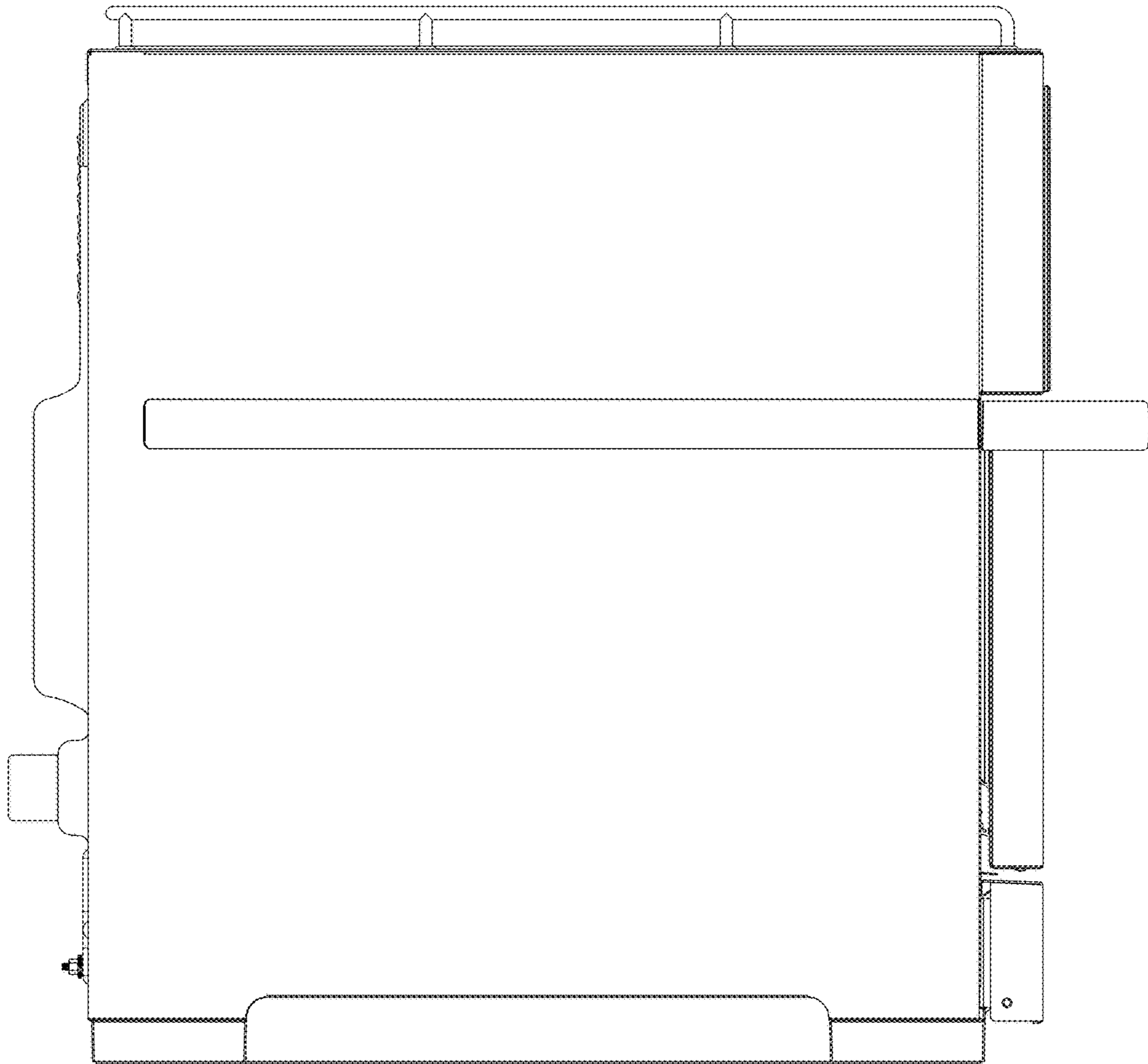
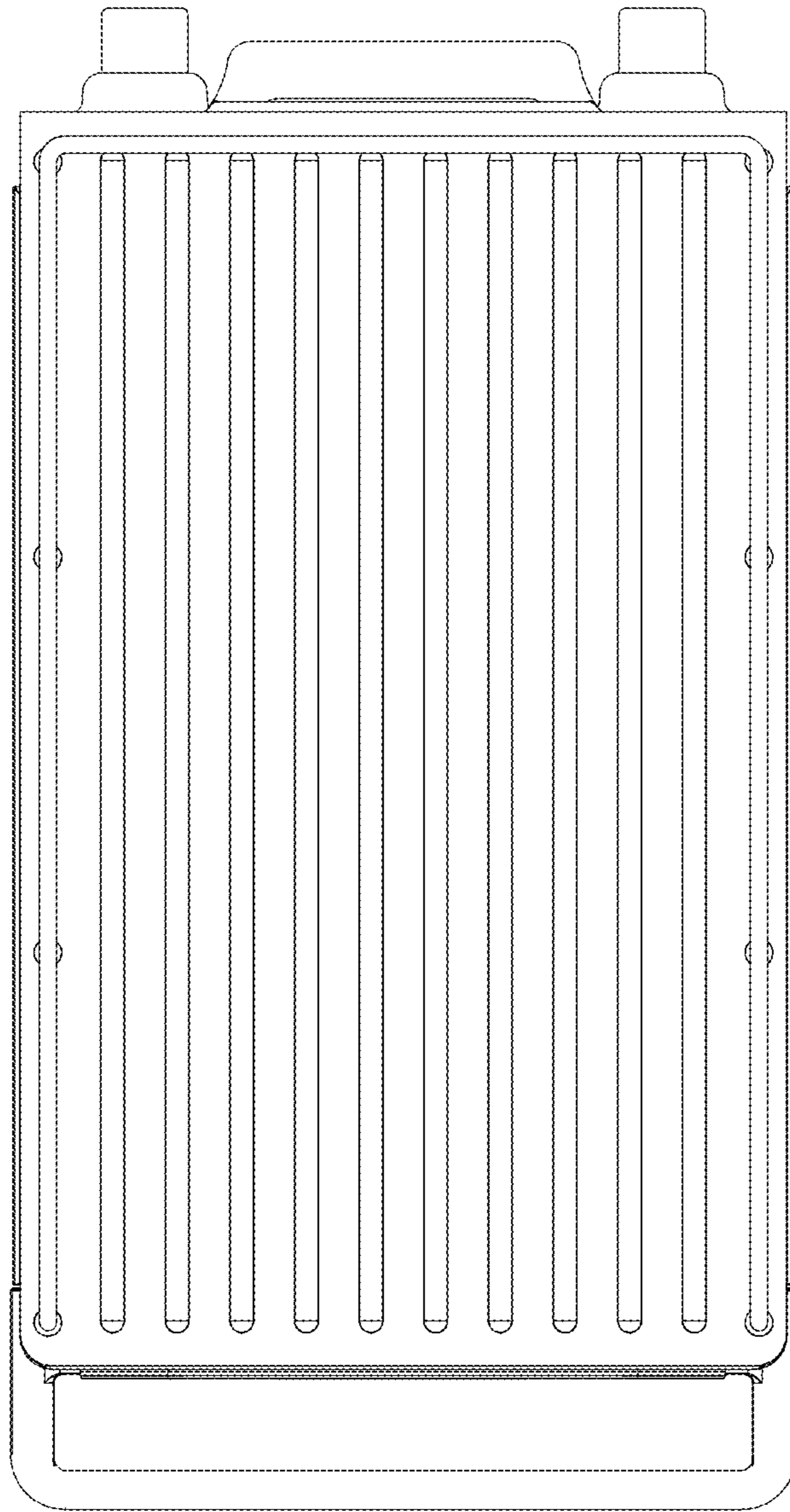


FIG. 5



*FIG. 6*

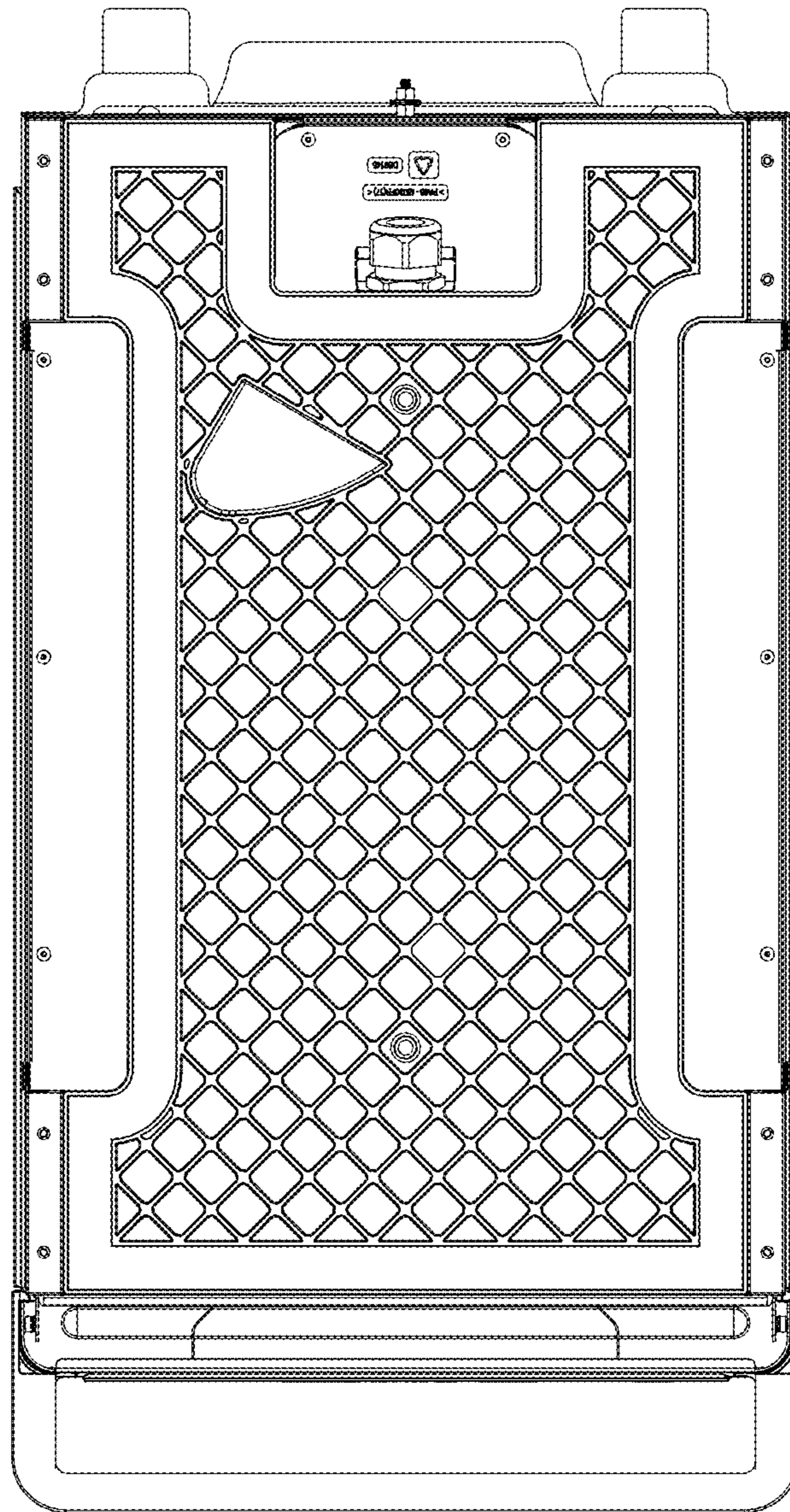


FIG. 7