



US00D790904S

(12) **United States Design Patent** (10) **Patent No.:** **US D790,904 S**
Sajjad et al. (45) **Date of Patent:** **** Jul. 4, 2017**

(54) **OVEN**

(71) Applicant: **Manitowoc Foodservice Companies, LLC**, Manitowoc, WI (US)

(72) Inventors: **Adam Sajjad**, Slough (GB); **Lewis Bannochie**, Kingston Upon Thames (GB); **Matthew Underwood**, Brockham (GB); **Christopher Anthony**, Arborfield (GB); **Philip John Radford**, Farnham (GB); **Camillo König**, Munich (DE); **Michael Kohlbecher**, Oberhausen (DE); **Evgeny Orkin**, Munich (DE); **Andreas Kauerhof**, Gilching (DE)

(73) Assignee: **Manitowoc Foodservice Companies, LLC**, Manitowoc, WI (US)

(**) Term: **15 Years**

(21) Appl. No.: **29/541,512**

(22) Filed: **Oct. 5, 2015**

(51) **LOC (10) Cl.** **07-02**

(52) **U.S. Cl.**
USPC **D7/339**

(58) **Field of Classification Search**
 USPC D7/306, 323, 328-330, 339-349, 390, D7/402-406, 665
 CPC ... A21B 2/00; A47J 37/00; A47J 37/06; A47J 37/0611; A47J 37/08; A47J 37/0807; A47J 37/0814; A47J 37/0835; A47J 37/0842; A47J 37/085; A47J 37/0864; A47J 37/0878; A47J 37/0885; A47J 37/0892; A47J 39/003; F24C 7/00; F24C 7/002; F24C 7/046; F24C 7/067; F24C 15/02; F24C 15/04; F24C 15/10; F24C 15/102

See application file for complete search history.

(56) **References Cited**

U.S. PATENT DOCUMENTS

D238,299 S *	12/1975	Klemm	D34/19
4,730,100 A *	3/1988	Pingelton	A47J 39/003 219/386
D573,400 S *	7/2008	Olson	D7/339
D598,236 S *	8/2009	Dyson	D7/328
D603,649 S *	11/2009	Chung	D7/330
D604,121 S *	11/2009	Gammack	D7/665
D609,958 S *	2/2010	Chung	D7/330
D622,091 S *	8/2010	Knox	D7/330
D636,214 S *	4/2011	Parker	D7/306
D657,185 S *	4/2012	Segato	D7/348
D742,162 S *	11/2015	Edwards	D7/347
D756,698 S *	5/2016	Schwamkrug	D7/339
D773,231 S *	12/2016	Franzolin	D7/339

* cited by examiner

Primary Examiner — Ricky Pham

(74) *Attorney, Agent, or Firm* — Ohlandt, Greeley, Ruggiero & Perle, L.L.P.

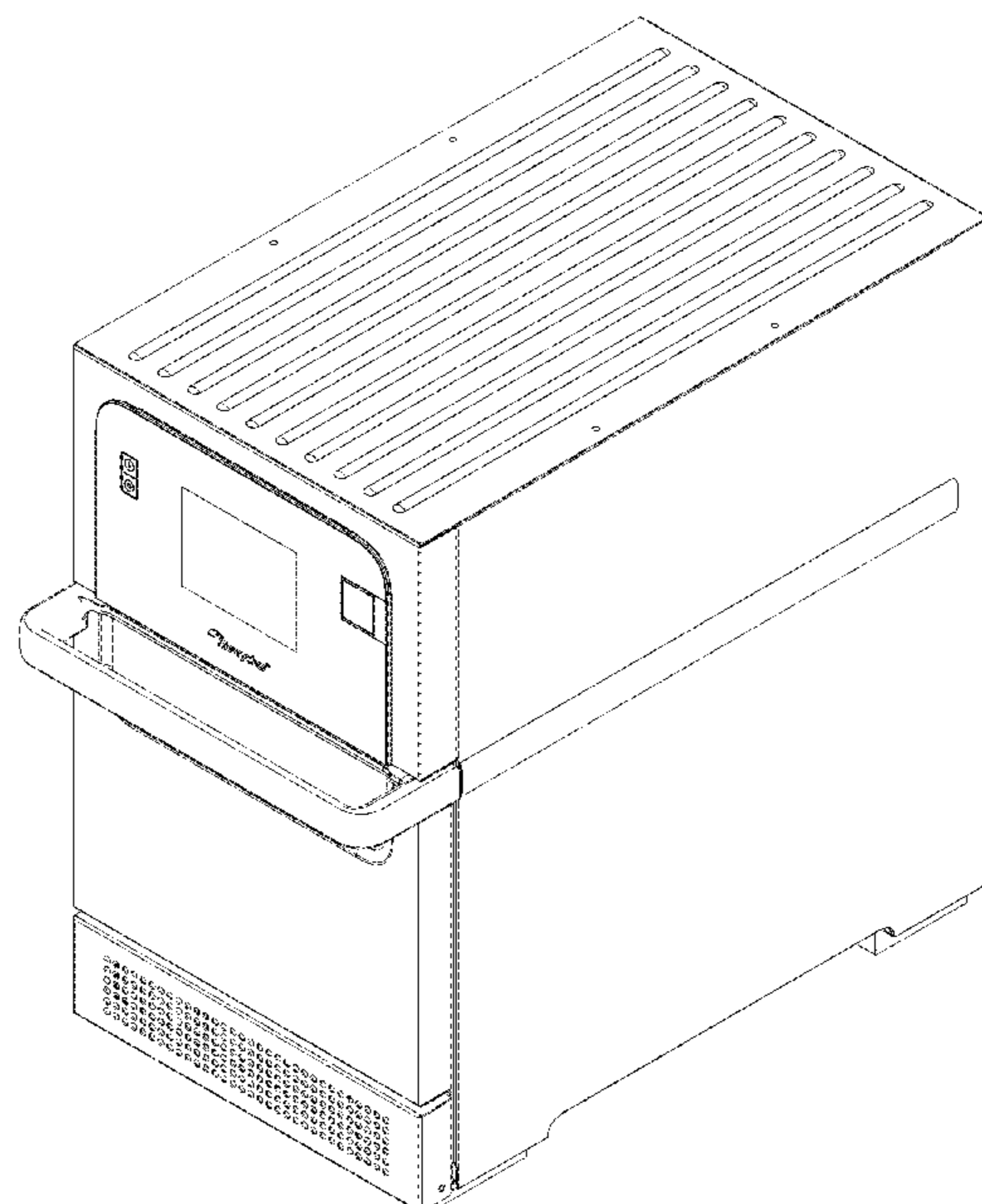
(57) **CLAIM**

The ornamental design for an oven, as shown and described.

DESCRIPTION

FIG. 1 is a top, front, side perspective view of an oven according to the present design;
 FIG. 2 is a front view of the oven of FIG. 1;
 FIG. 3 is a rear view of the oven of FIG. 1;
 FIG. 4 is a right side view of the oven of FIG. 1;
 FIG. 5 is a left side view of the oven of FIG. 1;
 FIG. 6 is a top view of the oven of FIG. 1; and,
 FIG. 7 is a bottom view of the oven of FIG. 1.

1 Claim, 7 Drawing Sheets



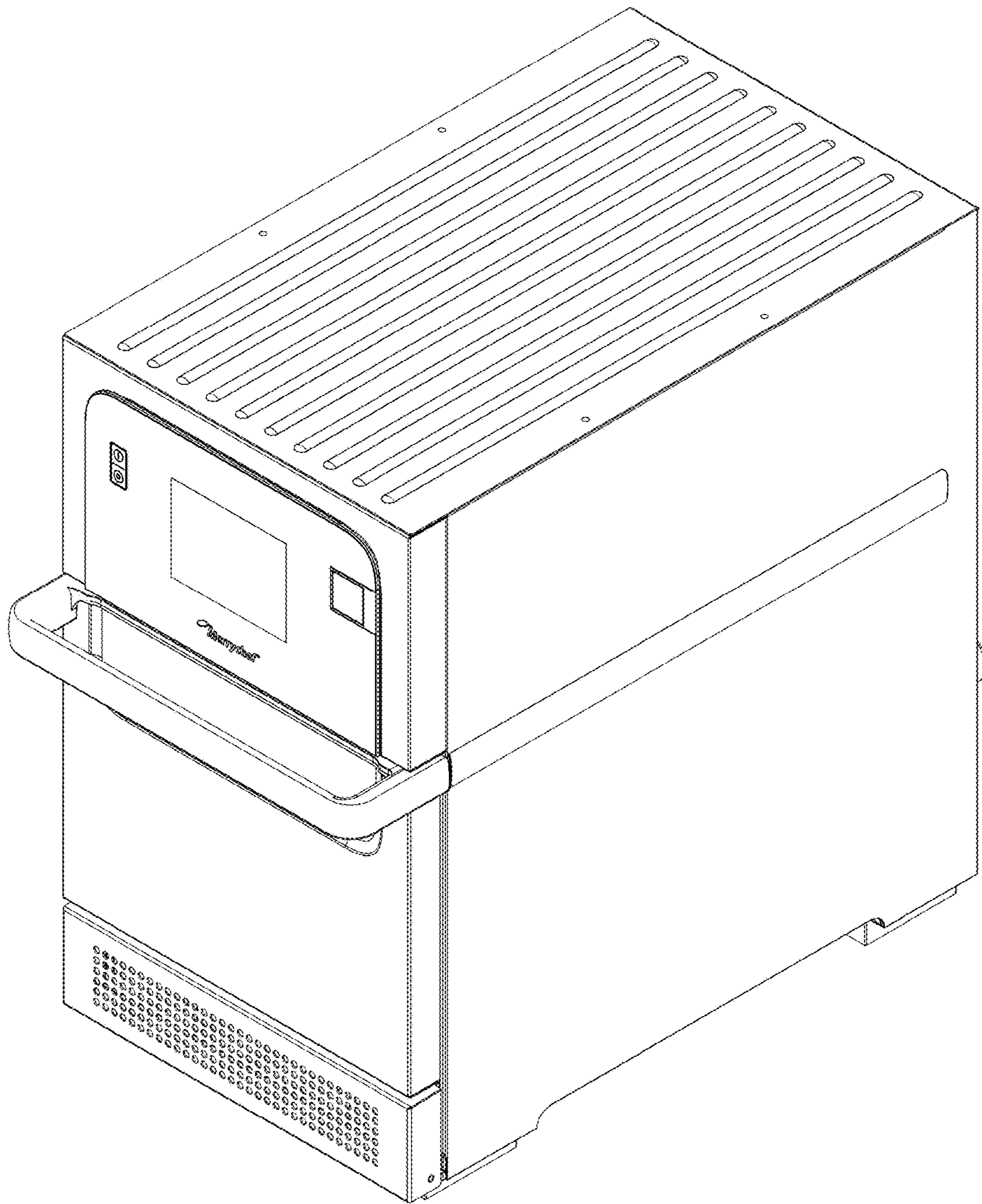


FIG. 1

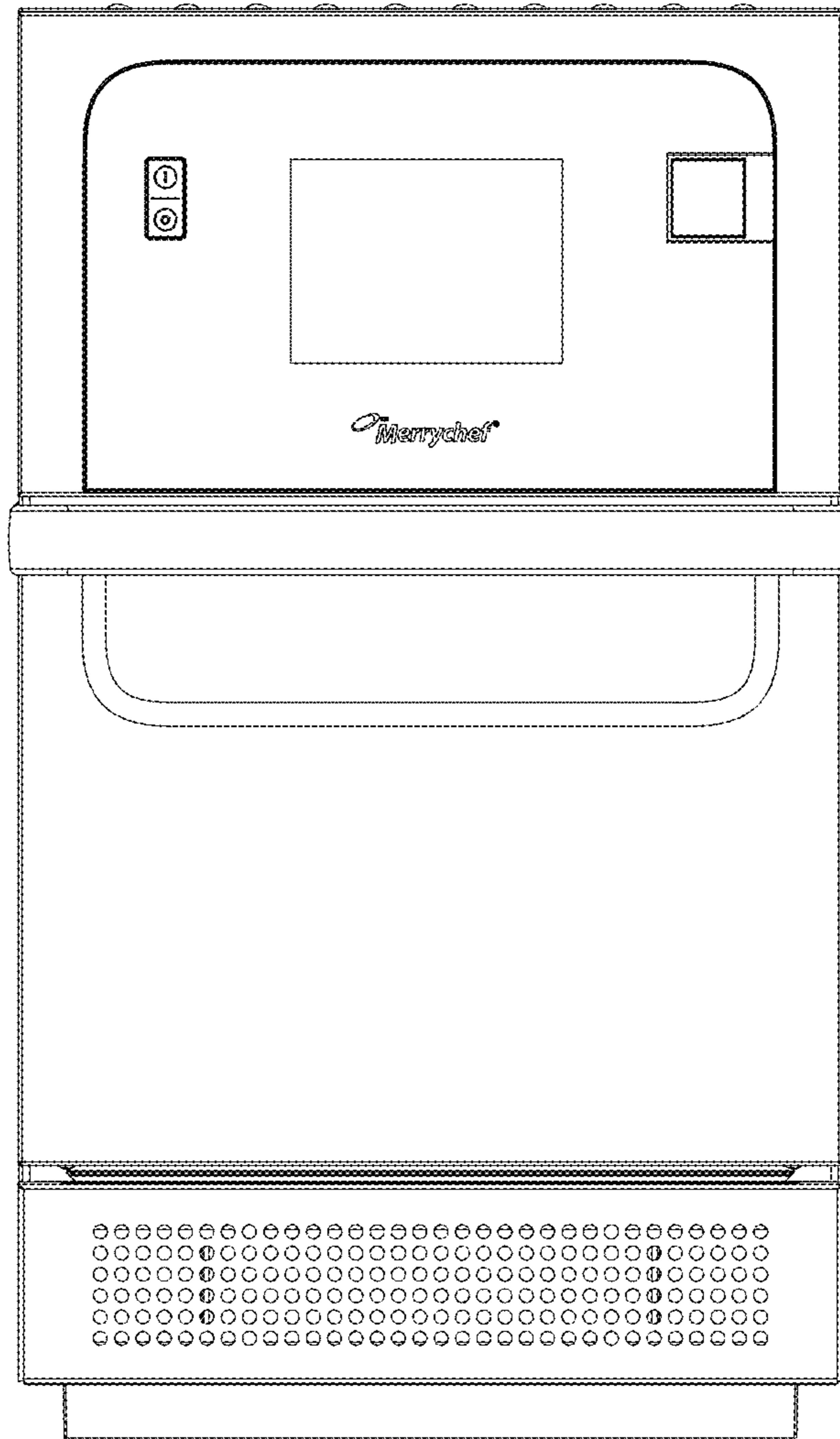


FIG. 2

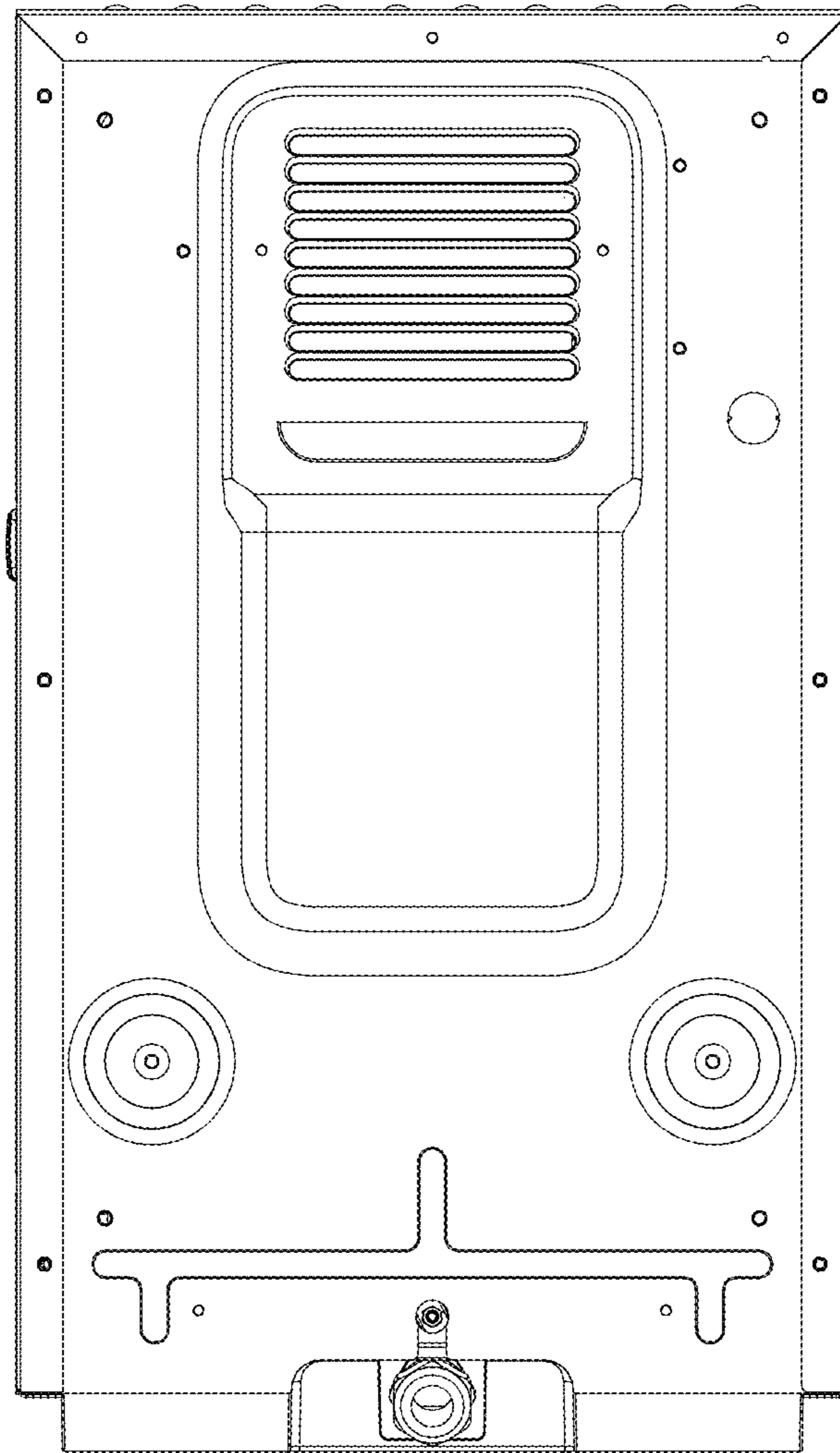


FIG. 3

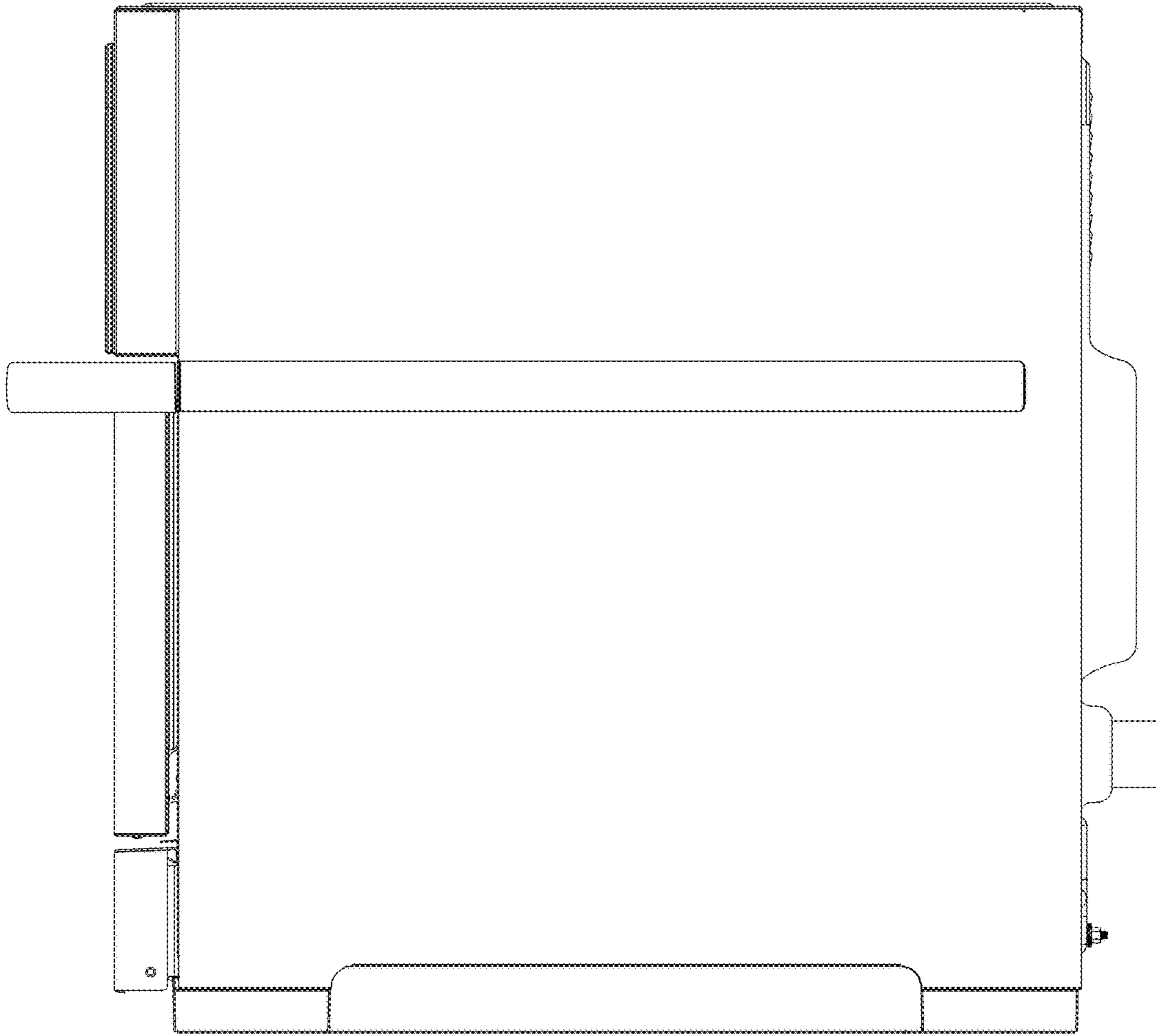


FIG. 4

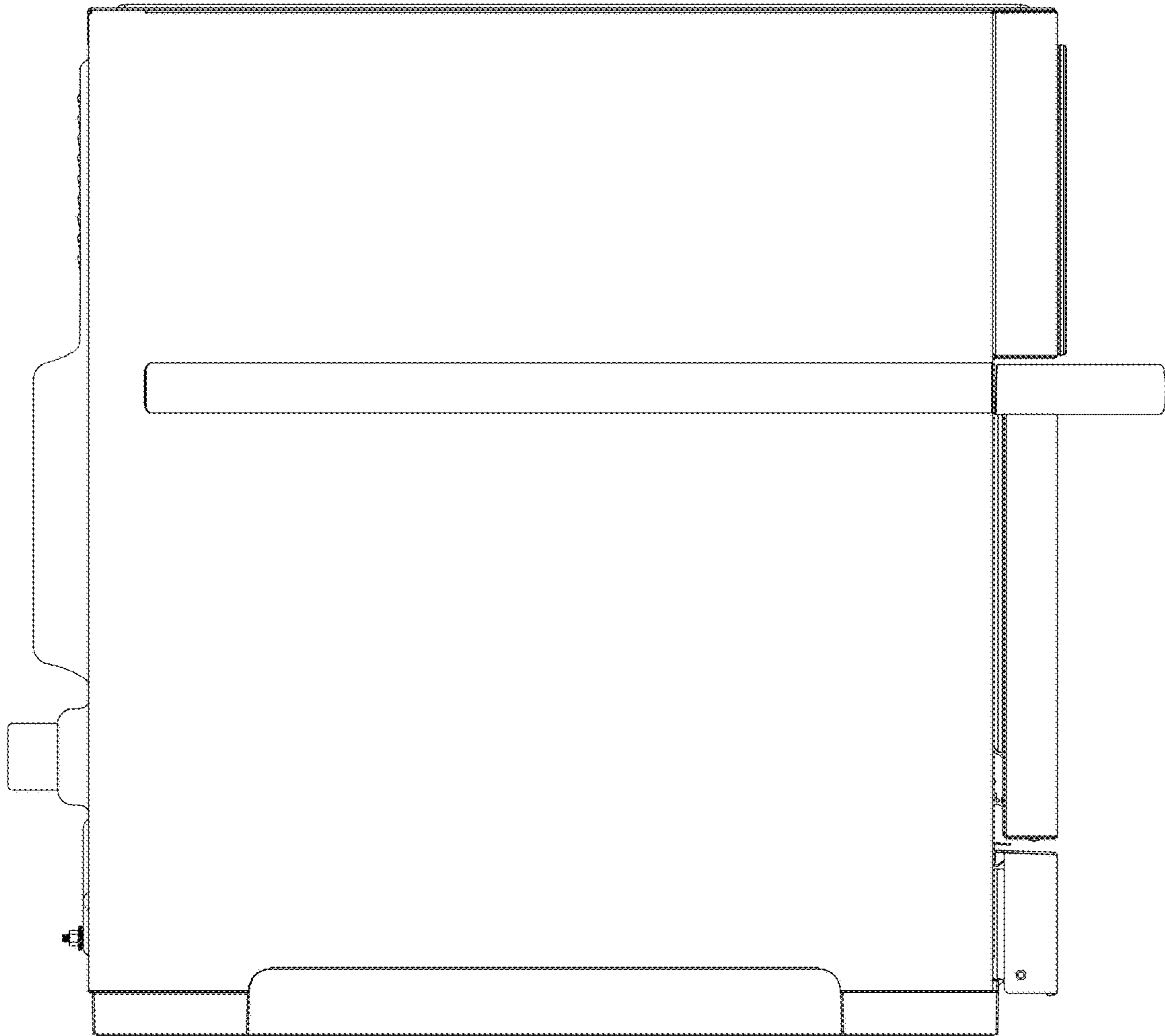


FIG. 5

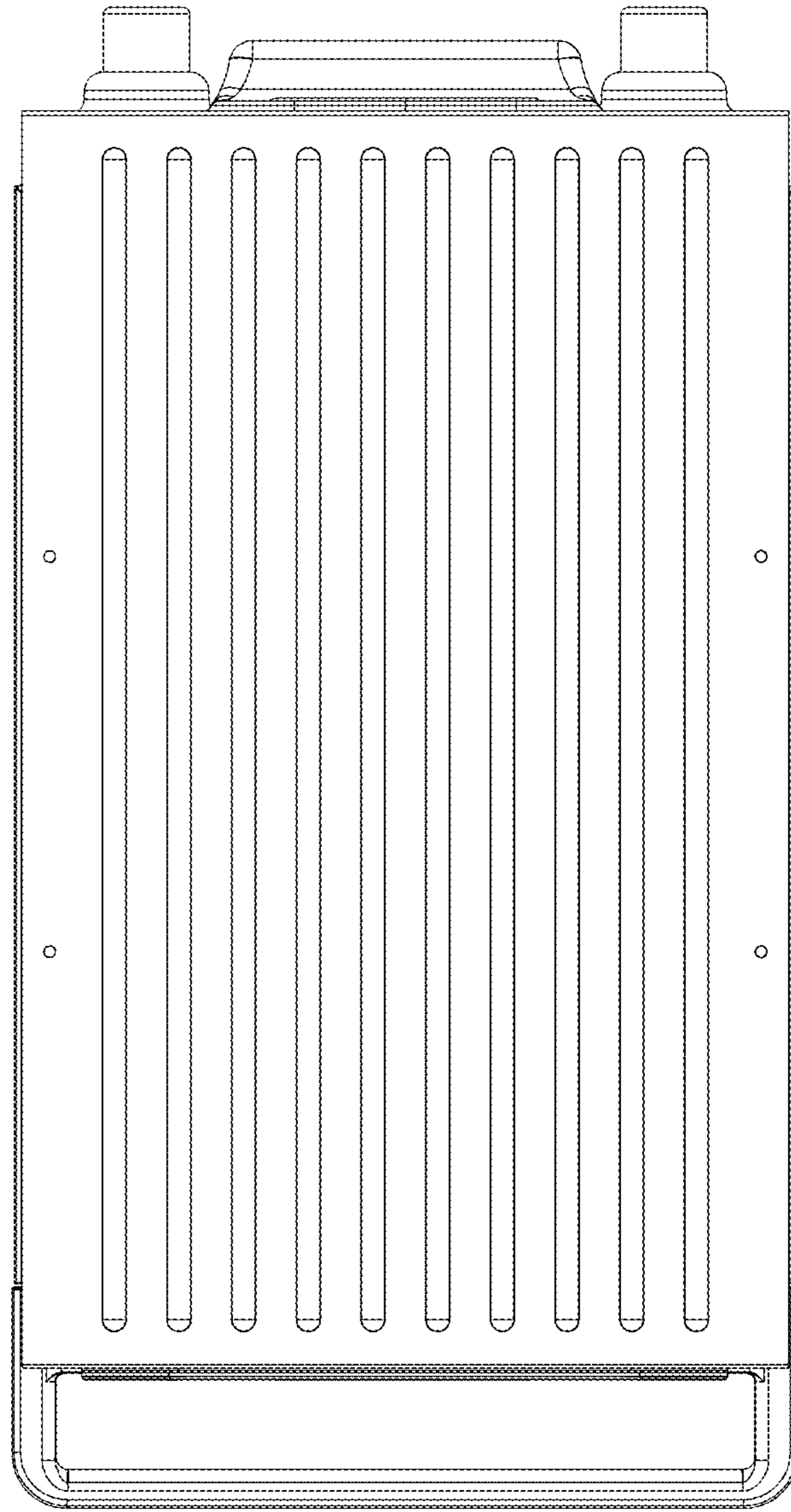


FIG. 6

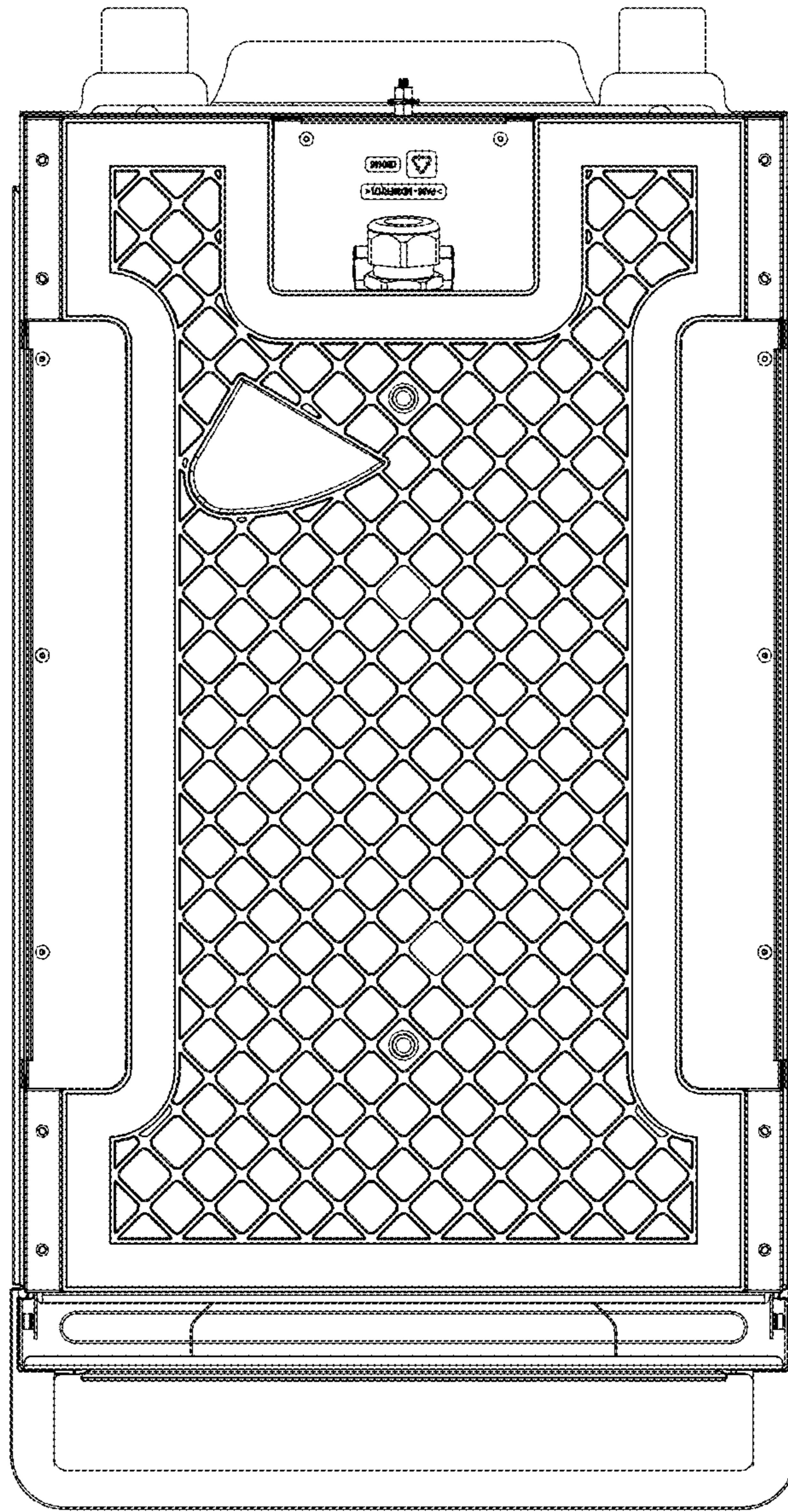


FIG. 7