



US00D790903S

(12) **United States Design Patent**
Yang

(10) **Patent No.:** **US D790,903 S**

(45) **Date of Patent:** **** Jul. 4, 2017**

(54) **BARBECUE GRILL**

(71) Applicant: **Hui-Feng Yang**, Taichung (TW)

(72) Inventor: **Hui-Feng Yang**, Taichung (TW)

(**) Term: **15 Years**

(21) Appl. No.: **29/564,777**

(22) Filed: **May 16, 2016**

(51) **LOC (10) Cl.** **07-02**

(52) **U.S. Cl.**
USPC **D7/337**

(58) **Field of Classification Search**
USPC D7/213, 323, 324, 325, 326, 327, 328,
D7/329, 330, 331, 332, 333, 334, 335,
D7/336, 337, 402, 404, 405, 406, 407
CPC A47J 2037/0777; A47J 33/00; A47J 37/04;
A47J 37/041; A47J 37/07-37/0713; A47J
37/0718-37/0727; A47J 37/0731-37/074;
A47J 37/0745-37/0772; A47J 37/0781
See application file for complete search history.

D744,775 S * 12/2015 Yang D7/334
D747,910 S * 1/2016 Costa D7/337
D760,012 S * 6/2016 Lin D7/337
2008/0017185 A1* 1/2008 Lee F23D 14/045
126/39 K
2010/0116262 A1* 5/2010 Voges A47J 37/04
126/25 R
2010/0252020 A1* 10/2010 Siow A47J 37/0713
126/25 R
2011/0214574 A1* 9/2011 Chang A47J 37/00
99/340
2015/0196163 A1* 7/2015 Robles A47J 33/00
126/25 R
2015/0285507 A1* 10/2015 Troyer, Jr. F24B 1/182
126/30

* cited by examiner

Primary Examiner — Susan Bennett Hattan
Assistant Examiner — Suzanne Tisdell
(74) *Attorney, Agent, or Firm* — Egbert Law Offices,
PLLC

(57) **CLAIM**

The ornamental design for a barbecue grill, as shown and described.

(56) **References Cited**

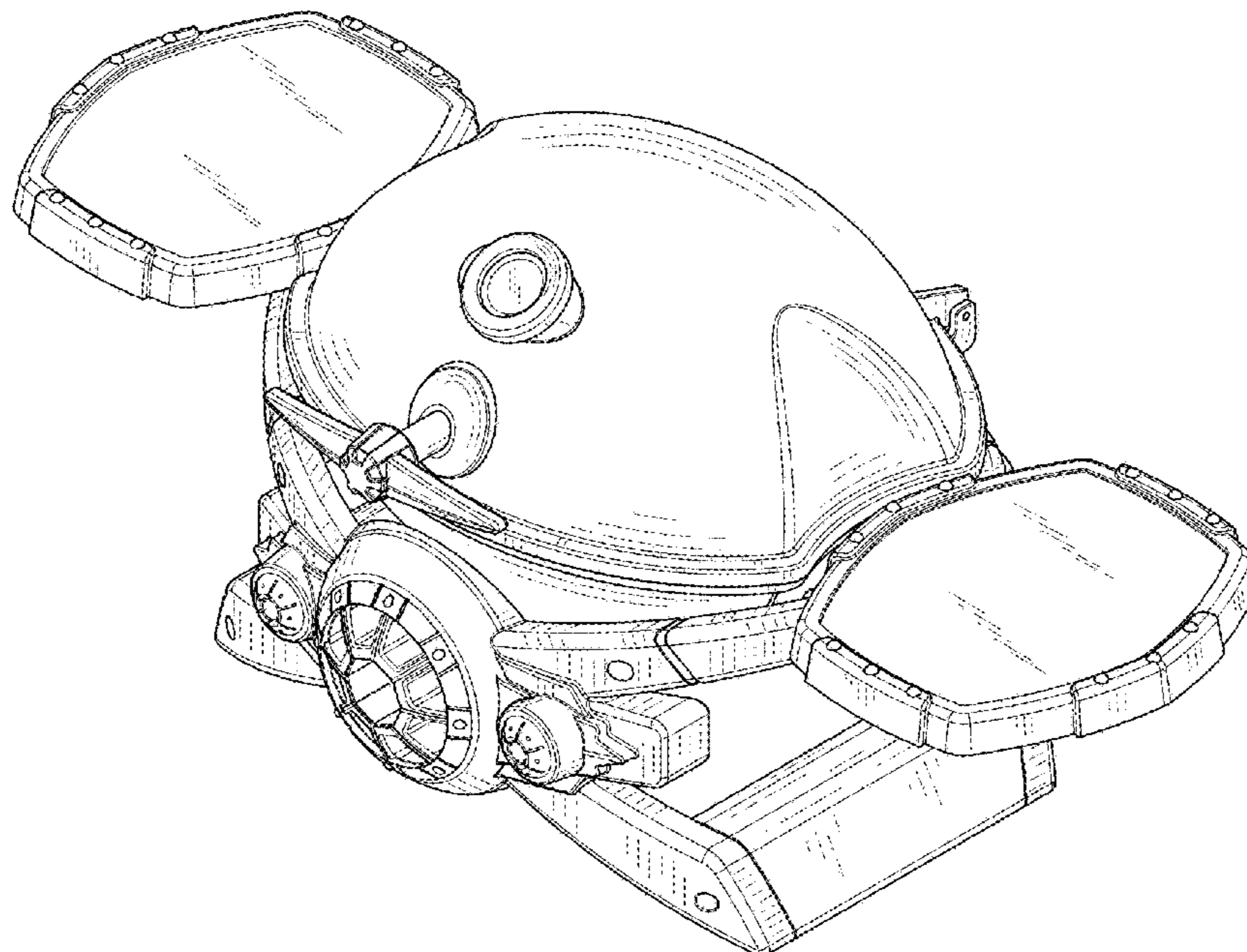
U.S. PATENT DOCUMENTS

5,944,009 A * 8/1999 Scheller A47J 33/00
126/25 R
D677,111 S * 3/2013 Chung D7/337
D687,667 S * 8/2013 Chien D7/334
D688,082 S * 8/2013 Crick D7/334
D688,512 S * 8/2013 Chung D7/334
D717,097 S * 11/2014 Lin D7/334
D726,490 S * 4/2015 Spencer D7/332
D737,092 S * 8/2015 Lin D7/334
D742,681 S * 11/2015 Pai D7/337
D743,200 S * 11/2015 Pai D7/337

DESCRIPTION

FIG. 1 is an upper perspective view of a barbecue grill showing my new design.
FIG. 2 is a front elevation view thereof;
FIG. 3 is a rear elevation view thereof;
FIG. 4 is a side elevation view thereof;
FIG. 5 is an opposite side elevation view thereof;
FIG. 6 is a top plan view thereof;
FIG. 7 is a bottom plan view thereof; and,
FIG. 8 is a lower perspective view thereof.

1 Claim, 8 Drawing Sheets



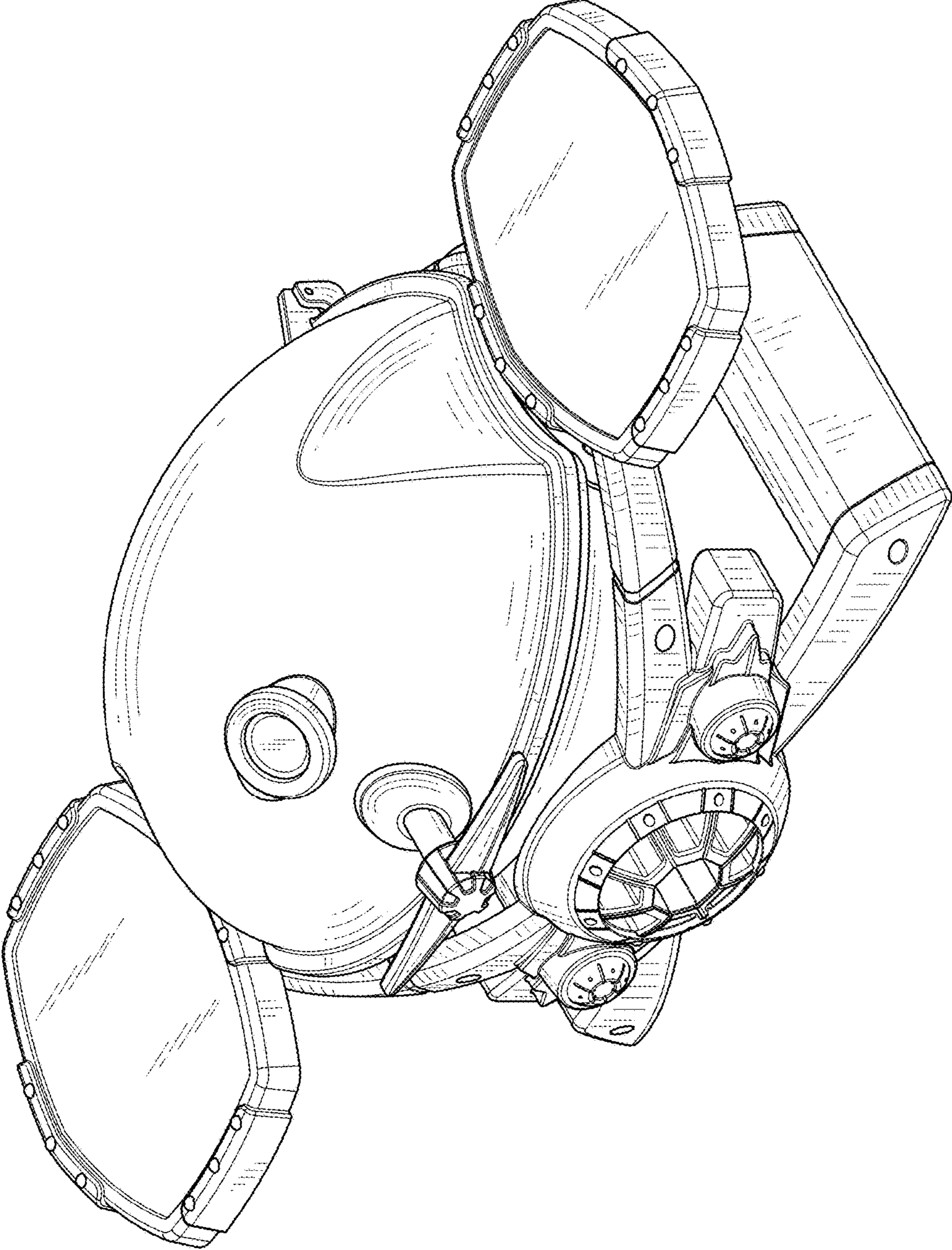


FIG. 1

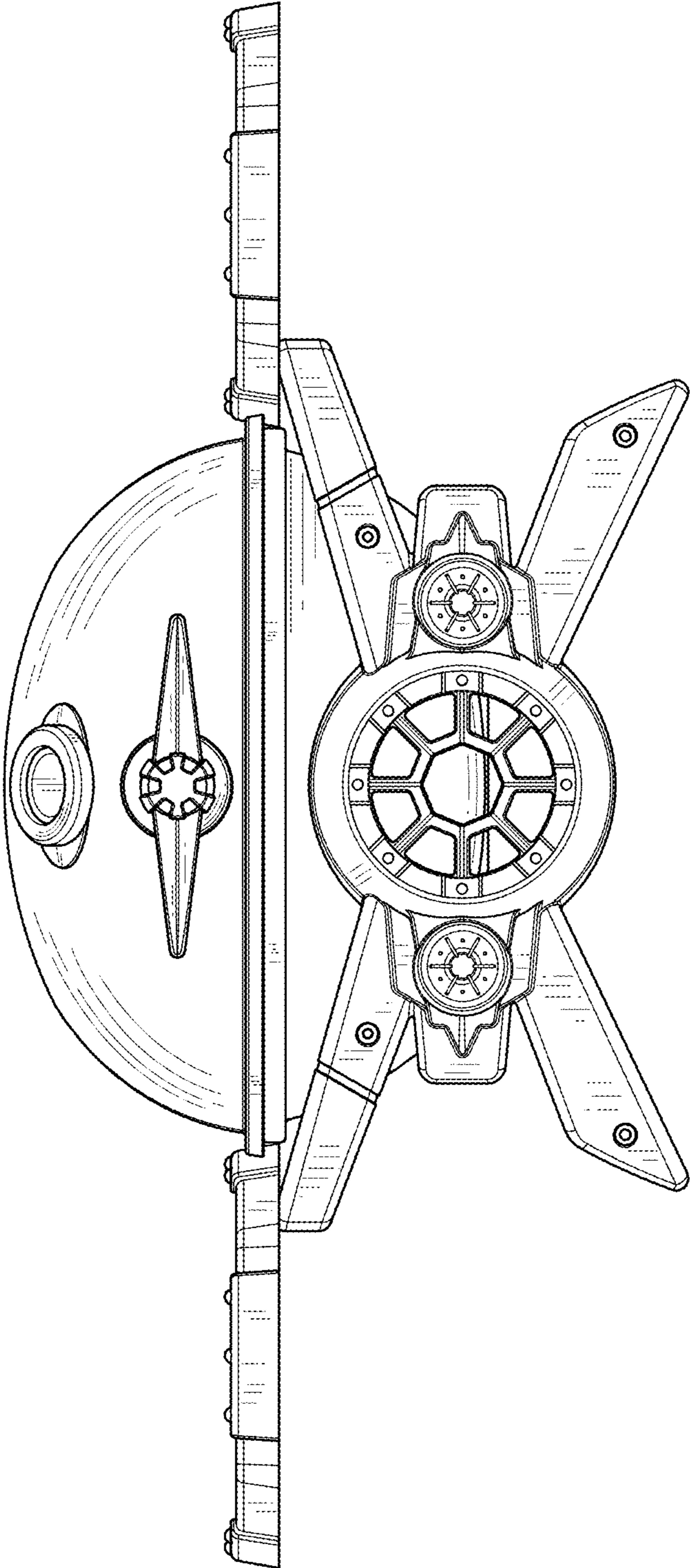


FIG. 2

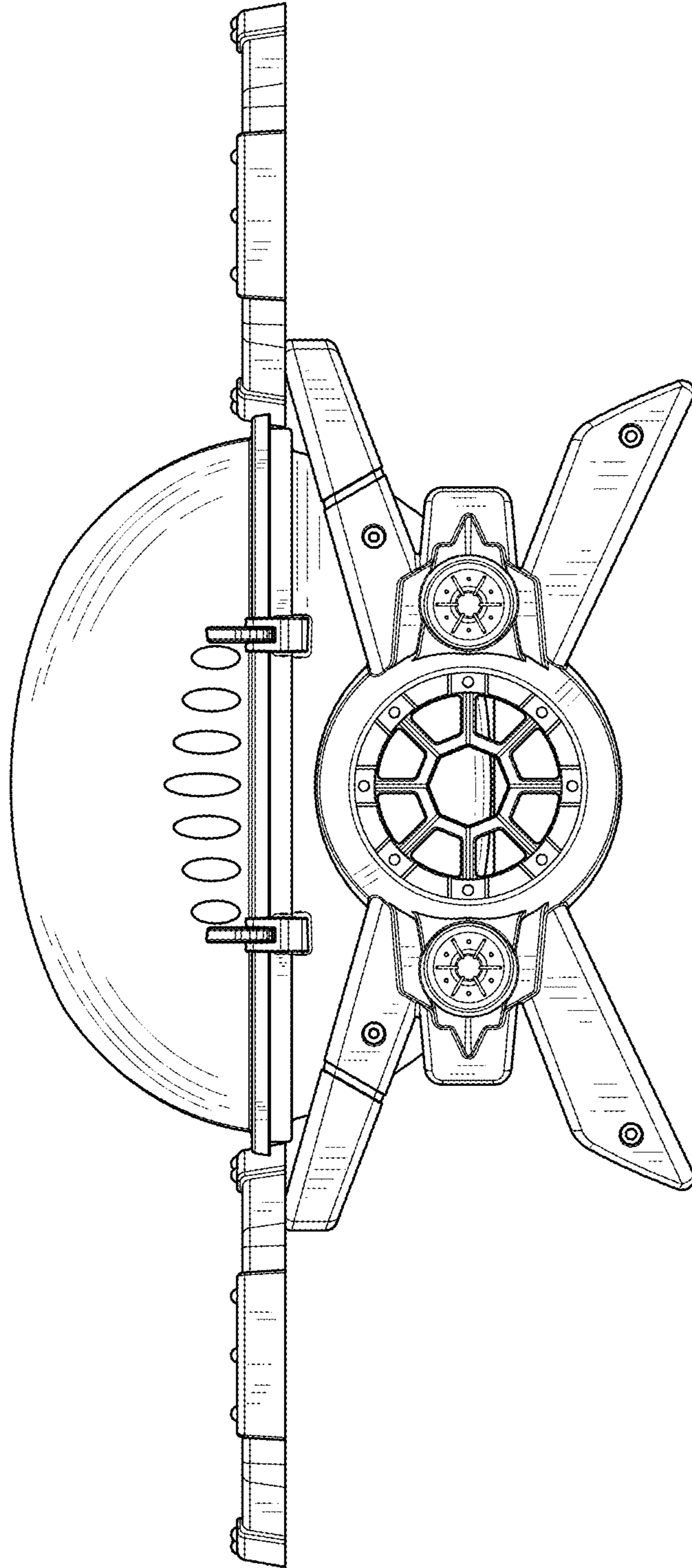


FIG. 3

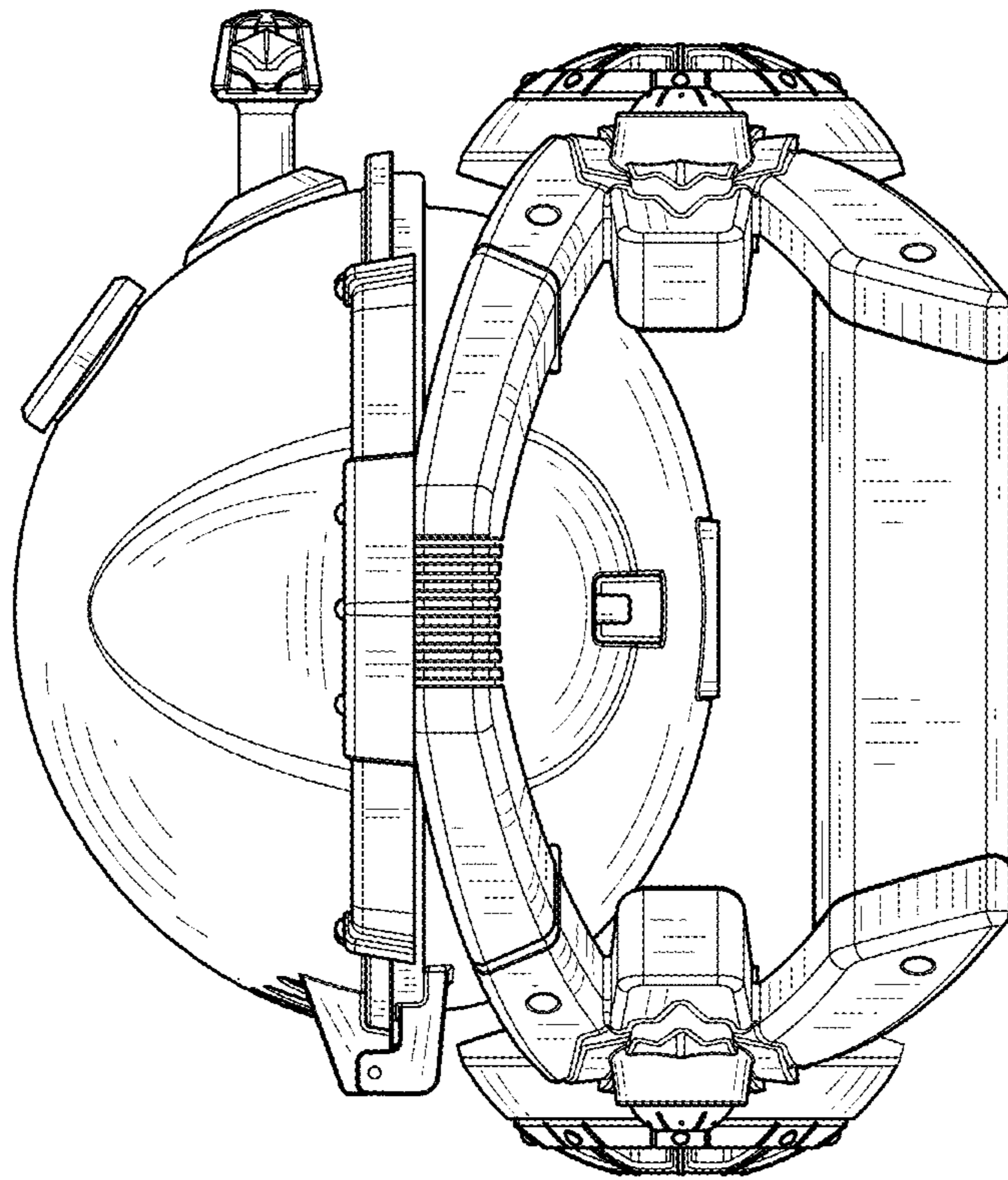


FIG. 4

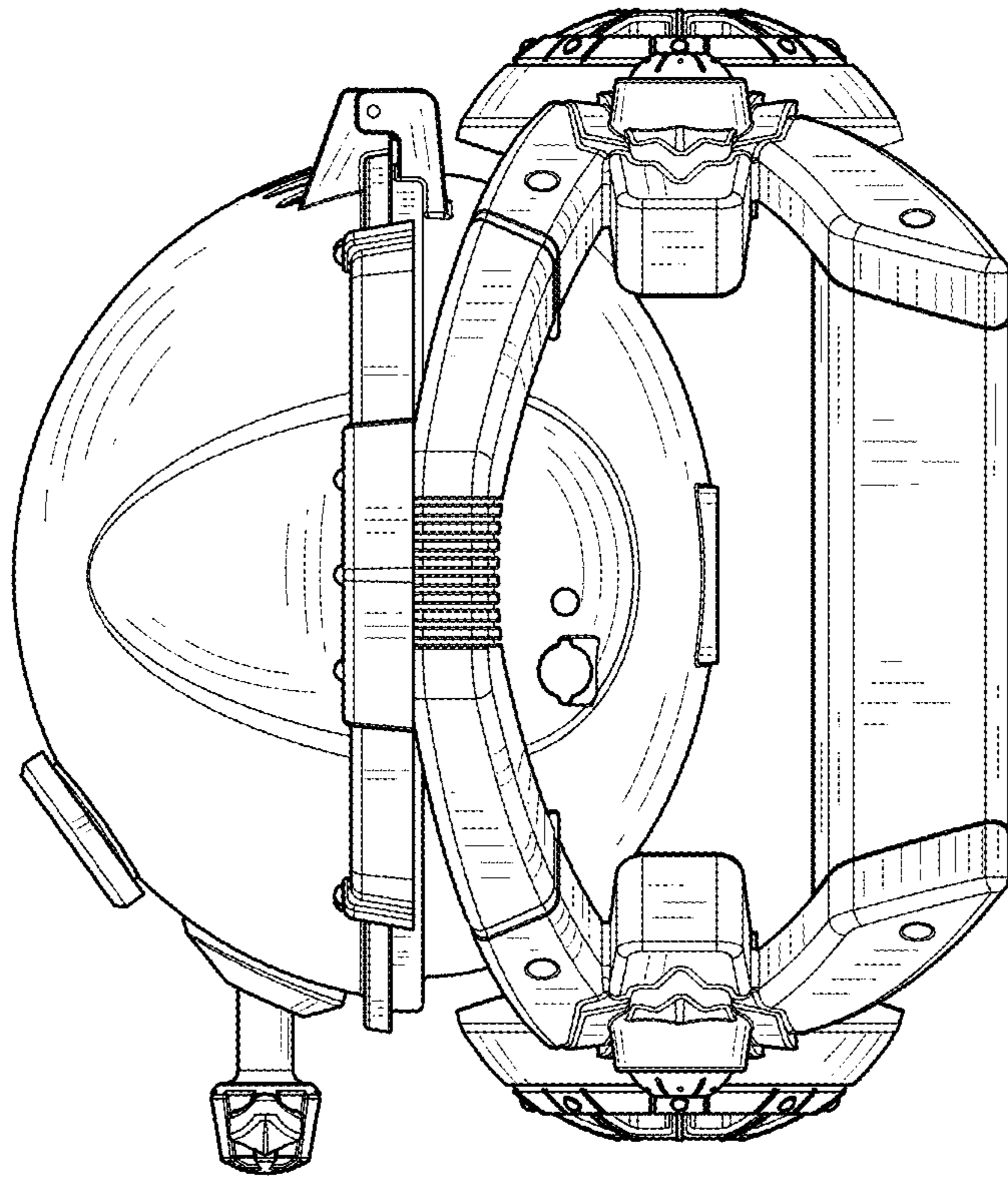


FIG. 5

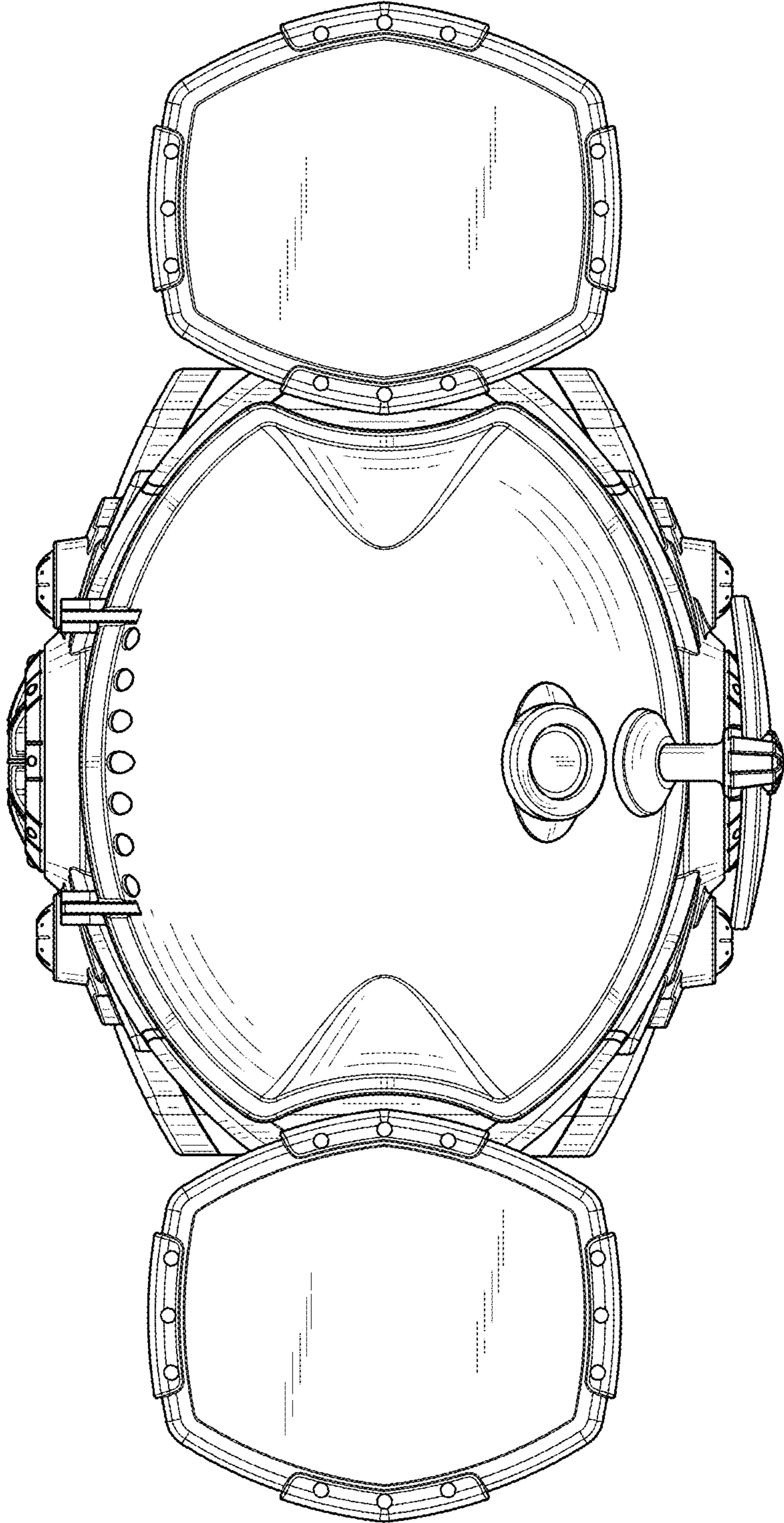


FIG. 6

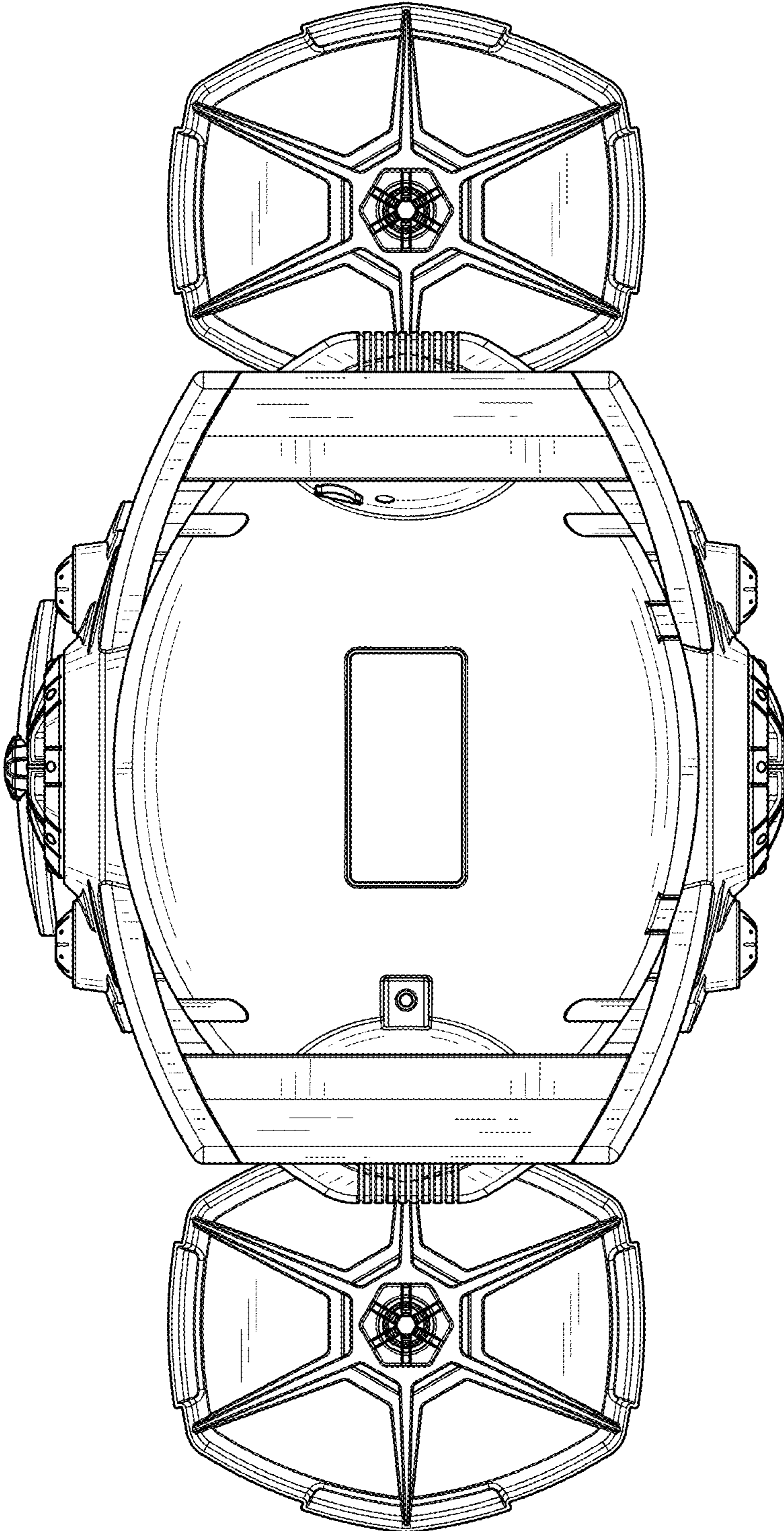


FIG. 7

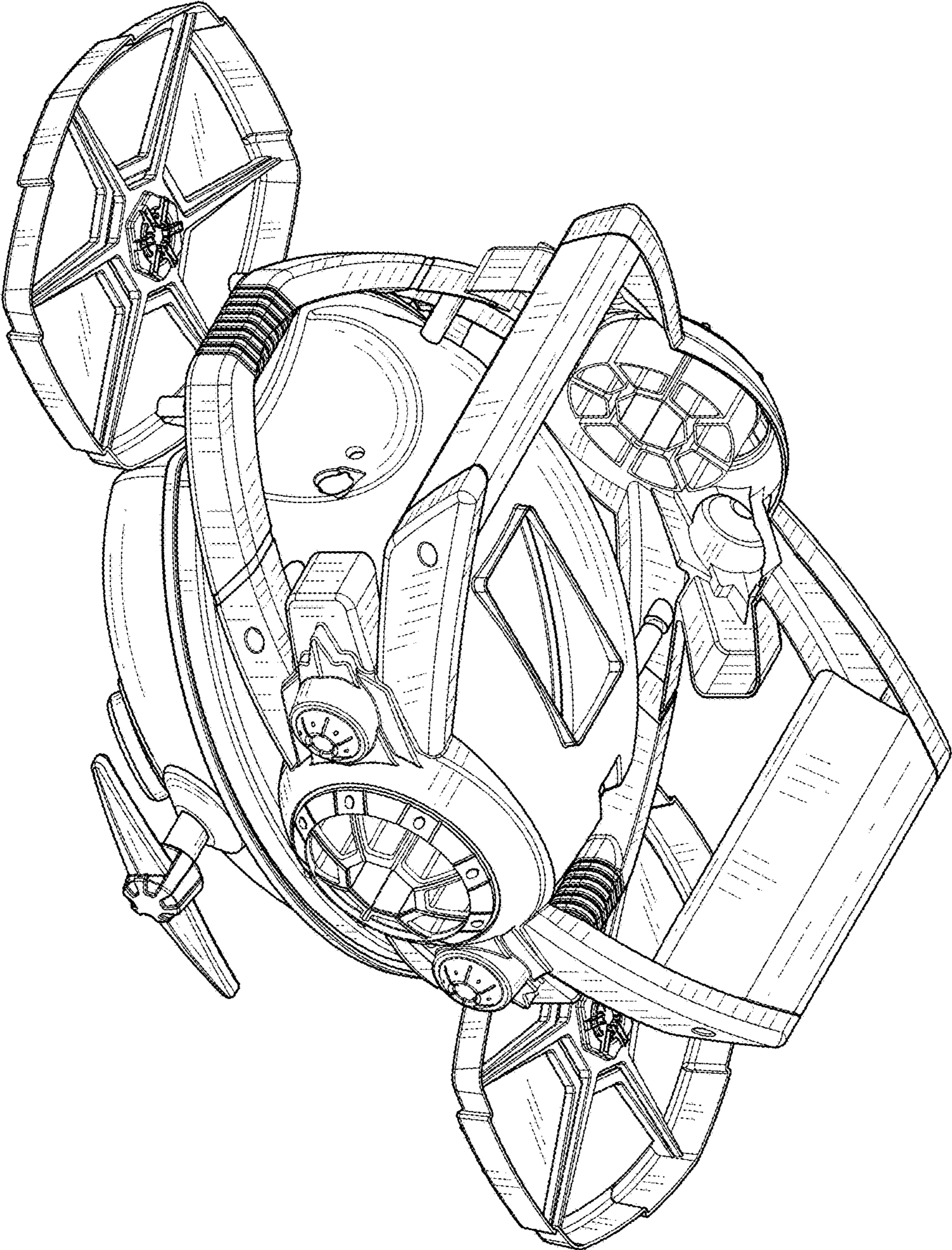


FIG. 8