



US00D790900S

(12) **United States Design Patent** (10) **Patent No.:** **US D790,900 S**
Karussi et al. (45) **Date of Patent:** **** Jul. 4, 2017**

(54) **PITCHER WITH CARRYING HANDLE**

(74) *Attorney, Agent, or Firm* — Caesar Rivise, PC

(71) Applicant: **Tervis Tumbler Company**, North Venice, FL (US)

(57) **CLAIM**

The ornamental design for the pitcher with carrying handle, as shown and described.

(72) Inventors: **Kurt Karussi**, Osprey, FL (US); **Aaron Abroff**, Acton, MA (US); **Joongoo Lee**, Quincy, MA (US)

DESCRIPTION

(73) Assignee: **Tervis Tumbler Company**, North Venice, FL (US)

FIG. 1 is an isometric view of a pitcher with carrying handle in accordance with our new design, with the carrying handle being pivotable and shown in a pivotably extended or upright position for carrying the pitcher;

(**) Term: **15 Years**

FIG. 2 is a front elevation view of the pitcher with carrying handle shown in FIG. 1;

(21) Appl. No.: **29/550,942**

FIG. 3 is a rear elevation view of the pitcher with carrying handle shown in FIG. 1;

(22) Filed: **Jan. 8, 2016**

FIG. 4 is a left side elevation view of the pitcher with carrying handle shown in FIG. 1;

(51) **LOC (10) Cl.** **07-01**

FIG. 5 is a right side elevation view of the pitcher with carrying handle shown in FIG. 1;

(52) **U.S. Cl.**

USPC **D7/319**; D7/317; D7/320

FIG. 6 is a top plan view of the pitcher with carrying handle shown in FIG. 1;

(58) **Field of Classification Search**

USPC D7/316, 317, 318, 319, 303, 302, 312, D7/322, 321, 600; D10/46.2; D9/524, D9/526, 527; 222/573; D23/212, 211.2

FIG. 7 is a bottom plan view of the pitcher with carrying handle shown in FIG. 1;

CPC B65D 23/06; B65D 47/06; B67D 1/16; A47G 19/00

FIG. 8 is another isometric view of the pitcher with carrying handle in accordance with our new design, shown with the carrying handle in its pivotably retracted or down position;

See application file for complete search history.

FIG. 9 is a front elevation view of the pitcher with carrying handle shown in FIG. 8;

(56) **References Cited**

U.S. PATENT DOCUMENTS

| | | | | |
|--------------|---------|------------|-------|--------|
| D91,376 S * | 1/1934 | Von Nesson | | D7/319 |
| D109,979 S * | 6/1938 | Guild | | D7/319 |
| D111,231 S * | 9/1938 | Titze | | D7/319 |
| D111,339 S * | 9/1938 | Titze | | D7/317 |
| D192,934 S * | 5/1962 | Bloch | | D7/318 |
| D196,866 S * | 11/1963 | Lews | | D7/317 |
| D215,169 S * | 9/1969 | Stevenson | | D7/317 |

(Continued)

FIG. 10 is a rear elevation view of the pitcher with carrying handle shown in FIG. 8;

FIG. 11 is a left side elevation view of the pitcher with carrying handle shown in FIG. 8;

FIG. 12 is a right side elevation view of the pitcher with carrying handle shown in FIG. 8;

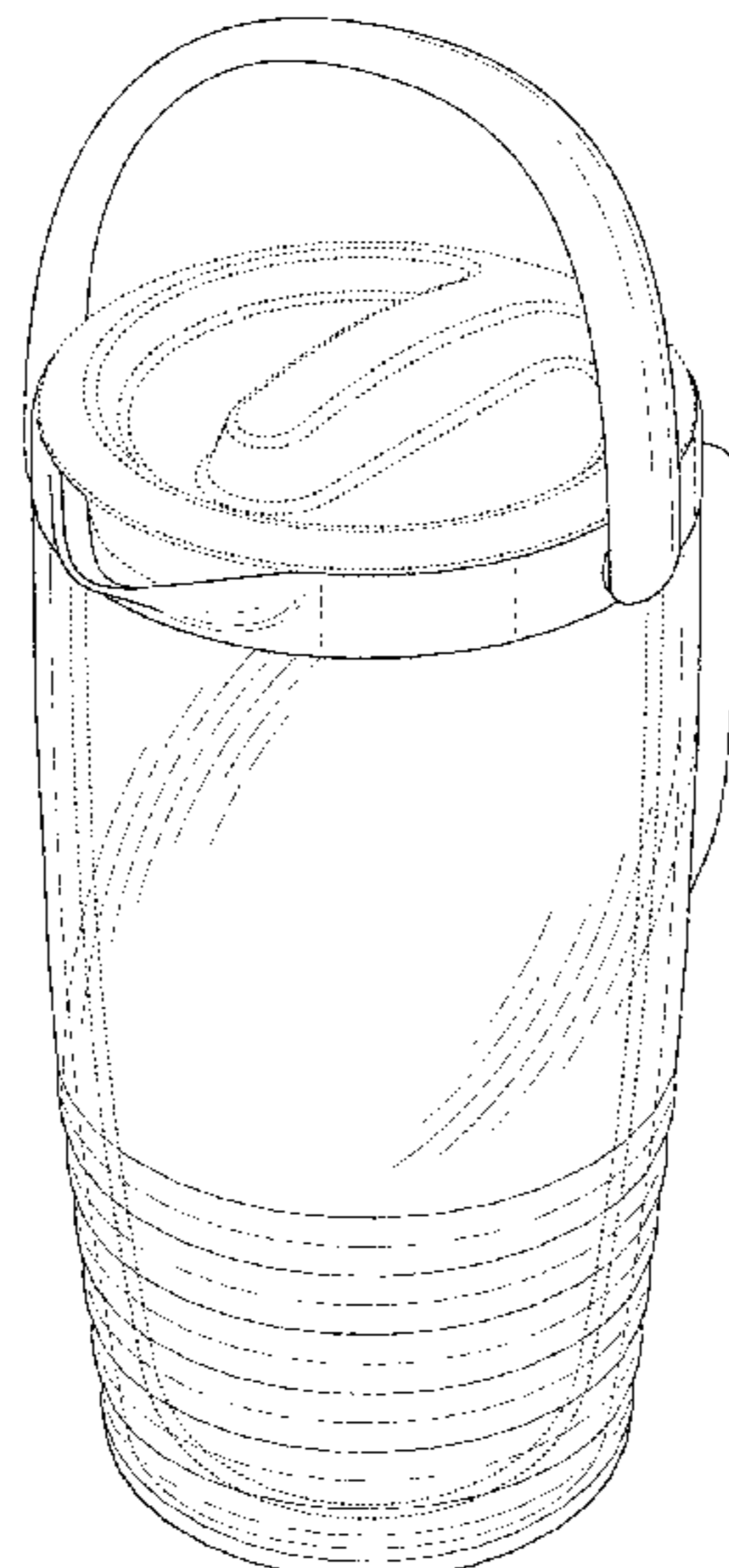
FIG. 13 is a top plan view of the pitcher with carrying handle shown in FIG. 8; and,

FIG. 14 is a bottom plan view of the pitcher with carrying handle shown in FIG. 8.

The broken lines in the various figures are directed to unclaimed portions of the pitcher with carrying handle and form no part of the claimed design.

Primary Examiner — Marianne Pandozzi

1 Claim, 14 Drawing Sheets



(56)

References Cited

U.S. PATENT DOCUMENTS

| | | | | | | |
|--------------|----|---|---------|----------------|-------|-------------------------|
| D225,436 | S | * | 12/1972 | Collins | | D7/321 |
| 3,861,565 | A | * | 1/1975 | Rickmeier, Jr. | | A47G 19/12 215/12.1 |
| D285,768 | S | * | 9/1986 | Zimmermann | | D7/317 |
| D304,799 | S | * | 11/1989 | Freese | | D7/319 |
| D308,926 | S | * | 7/1990 | Zivin | | D7/319 |
| D309,077 | S | * | 7/1990 | Pomroy | | D7/318 |
| D321,623 | S | * | 11/1991 | Sun | | D7/317 |
| 5,158,216 | A | * | 10/1992 | Viani | | A47G 19/12 222/465.1 |
| D338,367 | S | * | 8/1993 | Fonville | | D7/316 |
| D338,591 | S | * | 8/1993 | Wyatt | | D7/316 |
| D377,291 | S | * | 1/1997 | Ahern, Jr. | | D7/318 |
| D403,552 | S | * | 1/1999 | Moran, Jr. | | D7/317 |
| 6,210,032 | B1 | | 4/2001 | Murphy | | |
| D466,357 | S | * | 12/2002 | Bornancini | | D7/312 |
| D552,917 | S | * | 10/2007 | Hurlbut | | D7/306 |
| D555,970 | S | * | 11/2007 | Schreitmueller | | D7/312 |
| D613,020 | S | * | 3/2010 | Yang | | D34/1 |
| D677,104 | S | * | 3/2013 | De'Longhi | | D7/318 |
| D682,002 | S | * | 5/2013 | Munson | | D7/318 |
| D715,586 | S | * | 10/2014 | Katterheinrich | | D7/317 |
| 2007/0012707 | A1 | | 1/2007 | Rattay | | |
| 2009/0294318 | A1 | | 12/2009 | Monahan | | |

* cited by examiner

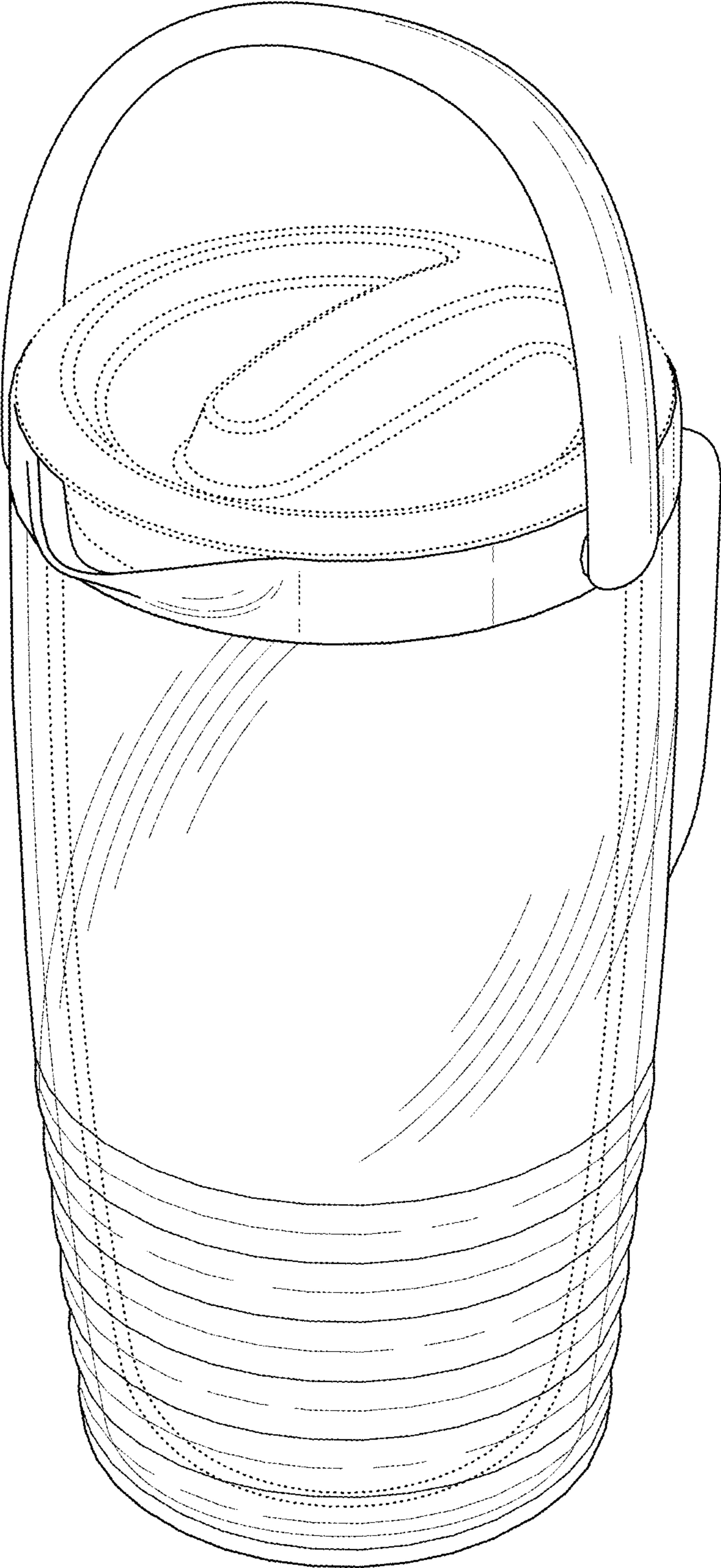


FIG. 1

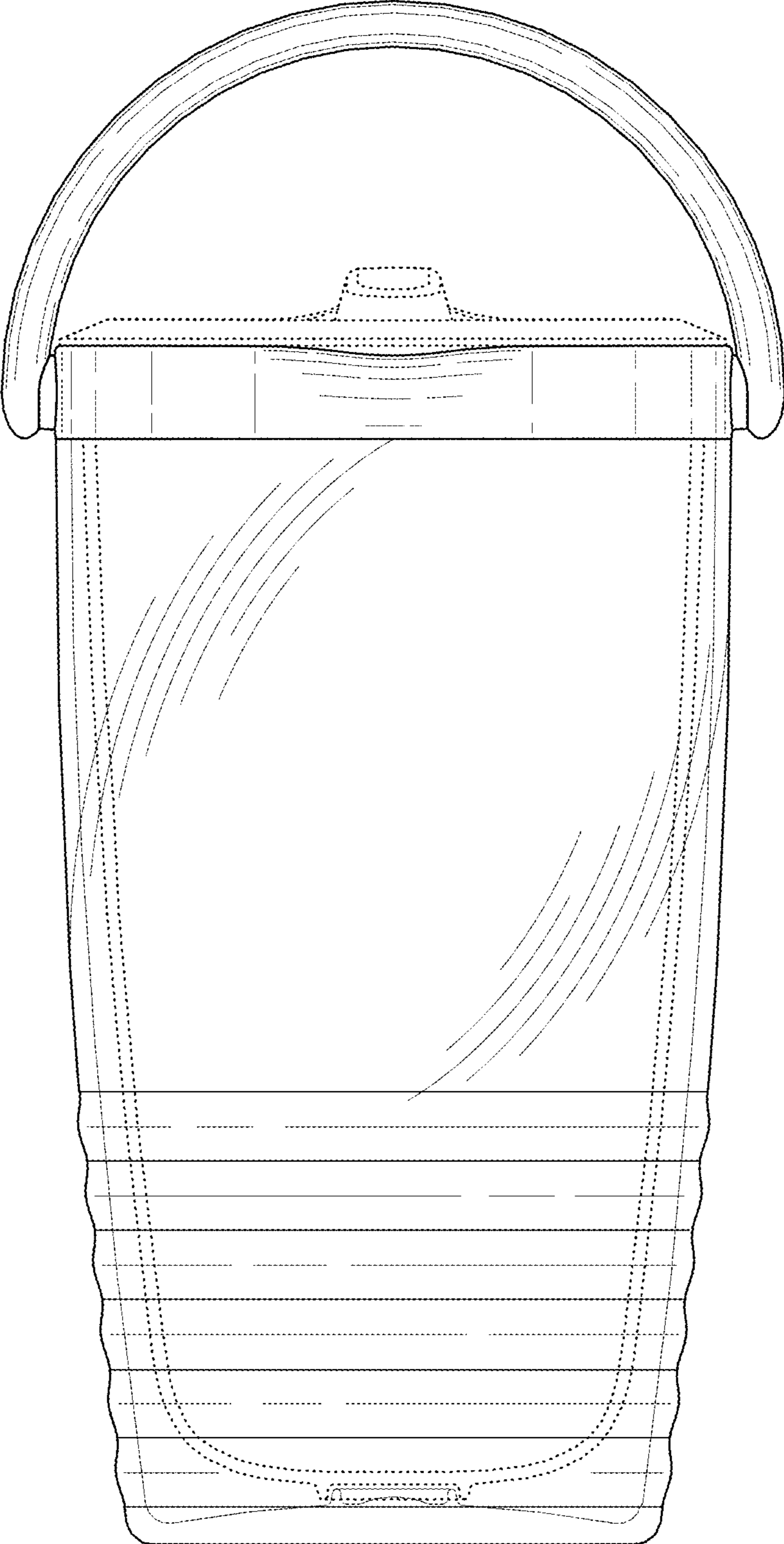


FIG. 2

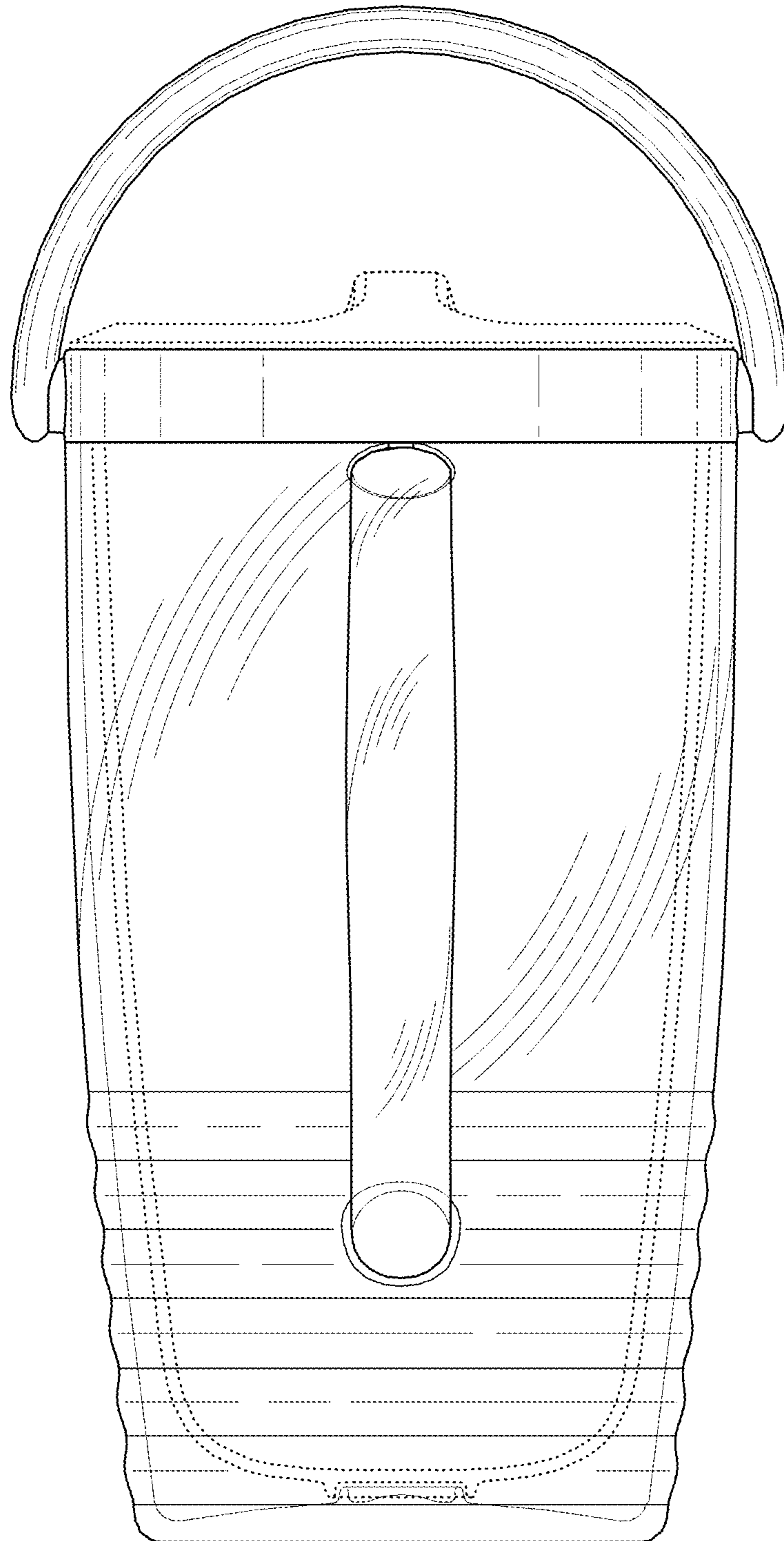


FIG. 3

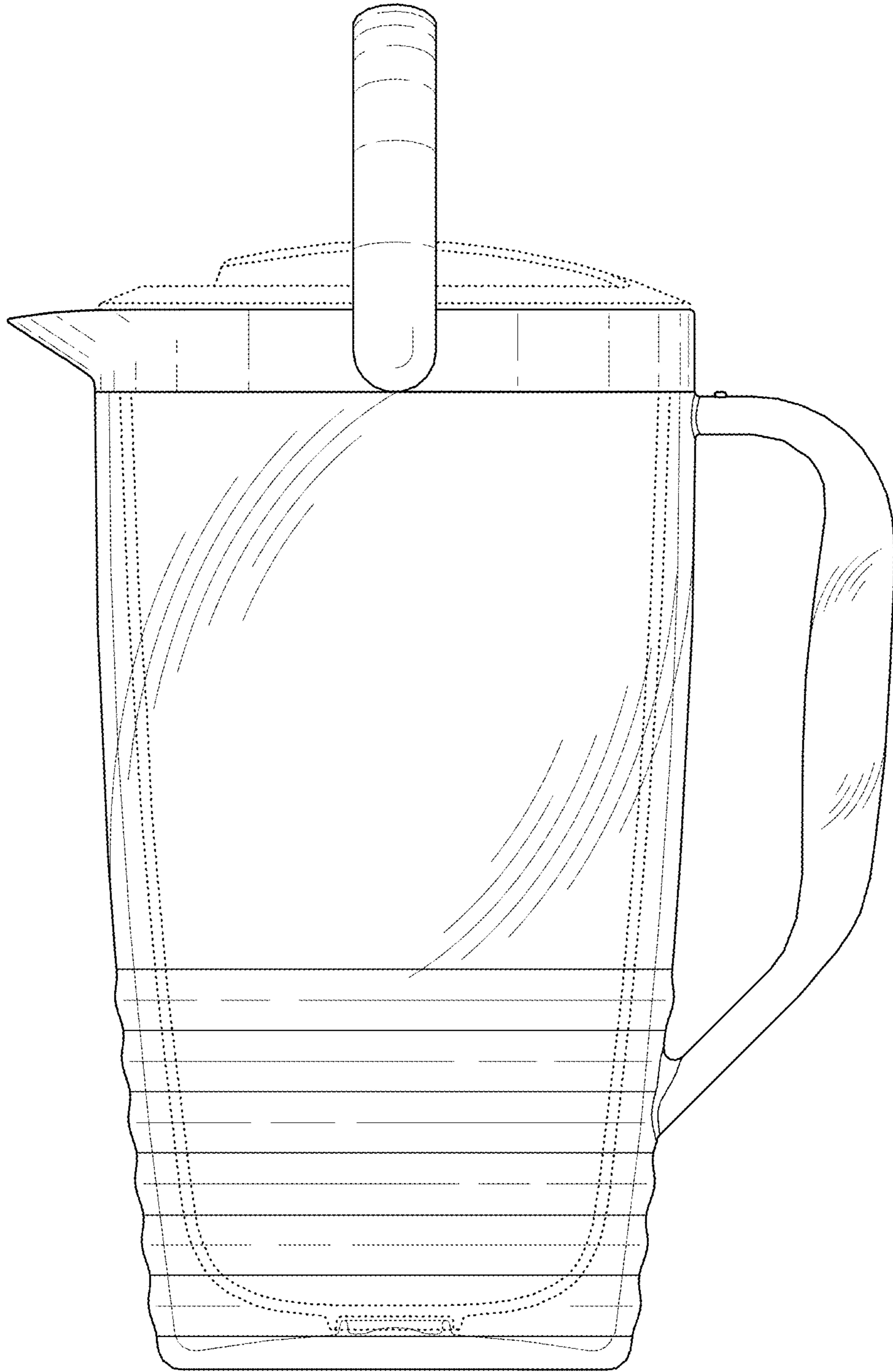


FIG. 4

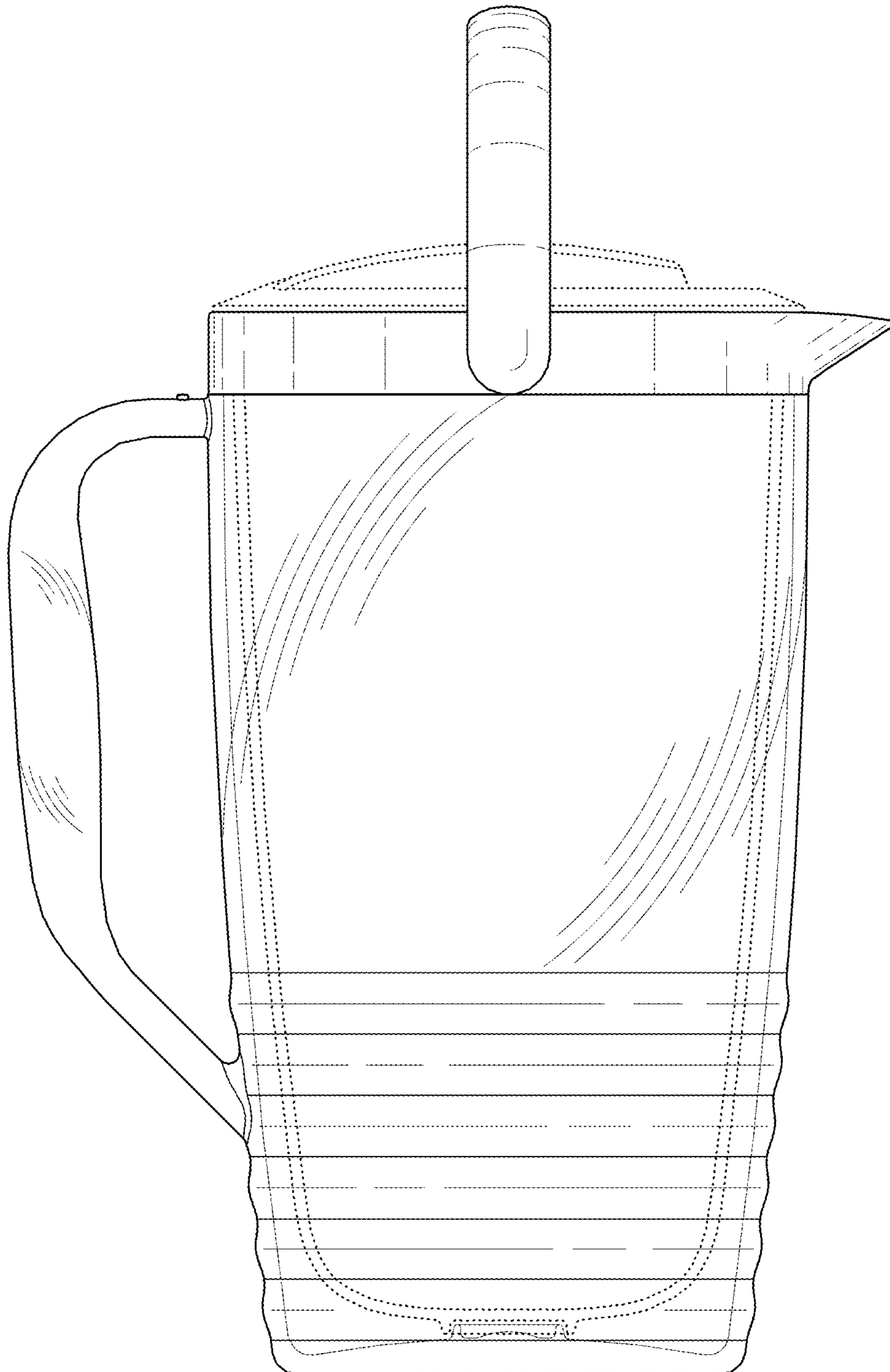


FIG. 5

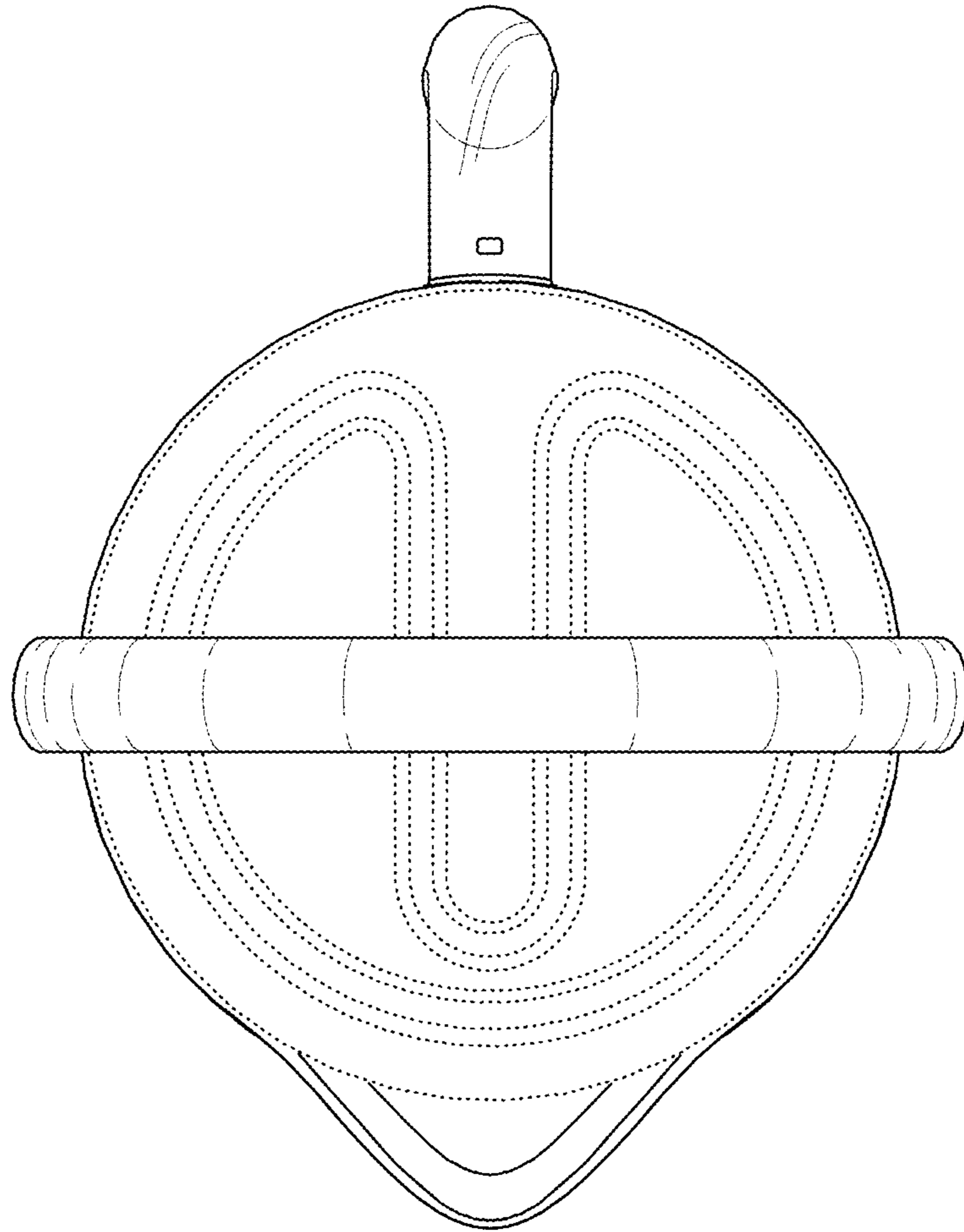


FIG. 6

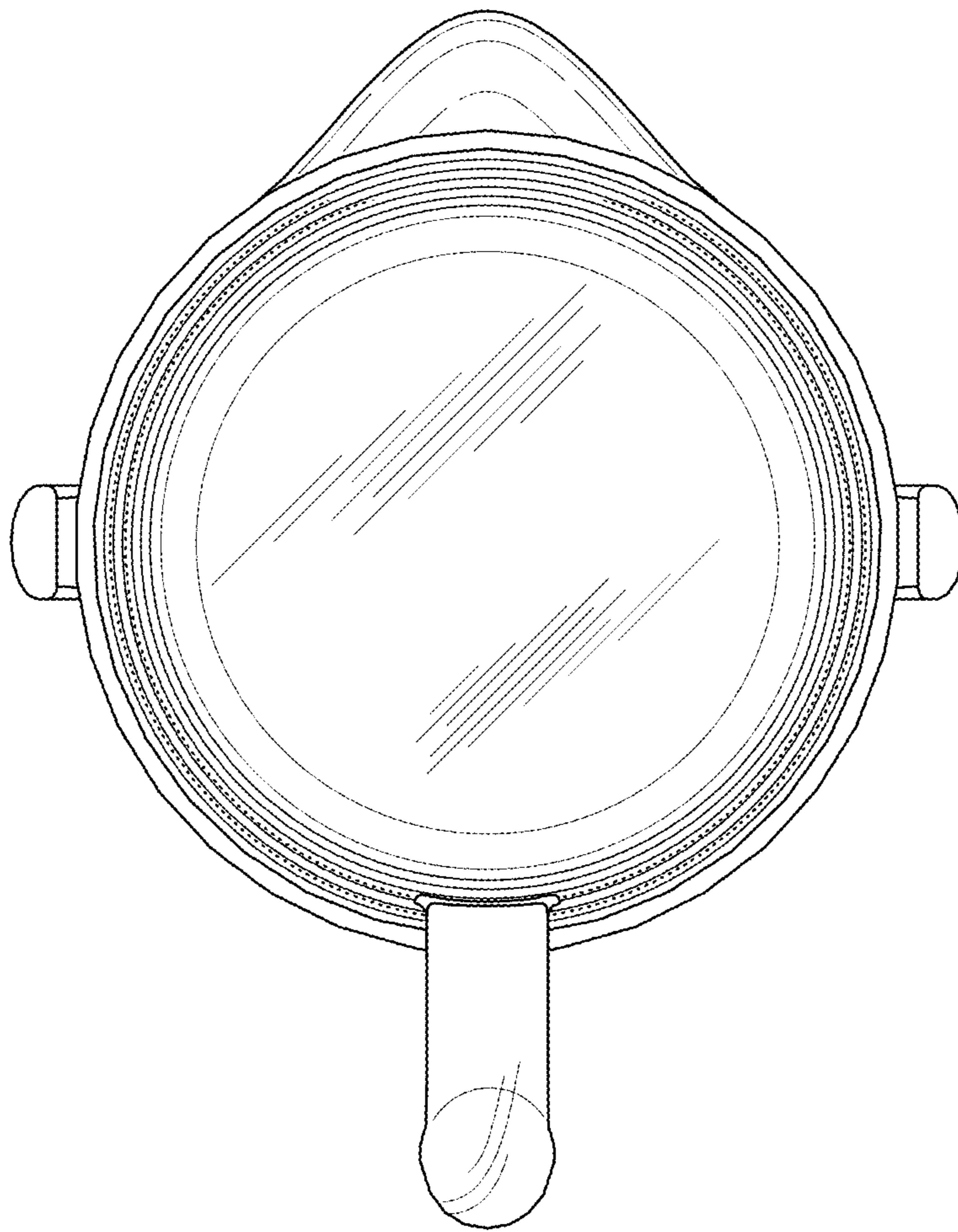


FIG. 7

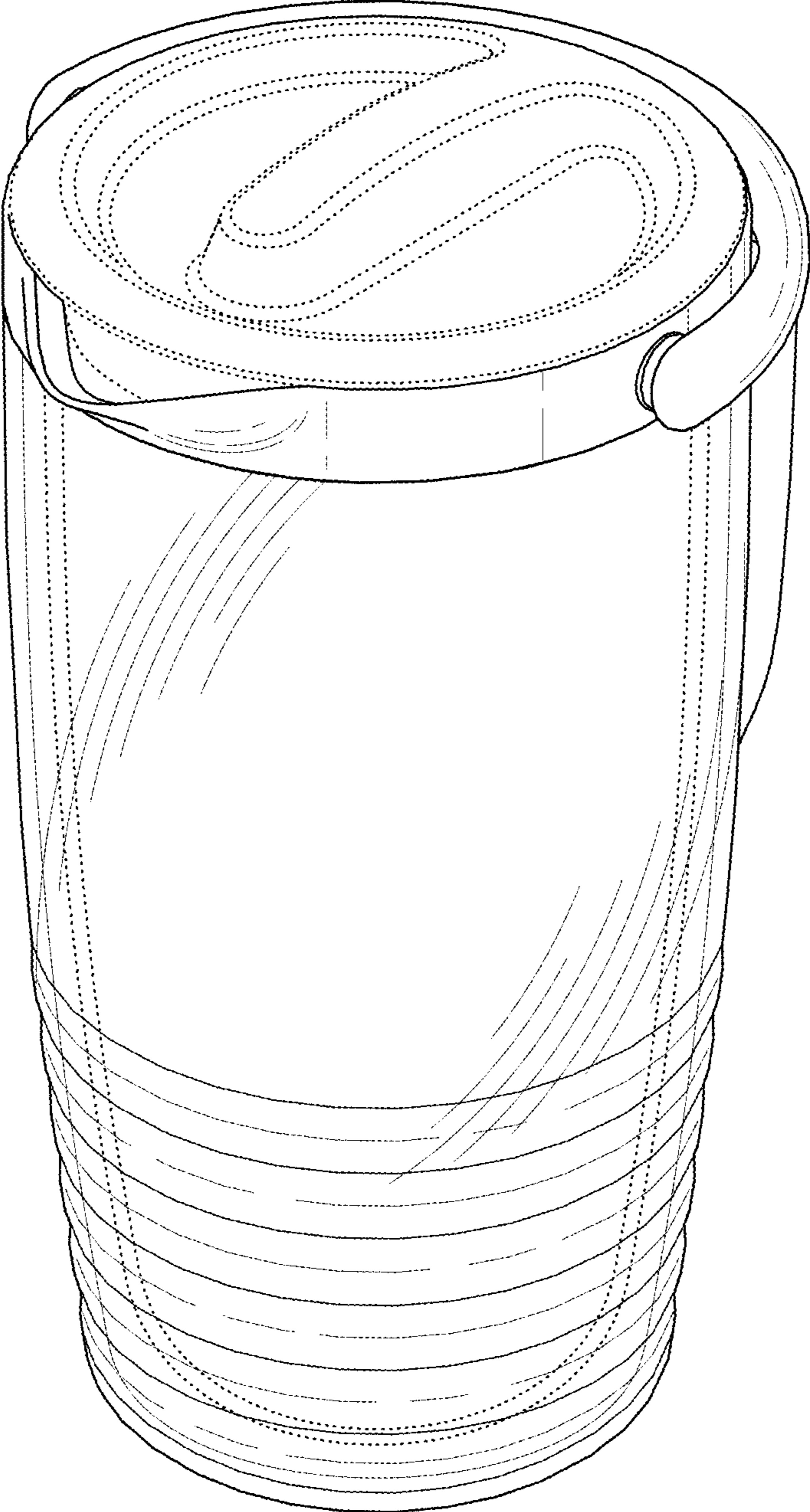


FIG. 8

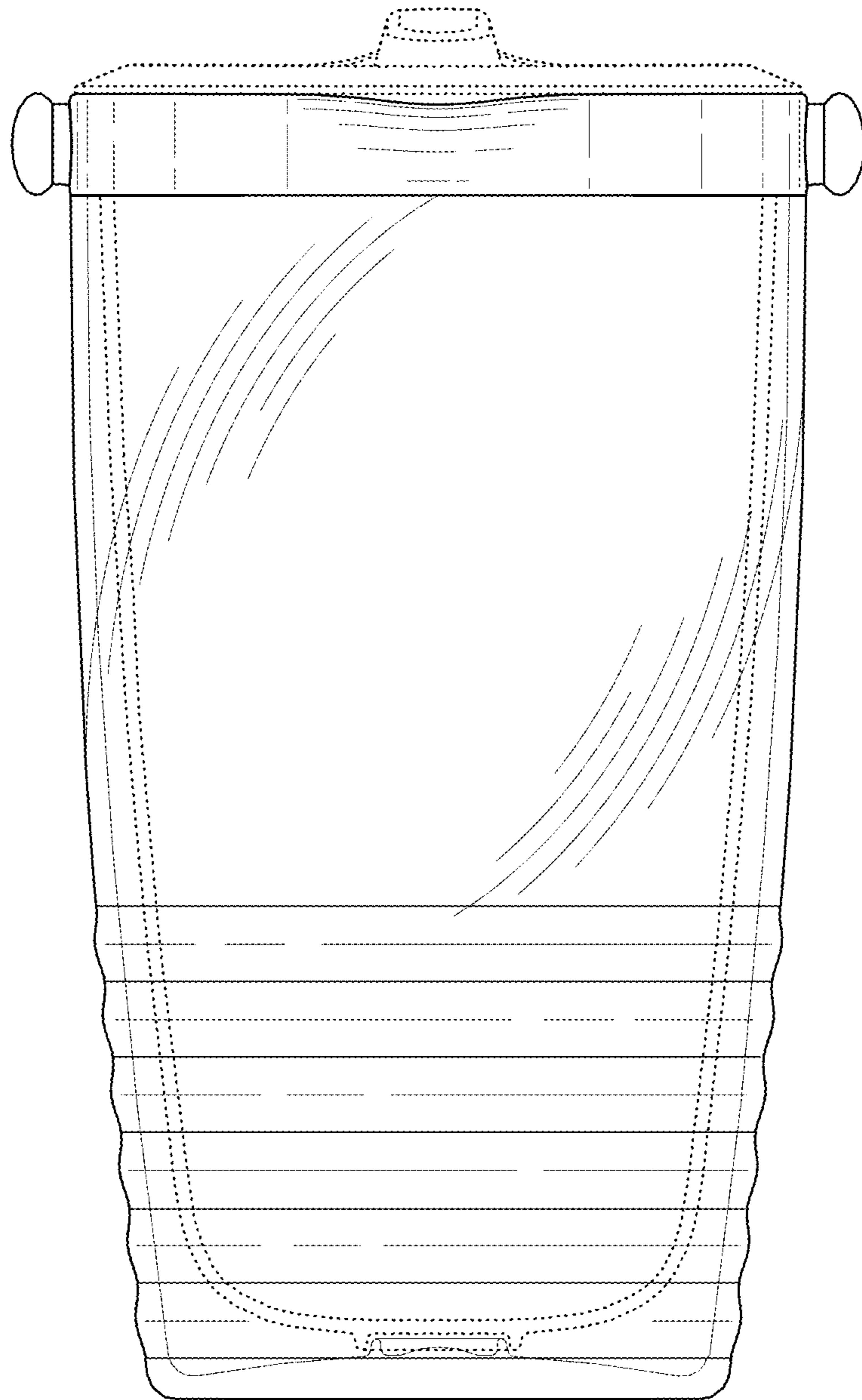


FIG. 9

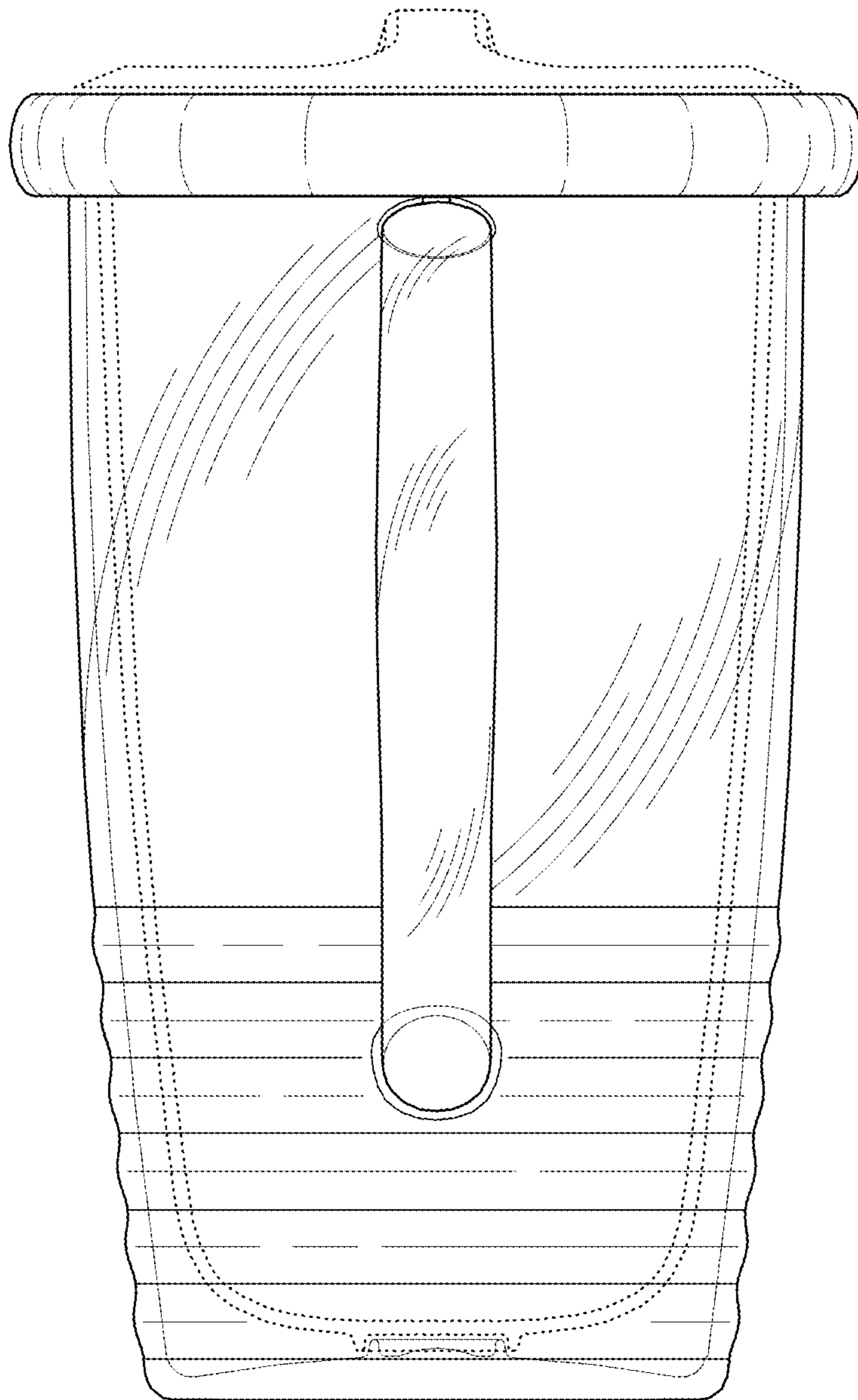


FIG. 10

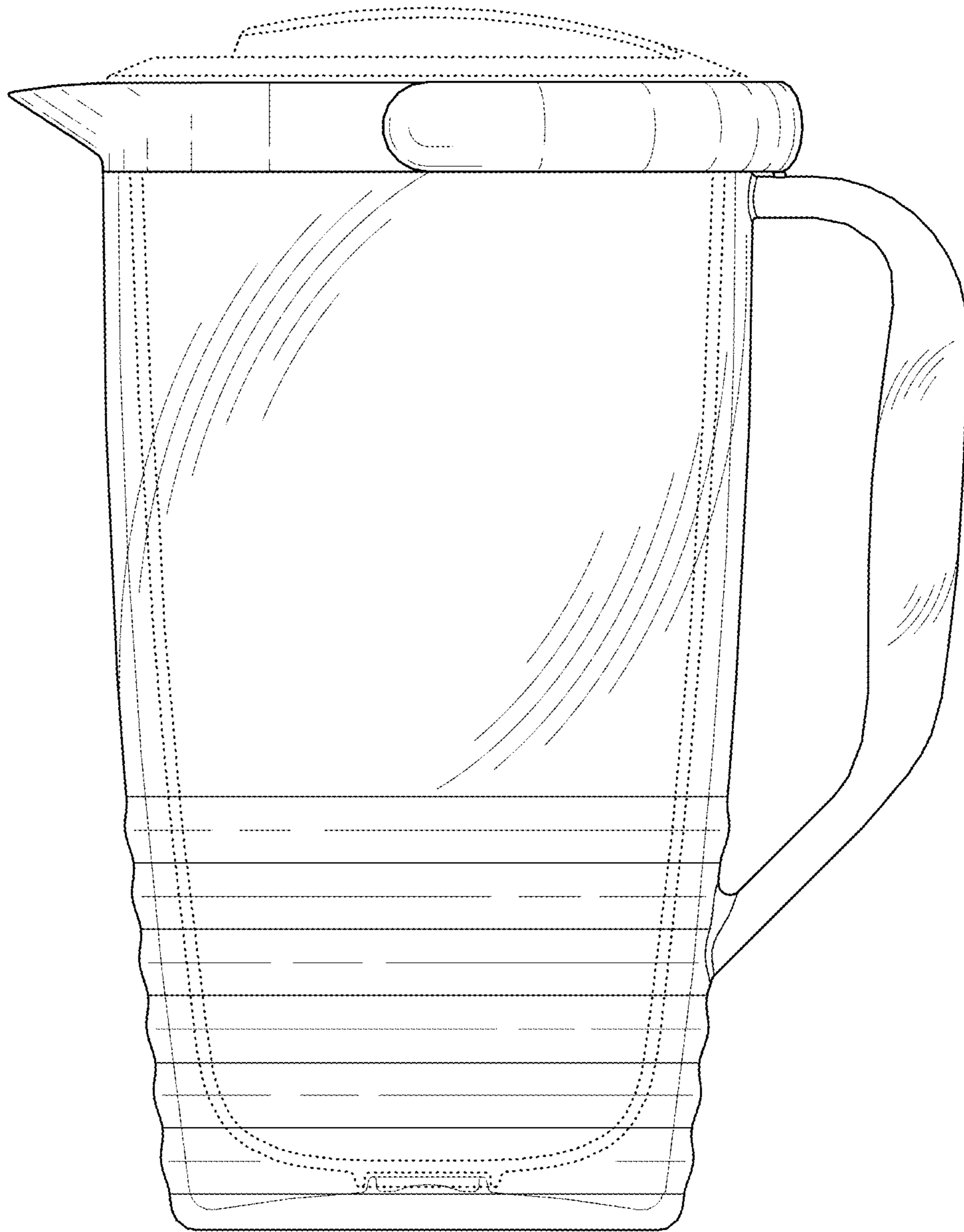


FIG. 11

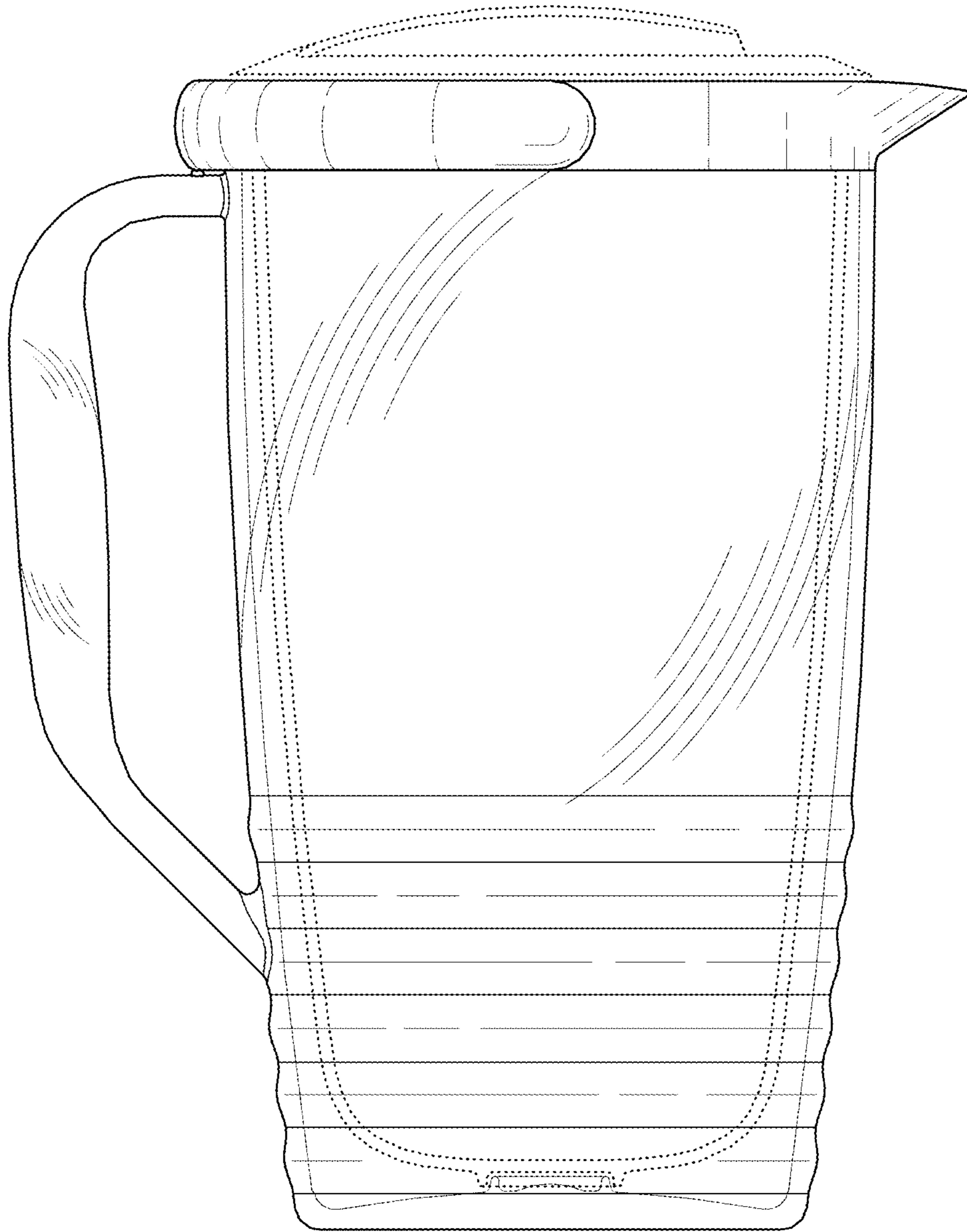


FIG. 12

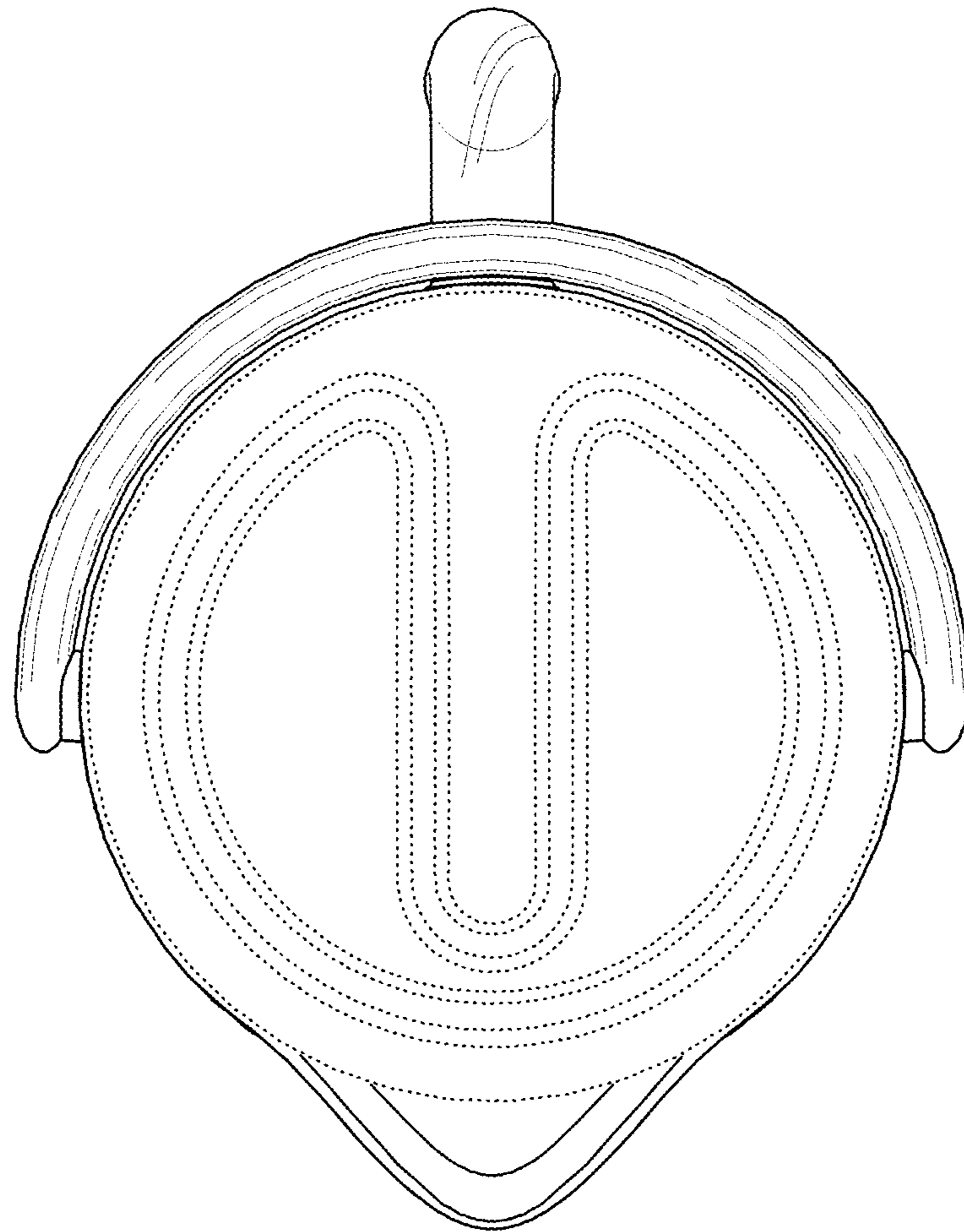


FIG. 13

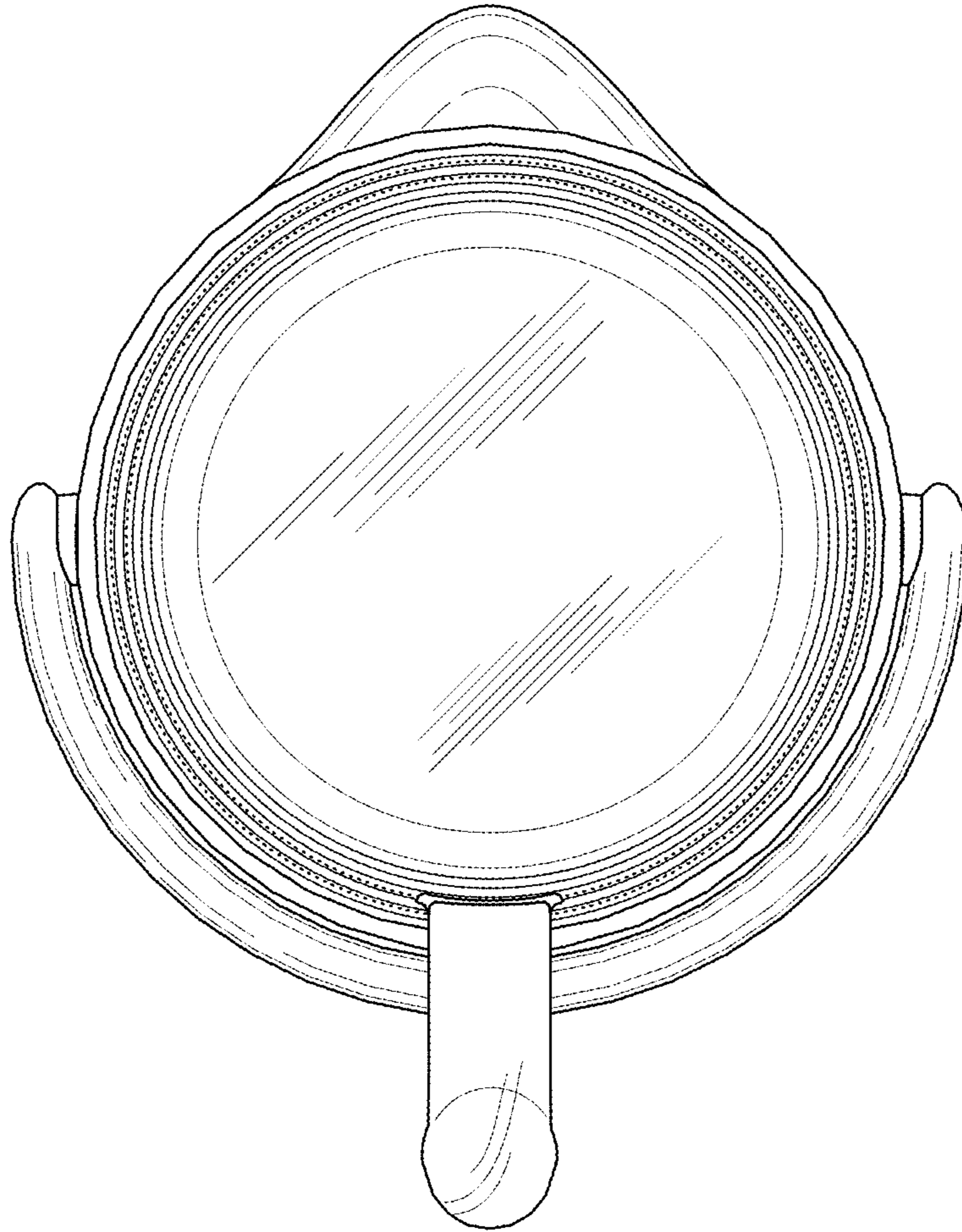


FIG. 14