

US00D790898S

(12) **United States Design Patent** (10) **Patent No.:** **US D790,898 S**
Taubman et al. (45) **Date of Patent:** **** Jul. 4, 2017**

(54) **DOORLESS FLOW DEVICE**
(71) Applicant: **FLOW WATER INC.**, Denver, CO (US)
(72) Inventors: **Wyatt Taubman**, San Francisco, CA (US); **Ravi Sawhney**, Thousand Oaks, CA (US); **Noureddine Malaeb**, Los Angeles, CA (US); **Lance Hussey**, Thousand Oaks, CA (US); **Kurt Botsai**, Thousand Oaks, CA (US); **Gregory Vanderpol**, Thousand Oaks, CA (US)

D541,351 S * 4/2007 Tidman D20/8
D554,930 S * 11/2007 Lavy D7/307
D600,060 S * 9/2009 Fletcher D7/306
7,610,849 B2 * 11/2009 Bigge A47J 31/36
62/390
D608,130 S * 1/2010 Moon D7/306
D638,476 S * 5/2011 Hoffman D20/1
D643,240 S * 8/2011 Yui D7/307
D643,668 S * 8/2011 Yui D7/307
D649,391 S * 11/2011 Goralski D7/300
D651,444 S * 1/2012 Lee D7/306
D651,842 S * 1/2012 Spear D7/306
D668,904 S * 10/2012 Walton D7/306
D683,173 S * 5/2013 Liang D7/306
D692,713 S * 11/2013 Diehl D7/306
D696,349 S * 12/2013 d'Amore D20/1
D698,391 S * 1/2014 d'Amore D20/1
D700,794 S * 3/2014 Yui D7/305
D700,795 S * 3/2014 Yui D7/305
D714,580 S * 10/2014 Moon D7/307
D716,093 S * 10/2014 Jakeman D7/306
D718,971 S * 12/2014 Young D7/306

(73) Assignee: **FLO WATER INC.**, Denver, CO (US)

(**) Term: **14 Years**

(21) Appl. No.: **29/524,021**

(22) Filed: **Apr. 15, 2015**

(51) **LOC (10) Cl.** **07-01**

(52) **U.S. Cl.**
USPC **D7/306; D7/305; D7/311**

(58) **Field of Classification Search**
USPC ... D7/300, 300.1, 300.2, 304-318, 326, 386, D7/397-399; 99/281, 305, 307; 141/247; 222/146.6, 136.1; 62/390, 395, 62/398, 389; 221/10, 92, 96, 104, 124, 221/126; D20/1, 4, 5
CPC A47J 31/44; A47J 31/42; G04B 3/10
See application file for complete search history.

(56) **References Cited**

U.S. PATENT DOCUMENTS

D235,816 S * 7/1975 Hill D7/308
D310,612 S * 9/1990 Desrosiers D7/307
D367,797 S * 3/1996 Hauser, II D7/306
D376,949 S * 12/1996 Barriault D7/306
D436,789 S * 1/2001 Dickson, Jr. D7/306
D482,231 S * 11/2003 Dickson, Jr. D7/306

Primary Examiner — Marianne Pandozzi
Assistant Examiner — Jae Liang
(74) *Attorney, Agent, or Firm* — Innovation Counsel LLP

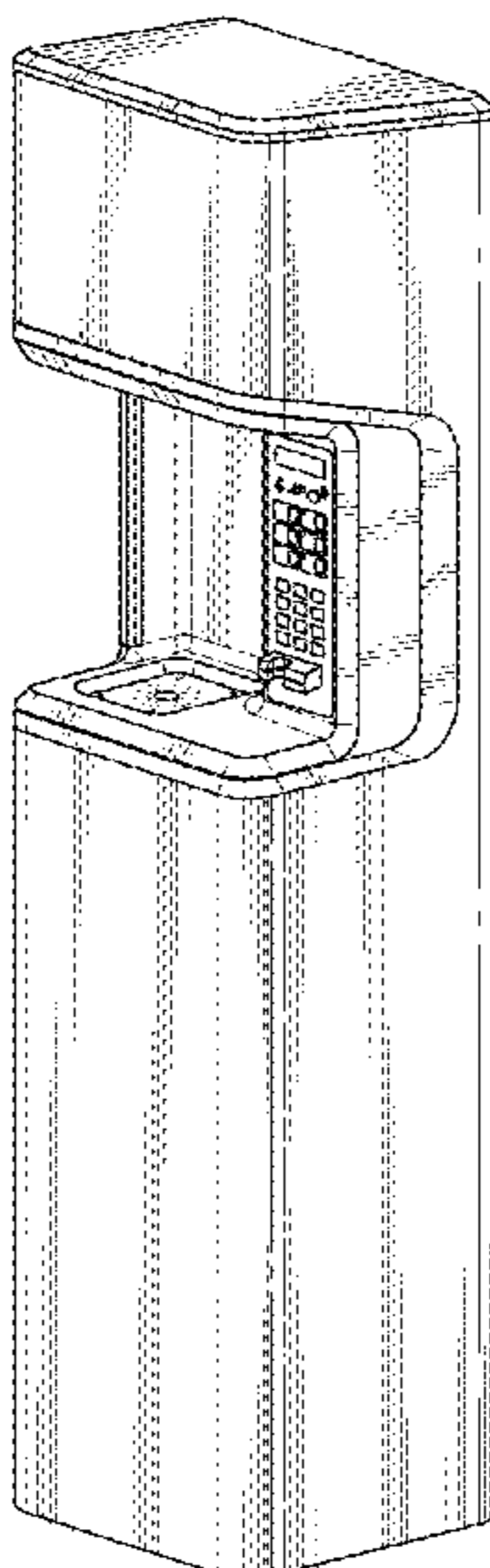
(57) **CLAIM**

The ornamental design for a doorless flow device, as shown and described.

DESCRIPTION

FIG. 1 is a top left perspective view of a doorless flow device showing our new design;
FIG. 2 is a bottom left perspective view thereof;
FIG. 3 is a front view thereof;
FIG. 4 is a rear view thereof;
FIG. 5 is a right side view thereof;
FIG. 6 is a left side view thereof;
FIG. 7 is a top view thereof; and,
FIG. 8 is a bottom view thereof.

1 Claim, 4 Drawing Sheets



(56)

References Cited

U.S. PATENT DOCUMENTS

D736,024 S	*	8/2015	Taubman	D7/305
D736,552 S	*	8/2015	Shen	D7/306
D742,170 S	*	11/2015	Kunz	D7/309
D747,414 S	*	1/2016	Chen	D20/1

* cited by examiner

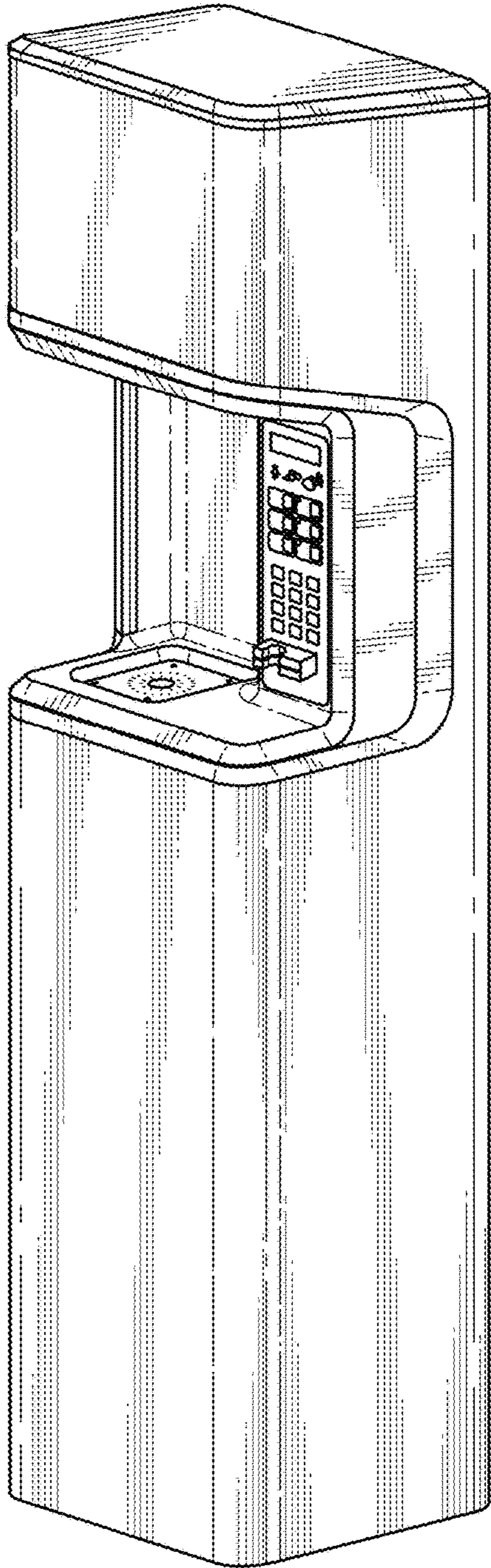


FIG. 1

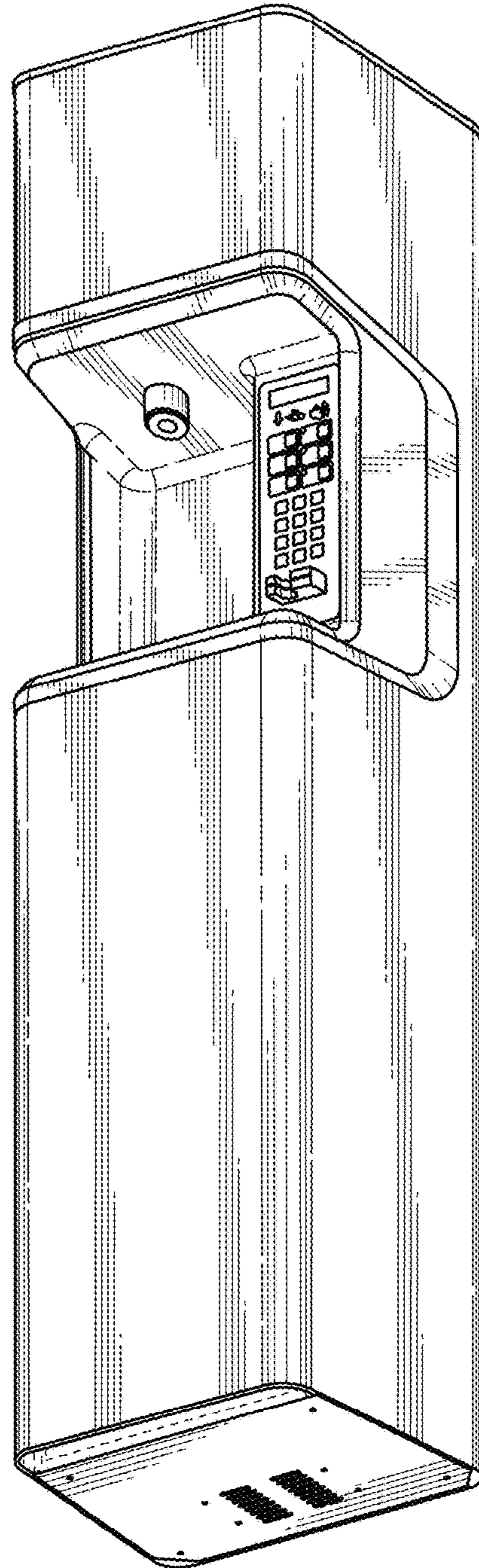


FIG. 2

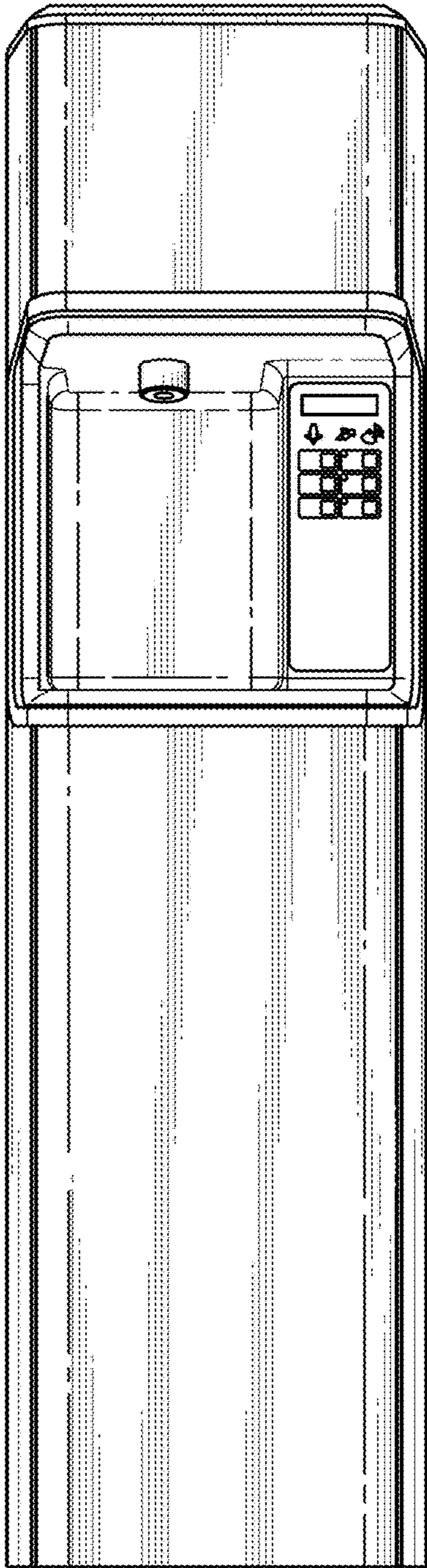


FIG. 3

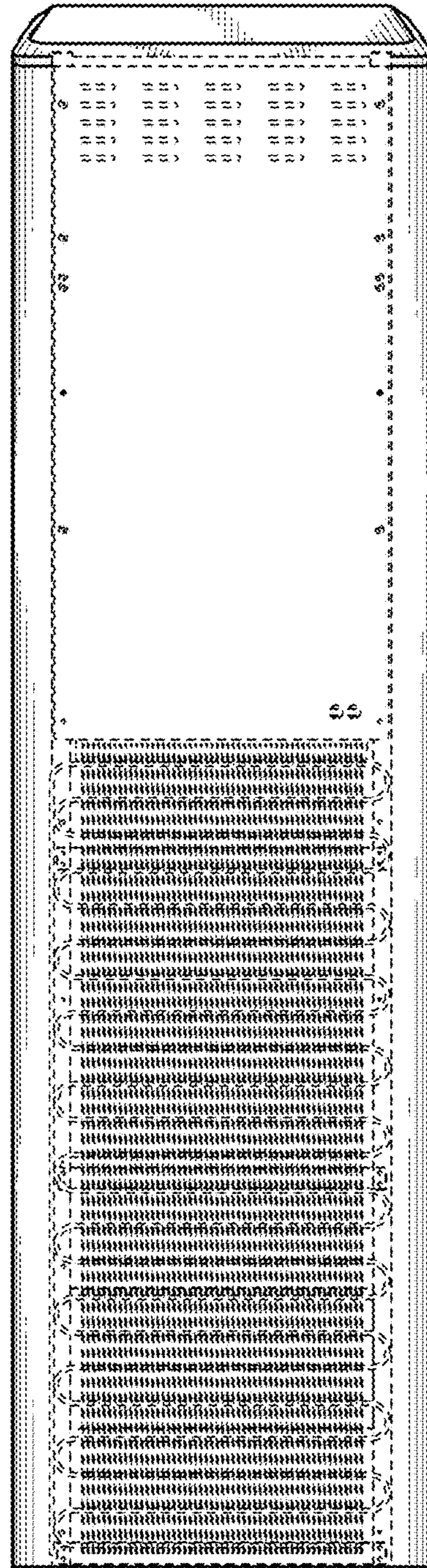


FIG. 4

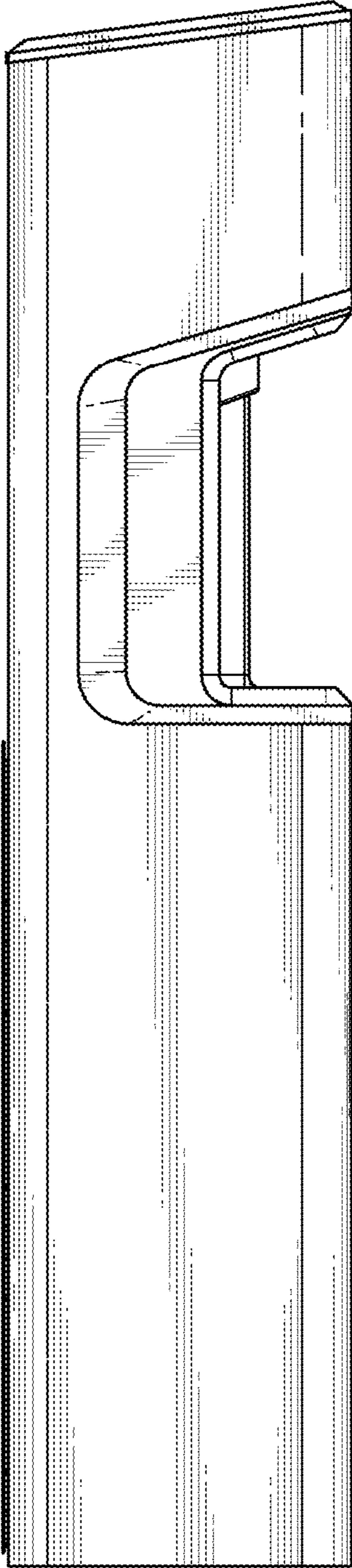


FIG. 5

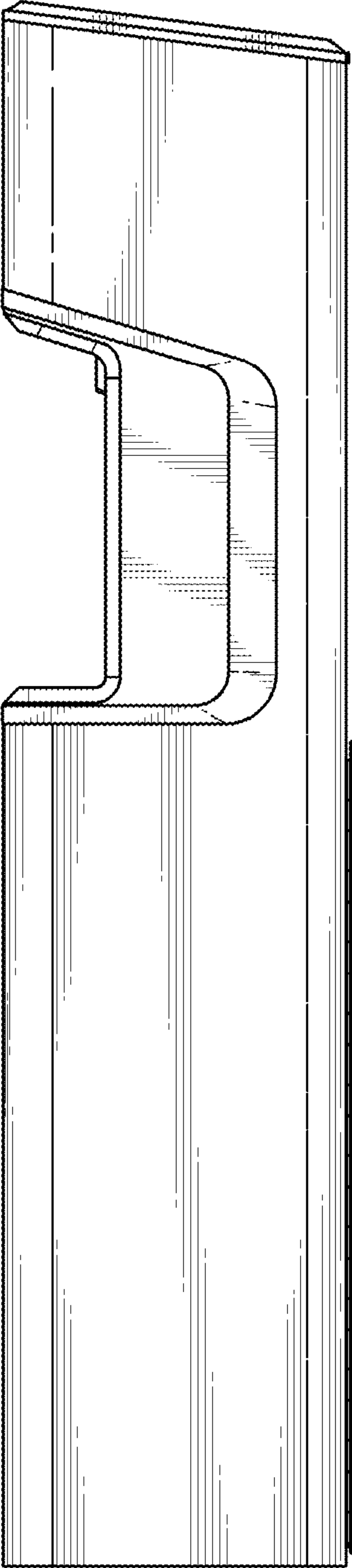


FIG. 6

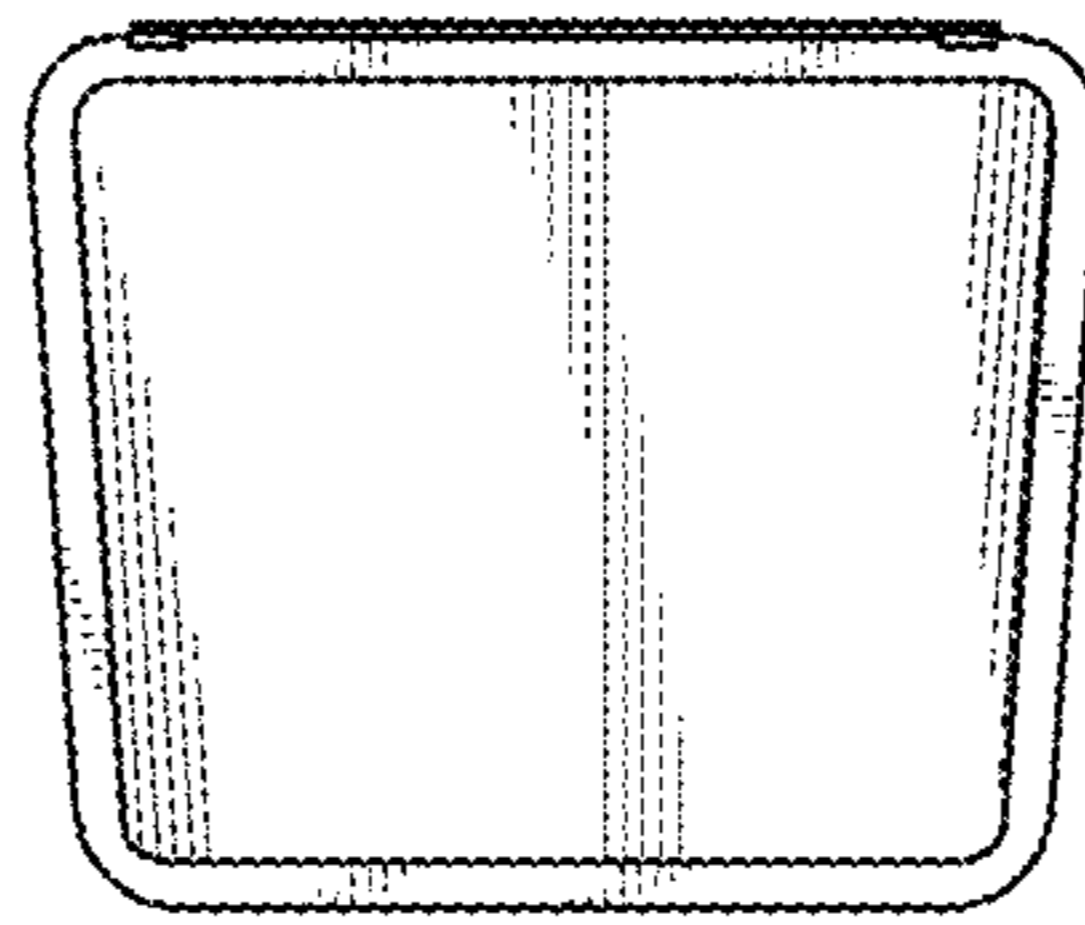


FIG. 7

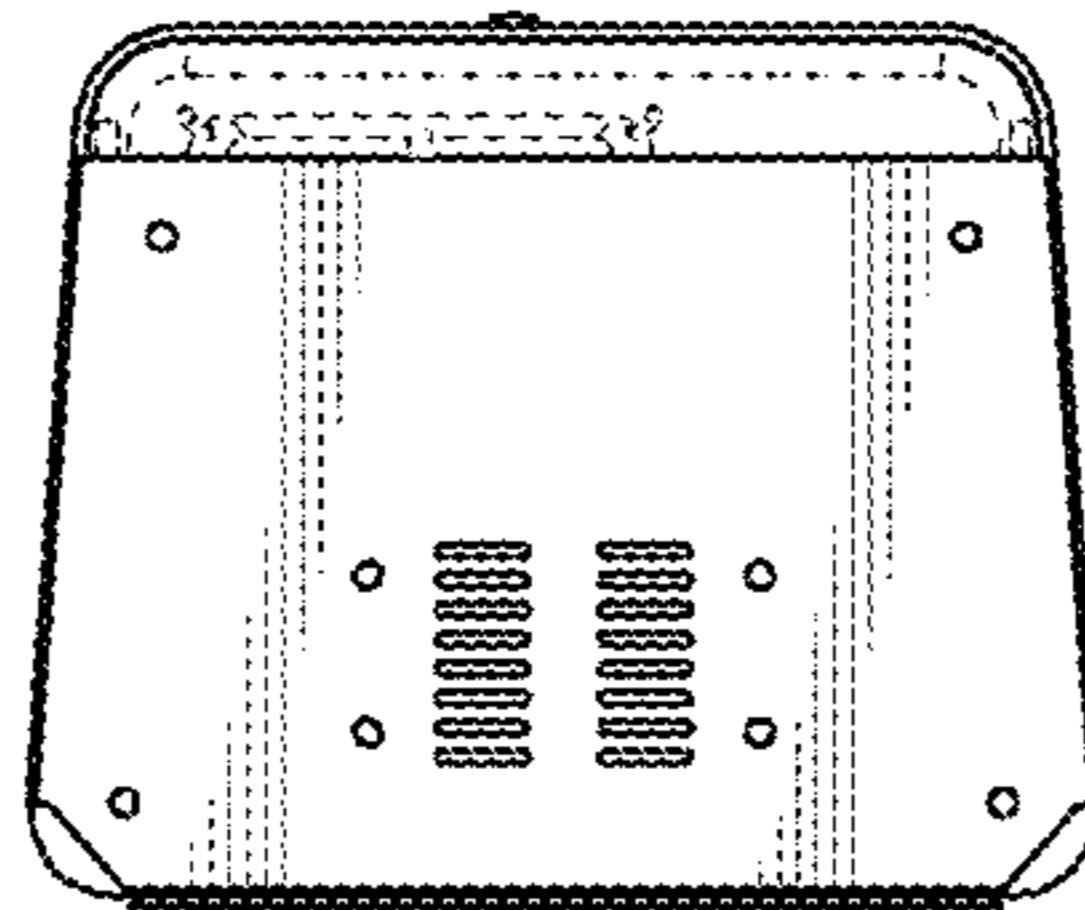


FIG. 8