

US00D790897S

(12) **United States Design Patent** (10) **Patent No.:** **US D790,897 S**  
**Pecora** (45) **Date of Patent:** **\*\* Jul. 4, 2017**

(54) **BOX FOR WINE**  
(71) Applicant: **Alberto Pecora**, Verona (IT)  
(72) Inventor: **Alberto Pecora**, Verona (IT)  
(\*\*) Term: **15 Years**  
(21) Appl. No.: **29/553,327**  
(22) Filed: **Jan. 31, 2016**  
(51) **LOC (10) Cl.** ..... **07-01**  
(52) **U.S. Cl.**  
USPC ..... **D7/301; D7/515; D7/901; D9/668**  
(58) **Field of Classification Search**  
USPC ..... **D7/558, 559, 599, 514, 515, 518, 521,**  
**D7/901, 606, 300, 301; D11/149;**  
**D6/512, 665; D9/668; 206/233;**  
**220/630**  
CPC .... **B65D 23/001; B65D 81/261; B65D 43/18;**  
**B65D 81/365**  
See application file for complete search history.

D323,602 S \* 2/1992 Katz ..... D7/316  
D332,741 S \* 1/1993 Turner ..... 473/596  
D340,078 S \* 10/1993 Turner ..... D11/149  
D354,642 S \* 1/1995 Stoddard ..... D30/102  
D359,655 S \* 6/1995 Hurst ..... D7/514  
D367,340 S \* 2/1996 Dunn ..... D28/67  
D370,154 S \* 5/1996 Gruneisen, III ..... D7/301  
D377,998 S \* 2/1997 Dunn ..... D28/67  
D379,137 S \* 5/1997 Lam ..... D7/589  
5,662,241 A \* 9/1997 Sorensen ..... B65D 23/001  
220/630  
D387,614 S \* 12/1997 Wilson ..... D7/396.2  
D411,715 S \* 6/1999 Hansen ..... D7/606  
D420,003 S \* 2/2000 Dervish ..... D14/189  
D425,757 S \* 5/2000 Printz ..... D7/510  
D511,212 S \* 11/2005 Whalen ..... D24/197  
D522,710 S \* 6/2006 Beacham ..... D99/37  
D541,552 S \* 5/2007 Weldon ..... D3/271.9  
D546,110 S \* 7/2007 Stein ..... D7/301  
D575,079 S \* 8/2008 Hirsh ..... D6/665

(Continued)

*Primary Examiner* — Marianne Pandozzi  
(74) *Attorney, Agent, or Firm* — Andrew C. Aitken

(57) **CLAIM**

The ornamental design for a box for wine, as shown and described.

(56) **References Cited**

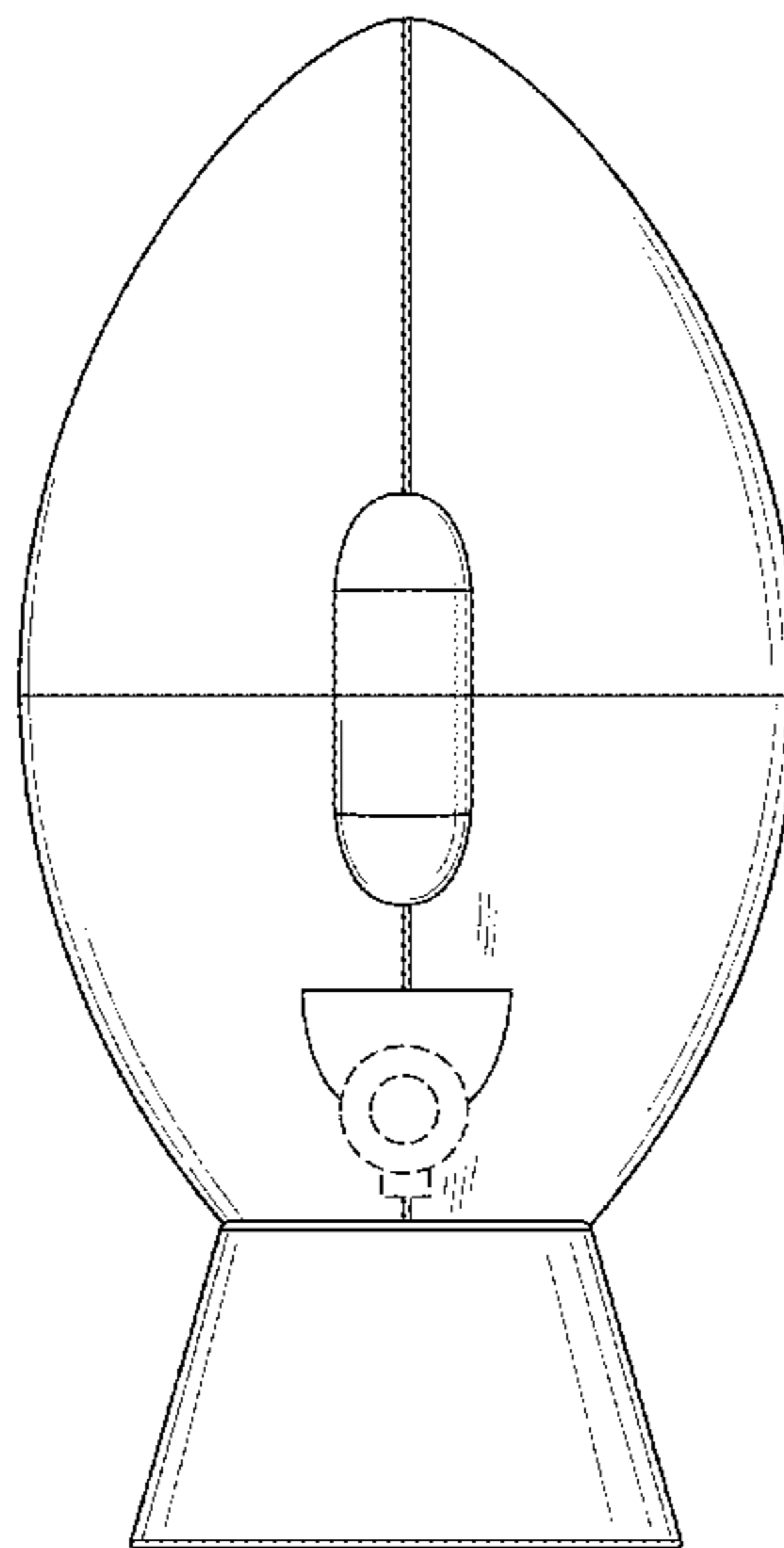
U.S. PATENT DOCUMENTS

D145,800 S \* 10/1946 House, Jr. .... 312/7.1  
D174,237 S \* 3/1955 Stelling ..... D7/301  
D204,477 S \* 4/1966 Lindsay ..... D7/599  
D212,818 S \* 11/1968 Flaherty ..... D7/511  
3,624,939 A \* 12/1971 Gossard ..... A47G 1/12  
206/84  
D228,328 S \* 9/1973 Schley ..... D21/712  
D231,301 S \* 4/1974 Krieger et al. .... D7/559  
D243,648 S \* 3/1977 Conroy ..... D11/145  
D249,438 S \* 9/1978 Meier ..... D7/511  
4,164,284 A \* 8/1979 Witt ..... B65D 81/3846  
206/217  
D266,436 S \* 10/1982 Smith ..... D10/2  
D279,643 S \* 7/1985 Jensen ..... D7/589  
D297,898 S \* 10/1988 Hung ..... D7/589  
D298,105 S \* 10/1988 Lamantia, Jr. .... D9/414

**DESCRIPTION**

FIG. 1 is a front view of a box for wine showing my new design;  
FIG. 2 is a rear view thereof;  
FIG. 3 is a view half way between a front and side view thereof;  
FIG. 4 is an exploded perspective view thereof;  
FIG. 5 is a top plan view thereof;  
FIG. 6 is a bottom plan view thereof; and,  
FIG. 7 is a bottom perspective view thereof.  
The broken lines in the drawing depict portions of the box for wine that form no part of the claimed design.

**1 Claim, 7 Drawing Sheets**



(56)

References Cited

U.S. PATENT DOCUMENTS

D589,765	S *	4/2009	Zuloff .....	D7/515
D604,086	S *	11/2009	Lipinski .....	D7/301
D611,287	S *	3/2010	Lochen .....	D7/301
D614,504	S *	4/2010	Coat .....	D9/548
D621,199	S *	8/2010	Lam .....	D7/325
D621,657	S *	8/2010	Quinn .....	D7/507
D623,905	S *	9/2010	Paslowski .....	D7/606
D632,519	S *	2/2011	Zimmermann .....	D7/301
7,954,634	B2 *	6/2011	Blakeman .....	B65D 43/18 206/233
D666,048	S *	8/2012	Kasswran .....	D7/301
D666,919	S *	9/2012	Gelin .....	D9/668
D668,497	S *	10/2012	Hixon .....	D7/301
D677,100	S *	3/2013	Amundson .....	D7/301
8,684,397	B2 *	4/2014	Blakeman .....	A45C 5/08 280/30
D710,152	S *	8/2014	Marini .....	D7/515
D710,154	S *	8/2014	Marini .....	D7/515
D713,688	S *	9/2014	Thomas .....	D7/515
D714,868	S *	10/2014	Nash .....	D19/86
D718,146	S *	11/2014	Tussy .....	D9/668
D735,050	S *	7/2015	Tussy .....	D9/668
D735,533	S *	8/2015	Kolano .....	D7/539
D775,913	S *	1/2017	Knirr .....	D8/38
2011/0079526	A1 *	4/2011	Blakeman .....	B65D 43/18 206/457

\* cited by examiner

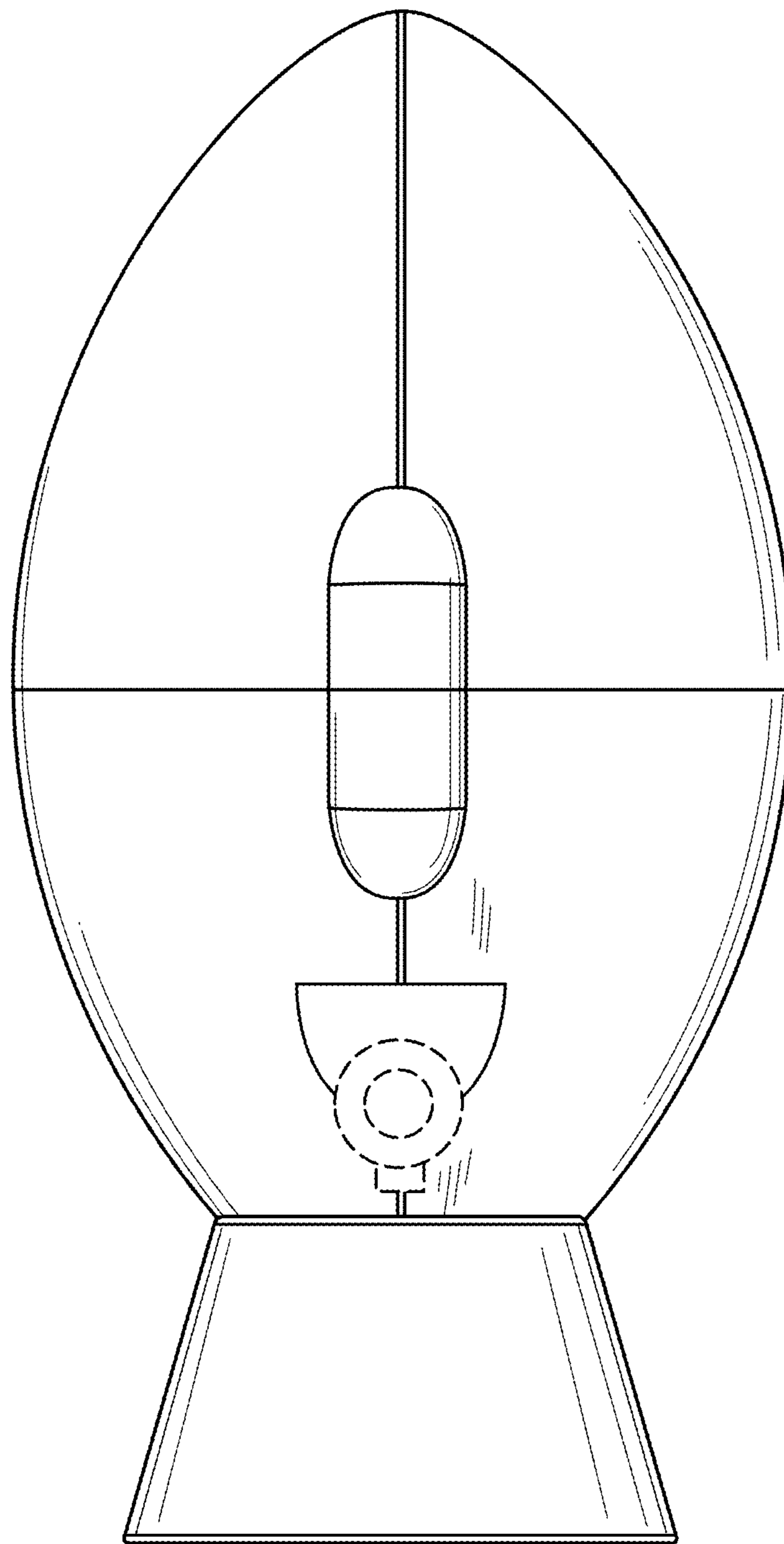


FIG. 1

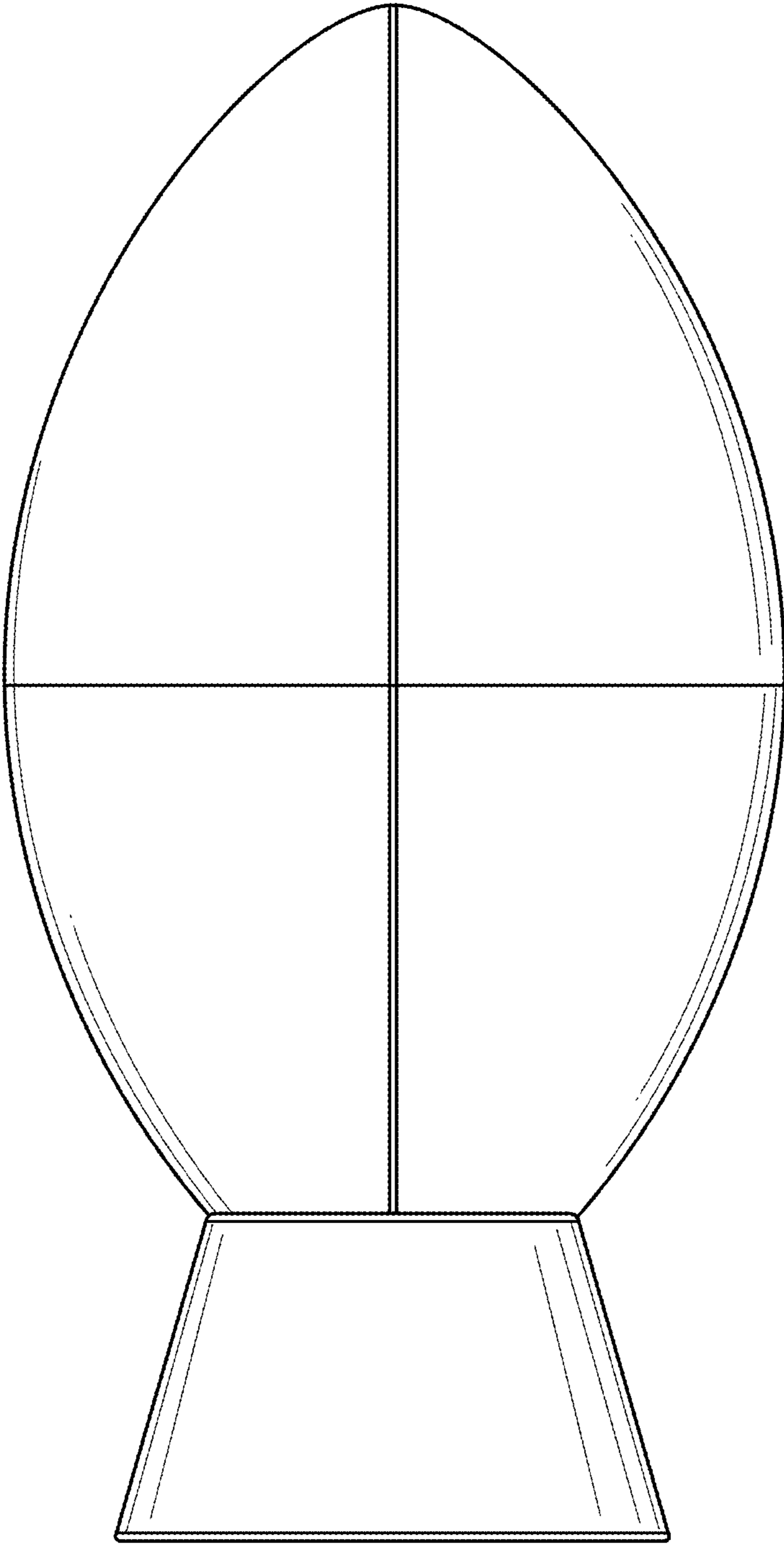


FIG. 2

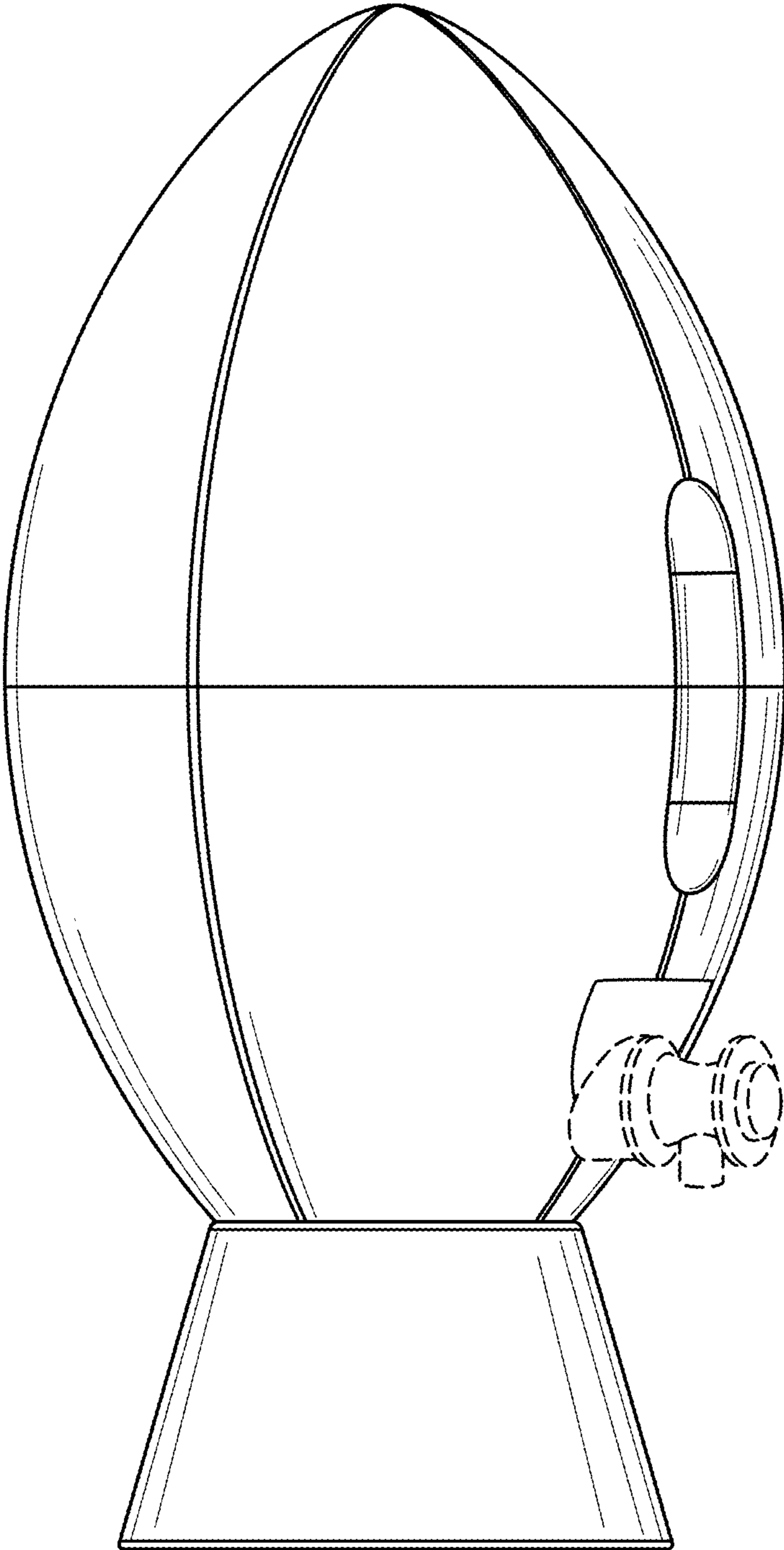


FIG. 3

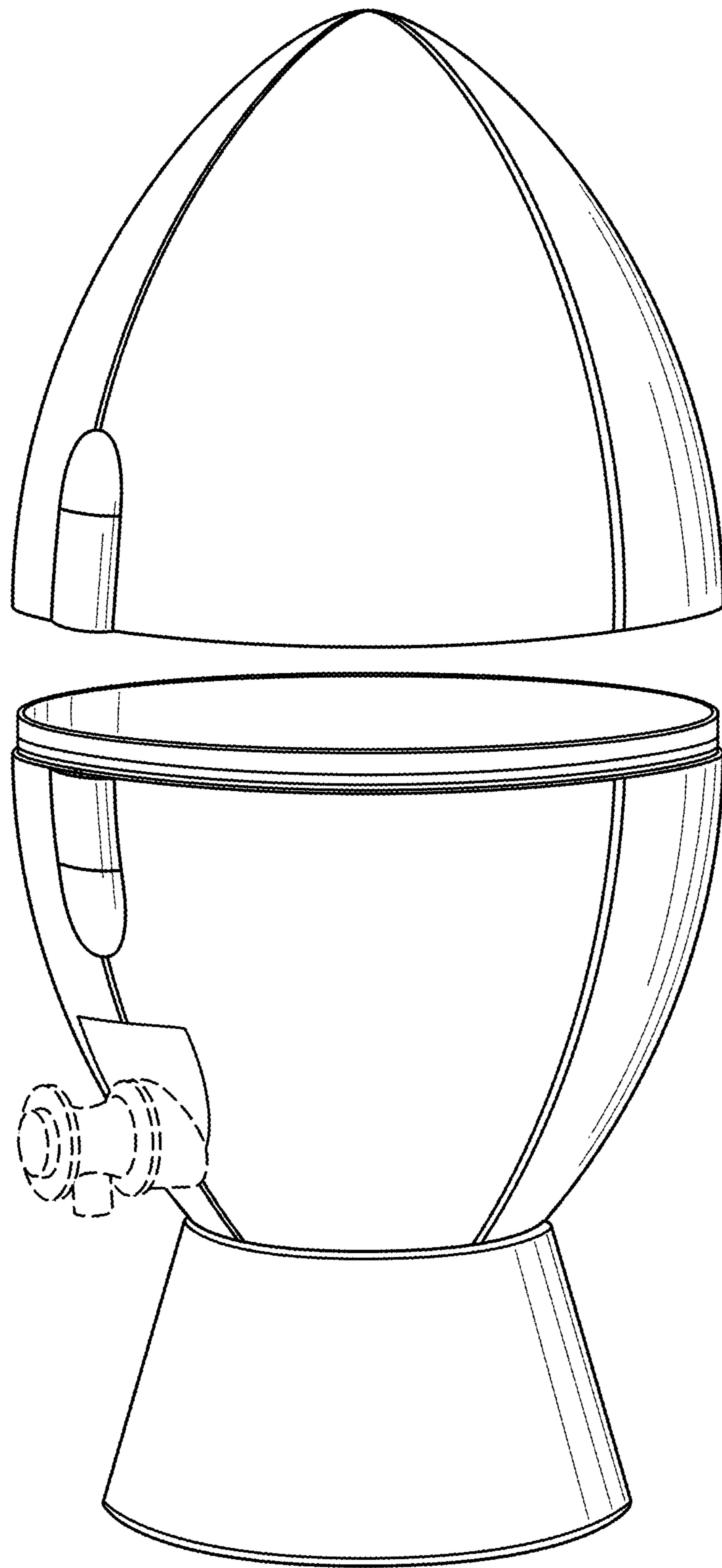


FIG. 4

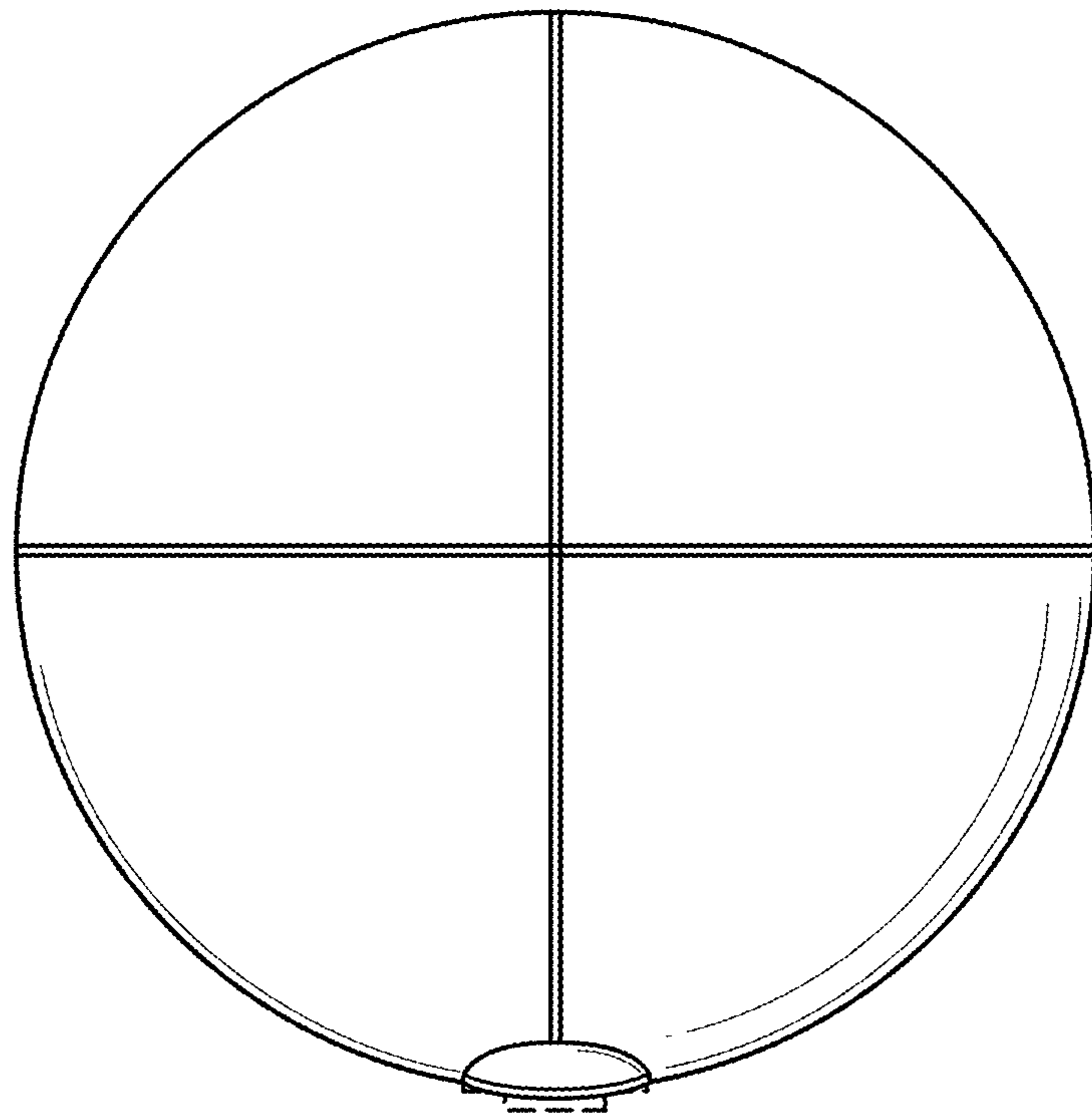


FIG. 5

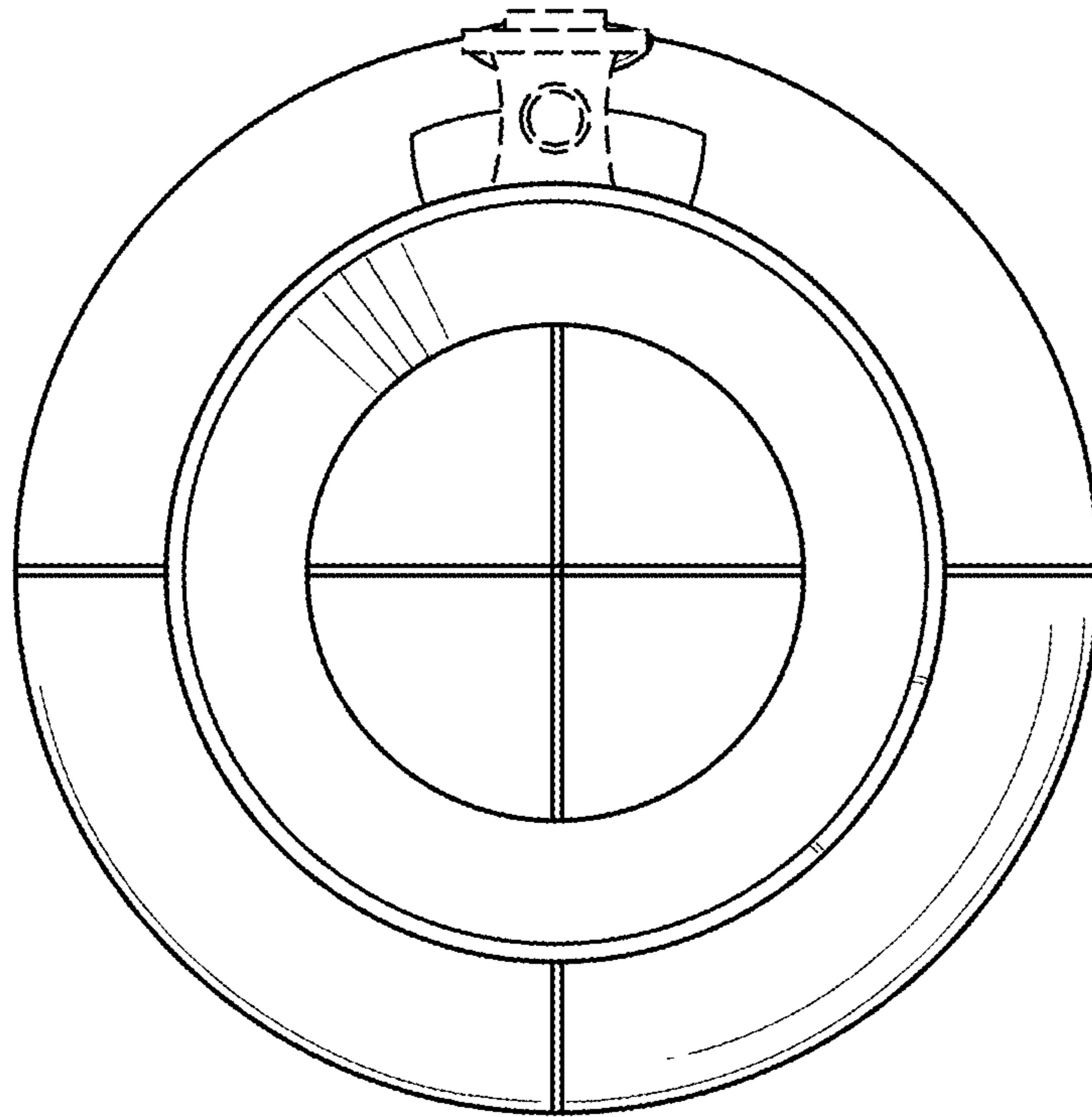


FIG. 6



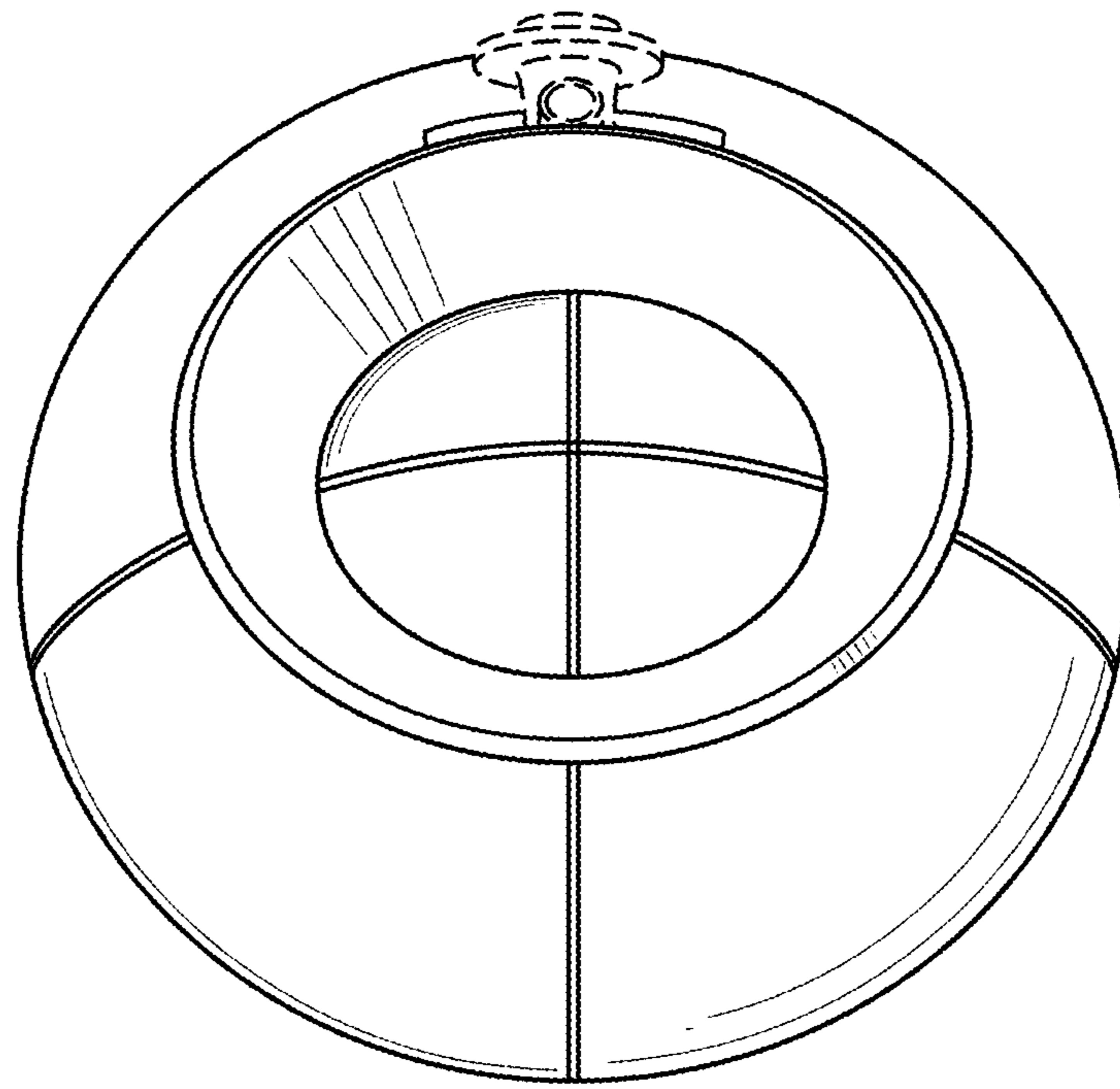


FIG. 7