



US00D790896S

(12) **United States Design Patent** (10) **Patent No.:** **US D790,896 S**
Pasquet et al. (45) **Date of Patent:** **** Jul. 4, 2017**

(54) **MACHINE FOR REGULATING THE TEMPERATURE AERATION AND DISTRIBUTION OF WINE**

D648,971 S * 11/2011 Goralski D7/300
D649,391 S * 11/2011 Goralski D7/300
D688,080 S * 8/2013 Kalik D7/307
8,820,094 B1 * 9/2014 Casher B67D 3/0054
62/3.2
D732,872 S * 6/2015 Kalik D7/307
9,352,949 B2 * 5/2016 Rege B67D 1/0418
D765,151 S * 8/2016 Park D15/81
9,416,340 B2 * 8/2016 Kyle C12C 12/00
D765,744 S * 9/2016 Park D15/89
D774,364 S * 12/2016 Sitar D7/619.1
D775,245 S * 12/2016 Seo D15/81

(71) Applicant: **10-VINS**, Nantes (FR)

(72) Inventors: **Jérôme Pasquet**, Nantes (FR); **Luis Da Silva**, Rezé (FR); **Thibaut Jarrousse**, Nantes (FR)

(**) Term: **15 Years**

(21) Appl. No.: **35/500,624**

(22) Filed: **Jan. 19, 2016**

(80) **Hague Agreement Data**

Int. Filing Date: **Sep. 21, 2015**
Int. Reg. No.: **DM/089317**
Int. Reg. Date: **Jan. 19, 2016**
Int. Reg. Pub. Date: **Feb. 19, 2016**

(51) **LOC (10) Cl.** **31-00**

(52) **U.S. Cl.**
USPC **D7/300**

(58) **Field of Classification Search**
USPC D7/300; D15/81
CPC B67D 3/0054; B67D 1/0418; C12C 12/00
See application file for complete search history.

(56) **References Cited**

U.S. PATENT DOCUMENTS

D460,466 S * 7/2002 Ma D15/79
D472,096 S * 3/2003 Christianson D7/300

* cited by examiner

Primary Examiner — George D. Kirschbaum

(57) **CLAIM**

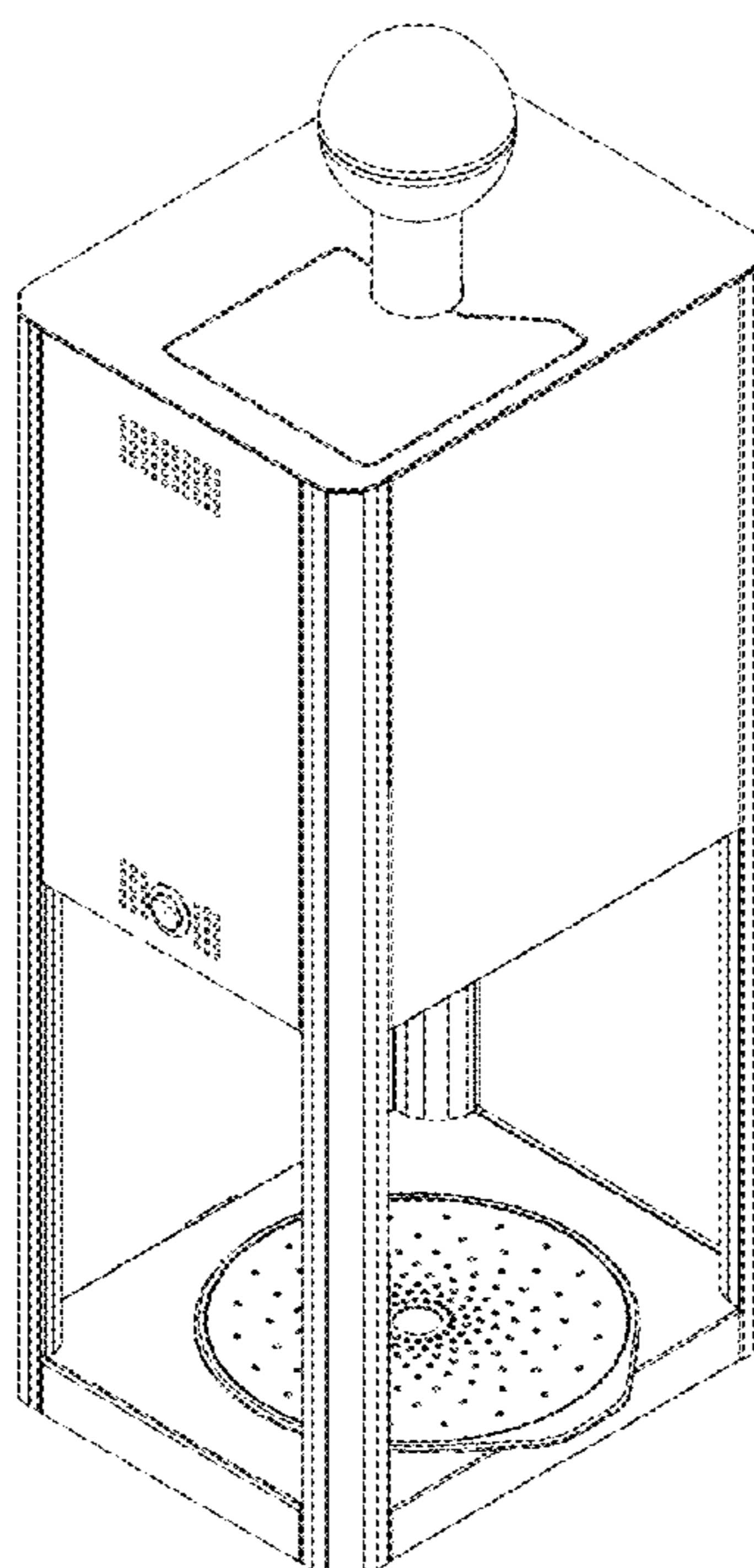
We claim the ornamental design for a machine for regulating the temperature, aeration and distribution of wine, as shown and described.

DESCRIPTION

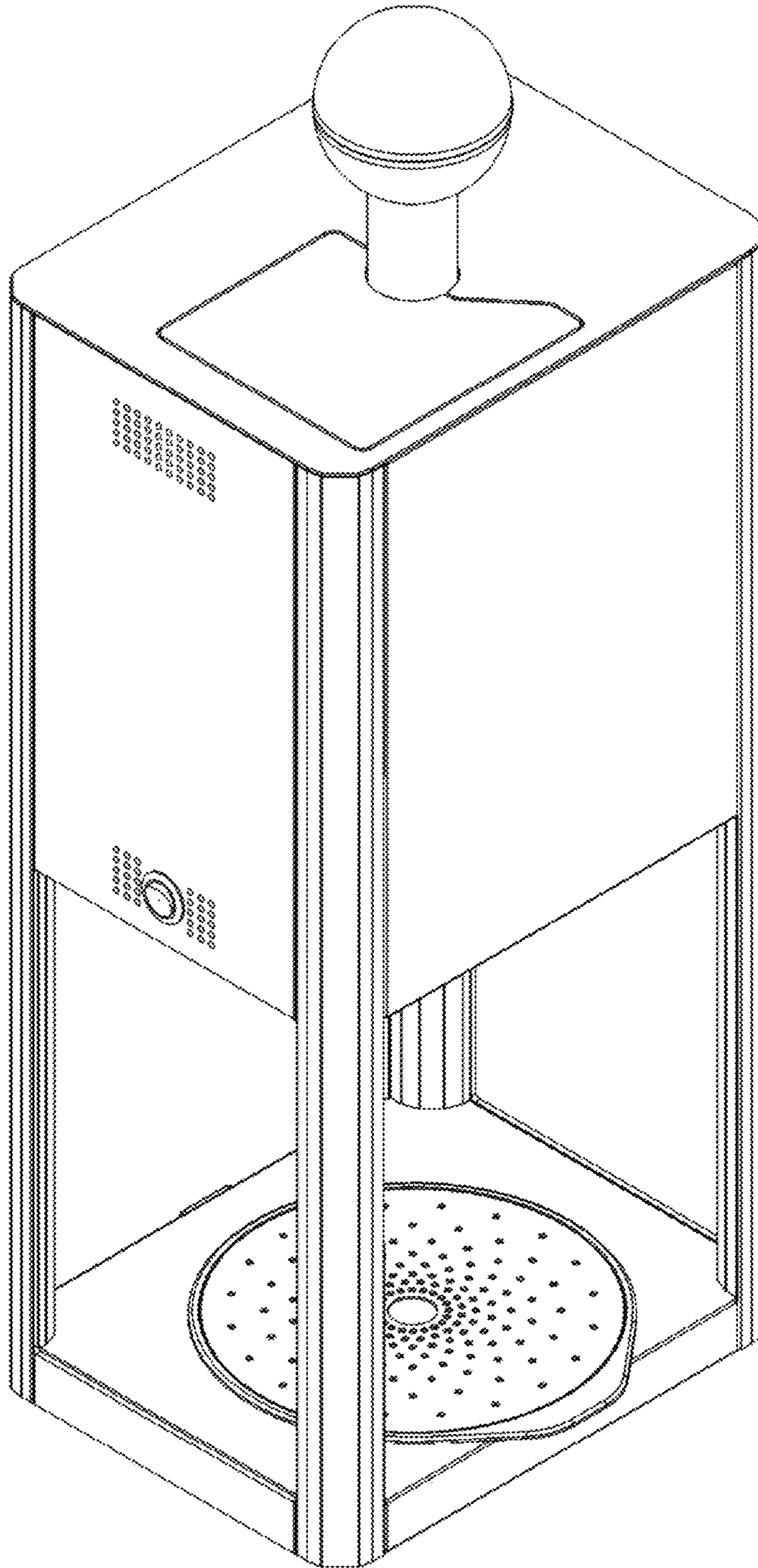
1. Machine for regulating the temperature, aeration and distribution of wine

- 1.1 : Perspective
- 1.2 : Front
- 1.3 : Back
- 1.4 : Right
- 1.5 : Left
- 1.6 : Top
- 1.7 : Bottom
- 1.8 : Perspective

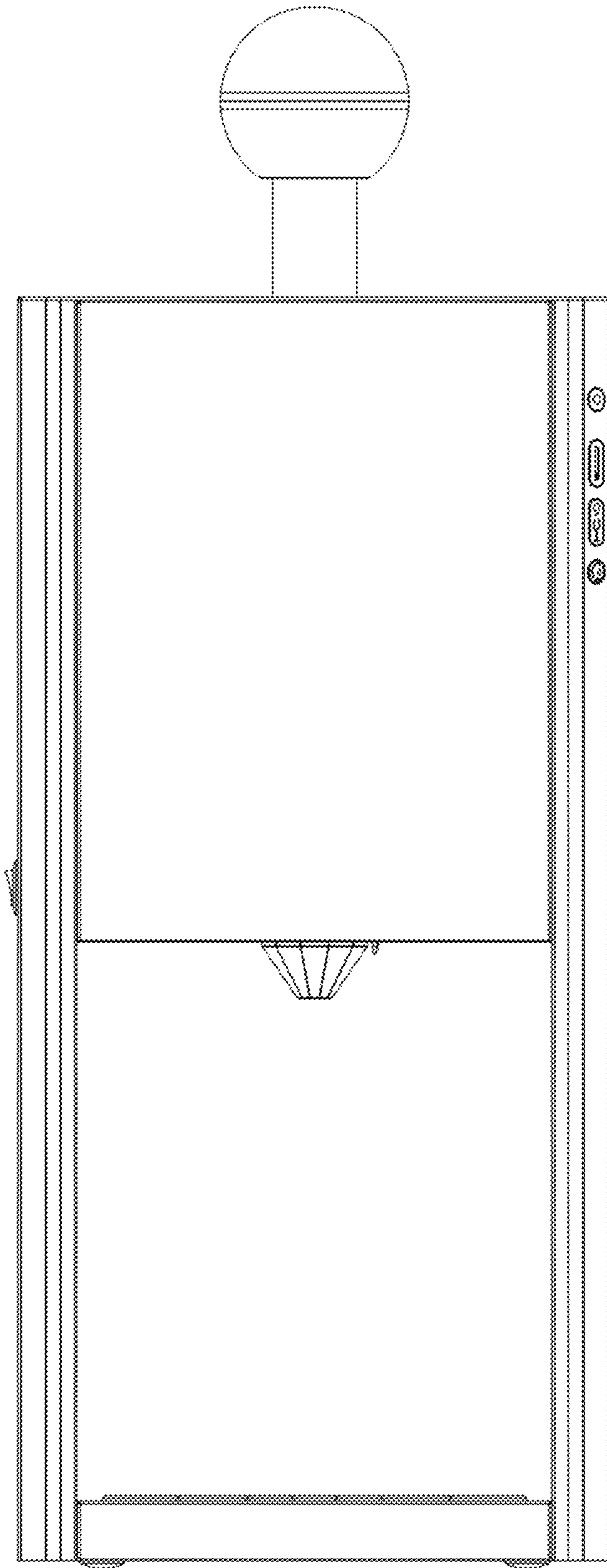
1 Claim, 8 Drawing Sheets



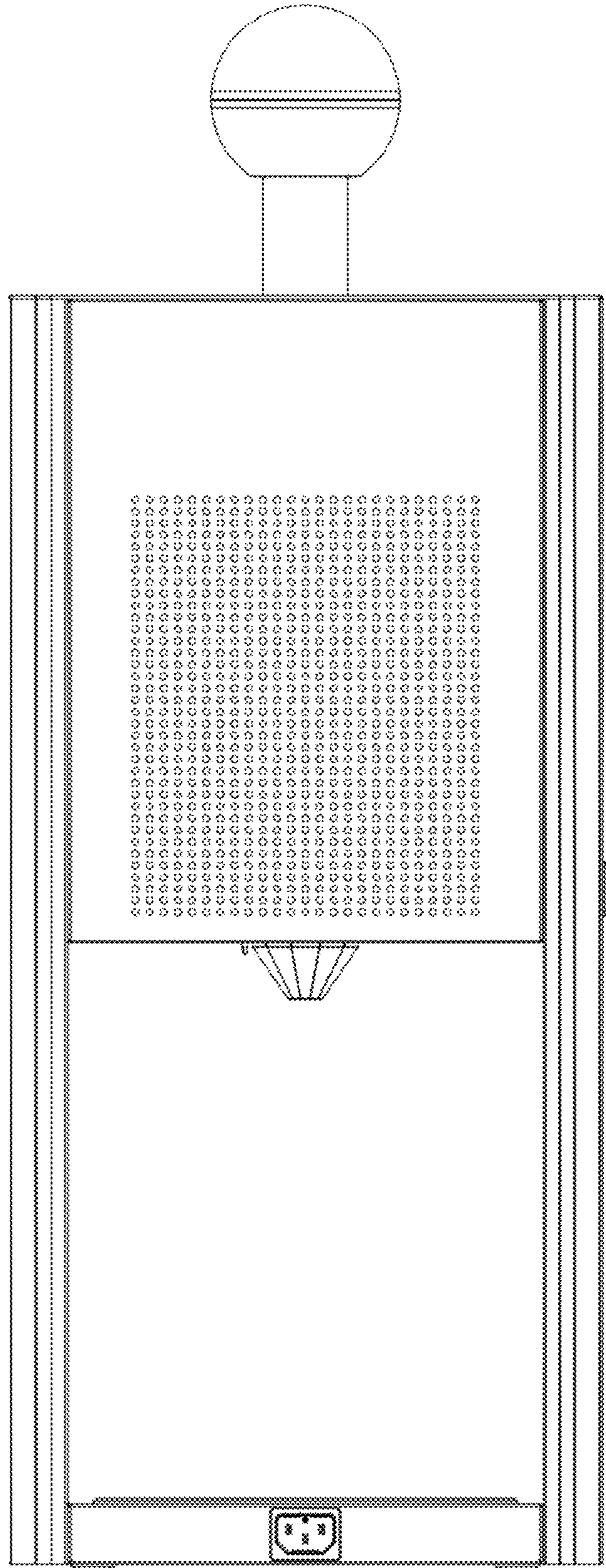
1.1



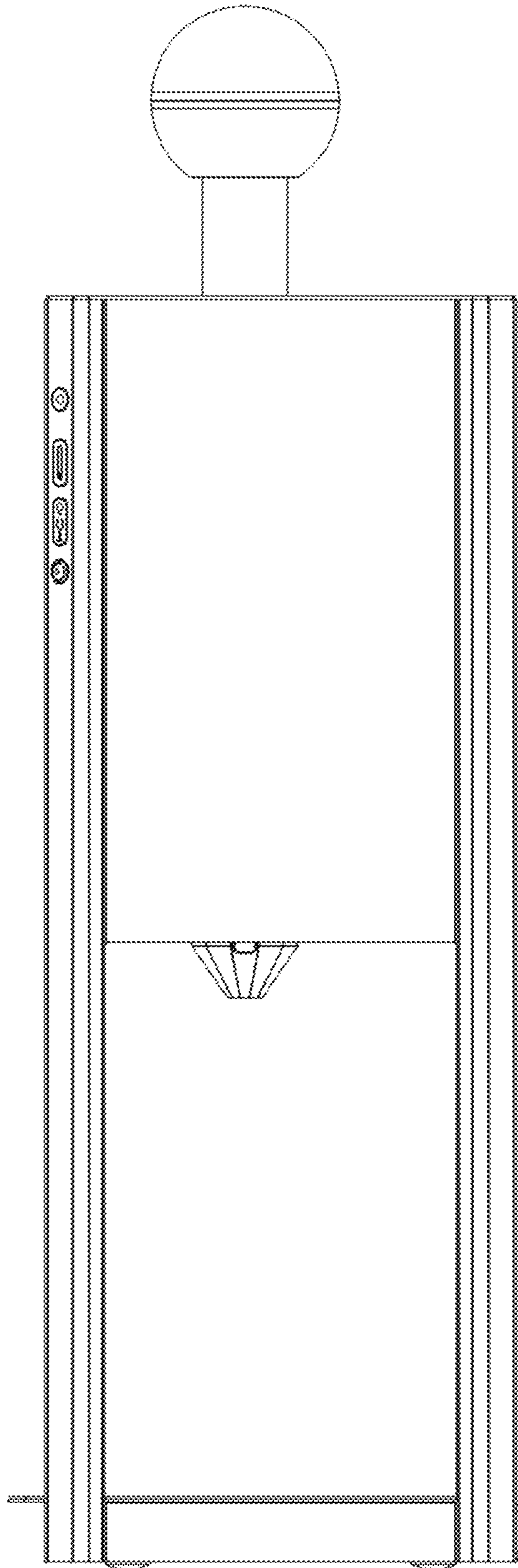
1.2



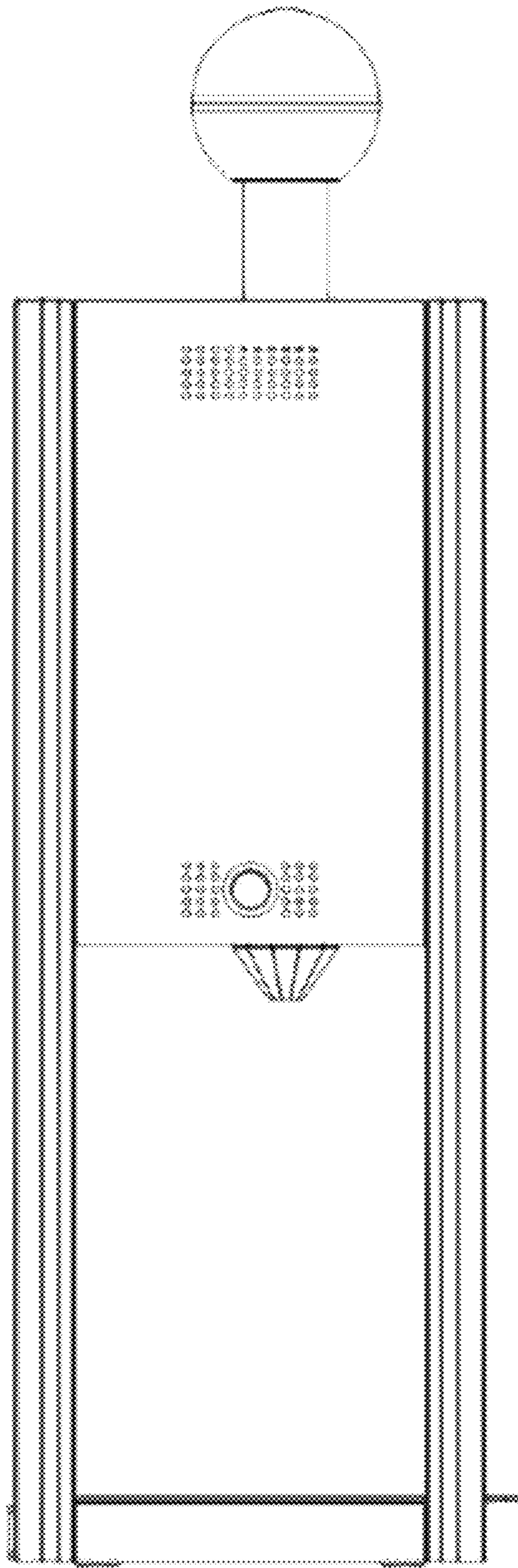
1.3



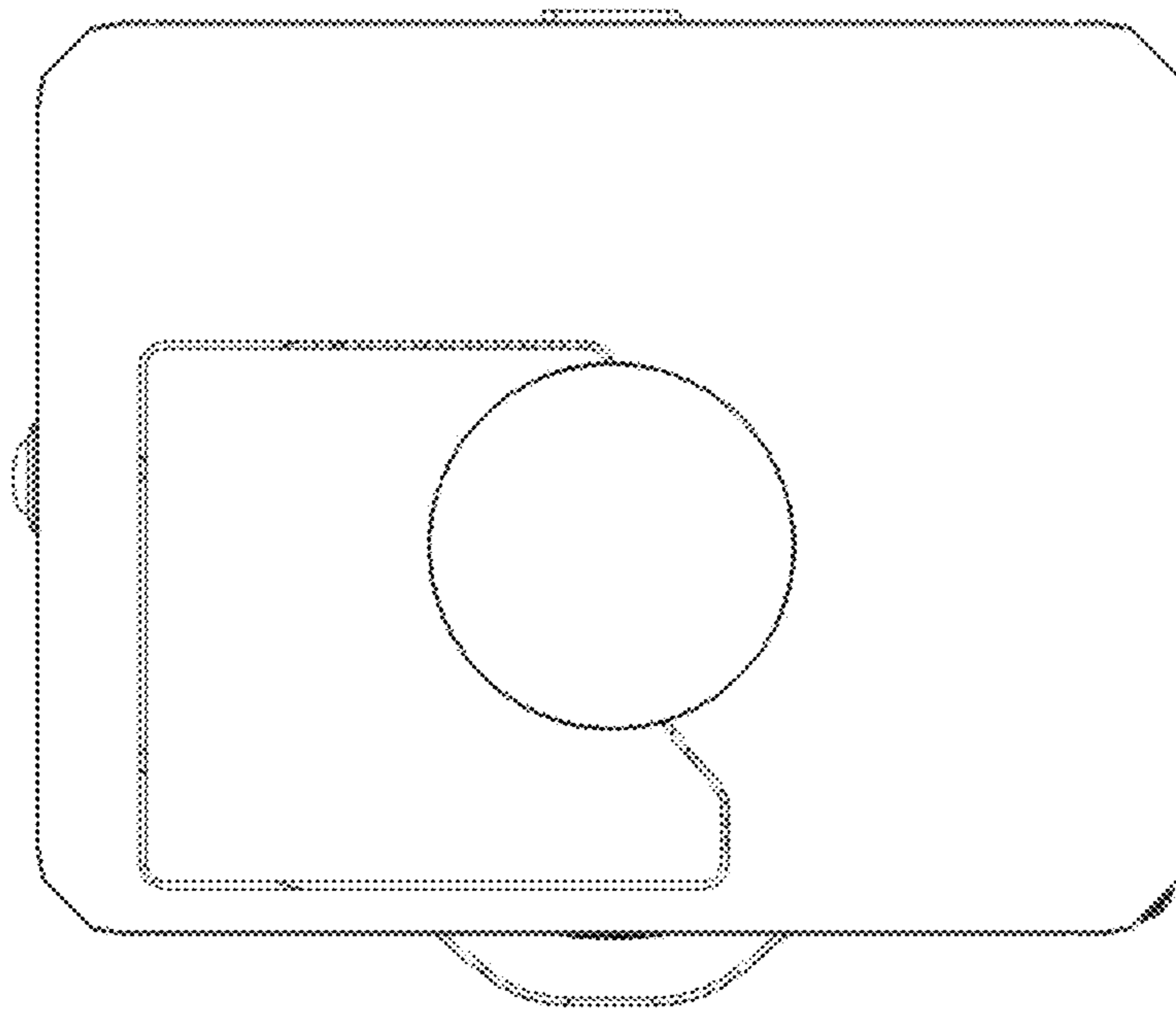
1.4



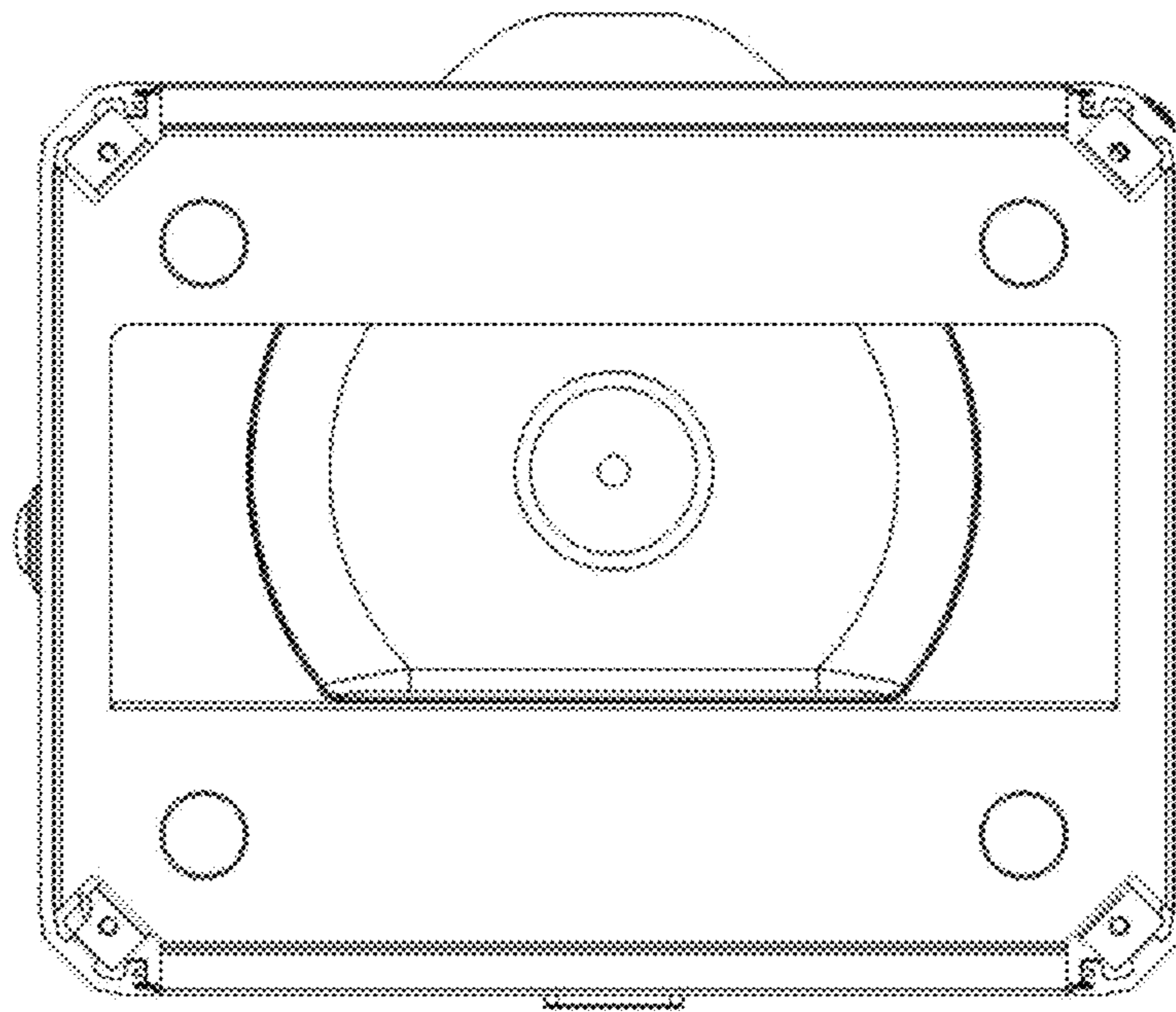
1.5



1.6



1.7



1.8

