



US00D790894S

(12) **United States Design Patent** (10) **Patent No.:** **US D790,894 S**
Lah (45) **Date of Patent:** **** Jul. 4, 2017**

(54) **LEG FOR COT**

(71) Applicant: **Jeh-Kun Lah**, Seoul (KR)

(72) Inventor: **Jeh-Kun Lah**, Seoul (KR)

(*) Notice: This patent is subject to a terminal disclaimer.

(**) Term: **14 Years**

(21) Appl. No.: **29/500,197**

(22) Filed: **Aug. 22, 2014**

(30) **Foreign Application Priority Data**

Jun. 9, 2014 (KR) 30-2014-0028015

(51) **LOC (10) Cl.** **06-06**

(52) **U.S. Cl.**
USPC **D6/709.2; D6/718**

(58) **Field of Classification Search**
USPC D6/382-384, 392, 393, 349, 718, 718.11,
D6/718.12, 708.16, 709.2, 691.6, 692.4
CPC A47C 19/00; A47C 17/64; A47C 17/68;
A47C 19/024; A47C 17/70; A47C 19/12
See application file for complete search history.

(56) **References Cited**

U.S. PATENT DOCUMENTS

207,060	A *	8/1878	Morambert	5/114
D333,228	S *	2/1993	Hosoe	D6/696.3
D588,846	S *	3/2009	Lovegrove	D6/708.16
D588,847	S *	3/2009	Lovegrove	D6/708.16

* cited by examiner

Primary Examiner — Janice Seeger

(74) *Attorney, Agent, or Firm* — Nixon Peabody LLP;
Jeffrey L. Costellia

(57) **CLAIM**

The ornamental design for a leg for cot, as shown and described.

DESCRIPTION

FIG. 1 is a perspective view of new design for a leg for cot as shown in the drawings;
FIG. 2 is a front elevation view;
FIG. 3 is a rear elevation view;
FIG. 4 is a left side view;
FIG. 5 is a right side view;
FIG. 6 is a top plan view; and,
FIG. 7 is a bottom plan view.

1 Claim, 4 Drawing Sheets

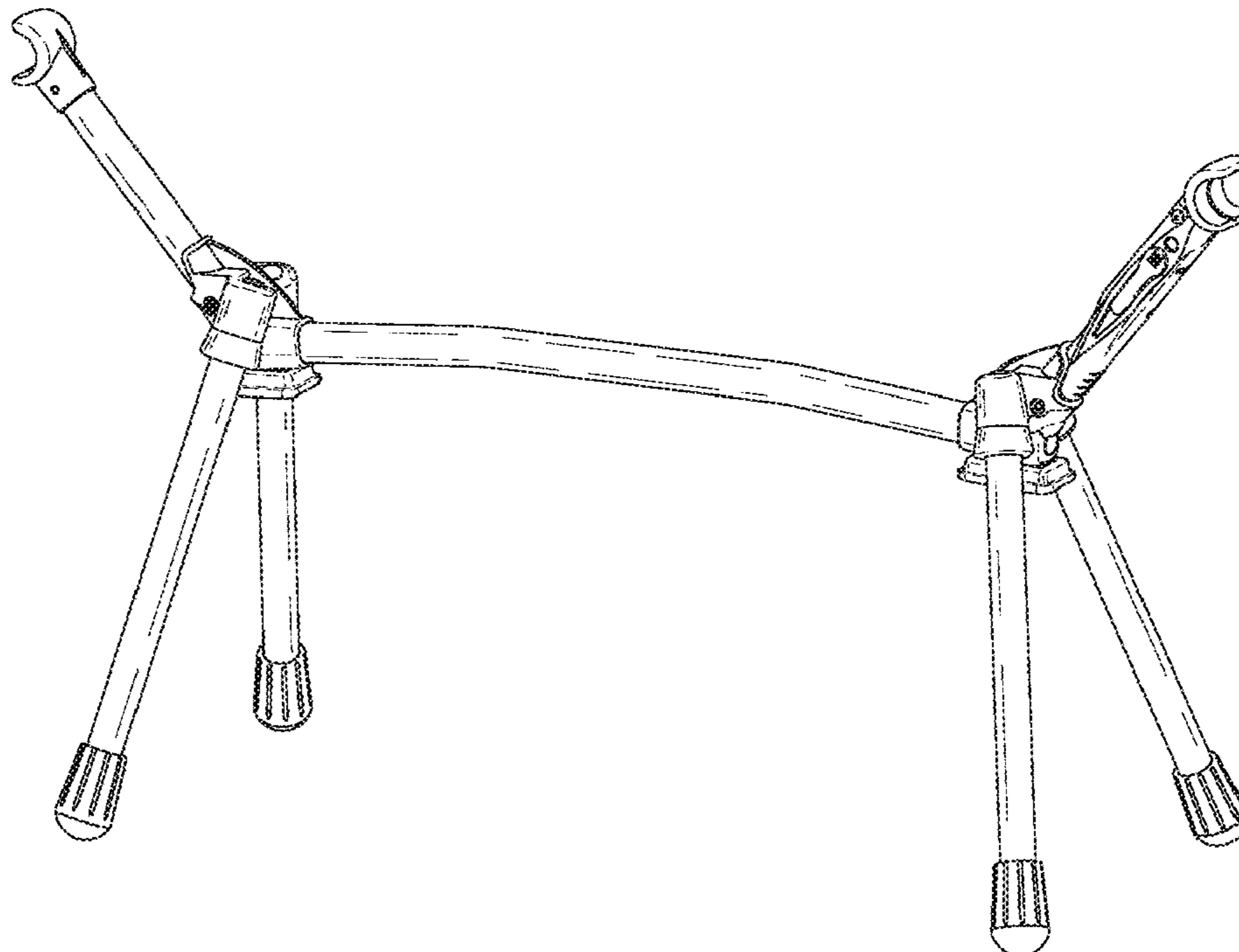


Fig. 1

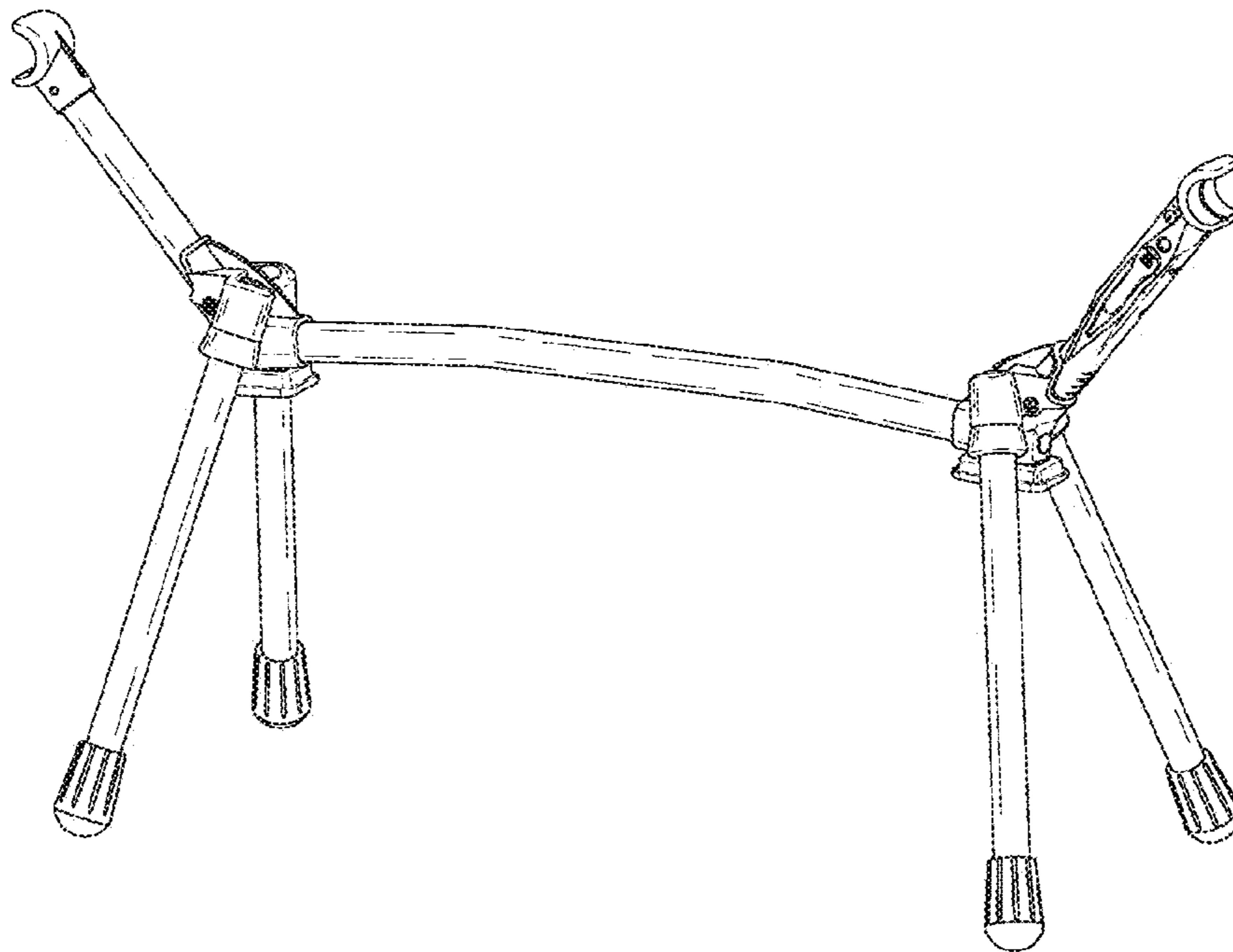


Fig. 2

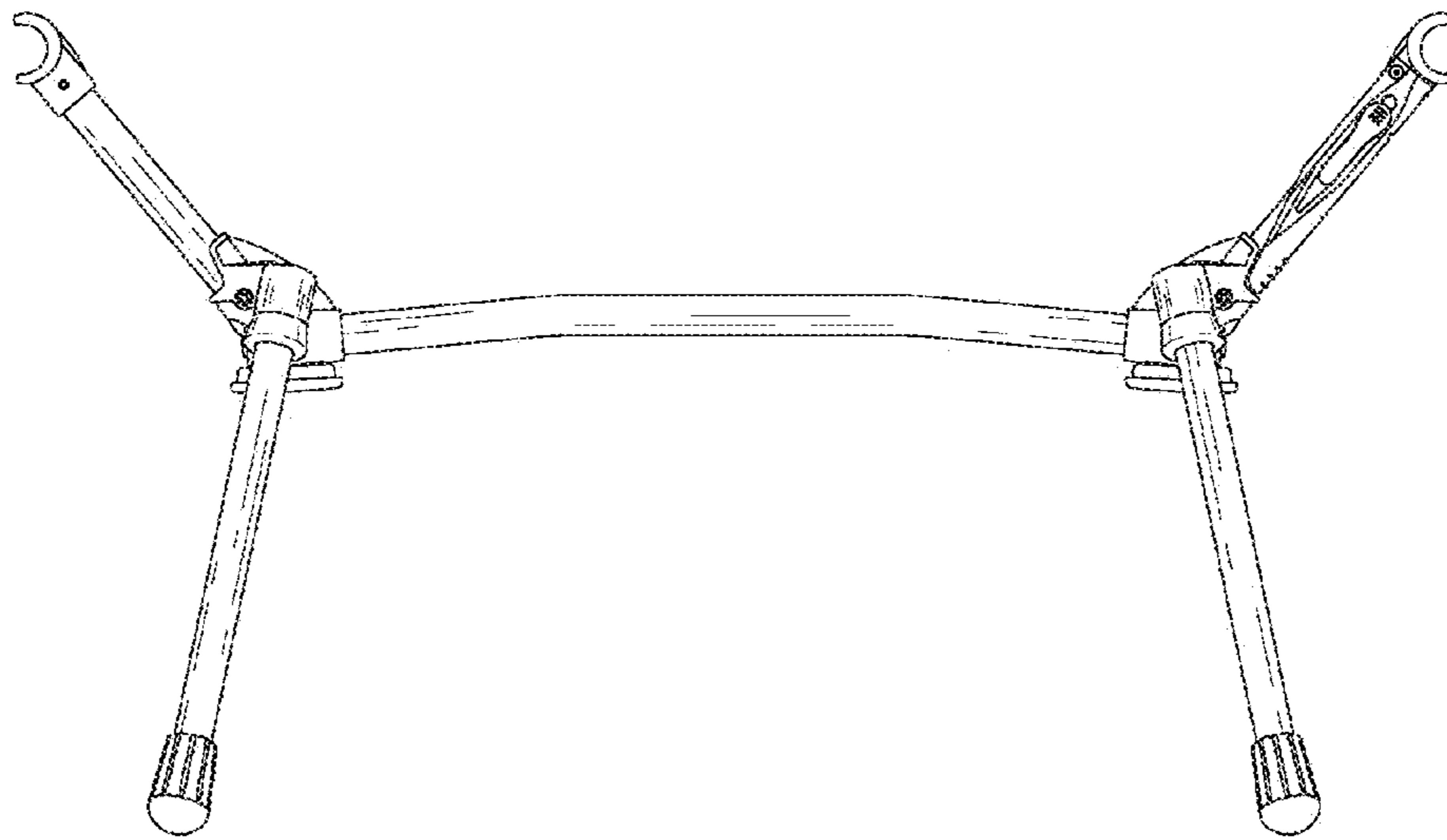


Fig. 3

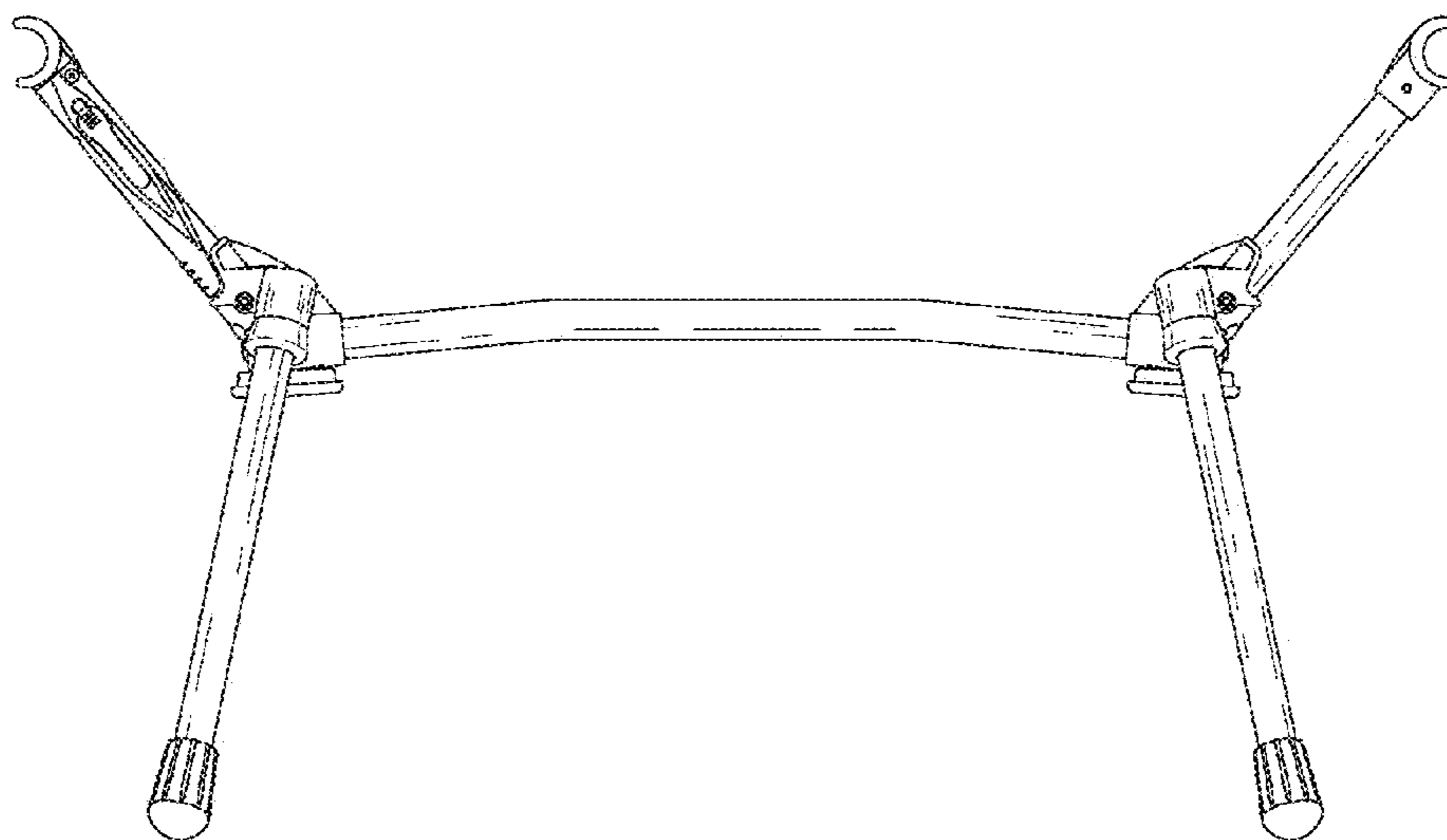


Fig. 4

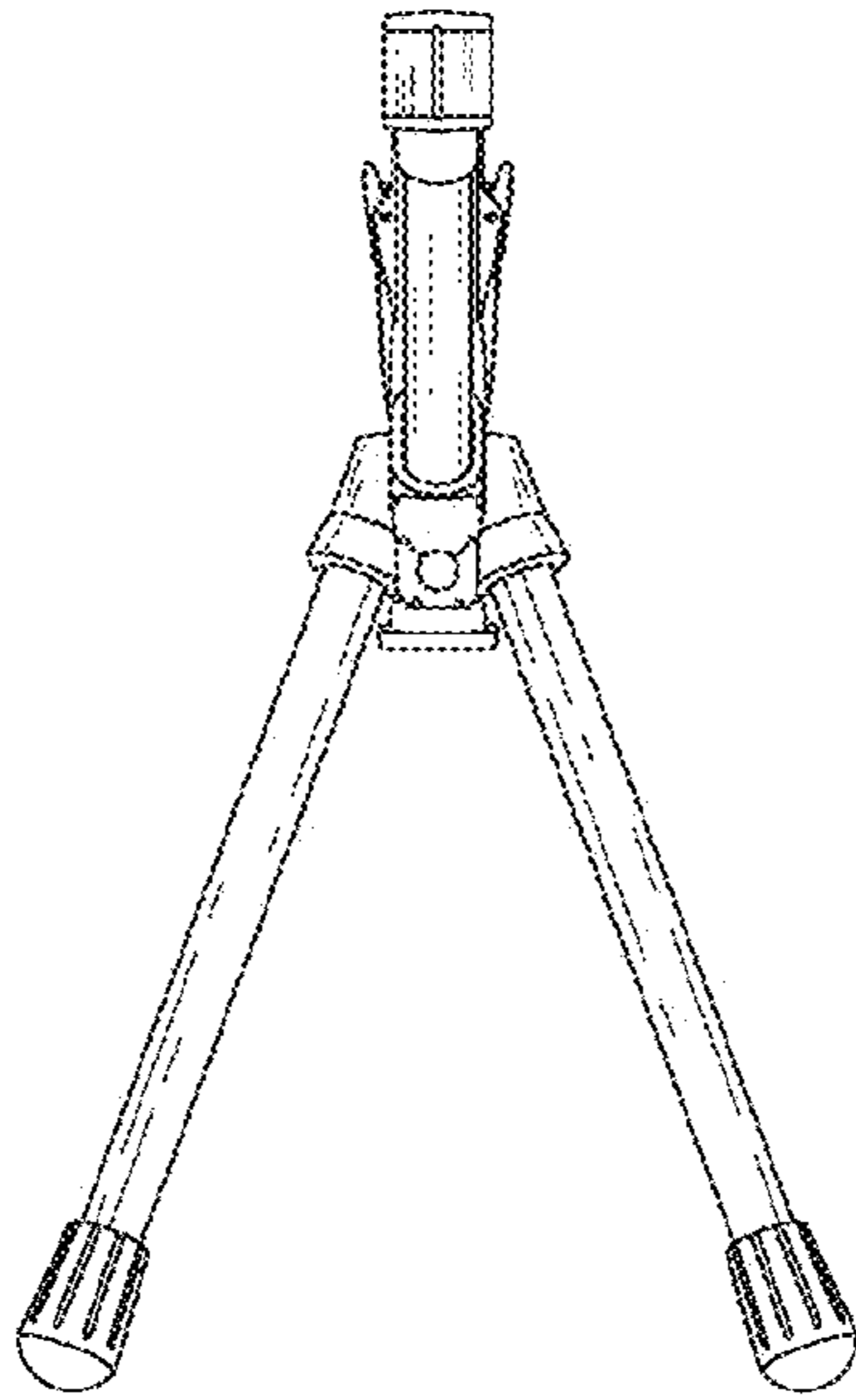


Fig. 5

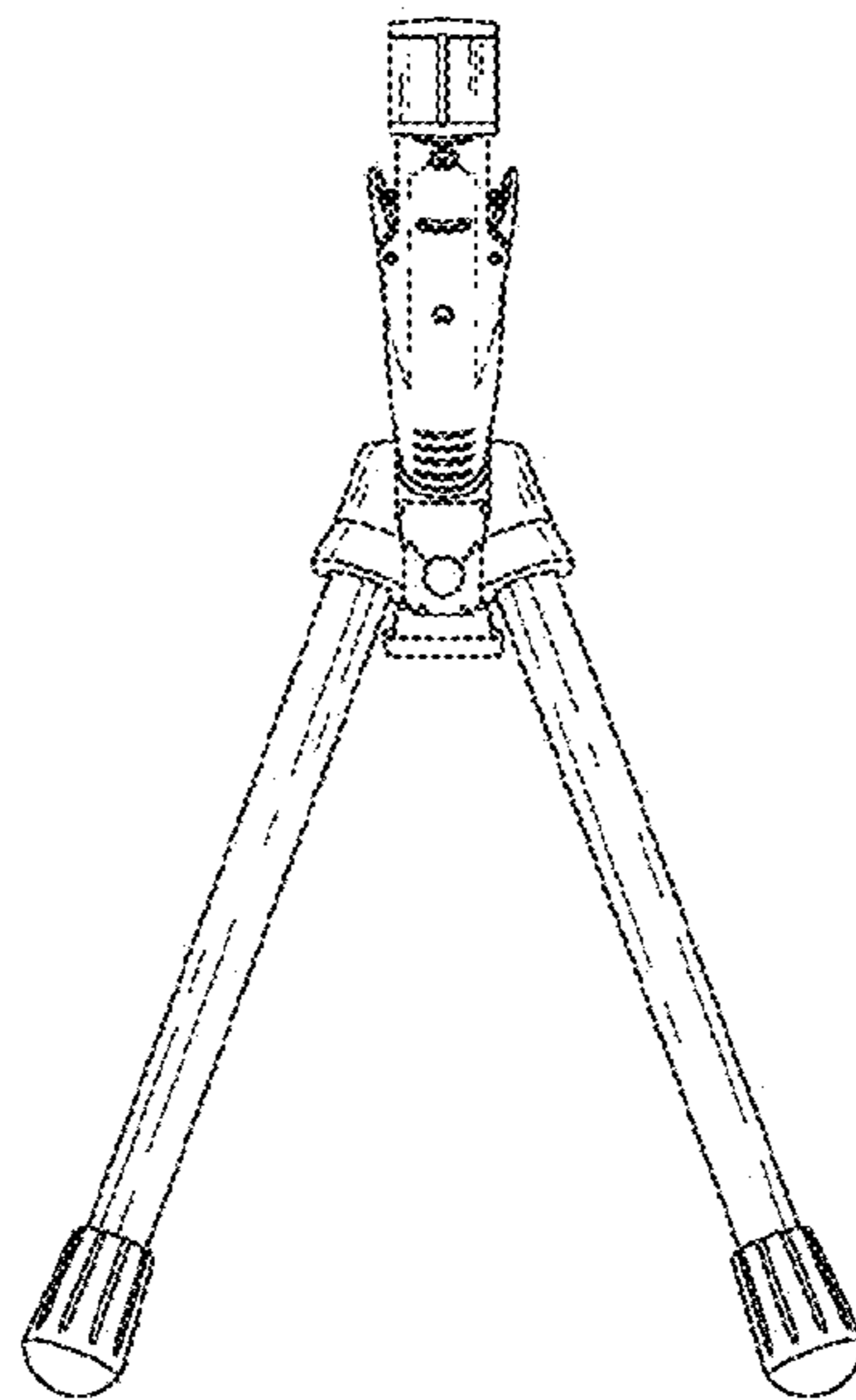


Fig. 6

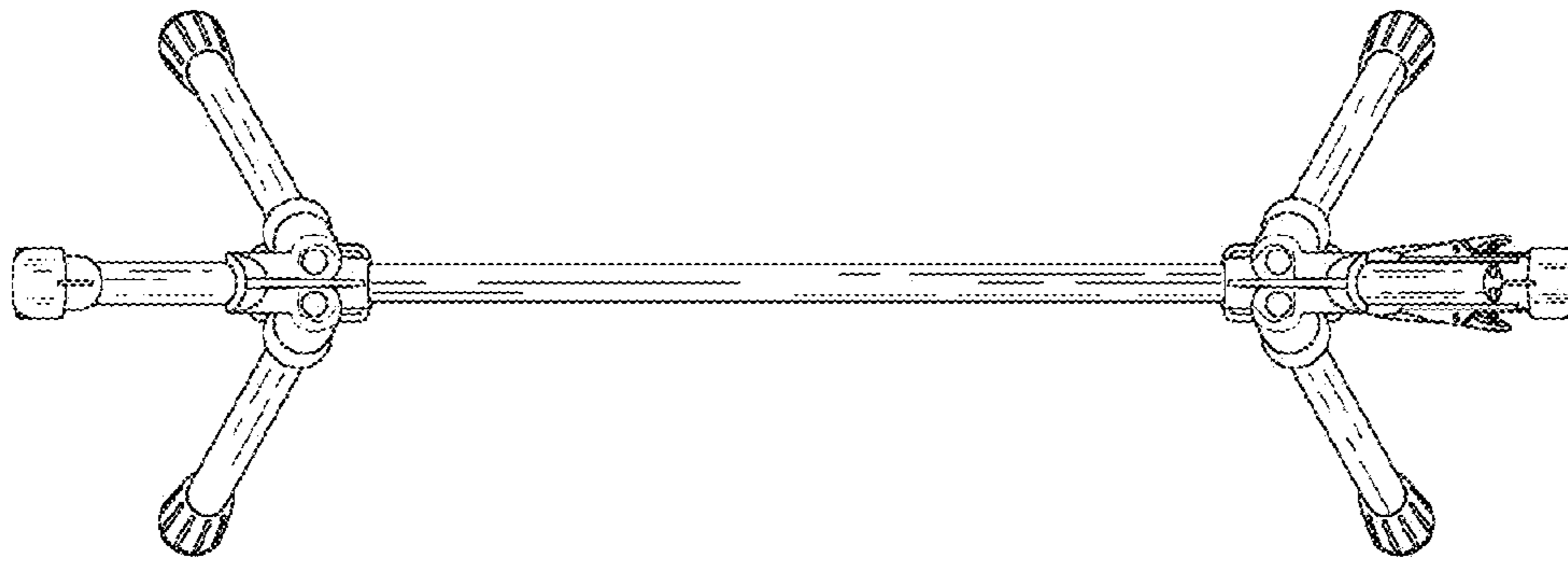


Fig. 7

