



US00D790893S

(12) **United States Design Patent**
Grossinger et al.

(10) **Patent No.:** **US D790,893 S**

(45) **Date of Patent:** **** Jul. 4, 2017**

(54) **TABLE**

(71) Applicant: **HOK Product Design, LLC**, Culver City, CA (US)

(72) Inventors: **Susan Grossinger**, Culver City, CA (US); **Brett Shwery**, Culver City, CA (US); **Javier Palomares**, Culver City, CA (US); **Junko Yamakawa**, Culver City, CA (US)

(73) Assignee: **HOK Product Design, LLC**, Culver City, CA (US)

(*) Notice: This patent is subject to a terminal disclaimer.

(**) Term: **15 Years**

(21) Appl. No.: **29/545,112**

(22) Filed: **Nov. 10, 2015**

(30) **Foreign Application Priority Data**

May 11, 2015 (JP) 2015-010155
May 11, 2015 (JP) 2015-010156

(51) **LOC (10) Cl.** **06-04**

(52) **U.S. Cl.**
USPC **D6/691**

(58) **Field of Classification Search**
USPC ... D6/691, 335, 340, 363, 712, 688.14, 675,
D6/692, 707.2, 707.193; 108/155, 109
(Continued)

(56) **References Cited**

U.S. PATENT DOCUMENTS

D386,328 S * 11/1997 Good D6/691.7
D398,453 S * 9/1998 Stead D6/349
(Continued)

Primary Examiner — Robin V Webster

Assistant Examiner — James Thorn, Sr.

(74) *Attorney, Agent, or Firm* — Sughrue Mion, PLLC

(57) **CLAIM**

The ornamental design for a table, as shown and described.

DESCRIPTION

FIG. 1 is a perspective view of a first embodiment of a table. FIG. 2 is a front elevation view thereof. A rear elevation view is identical to the front elevation view.

FIG. 3 is a right side elevation view thereof. A left side elevation view is identical to the right side elevation view.

FIG. 4 is a top plan view thereof.

FIG. 5 is a bottom plan view thereof.

FIG. 6 is an enlarged cross-sectional view taken along the line 6-6 in FIG. 2.

FIG. 7 is an enlarged cross-sectional view taken along the line 7-7 in FIG. 2.

FIG. 8 is an enlarged cross-sectional view taken along the line 8-8 in FIG. 3.

FIG. 9 is an enlarged cross-sectional view taken along the line 9-9 in FIG. 3.

FIG. 10 is a perspective view of a second embodiment of a table.

FIG. 11 is a front elevation view thereof. A rear elevation view is identical to the front elevation view.

FIG. 12 is a right side elevation view thereof. A left side elevation view is identical to the right side elevation view.

FIG. 13 is a top plan view thereof.

FIG. 14 is a bottom plan view thereof.

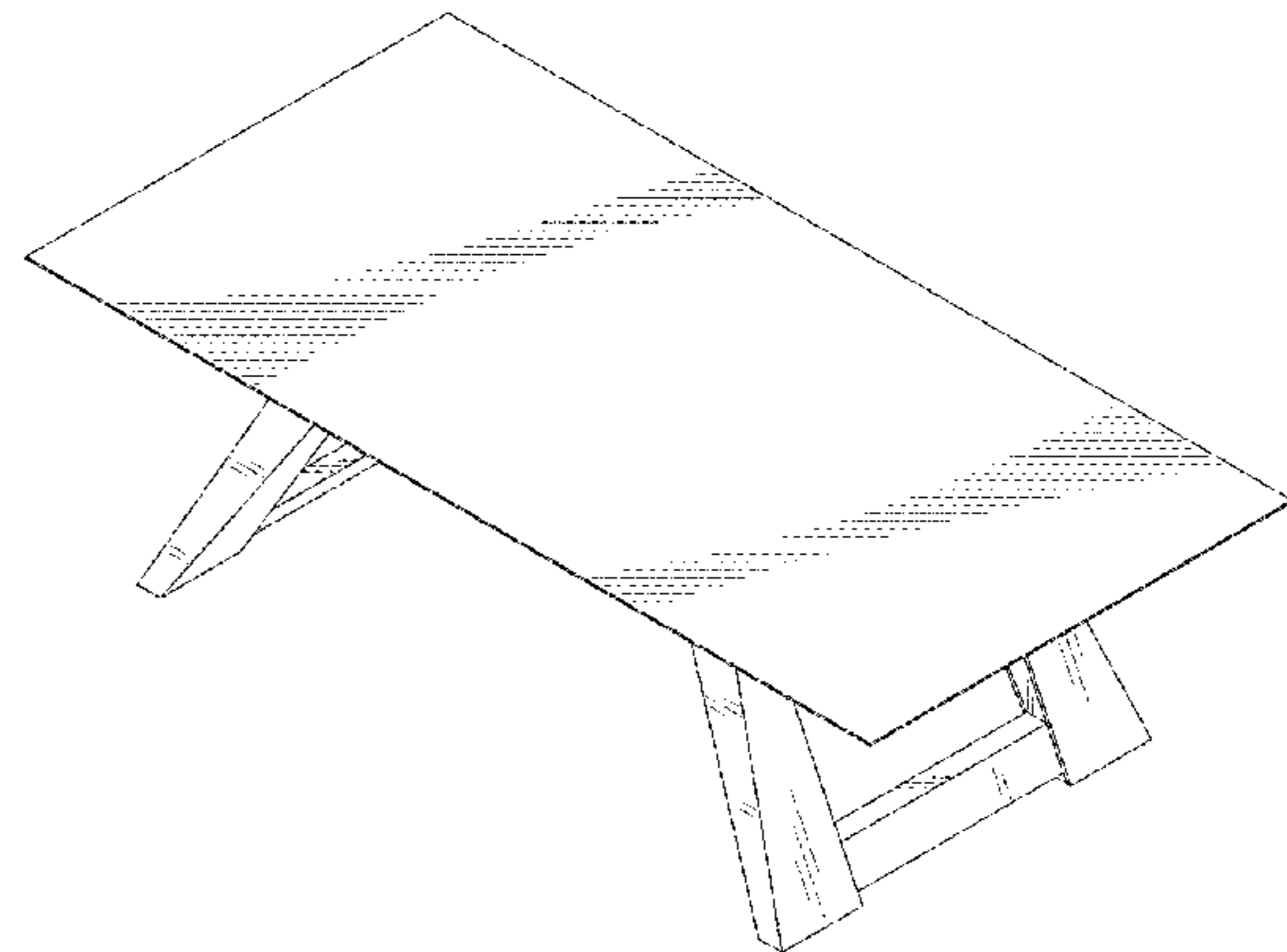
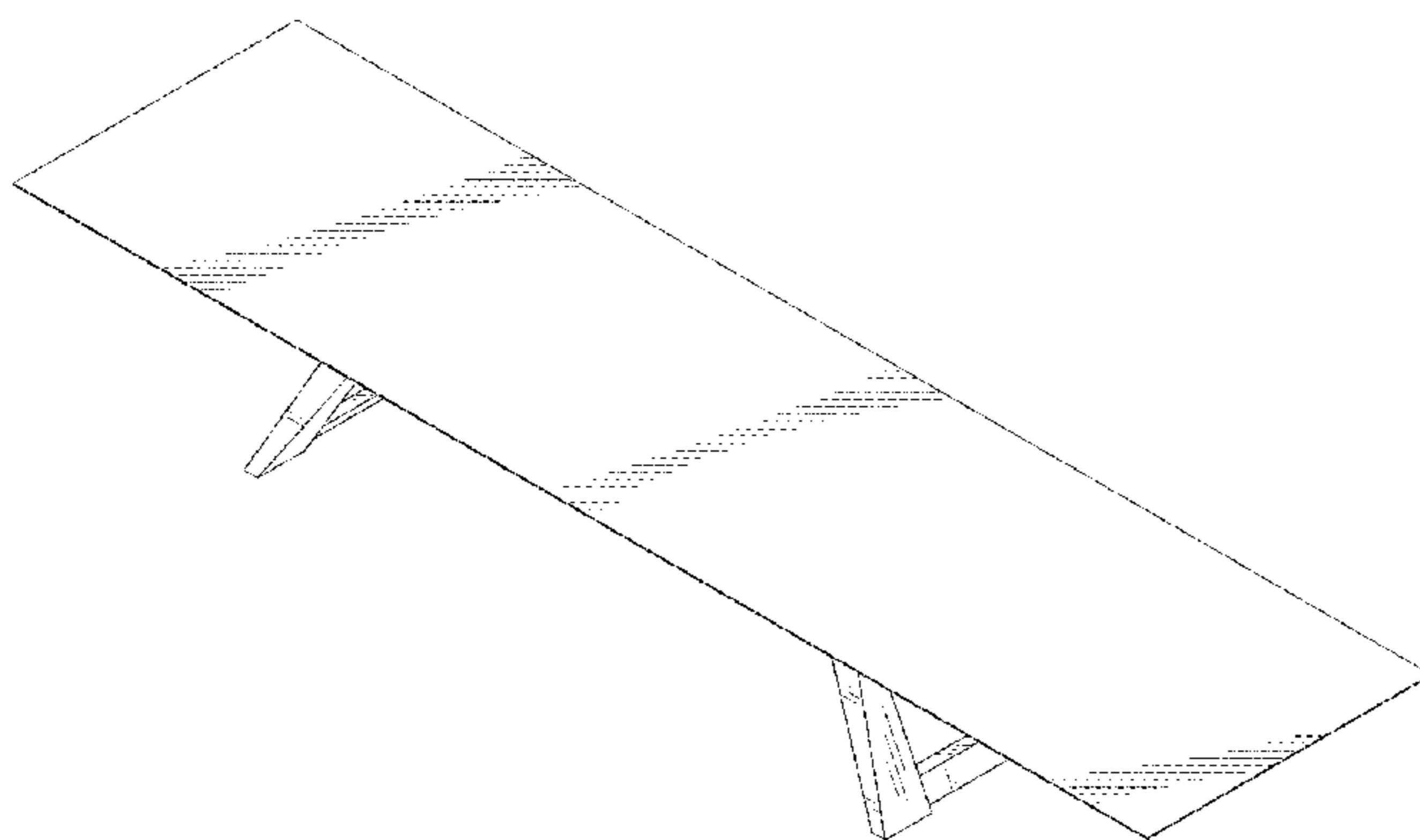
FIG. 15 is a cross-sectional view taken along the line 15-15 in FIG. 11.

FIG. 16 is a cross-sectional view taken along the line 16-16 in FIG. 11.

FIG. 17 is a cross-sectional view taken along the line 17-17 in FIG. 12; and,

FIG. 18 is a cross-sectional view taken along the line 18-18 in FIG. 12.

1 Claim, 18 Drawing Sheets



(58) **Field of Classification Search**

CPC A47B 3/00; A47B 3/002; A47B 13/02;
A47B 13/04; A47B 13/08; A47B 13/088;
A47B 91/00; A47B 91/005; A47B
2200/001; A47B 2200/11; A47C 1/14;
A47C 1/146; A47C 4/00; A47C 4/28;
A47C 11/02; A47C 11/00

See application file for complete search history.

(56) **References Cited**

U.S. PATENT DOCUMENTS

D403,898 S * 1/1999 Arnegger D6/691
D404,593 S * 1/1999 Oltmans D6/691
D415,371 S * 10/1999 Lewis D6/691
D588,380 S * 3/2009 Bucholz D6/691.5
D593,769 S * 6/2009 Jeup D6/656
D604,063 S * 11/2009 Oshinomi D6/656.16
D608,568 S * 1/2010 Manz D6/691.5
D708,461 S * 7/2014 Starck D6/691
D727,644 S * 4/2015 Sorel D6/349
D730,071 S * 5/2015 Sorel D6/349
D734,631 S * 7/2015 Velez D6/349
D765,450 S * 9/2016 Biddle D6/691

* cited by examiner

FIG. 1

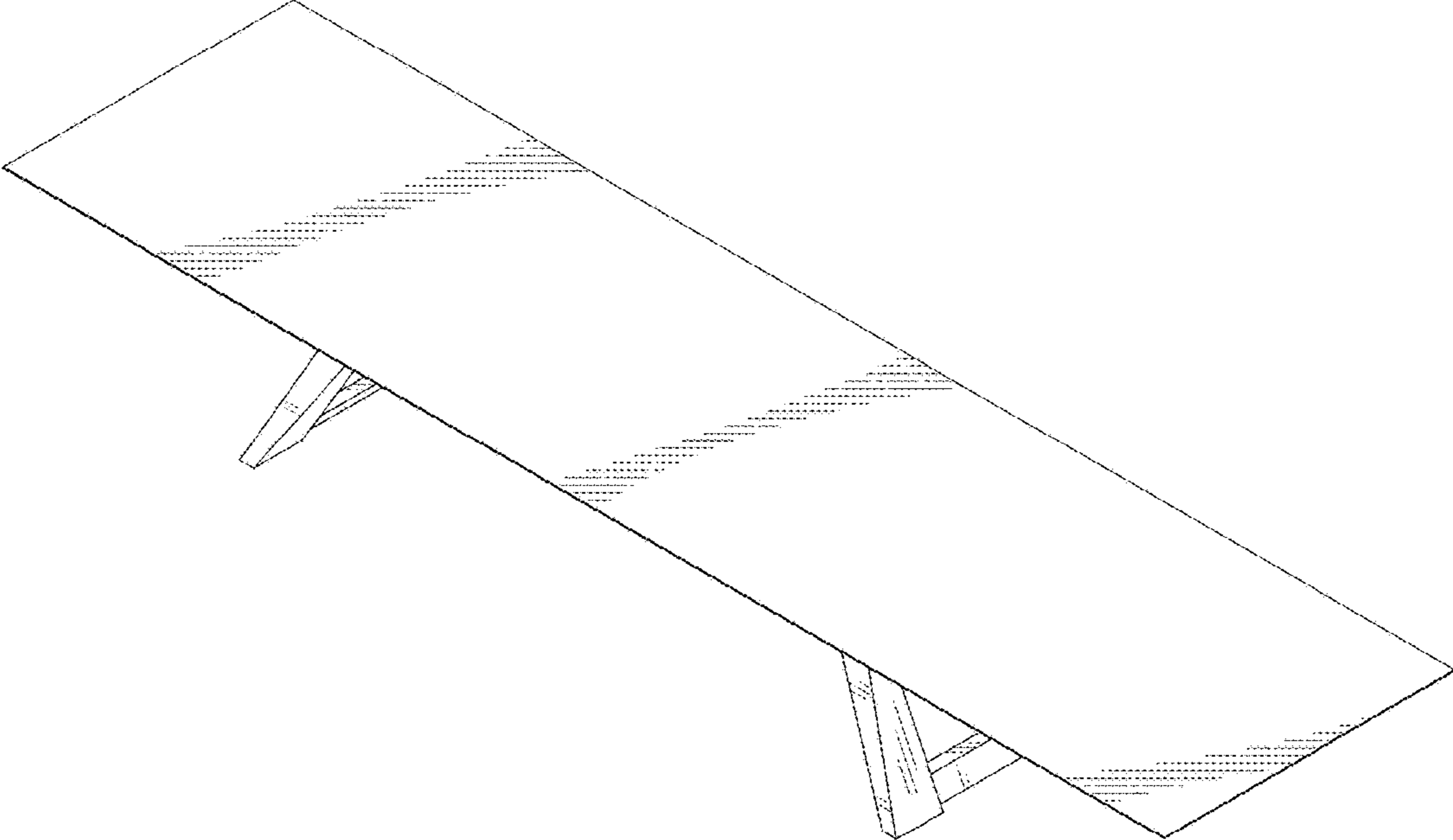


FIG. 2

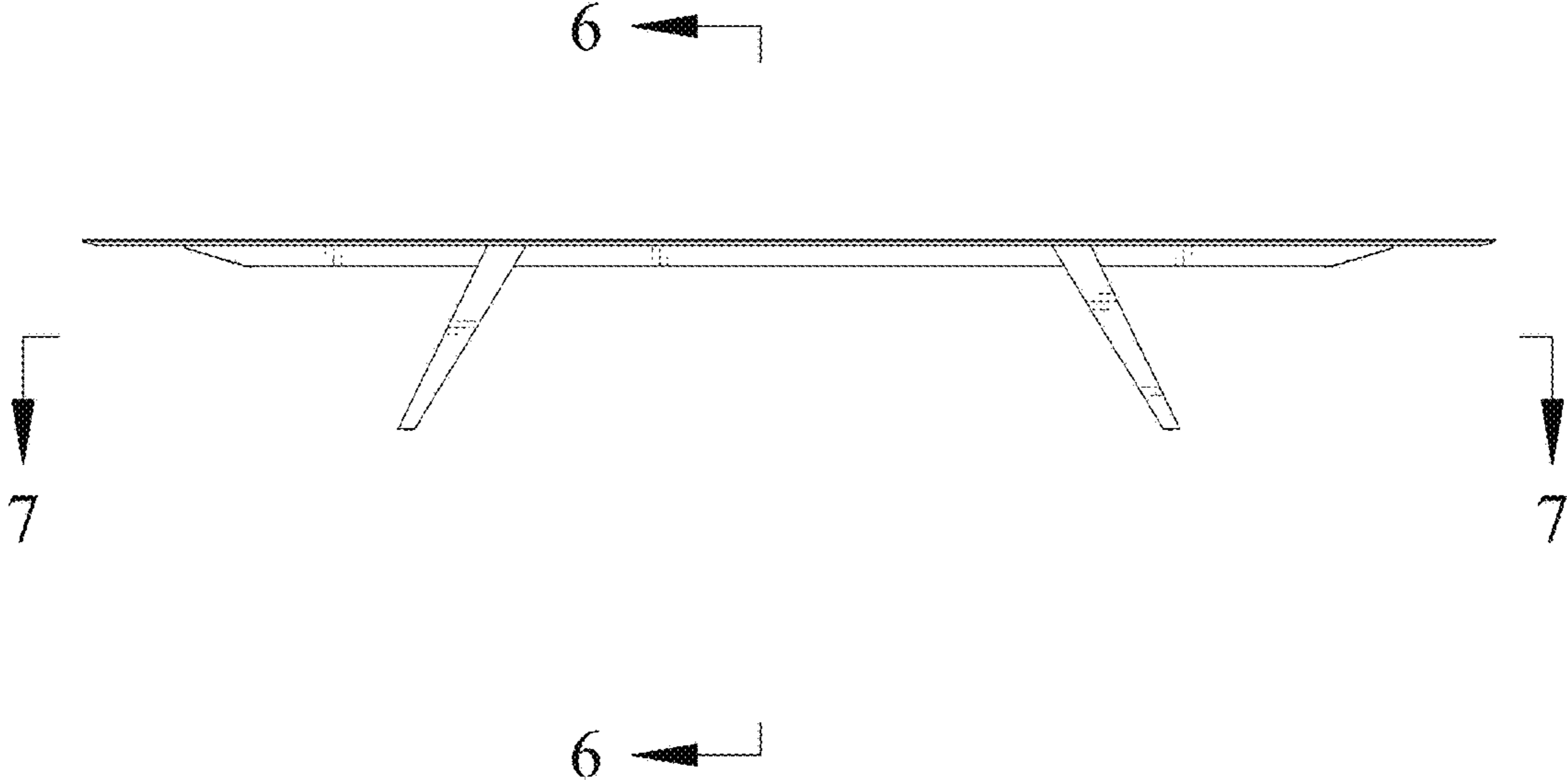


FIG. 3

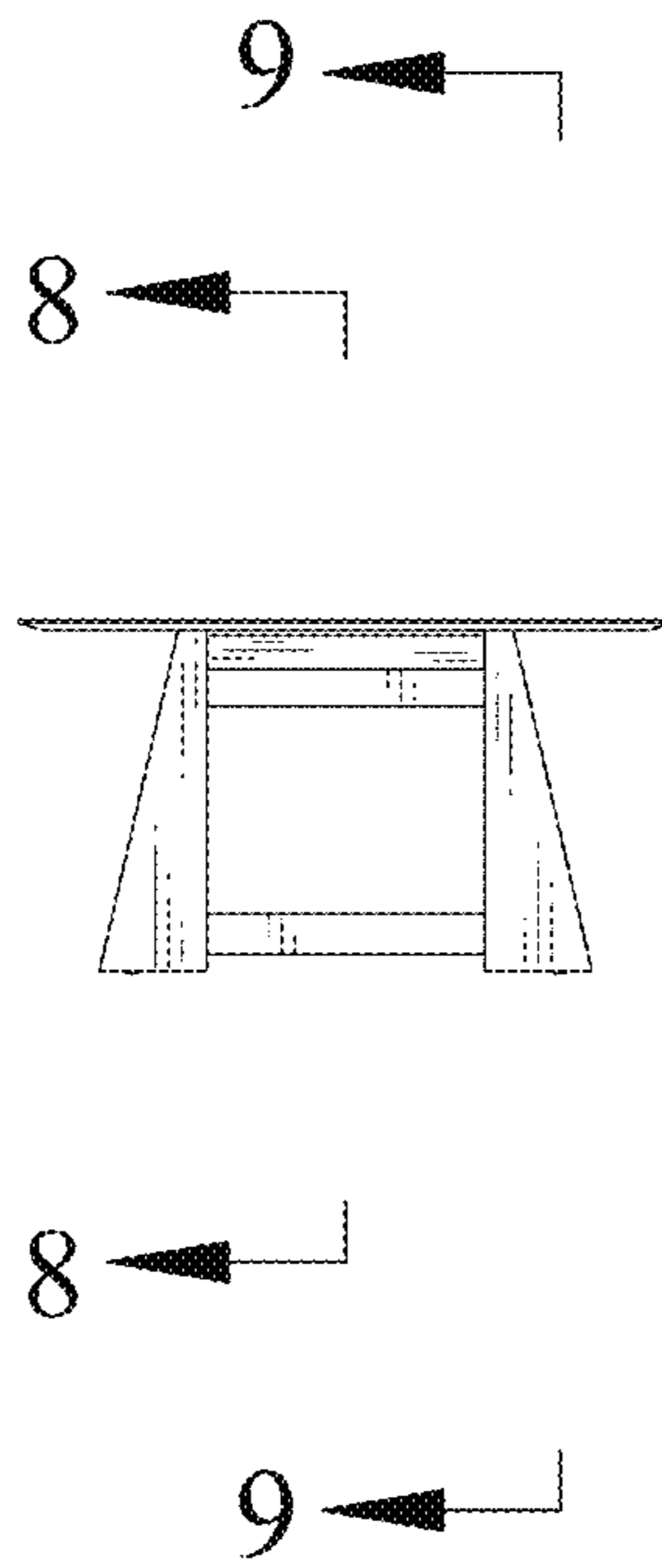


FIG. 4

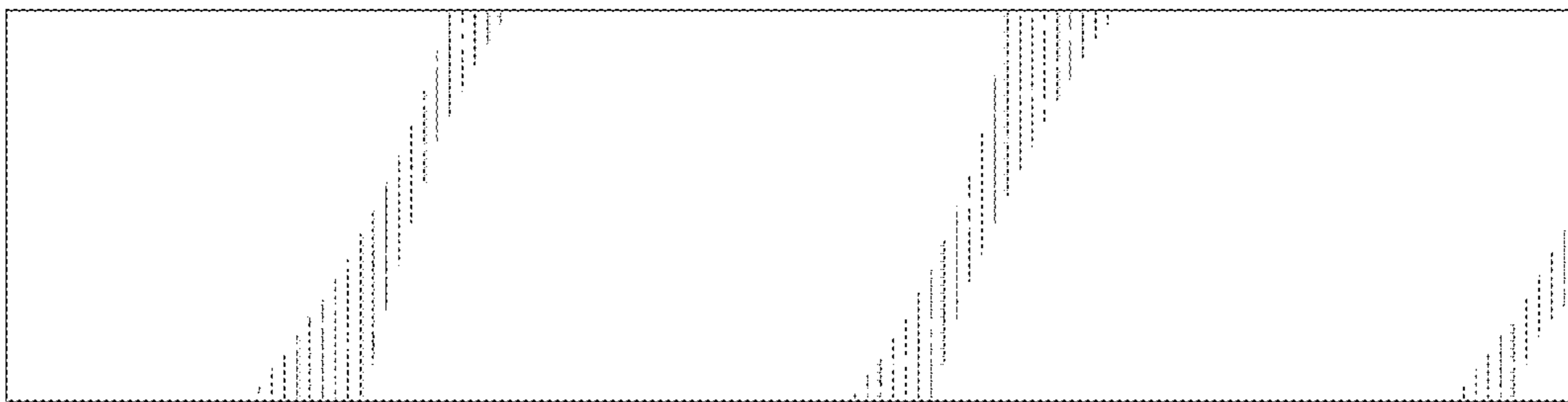


FIG. 5

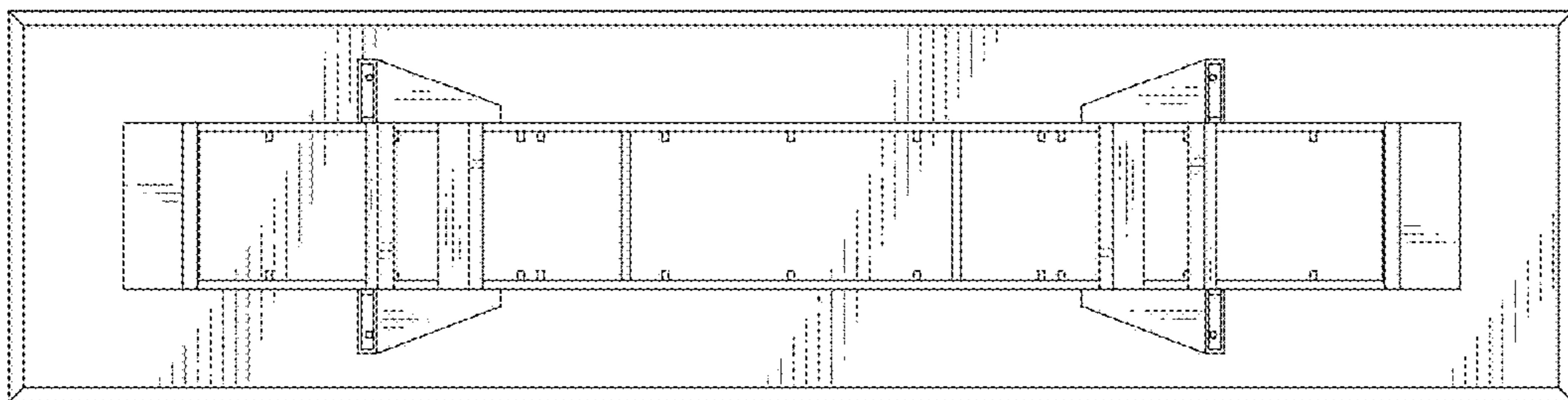


FIG. 6

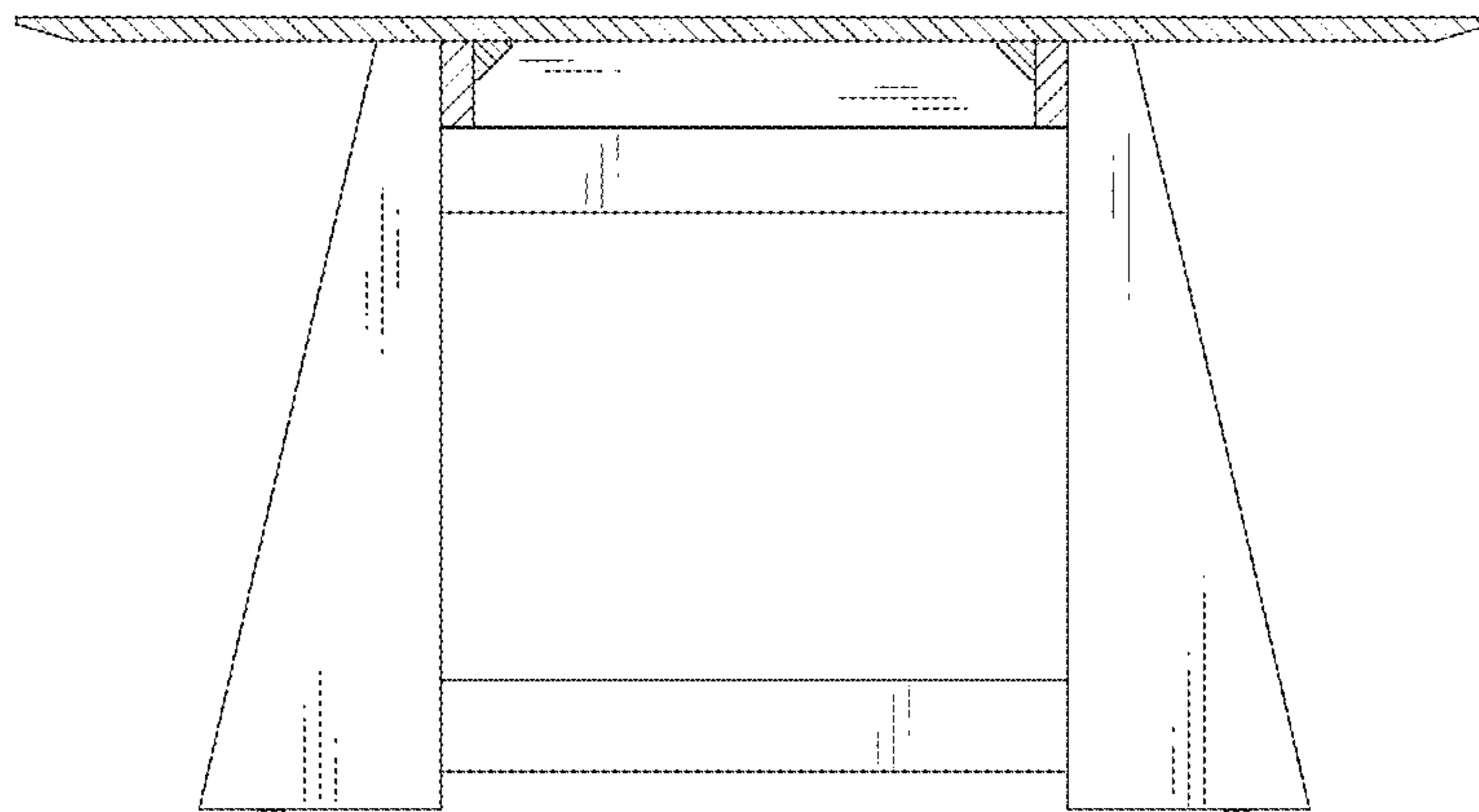


FIG. 7

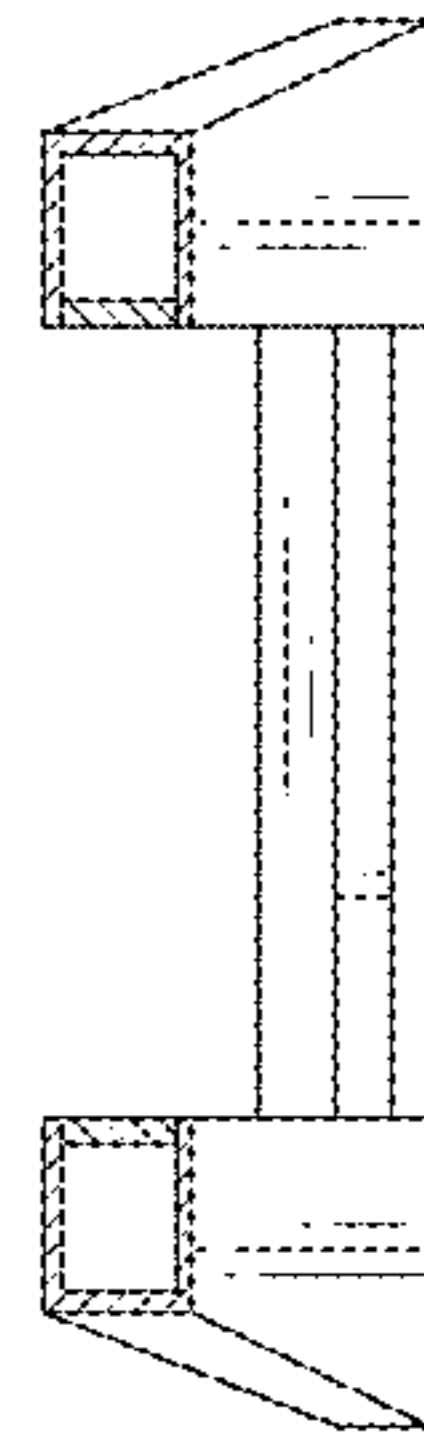
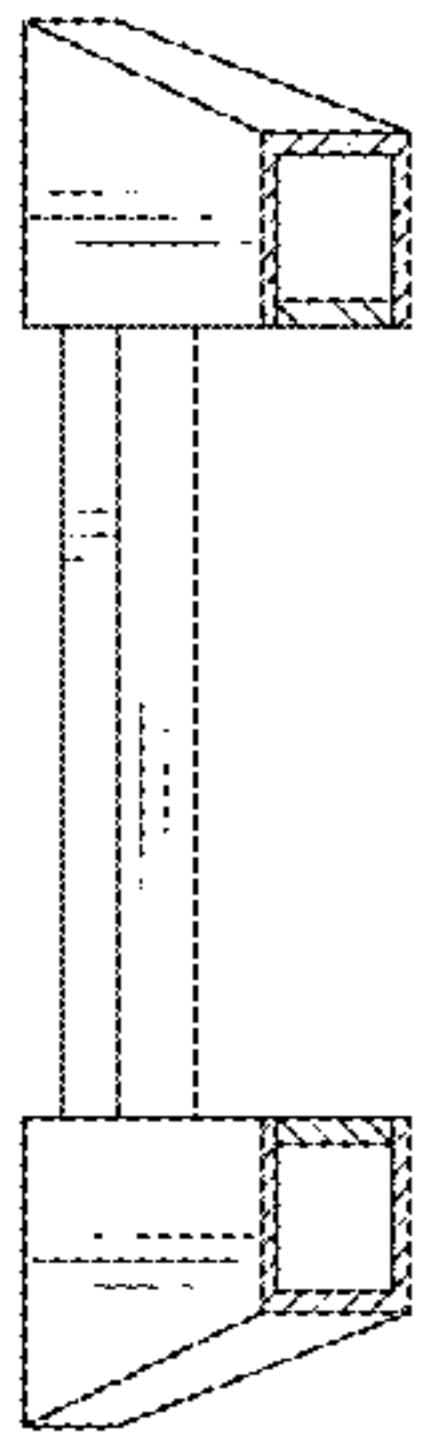


FIG. 8

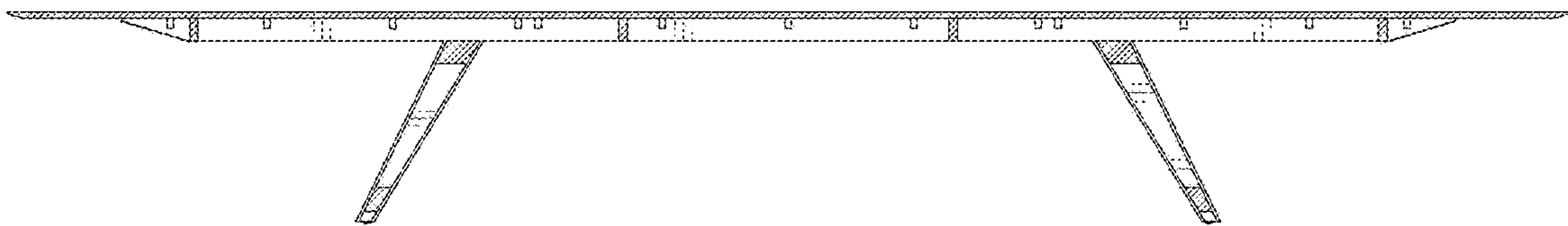


FIG. 9

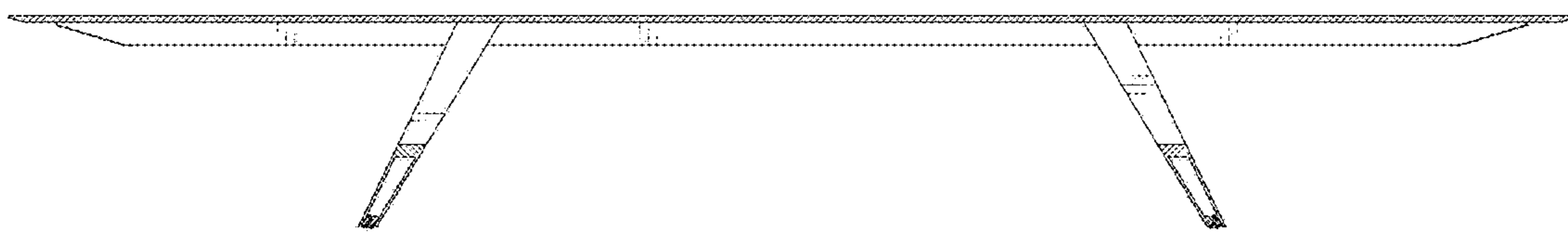


FIG. 10

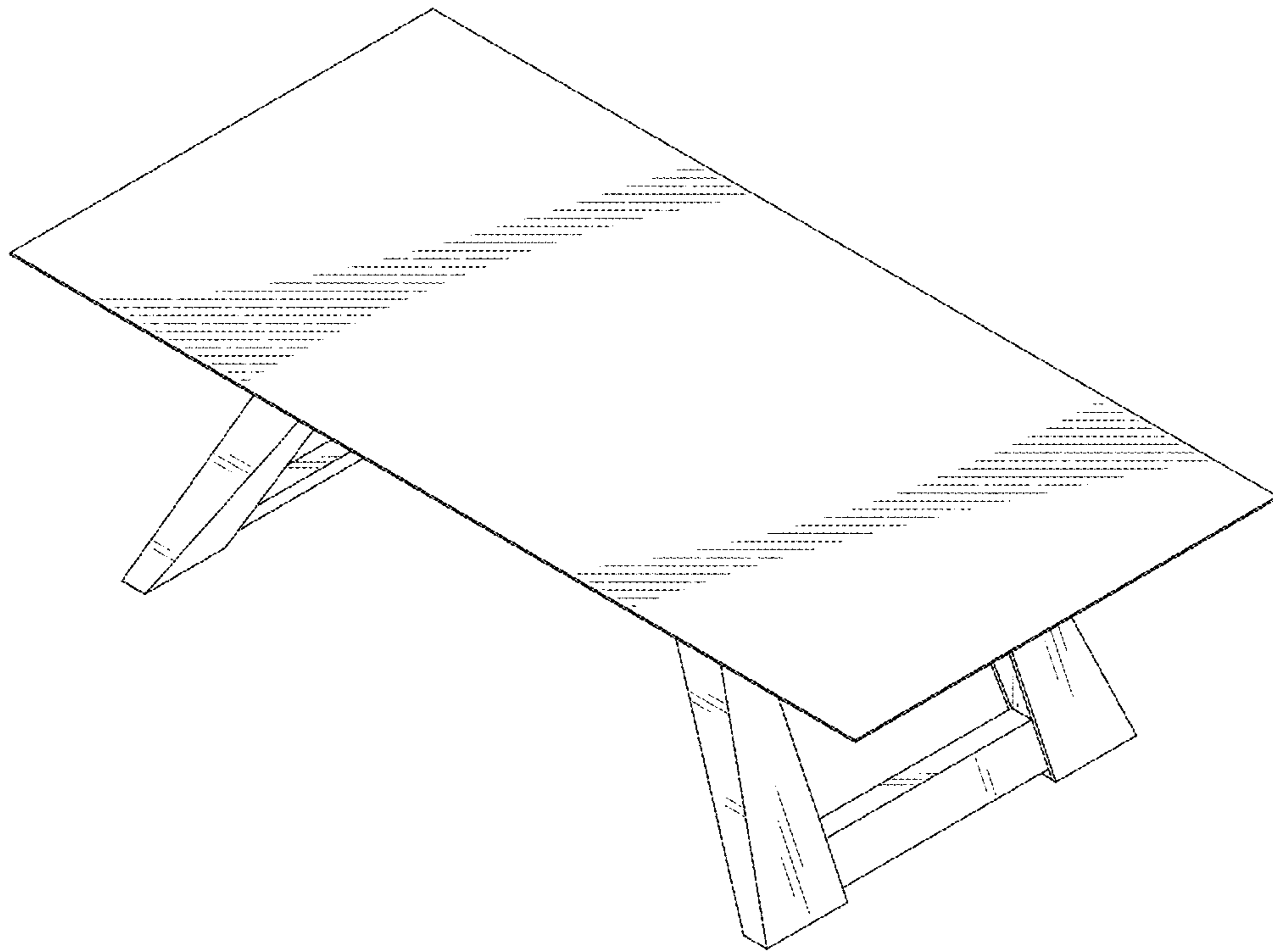


FIG. 11

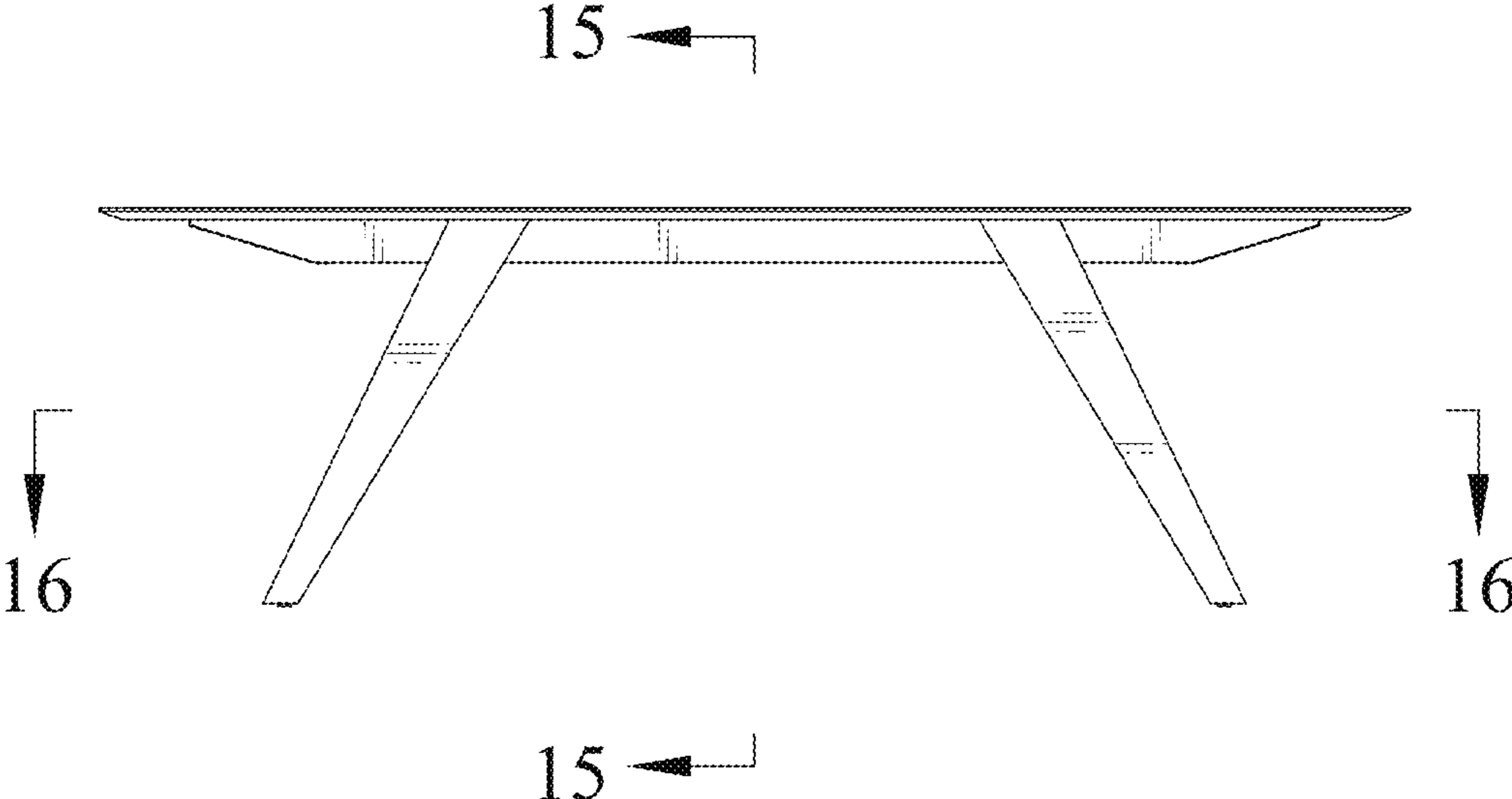


FIG. 12

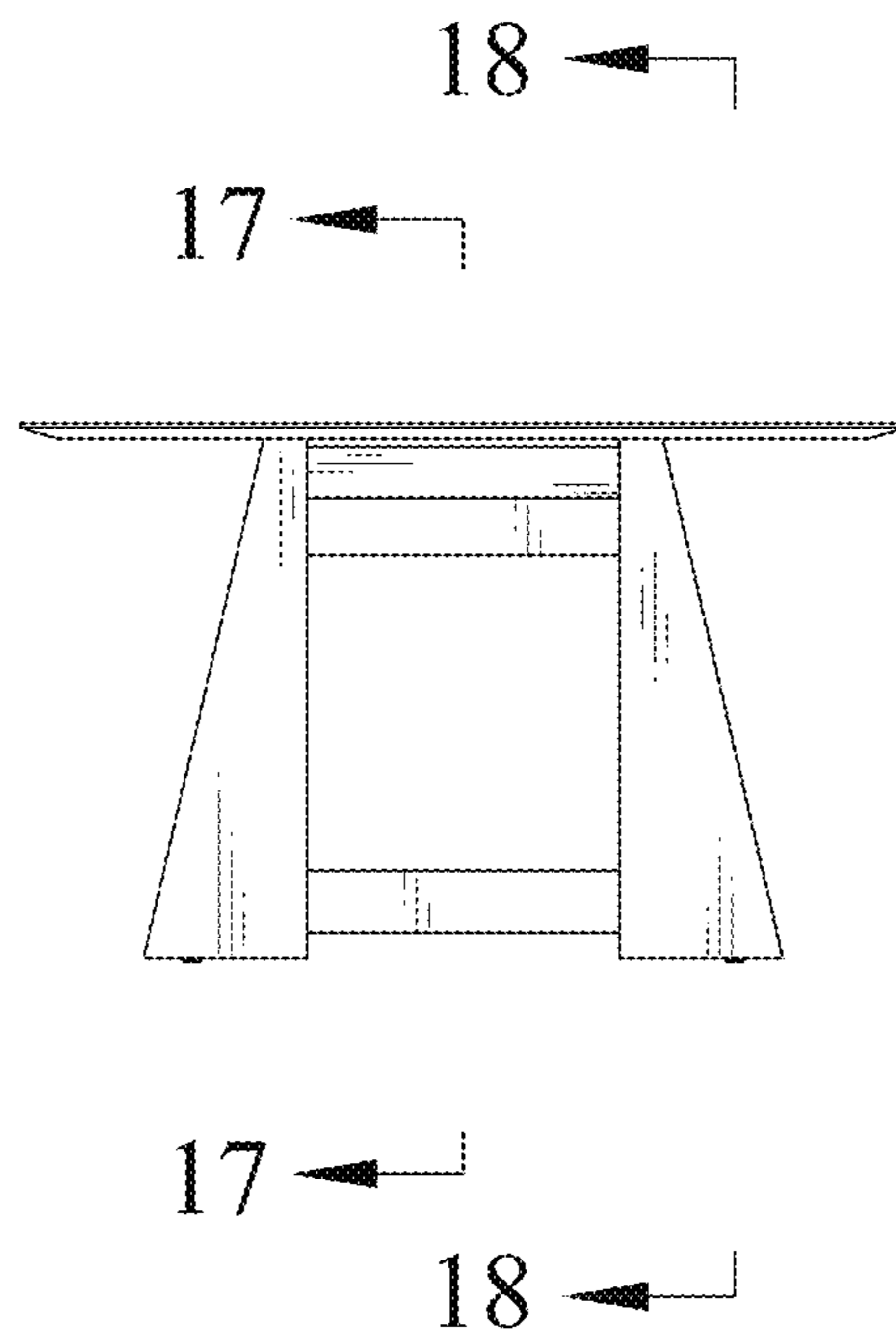


FIG. 13

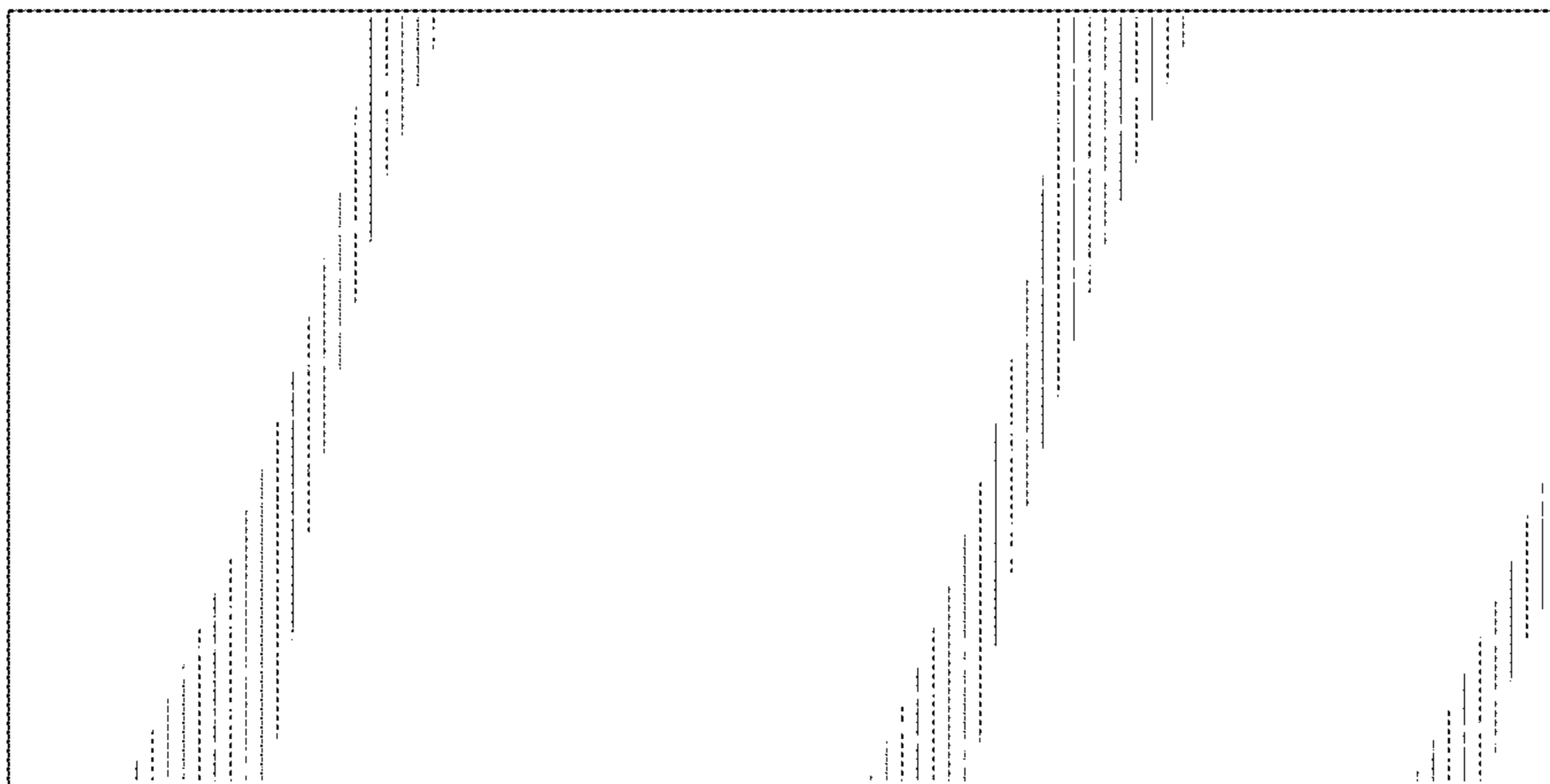


FIG. 14

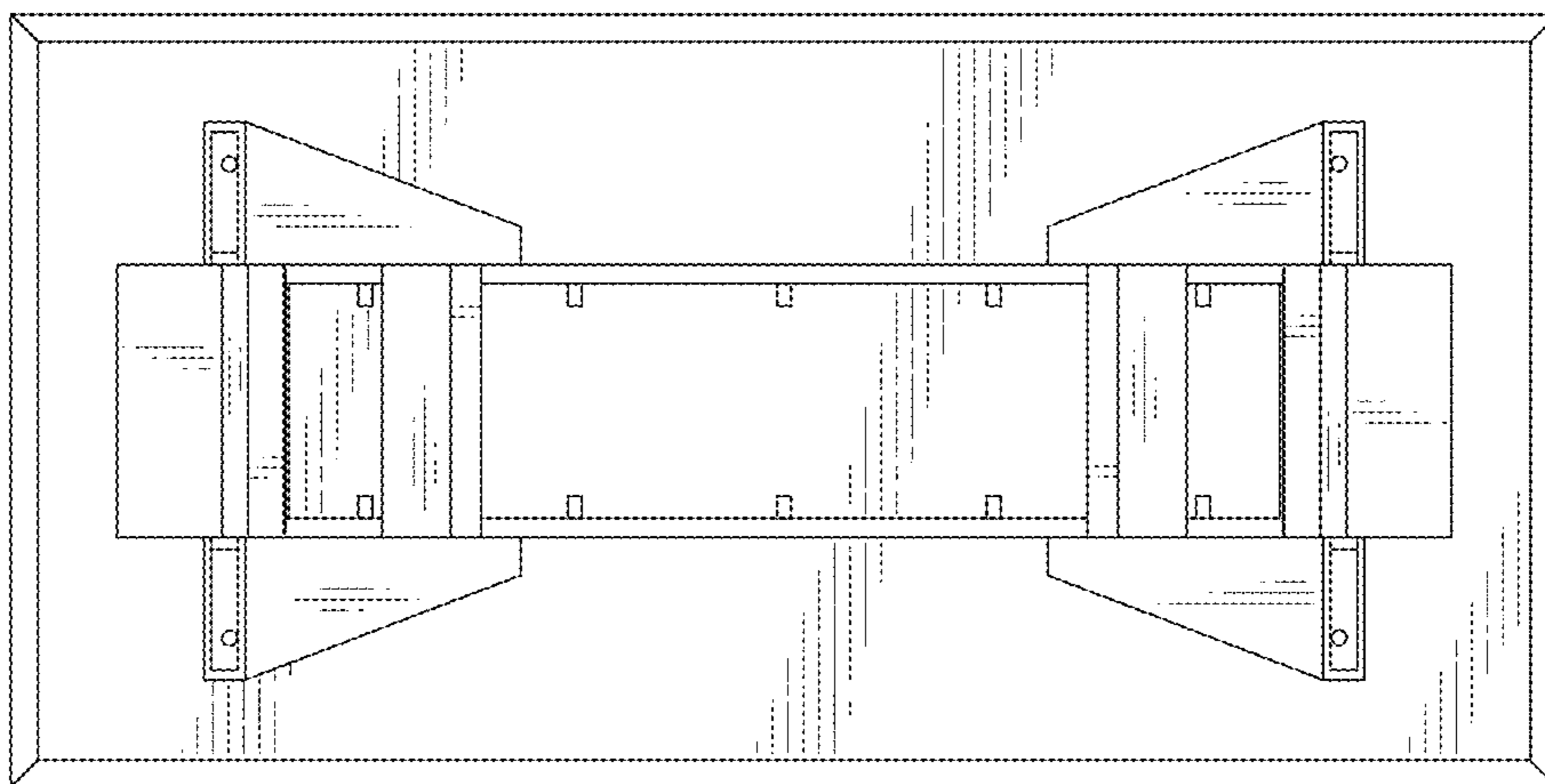


FIG. 15

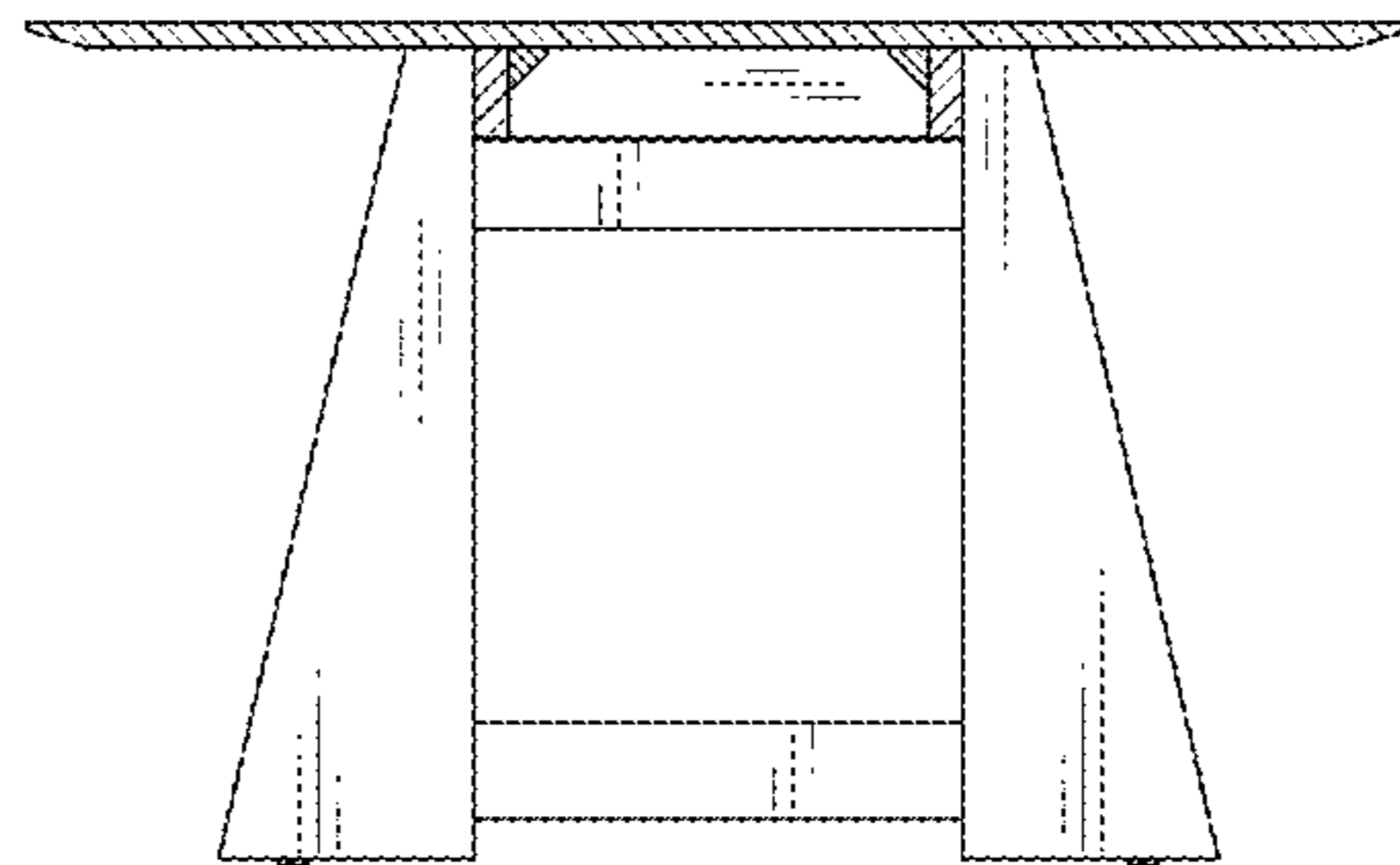


FIG. 16

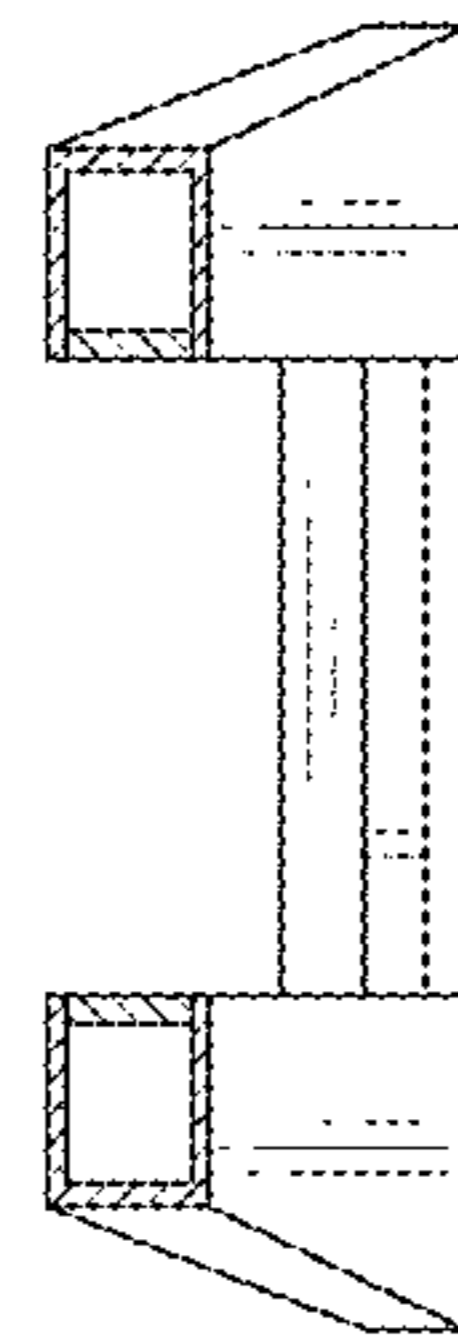
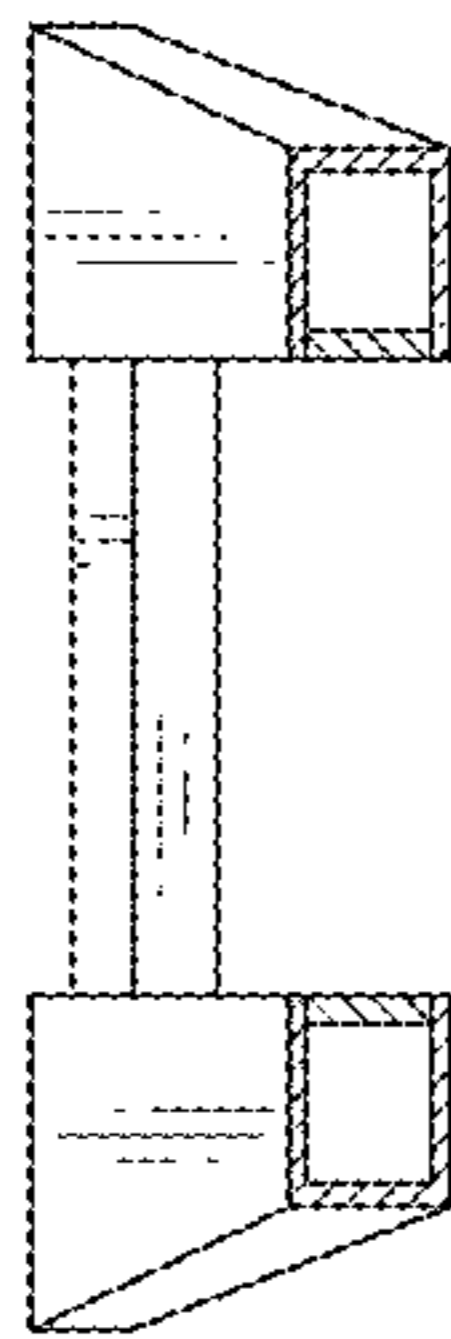


FIG. 17

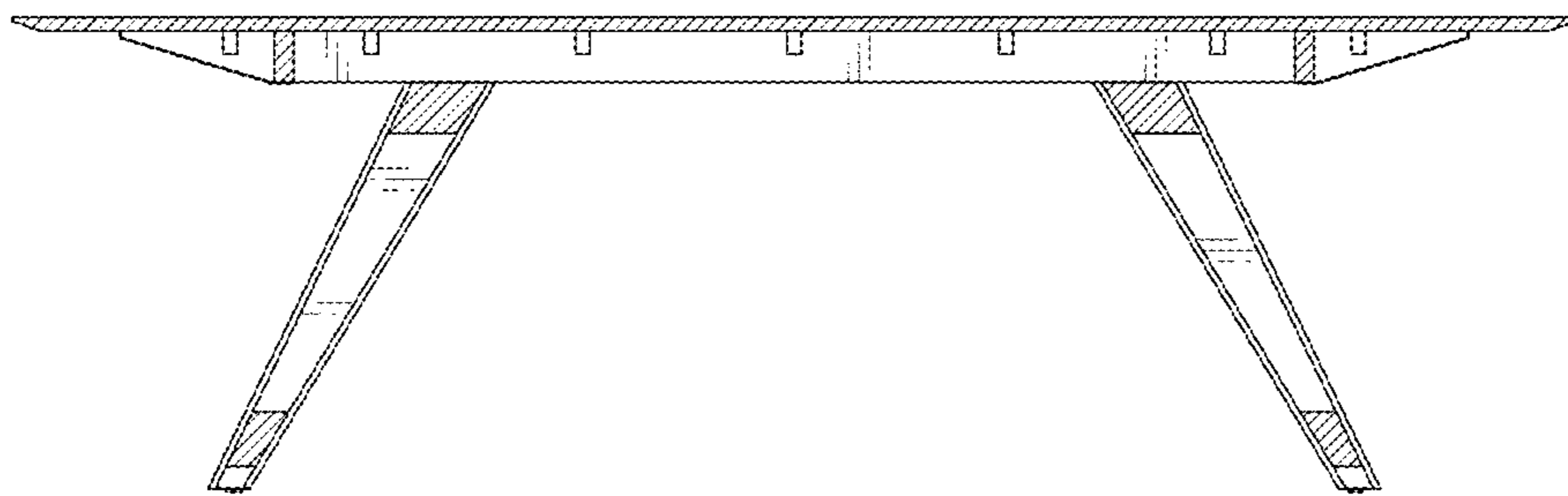


FIG. 18

