

US00D790891S

(12) **United States Design Patent** (10) **Patent No.:** **US D790,891 S**
Feinstein et al. (45) **Date of Patent:** **** Jul. 4, 2017**

- (54) **MODULAR BLOCK**
- (71) Applicant: **Eureka Exhibits LLC**, Greer, SC (US)
- (72) Inventors: **Keith Feinstein**, Stirling, NJ (US);
Mark Kirby, Greer, SC (US)
- (73) Assignee: **Eureka Exhibits LLC**, Greer, SC (US)
- (**) Term: **15 Years**
- (21) Appl. No.: **29/537,111**
- (22) Filed: **Aug. 21, 2015**

4,926,294	A	*	5/1990	Beaulieu	A47F 11/10	248/240.4
D331,077	S	*	11/1992	Foster	D20/10	
D359,988	S	*	7/1995	Lechleiter	D20/10	
D360,230	S	*	7/1995	Lechleiter	D20/10	
D373,641	S	*	9/1996	Lee	D20/10	
D435,597	S	*	12/2000	Febish	D20/10	
D453,224	S	*	1/2002	Sender	D25/16	
D476,507	S	*	7/2003	Holmes	D25/16	
D562,588	S	*	2/2008	Bays	D6/672	
D584,076	S	*	1/2009	Stengel	D6/672	
D603,180	S	*	11/2009	Urdarevik	D19/62	
D641,569	S	*	7/2011	Feldman	D6/672	
D657,589	S	*	4/2012	Watson	D6/678.4	

(Continued)

Related U.S. Application Data

- (63) Continuation of application No. 14/578,462, filed on Dec. 21, 2014, now Pat. No. 9,198,306.
- (51) **LOC (10) Cl.** **06-04**
- (52) **U.S. Cl.**
USPC **D6/672**
- (58) **Field of Classification Search**
USPC D6/332, 657, 672, 682; D19/62;
D20/10, 19, 20, 29, 39, 41, 42; D25/32,
D25/113; 40/1, 124, 584, 585, 605, 608,
40/618, 624; 160/135, 351; 211/135;
463/25
CPC .. H05K 5/0017; H05K 5/0204; H05K 5/0247;
A47B 81/06; A47B 47/0091; A47F 3/004;
A47F 3/06; A47F 10/02
See application file for complete search history.

(56) **References Cited**

U.S. PATENT DOCUMENTS

D115,561	S	*	7/1939	Lee	D20/10	
D147,823	S	*	11/1947	Taylor	40/584	
3,755,944	A	*	9/1973	Kaulfuss	G09F 13/04	362/812
4,030,219	A	*	6/1977	Donovan	G09F 19/18	160/135

OTHER PUBLICATIONS

<http://spacecenter.org/wp-content/uploads/2015/07/BeTheAstro1.jpg> Available Jul. 2015.*

Primary Examiner — Susan Bennett Hattan
Assistant Examiner — Leanne Was-Englehart

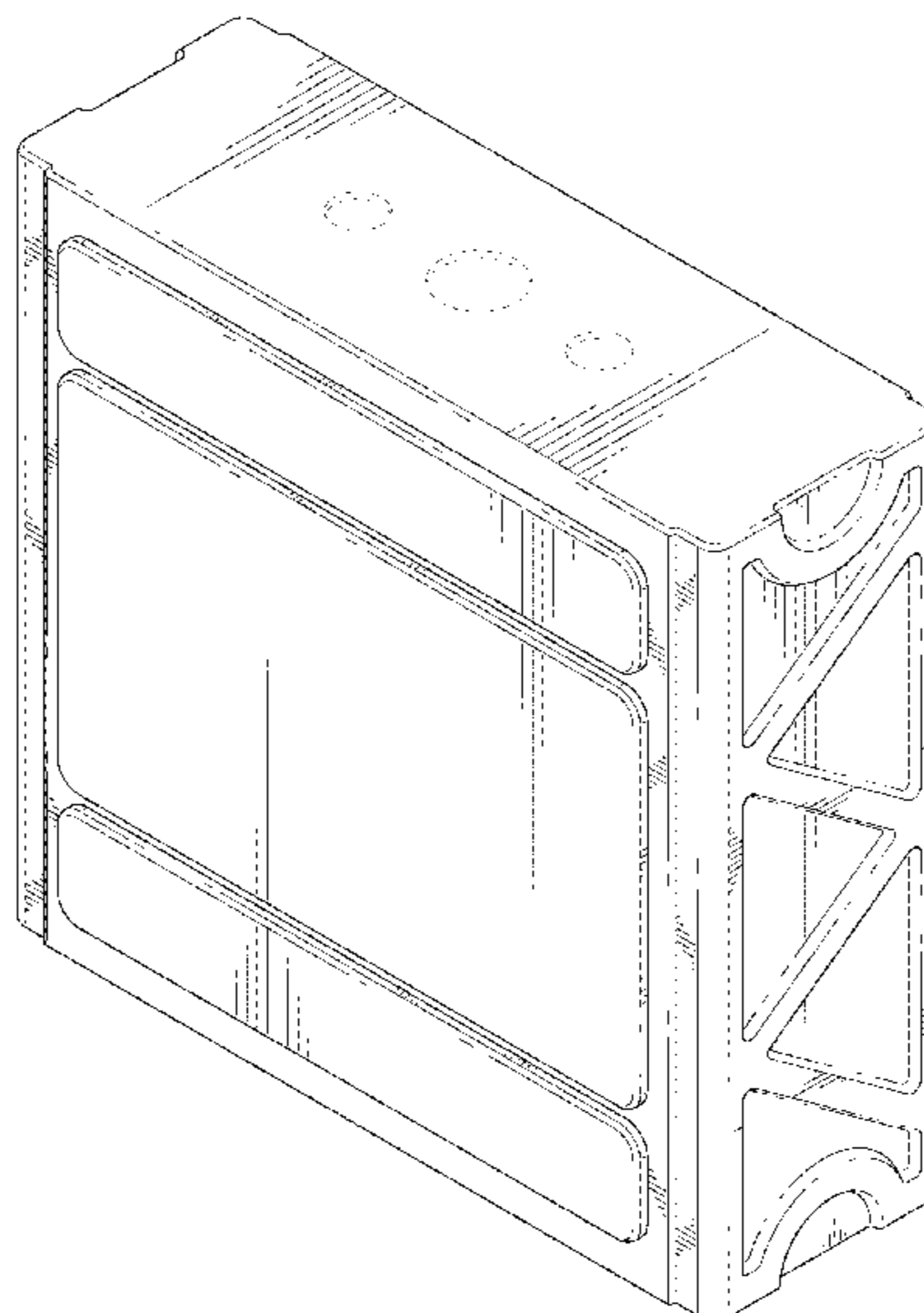
(57) **CLAIM**

The ornamental design for modular block, as shown and described.

DESCRIPTION

FIG. 1. Is a first perspective view of a modular block showing the new design;
FIG. 2 is a front elevation view thereof;
FIG. 3 is a back elevation view thereof;
FIG. 4 is a left side elevation view thereof;
FIG. 5 is a right side elevation view thereof;
FIG. 6 is a top plan view thereof; and,
FIG. 7 is a bottom plan view thereof.
The long broken lines in FIGS. 1-7 depict shading and form no part of the claimed invention. The small broken lines in FIGS. 1-7 illustrate portions of the modular block that form no part of the claimed design.

1 Claim, 5 Drawing Sheets



(56)

References Cited

U.S. PATENT DOCUMENTS

8,348,757 B2 * 1/2013 Kim G07F 17/3209
463/16
D720,557 S * 1/2015 Lehmann D6/657
D741,626 S * 10/2015 Tapias D6/672
9,198,306 B1 * 11/2015 Feinstein A47F 3/00
D758,105 S * 6/2016 Taraczky D6/672
D763,466 S * 8/2016 Alonso D25/113
2004/0209675 A1 * 10/2004 Yaegashi G07F 1/02
463/25
2005/0204598 A1 * 9/2005 Labeledz G09F 7/02
40/585
2010/0056258 A1 * 3/2010 Hara G07F 17/3297
463/25

* cited by examiner

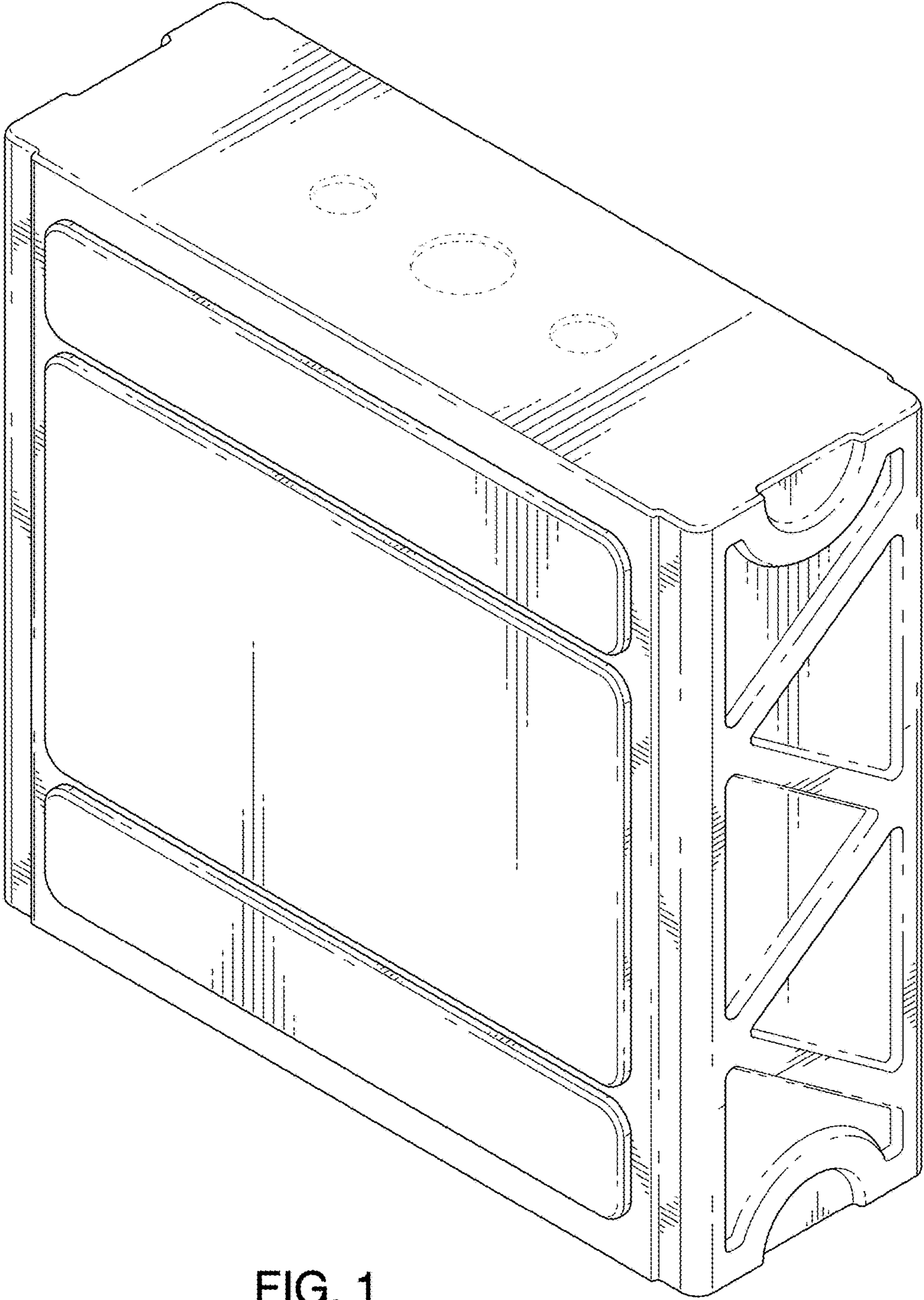


FIG. 1

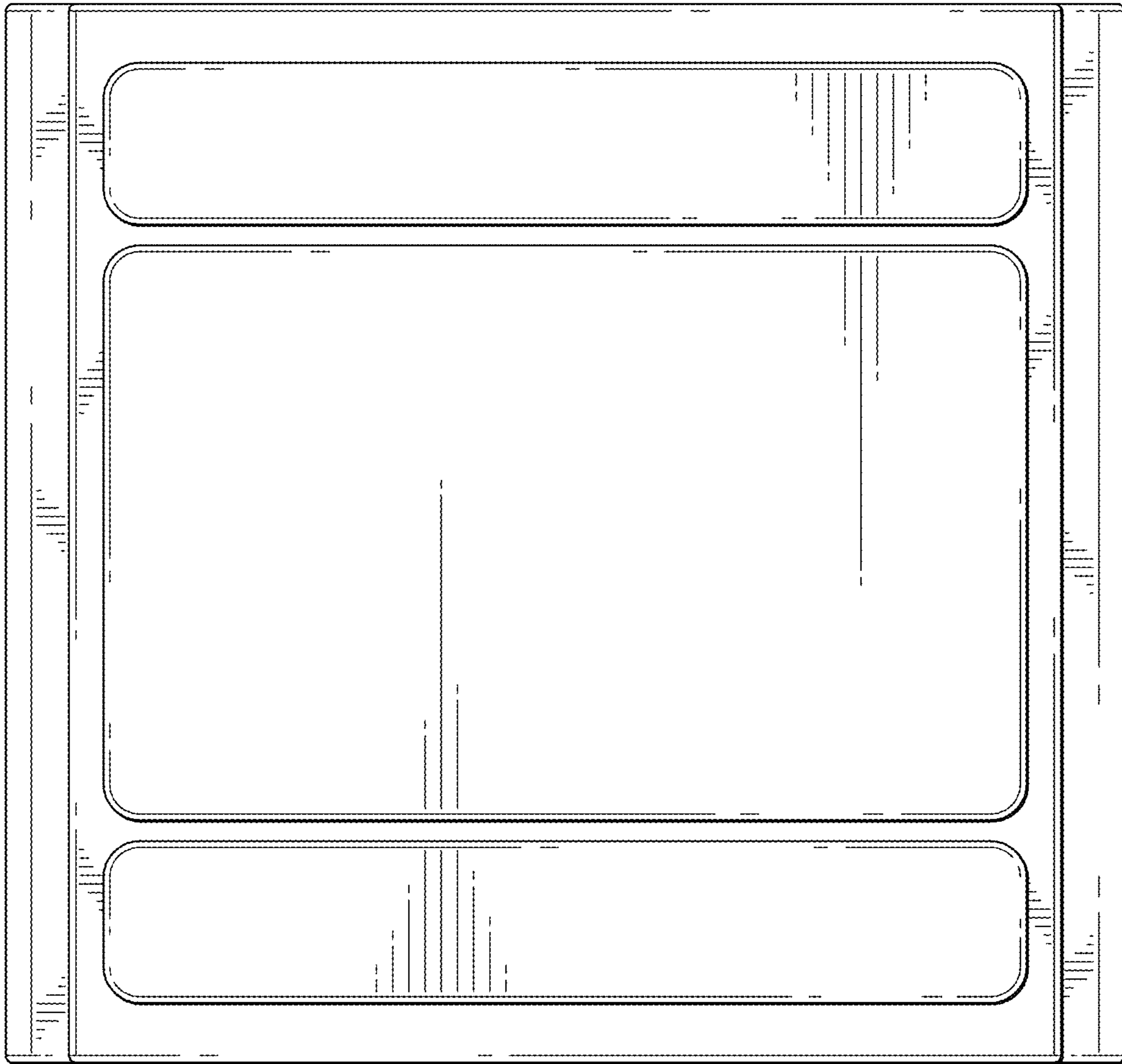


FIG. 2

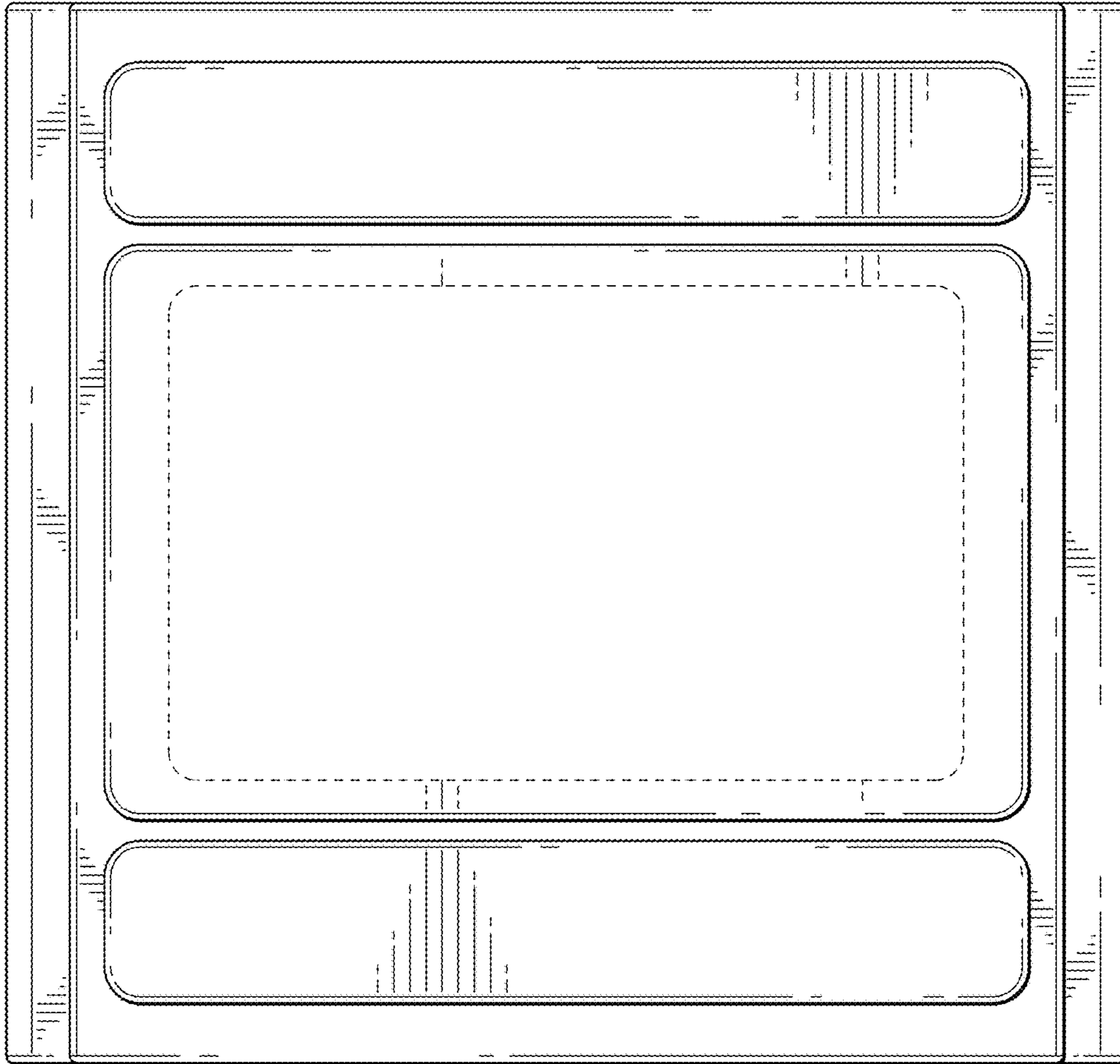


FIG. 3

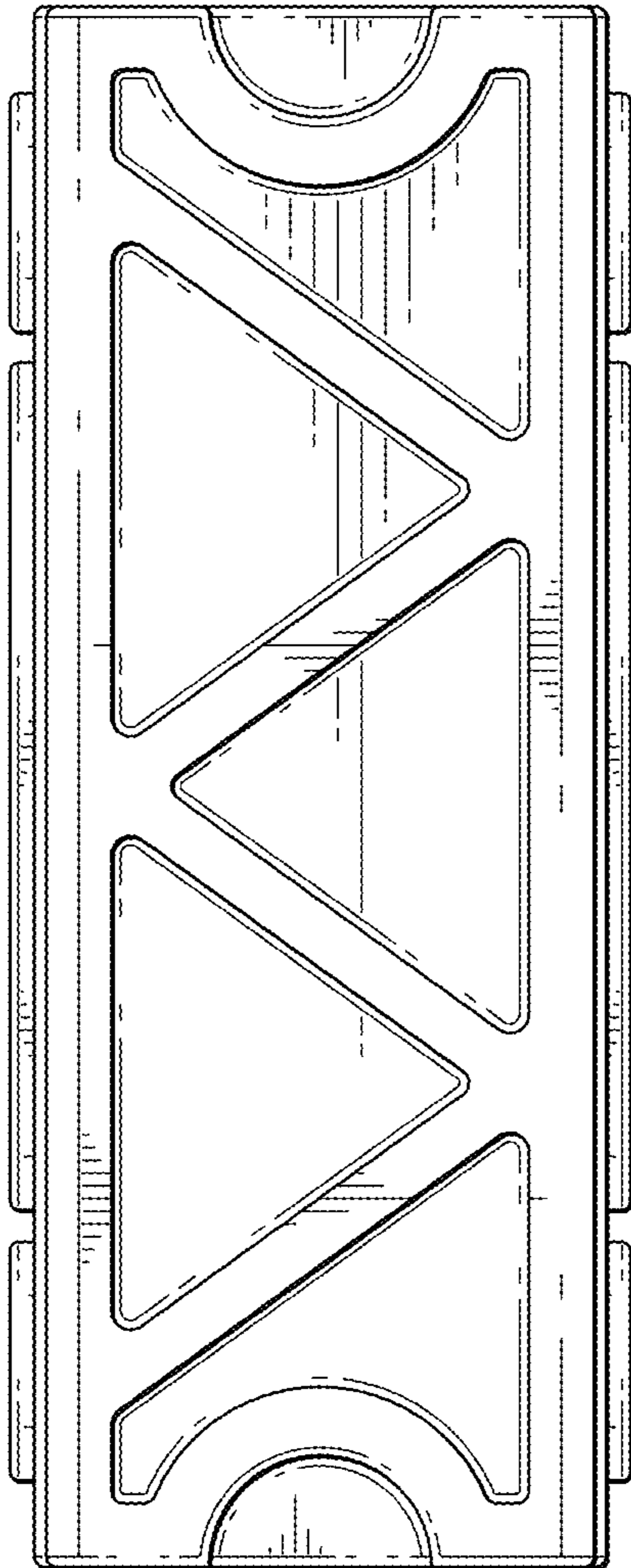


FIG. 4

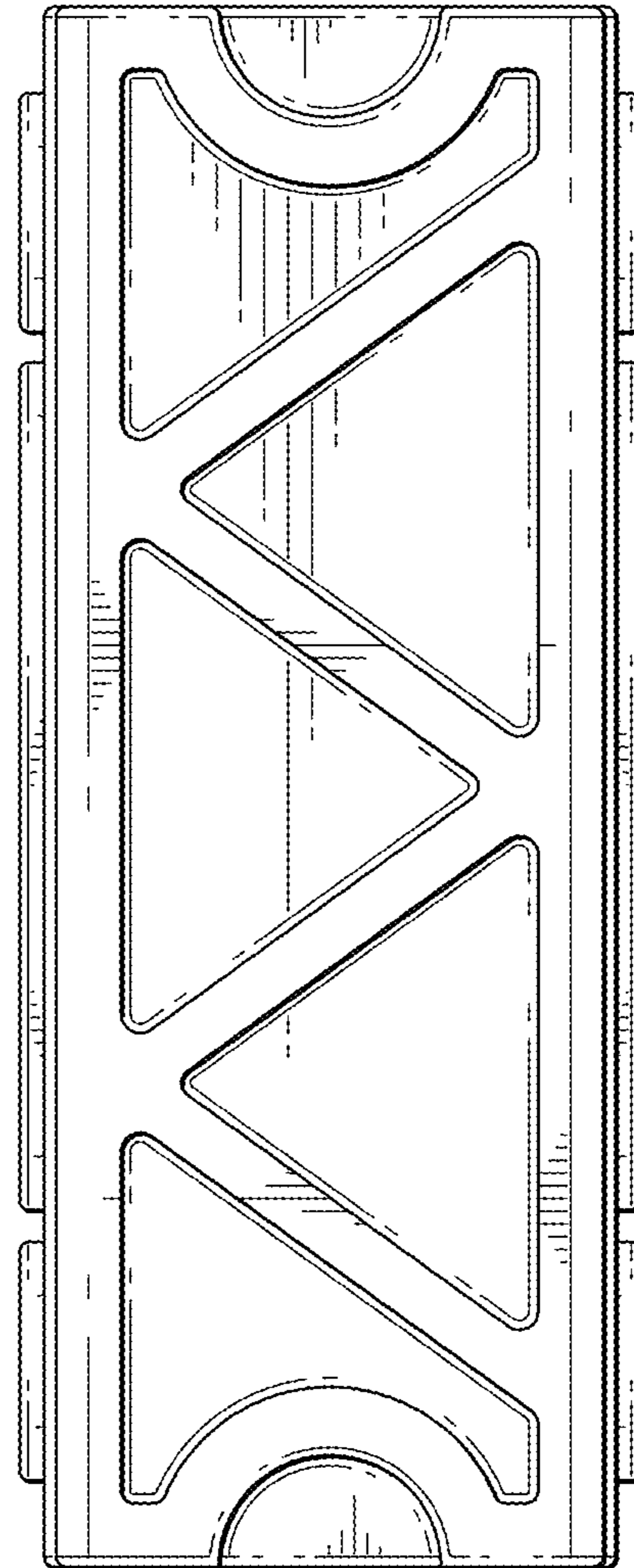


FIG. 5

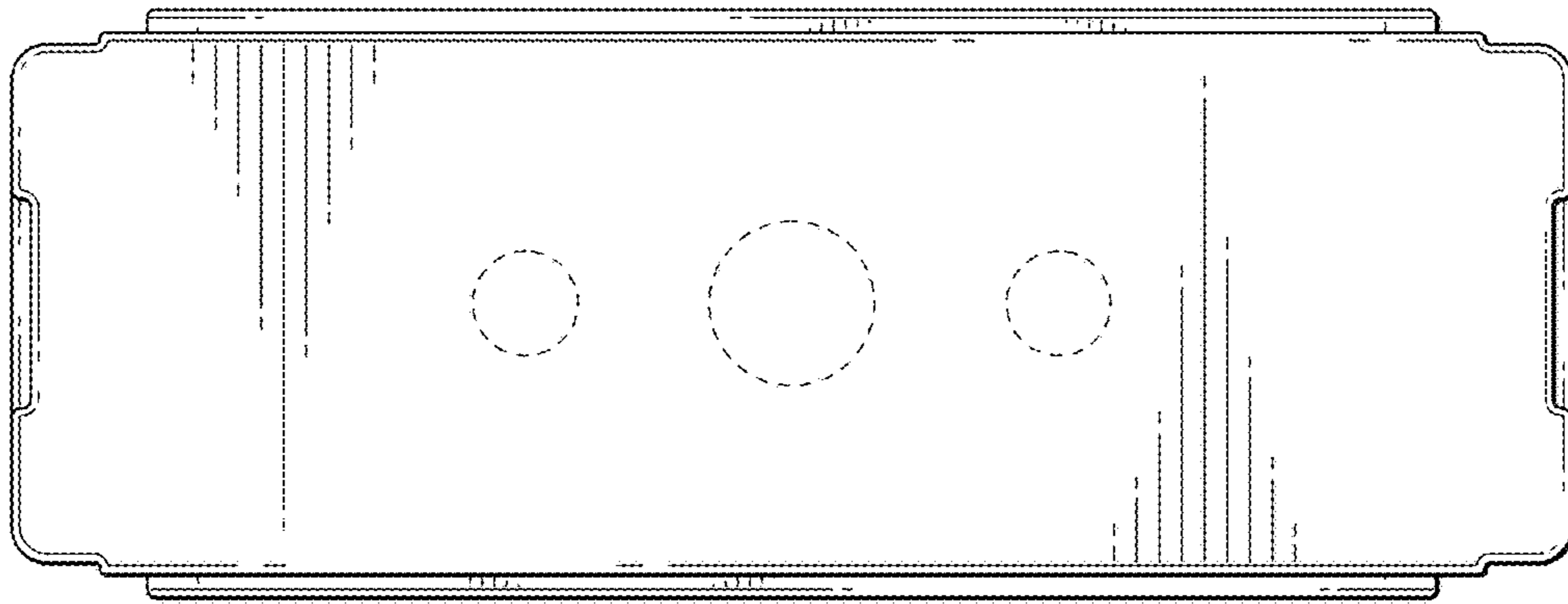


FIG. 6

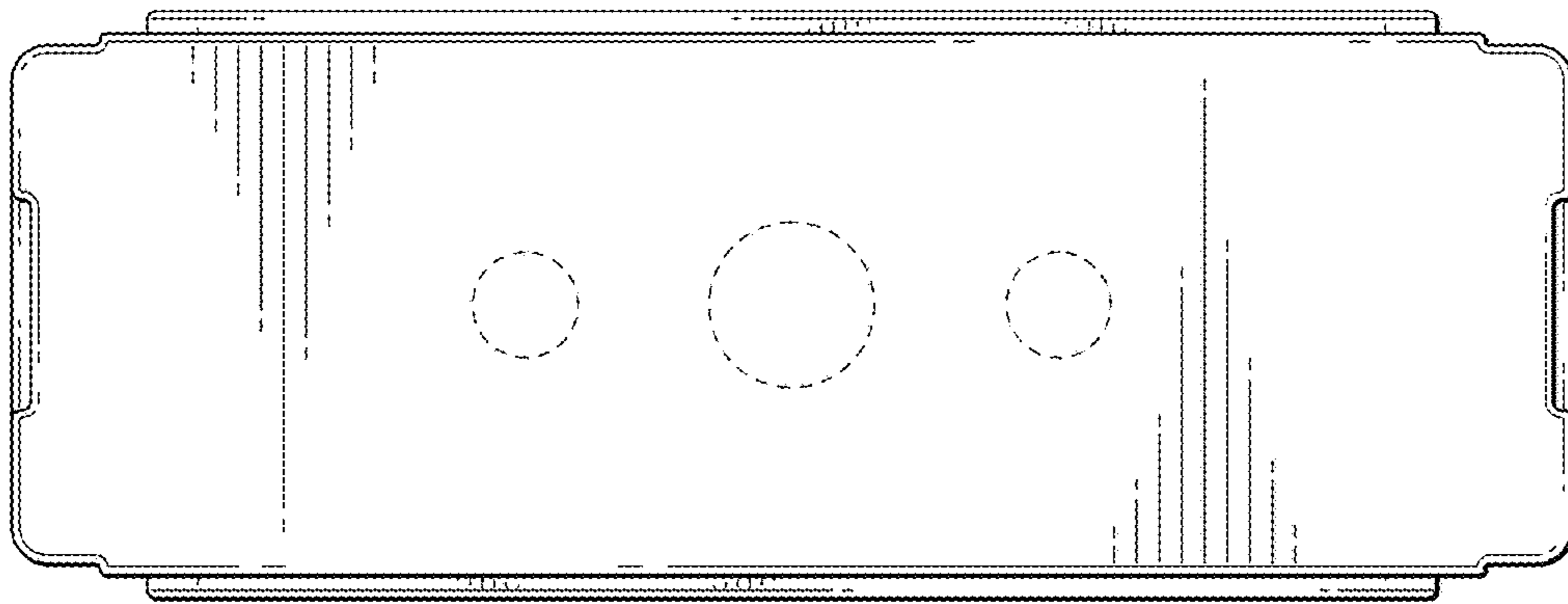


FIG. 7