



US00D790888S

(12) **United States Design Patent**
Everson et al.

(10) **Patent No.:** **US D790,888 S**

(45) **Date of Patent:** **** Jul. 4, 2017**

(54) **NIGHTSTAND**

(71) Applicant: **Ashley Furniture Industries, Inc.**,
Arcadia, WI (US)

(72) Inventors: **Terry A. Everson**, Blair, WI (US);
Randy D. Domack, Holmen, WI (US);
Craig C. Bacon, Trempealeau, WI (US)

(73) Assignee: **ASHLEY FURNITURE**
INDUSTRIES, INC., Arcadia, WI (US)

(**) Term: **15 Years**

(21) Appl. No.: **29/551,772**

(22) Filed: **Jan. 15, 2016**

(51) **LOC (10) Cl.** **06-04**

(52) **U.S. Cl.**
USPC **D6/671.1**

(58) **Field of Classification Search**
USPC D6/663, 664.1, 671, 671.1, 671.2, 671.3,
D6/671.4
CPC A47B 17/04; A47B 67/00; A47B 67/005;
A47B 67/04; A47B 88/00; A47B 88/04
See application file for complete search history.

(56) **References Cited**

U.S. PATENT DOCUMENTS

D341,502 S	*	11/1993	Ball	D6/671.1
D341,737 S	*	11/1993	Shepherd	D6/671.1
D353,282 S	*	12/1994	Keller	D6/671.1
D374,785 S	*	10/1996	Keller	D6/671.1
D384,525 S	*	10/1997	McBrayer	D6/671.1

D387,224 S	*	12/1997	Dunlap, Jr.	D6/671.1
D391,786 S	*	3/1998	Zaidman	D6/671.1
D400,029 S	*	10/1998	Zaidman	D6/671.1
D401,081 S	*	11/1998	Zaidman	D6/671.1
D407,238 S	*	3/1999	Zaidman	D6/671.1
D638,234 S	*	5/2011	Kirkeby	D6/671
D722,456 S	*	2/2015	Kielwasser	D6/671.1
D766,021 S	*	9/2016	Burden	D6/671.1

* cited by examiner

Primary Examiner — Mimoso De

(74) *Attorney, Agent, or Firm* — McAndrews, Held & Malloy, Ltd.

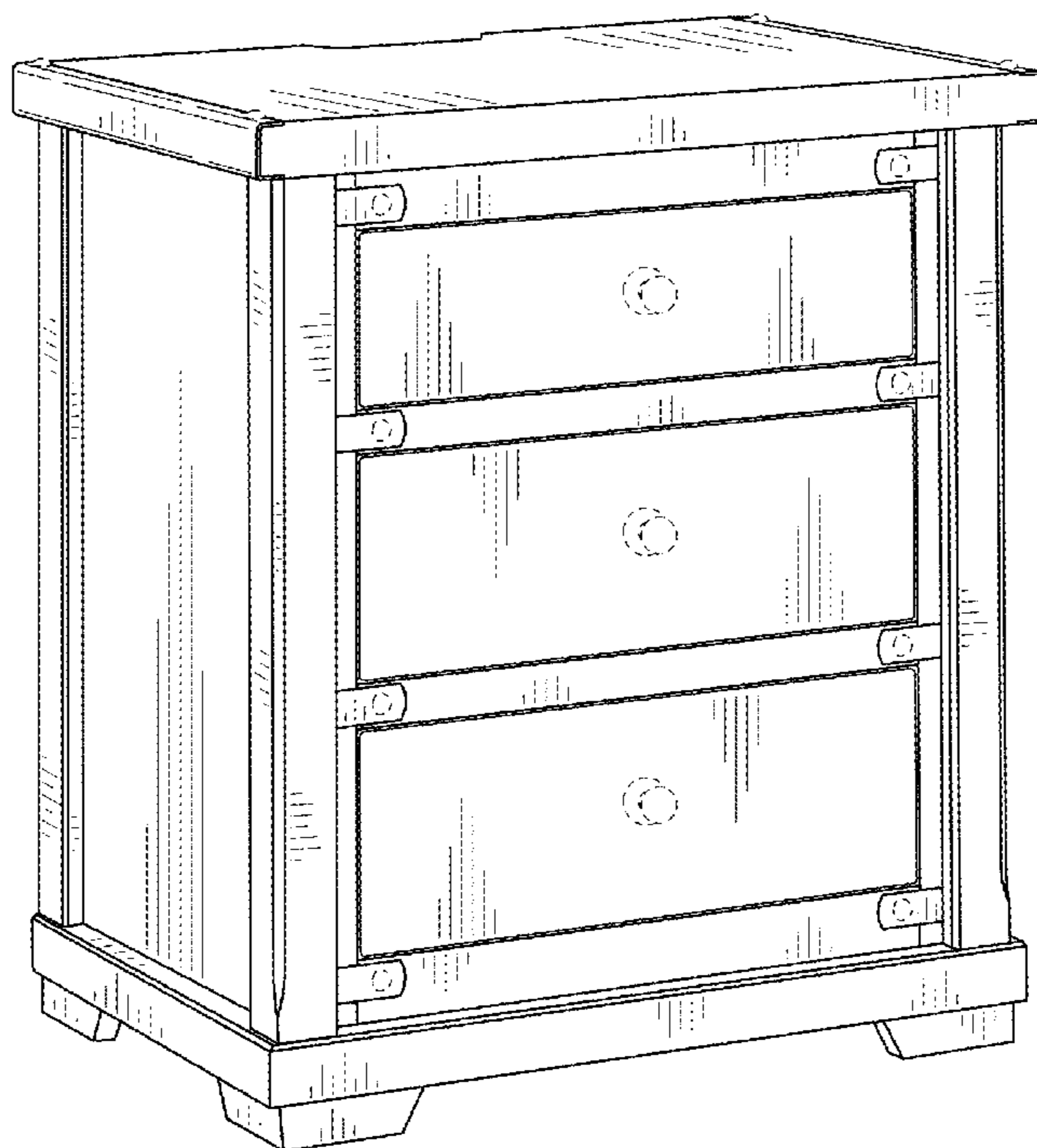
(57) **CLAIM**

The ornamental design for a nightstand, as shown and described.

DESCRIPTION

FIG. 1 is a front perspective view of a nightstand showing our new design;
FIG. 2 is a front elevation view thereof;
FIG. 3 is a rear elevation view thereof;
FIG. 4 is a right side elevation view thereof; the left side elevation view being a mirror image thereof;
FIG. 5 is a top plan view thereof; and,
FIG. 6 is a rear perspective view thereof.
The broken lines in the figures illustrate portions of the nightstand that form no part of the claimed design. Views of the nightstand not shown in the figures form no part of the claimed design.

1 Claim, 5 Drawing Sheets



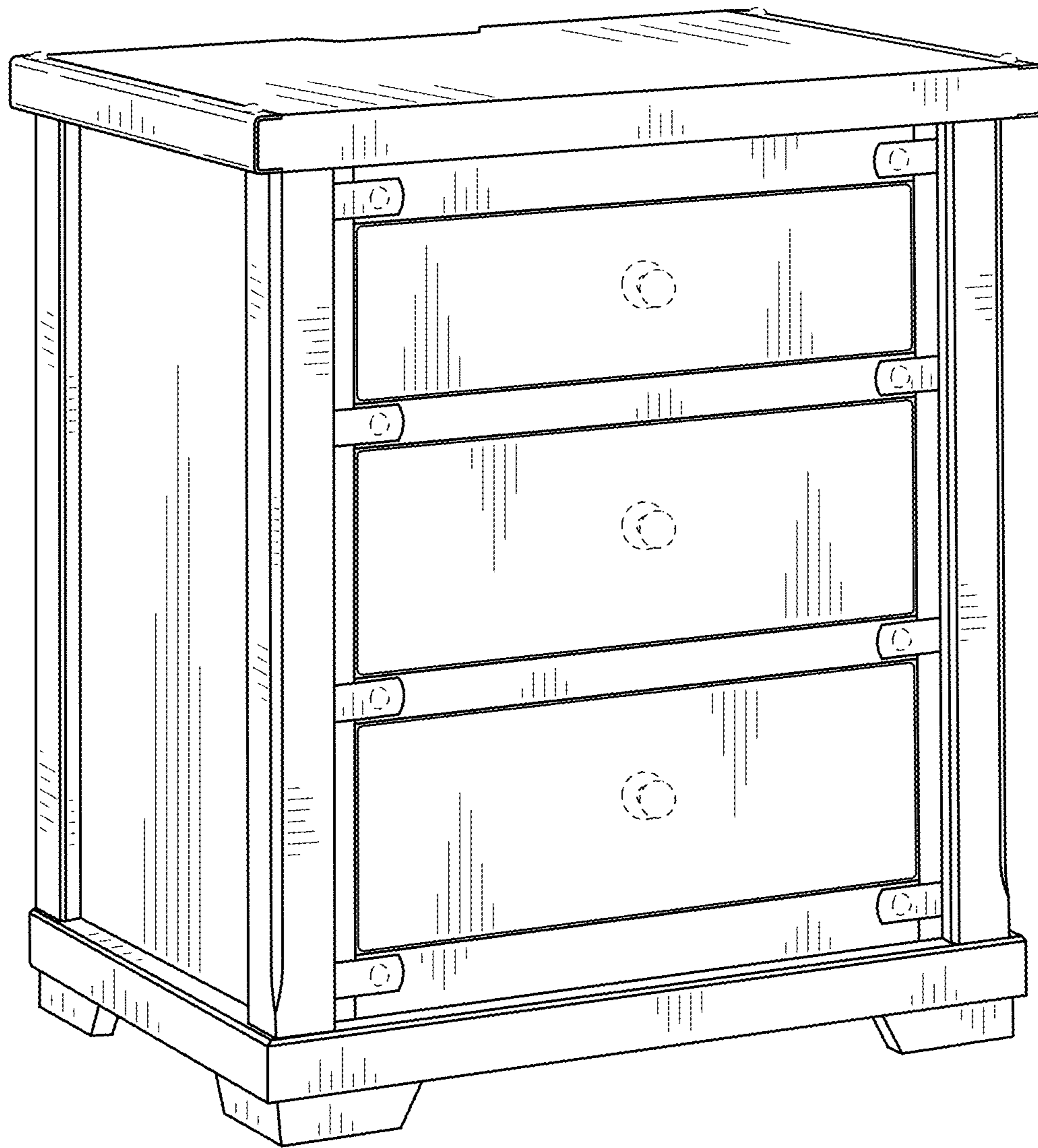


FIG. 1

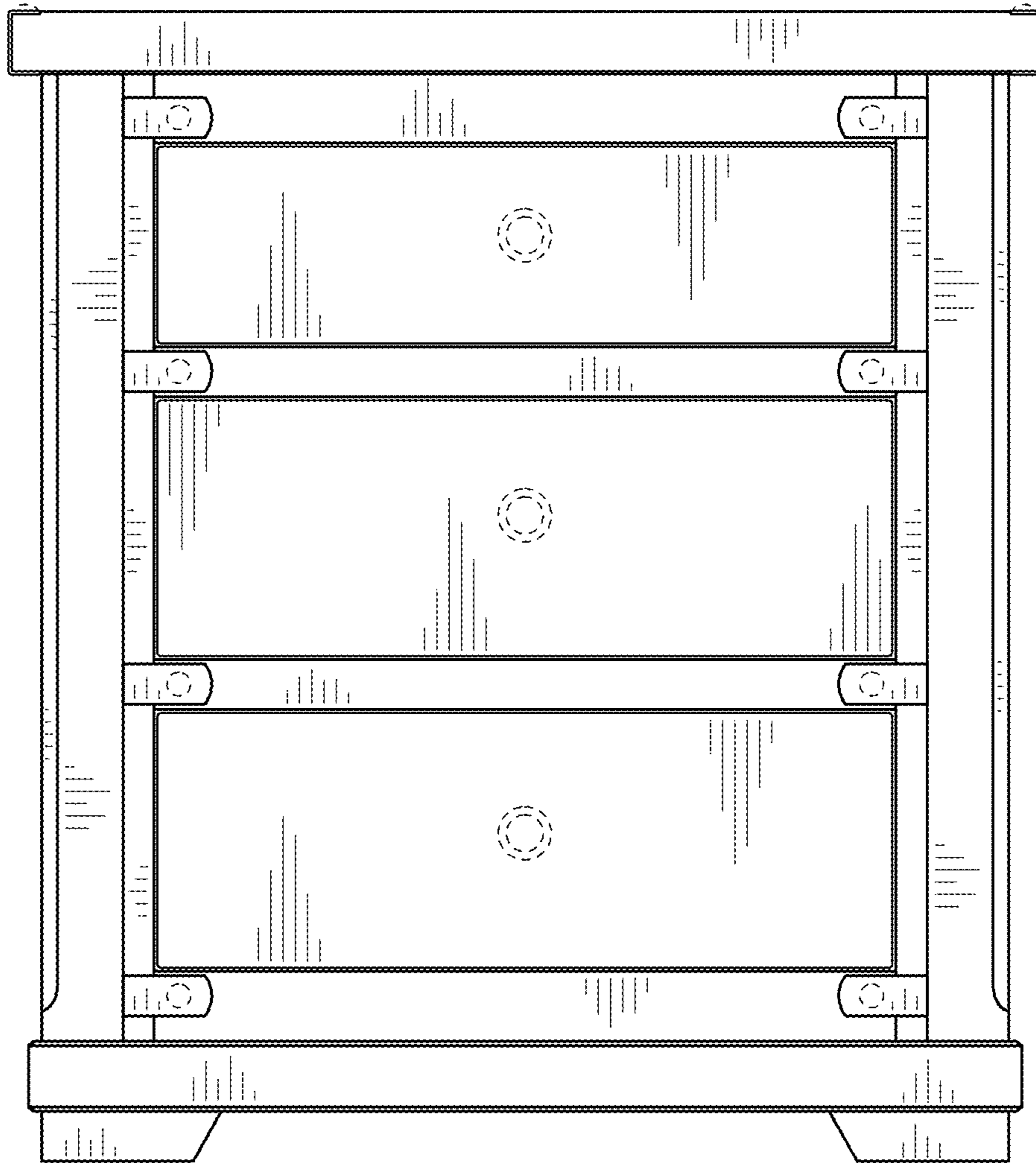


FIG. 2

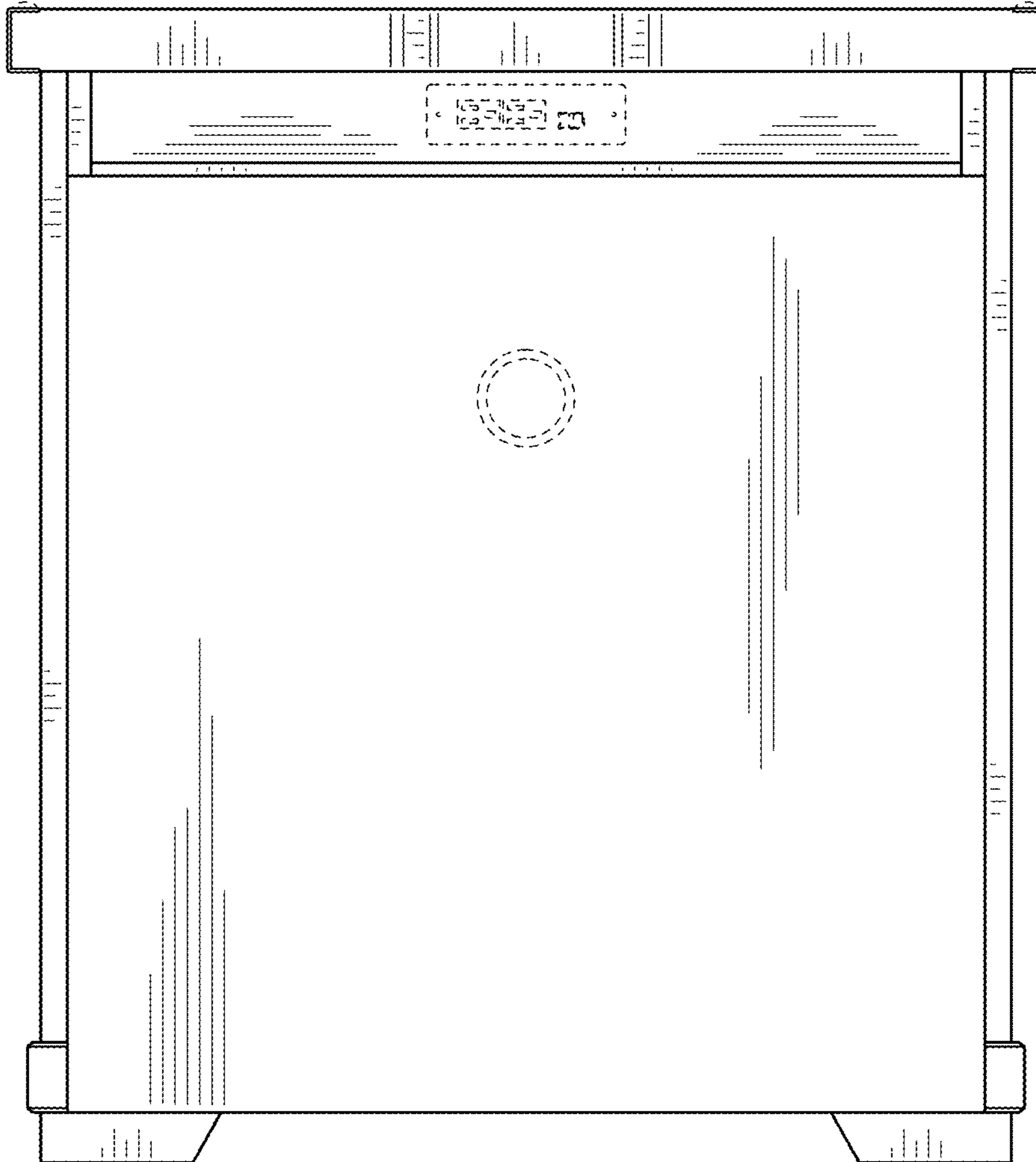


FIG. 3

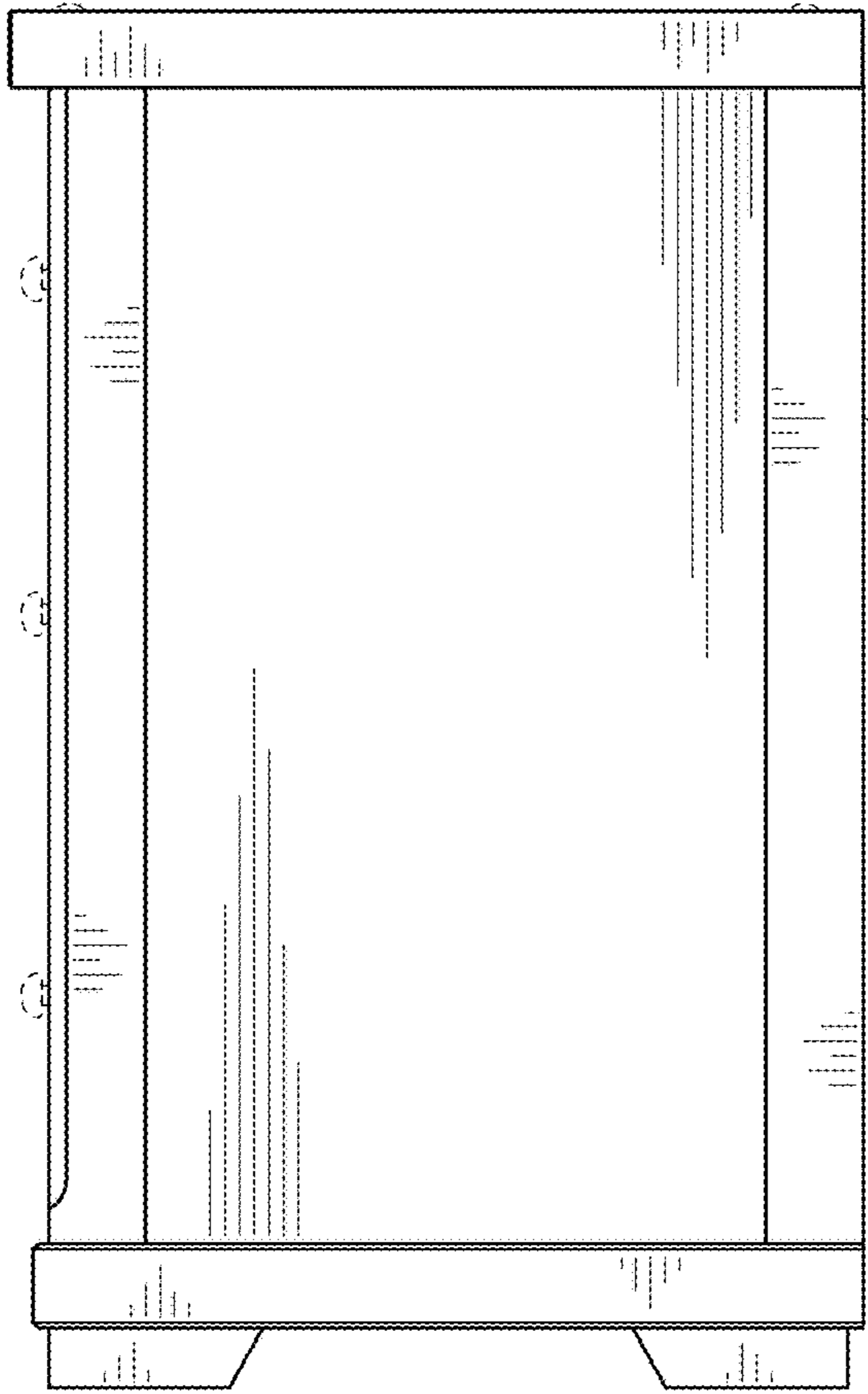


FIG. 4

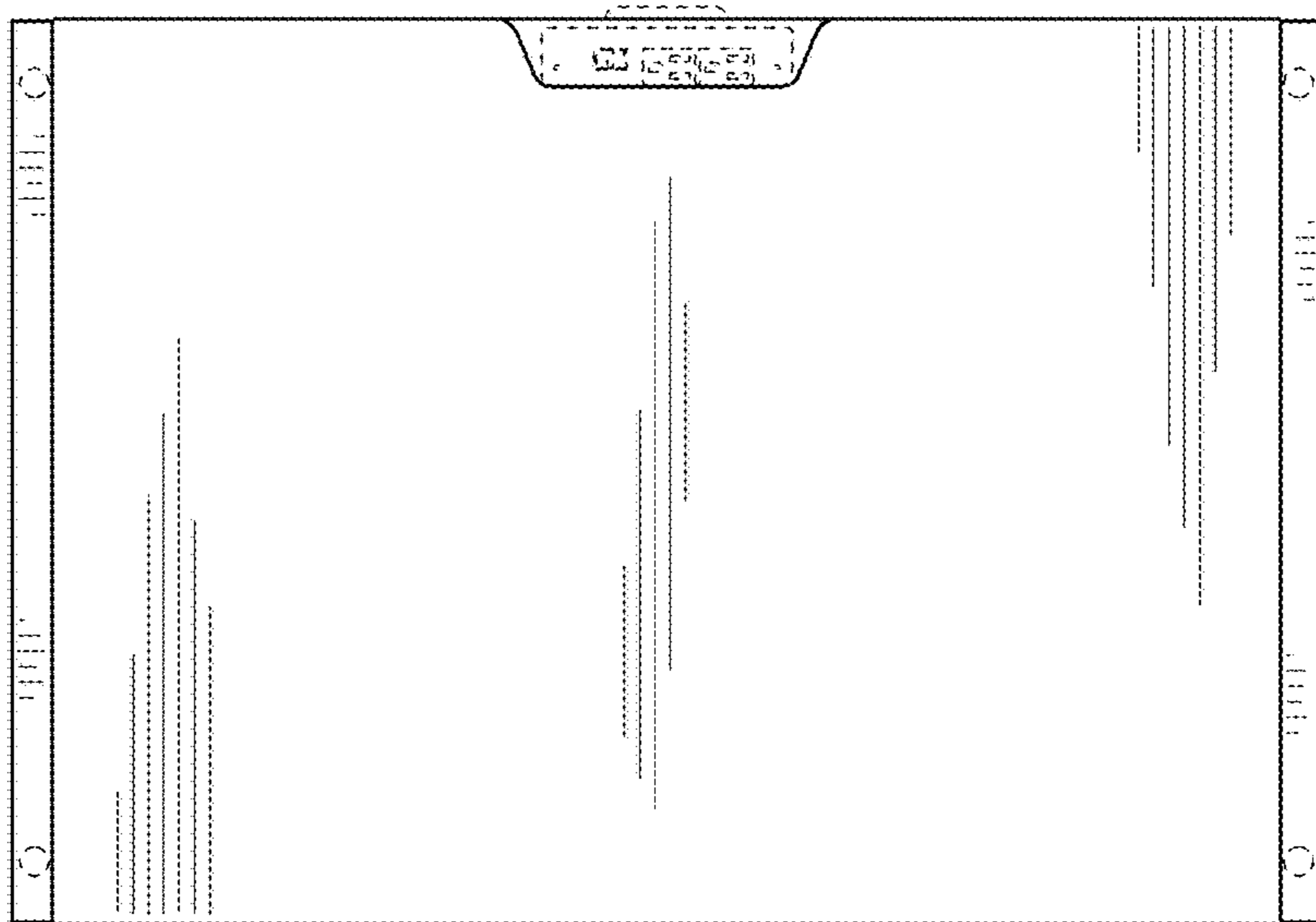


FIG. 5

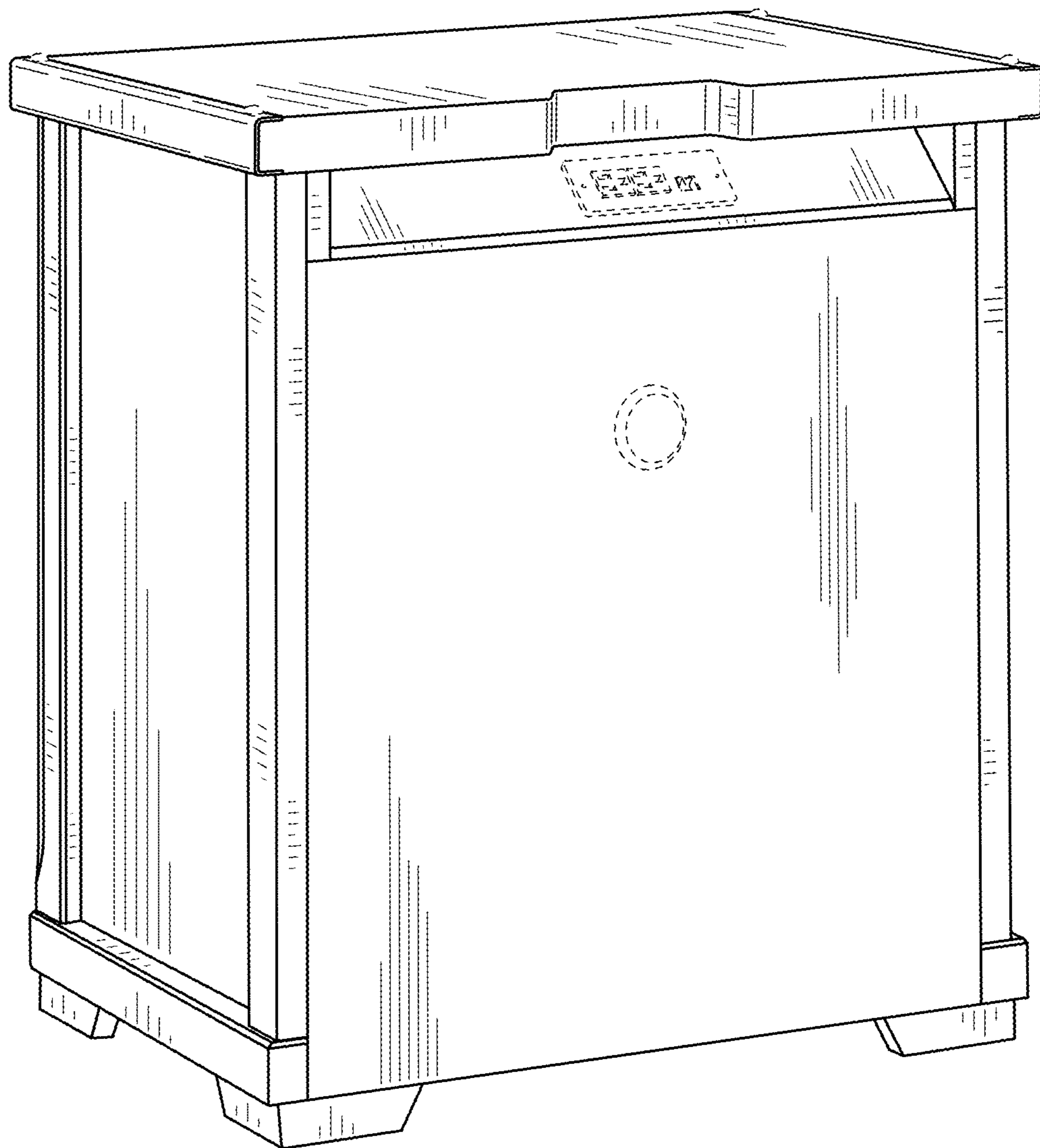


FIG. 6