

US00D790886S

(12) **United States Design Patent**  
**Yost**

(10) **Patent No.:** **US D790,886 S**  
(45) **Date of Patent:** **\*\* Jul. 4, 2017**

(54) **STORAGE CHEST**

(71) Applicant: **Donna M. Yost**, Bloomfield Hills, MI  
(US)

(72) Inventor: **Donna M. Yost**, Bloomfield Hills, MI  
(US)

(\*\*) Term: **15 Years**

(21) Appl. No.: **29/531,640**

(22) Filed: **Jun. 29, 2015**

(51) **LOC (10) Cl.** ..... **06-04**

(52) **U.S. Cl.**  
USPC ..... **D6/669**

(58) **Field of Classification Search**  
USPC ..... D3/272-273, 283; D6/334-336, 349,  
D6/351, 356, 364-367, 374, 663, 665,  
D6/671.1, 691.1, 716, 716.1, 716.4;  
D99/5

CPC ..... A47B 17/04; A47B 47/00; A47B 47/03;  
A47B 47/04; A47B 67/00; A47C 3/04;  
A47C 3/16; A61G 17/02

See application file for complete search history.

(56) **References Cited**

**U.S. PATENT DOCUMENTS**

D109,985 S \* 6/1938 hickerson ..... D6/665  
D350,010 S \* 8/1994 May ..... D99/5  
D359,831 S \* 6/1995 Parker ..... D99/5

D376,494 S \* 12/1996 Brunner ..... D6/671.1  
D400,029 S \* 10/1998 Zaidman ..... D6/671.1  
D401,447 S \* 11/1998 Hazen ..... D6/671.1  
D401,781 S \* 12/1998 Zaidman ..... D6/671.1  
5,960,524 A \* 10/1999 Darby ..... A61G 17/02  
27/10  
D429,915 S \* 8/2000 Hazen ..... D6/663  
D440,789 S \* 4/2001 Tabbia ..... D6/671.1  
D568,637 S \* 5/2008 Everson ..... D6/691.1

\* cited by examiner

*Primary Examiner* — Ricky Pham

(74) *Attorney, Agent, or Firm* — The Weintraub Group,  
P.L.C.

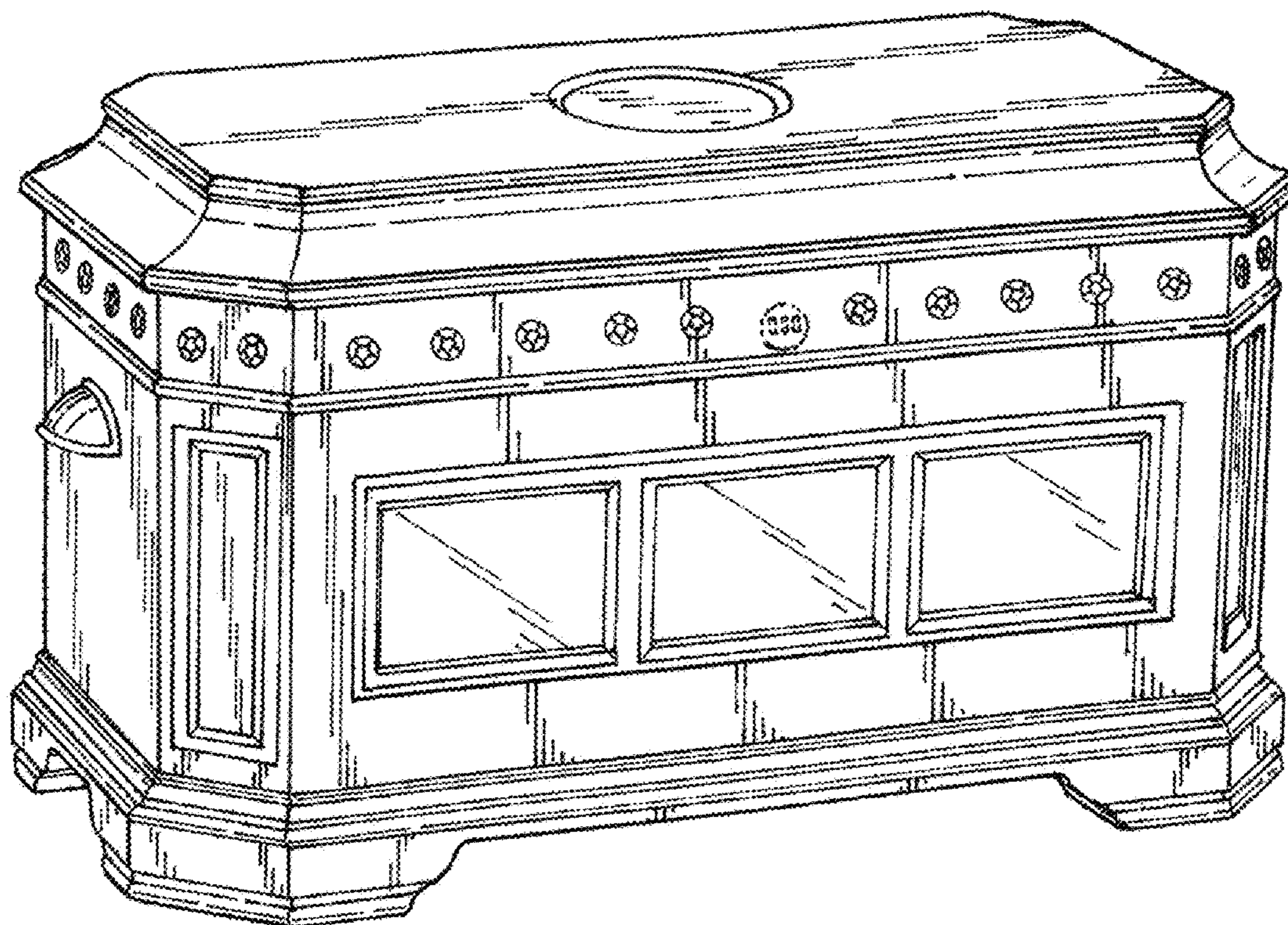
(57) **CLAIM**

The ornamental designs for a storage chest, as shown and described.

**DESCRIPTION**

FIG. 1 is a front view of a storage chest, showing my new design;  
FIG. 2 is a rear view as seen from the side opposite that of FIG. 1;  
FIG. 3 is a first side elevational view hereof;  
FIG. 4 is a second side elevational view as seen from the side opposite that of FIG. 3;  
FIG. 5 is a top view hereof;  
FIG. 6 is a bottom view hereof; and,  
FIG. 7 is a perspective view hereof.

**1 Claim, 4 Drawing Sheets**



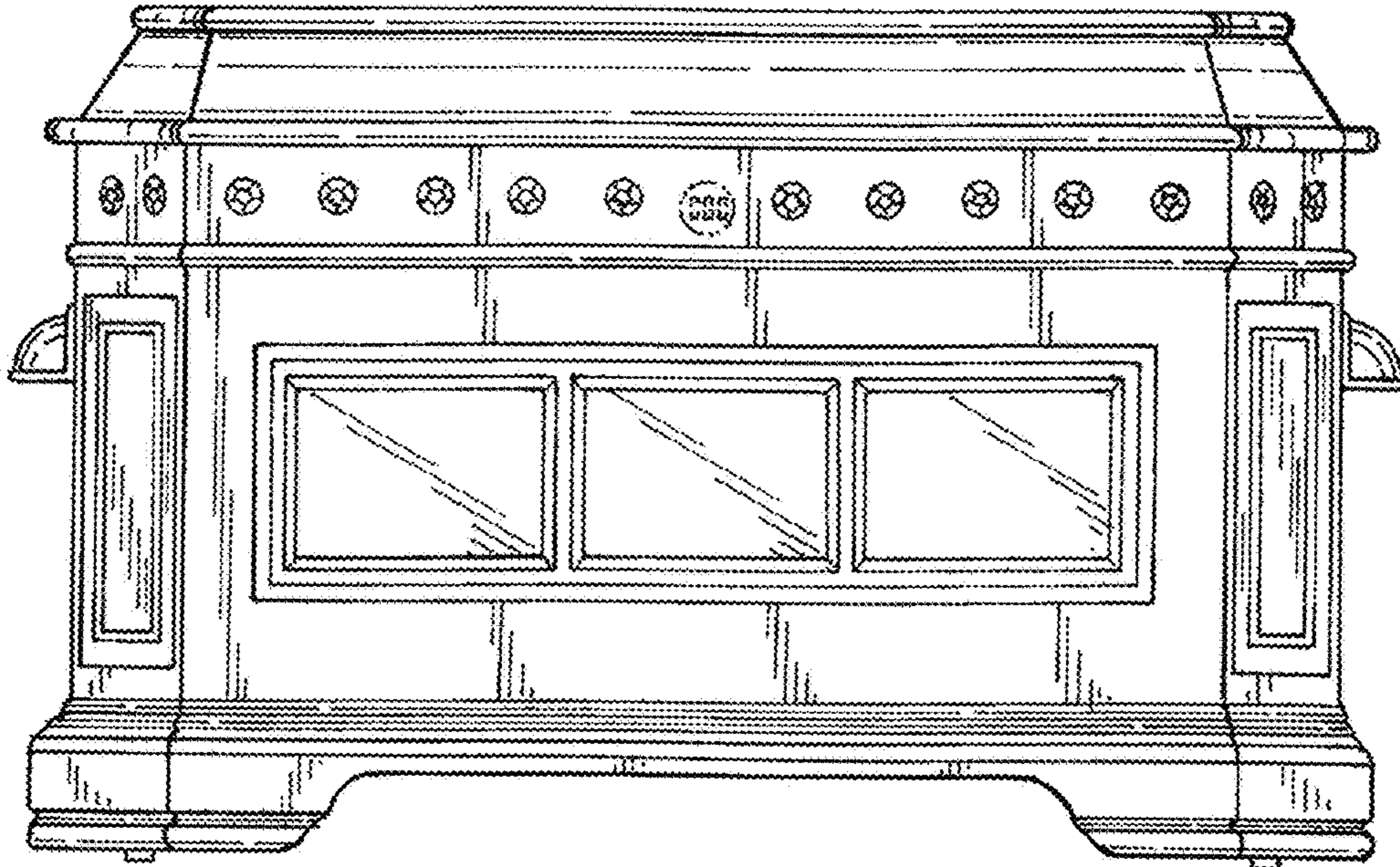


FIG. 1

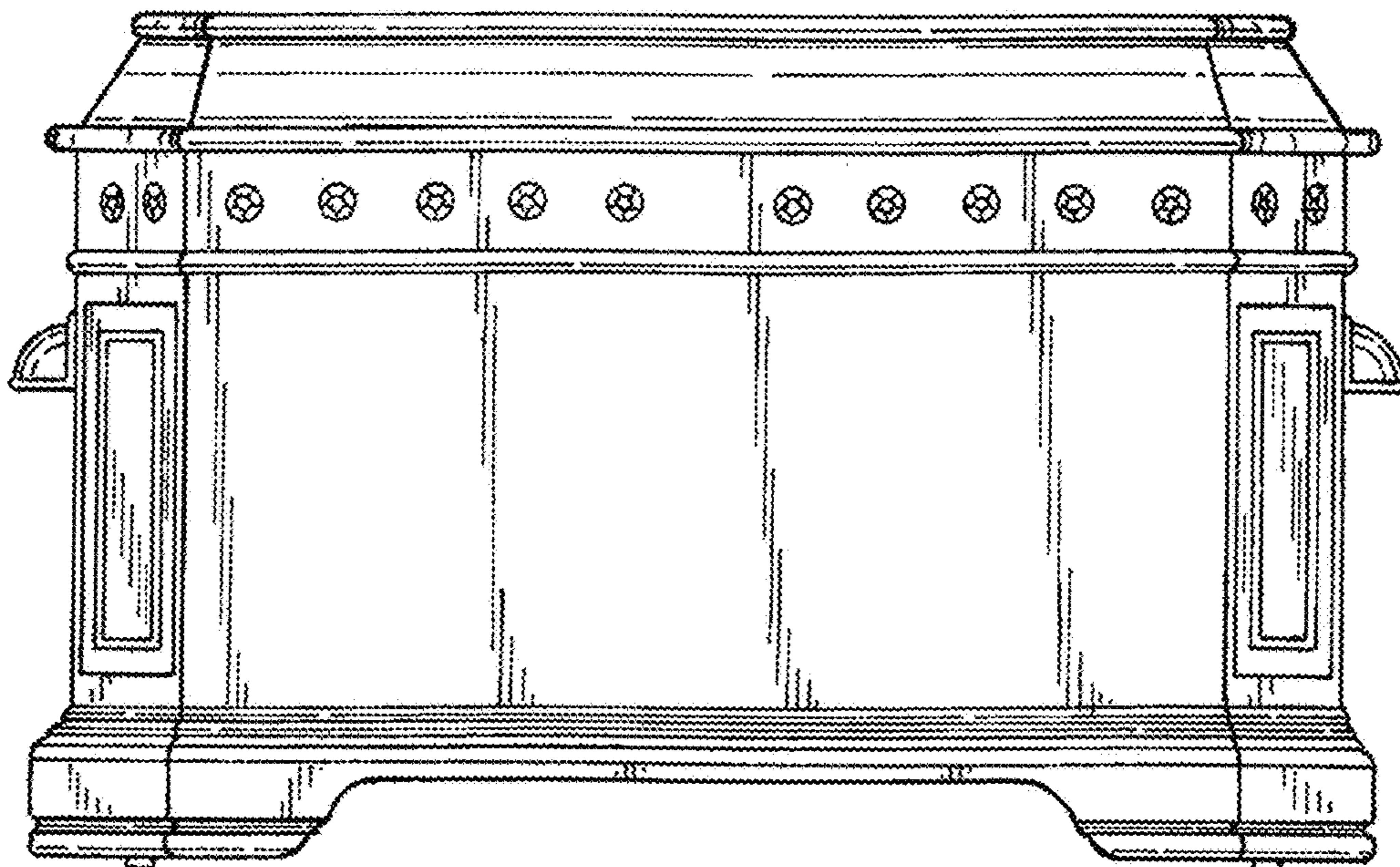


FIG. 2

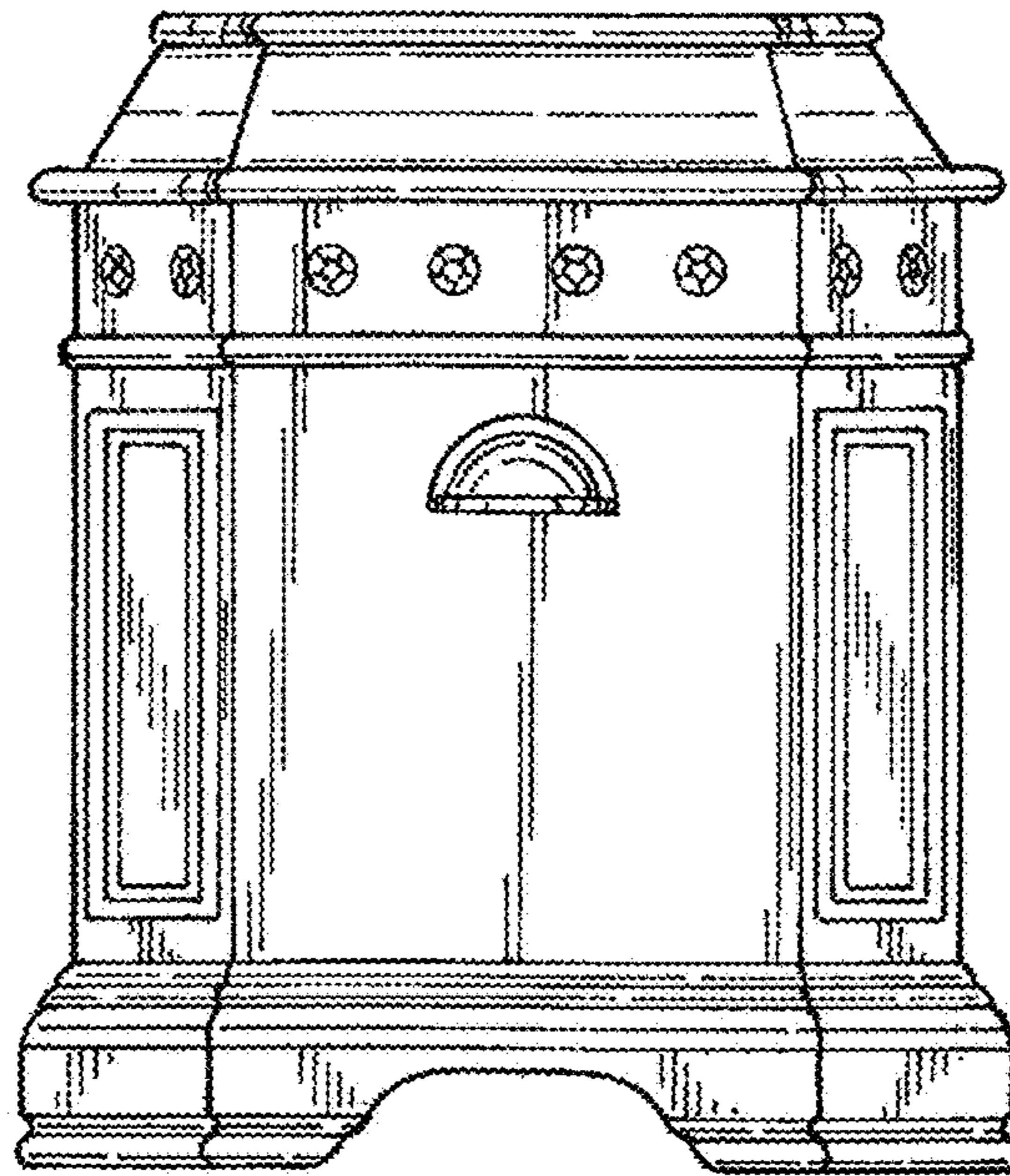


FIG. 3

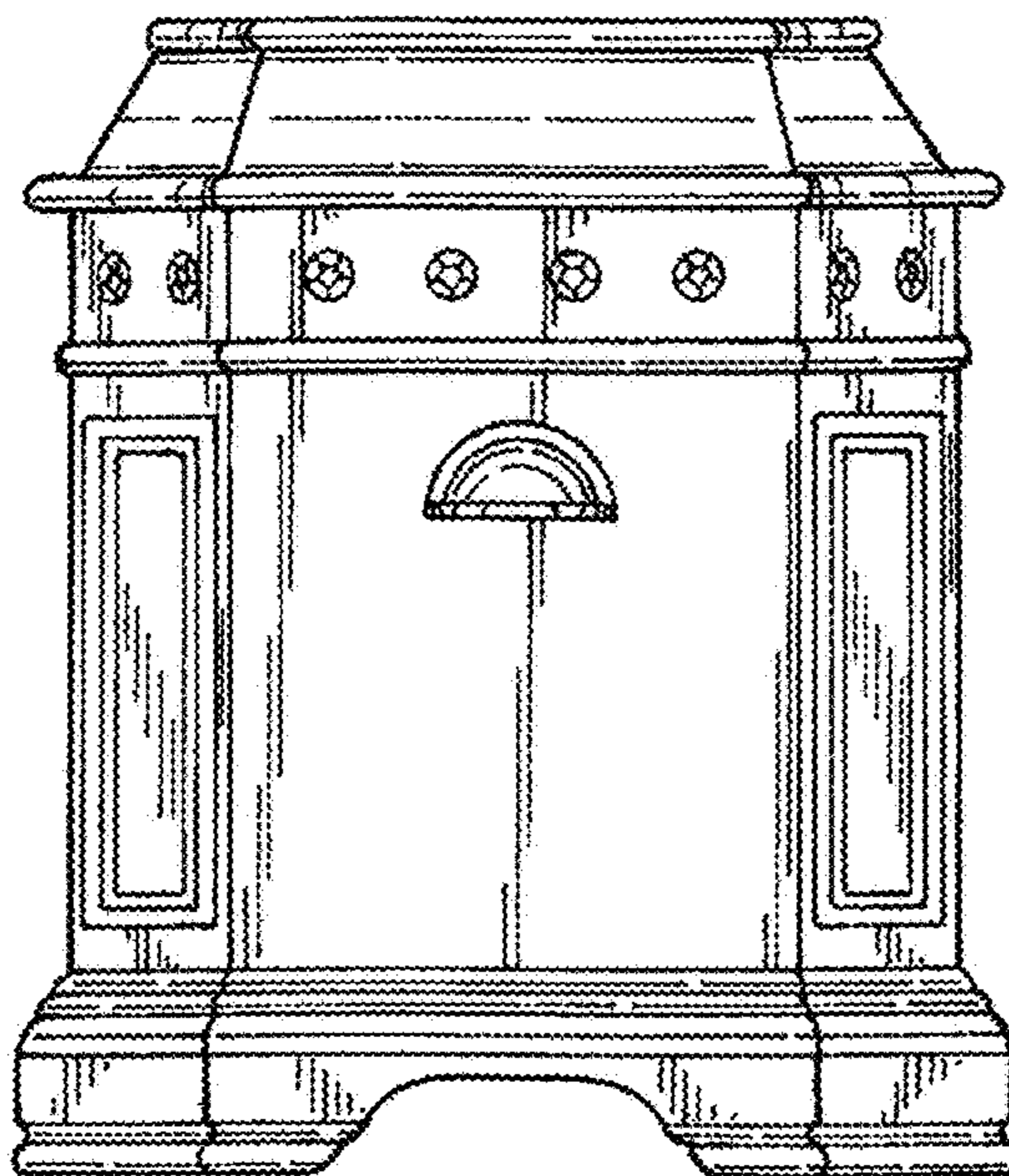


FIG. 4

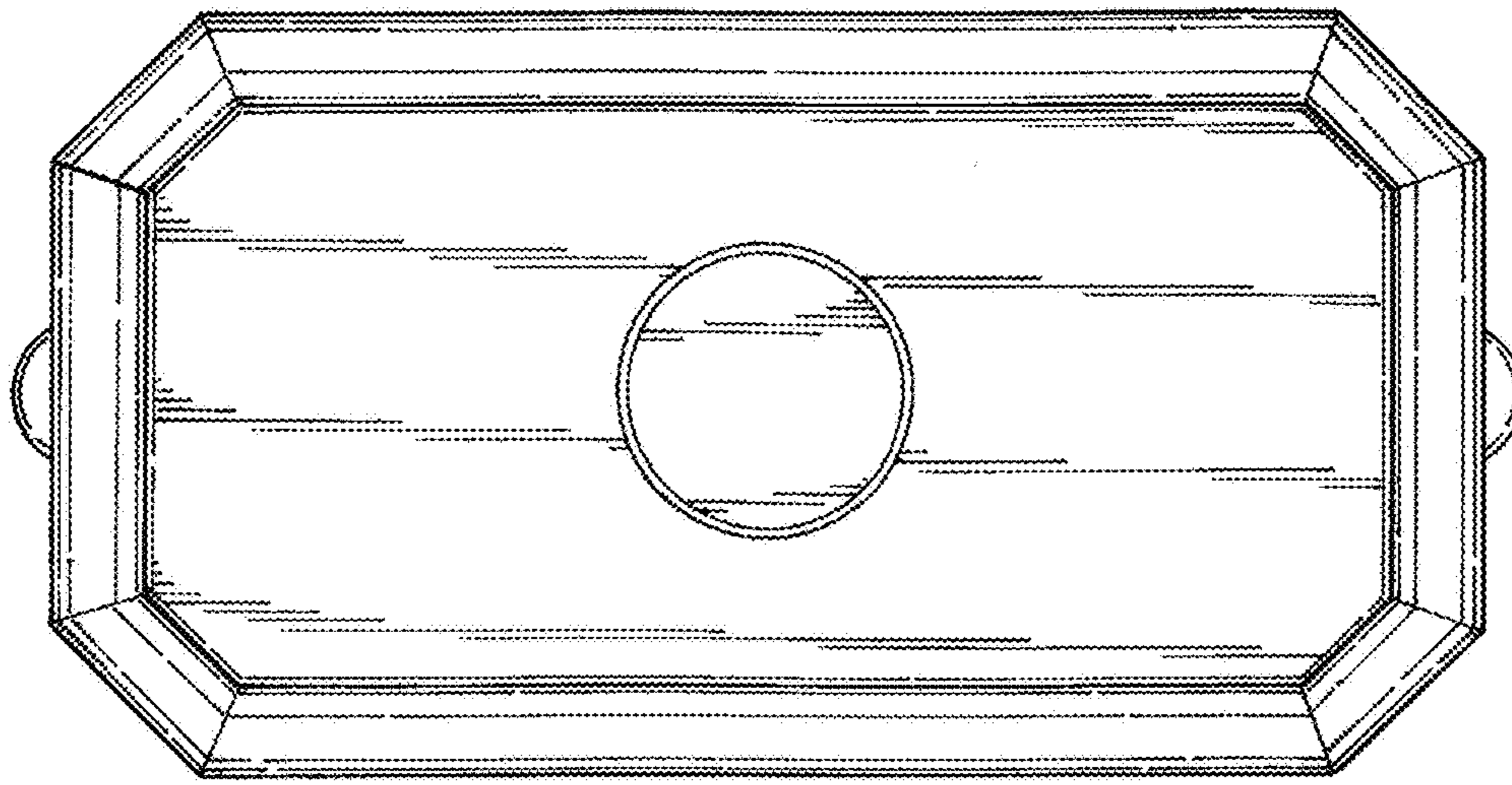


FIG. 5

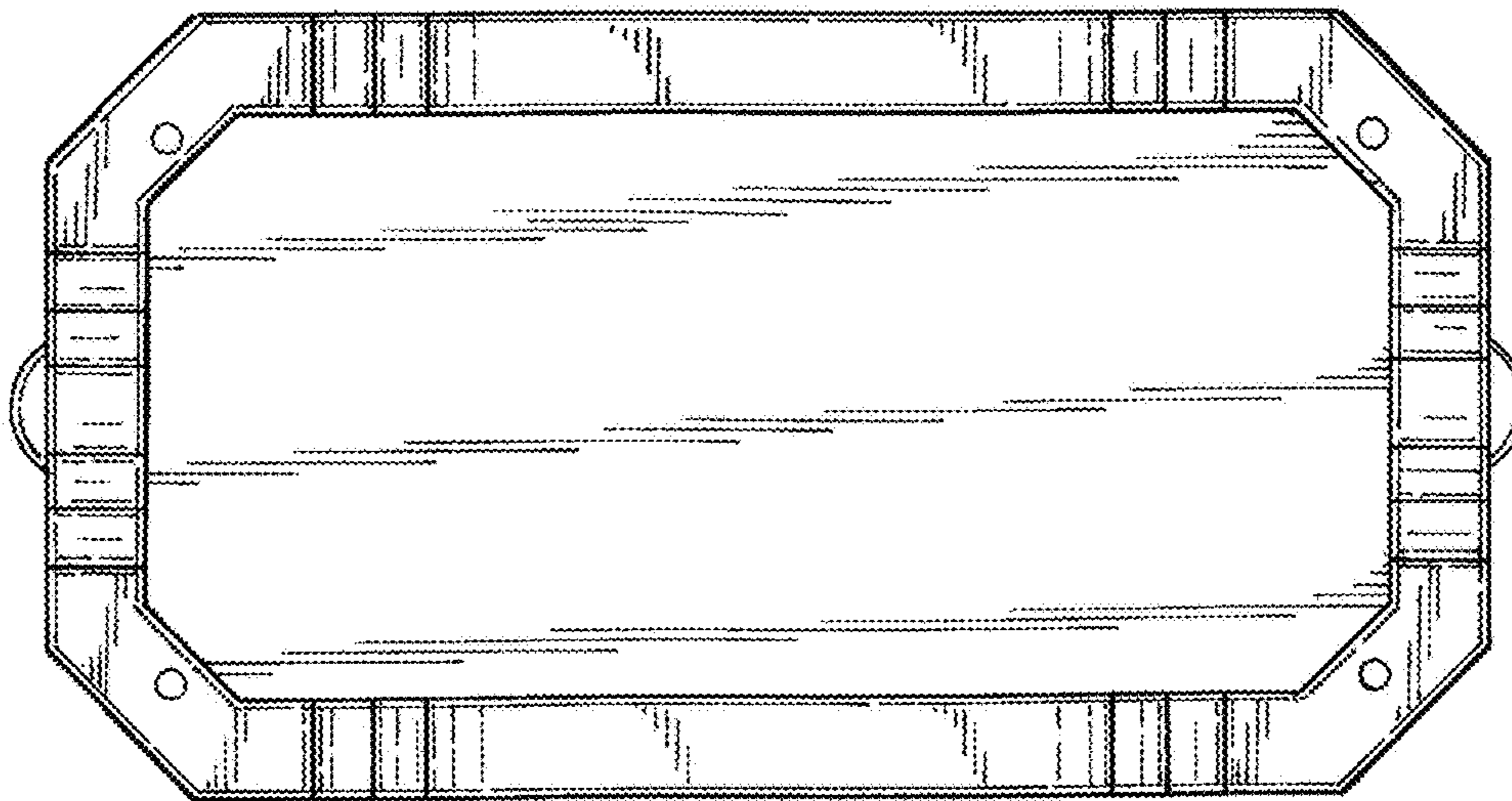


FIG. 6

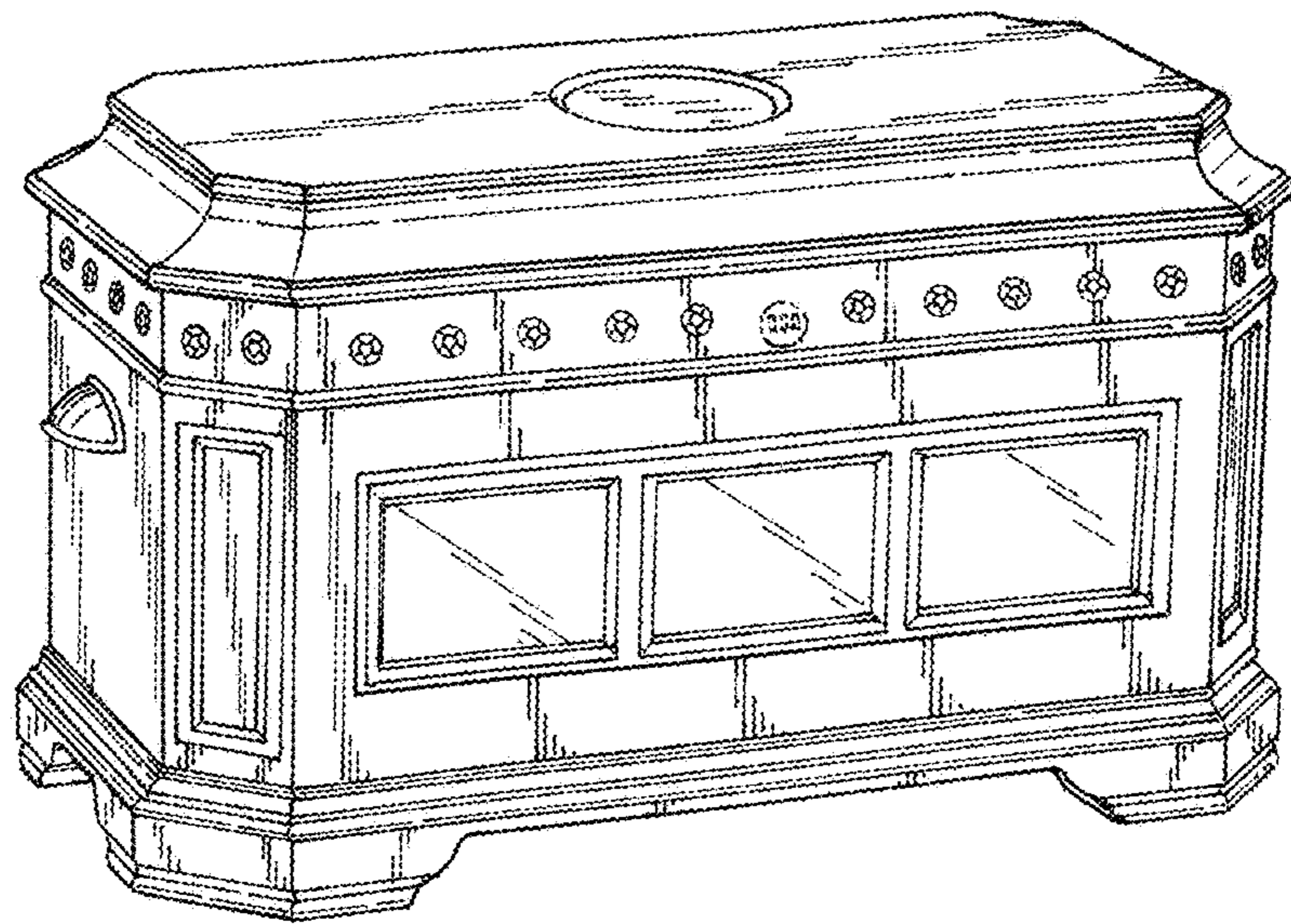


FIG. 7