



US00D790884S

(12) **United States Design Patent** (10) **Patent No.:** **US D790,884 S**
Schonherr et al. (45) **Date of Patent:** **** Jul. 4, 2017**

(54) **VANITY BASE WITH SEAT**

(71) Applicant: **Ronbow Corporation**, Fremont, CA (US)

(72) Inventors: **Thomas Schonherr**, Stuttgart (DE);
Andreas Diefenbach, Stuttgart (DE);
Sven Feustel, Stuttgart (DE)

(73) Assignee: **Ronbow Corporation**, Fremont, CA (US)

(**) Term: **15 Years**

(21) Appl. No.: **29/556,295**

(22) Filed: **Feb. 29, 2016**

(51) **LOC (10) Cl.** **06-04**

(52) **U.S. Cl.**
USPC **D6/664**

(58) **Field of Classification Search**
USPC D6/662, 663, 519, 559-561, 699,
D6/334-336, 349, 351, 352, 358, 360,
D6/364, 365, 366, 374, 375, 379, 380,
D6/611, 646, 657, 661, 662.1, 672, 674,
D6/675, 675.1, 675.3, 683, 683.1, 685,
D6/691, 691.5, 702, 708, 708.2, 708.21,
D6/708.25, 716, 716.1-716.4; D3/304,
D3/307, 309; D10/74; D18/59;
D12/423, 424; D25/48.4, 113, 163;
D24/227-230; D23/286, 343, 313;
D7/333
CPC A47B 55/02; A47B 3/00; A47B 81/005;
A47B 81/00; A47B 67/02; A47B 77/02;
A47B 47/05; A47B 47/0066; A47B
87/005; A47B 87/0292; A47G 1/12; G09F
1/12; A47F 3/002; A47F 5/08; A45C
11/16; H05K 9/0062; E05C 19/001
See application file for complete search history.

(56) **References Cited**

U.S. PATENT DOCUMENTS

D259,316 S * 5/1981 Offredi D18/59
4,856,855 A * 8/1989 Hasuike A47B 87/0292
312/111
D323,631 S * 2/1992 Berg D10/74
D341,737 S * 11/1993 Shepherd D6/671.1
D350,042 S * 8/1994 Shepherd D6/671
D403,894 S * 1/1999 Hutton D6/671.1
D487,853 S * 3/2004 Woods D6/662
D493,043 S * 7/2004 Juneau D6/671.1
D519,299 S * 4/2006 Boudreau D6/657
D522,773 S * 6/2006 Becker D6/661
(Continued)

OTHER PUBLICATIONS

“Vanities” May 29, 2014, custommade.com, site visited Mar. 24, 2017 <<https://www.custommade.com/gallery/custom-bathroom-vanities/>>.*
(Continued)

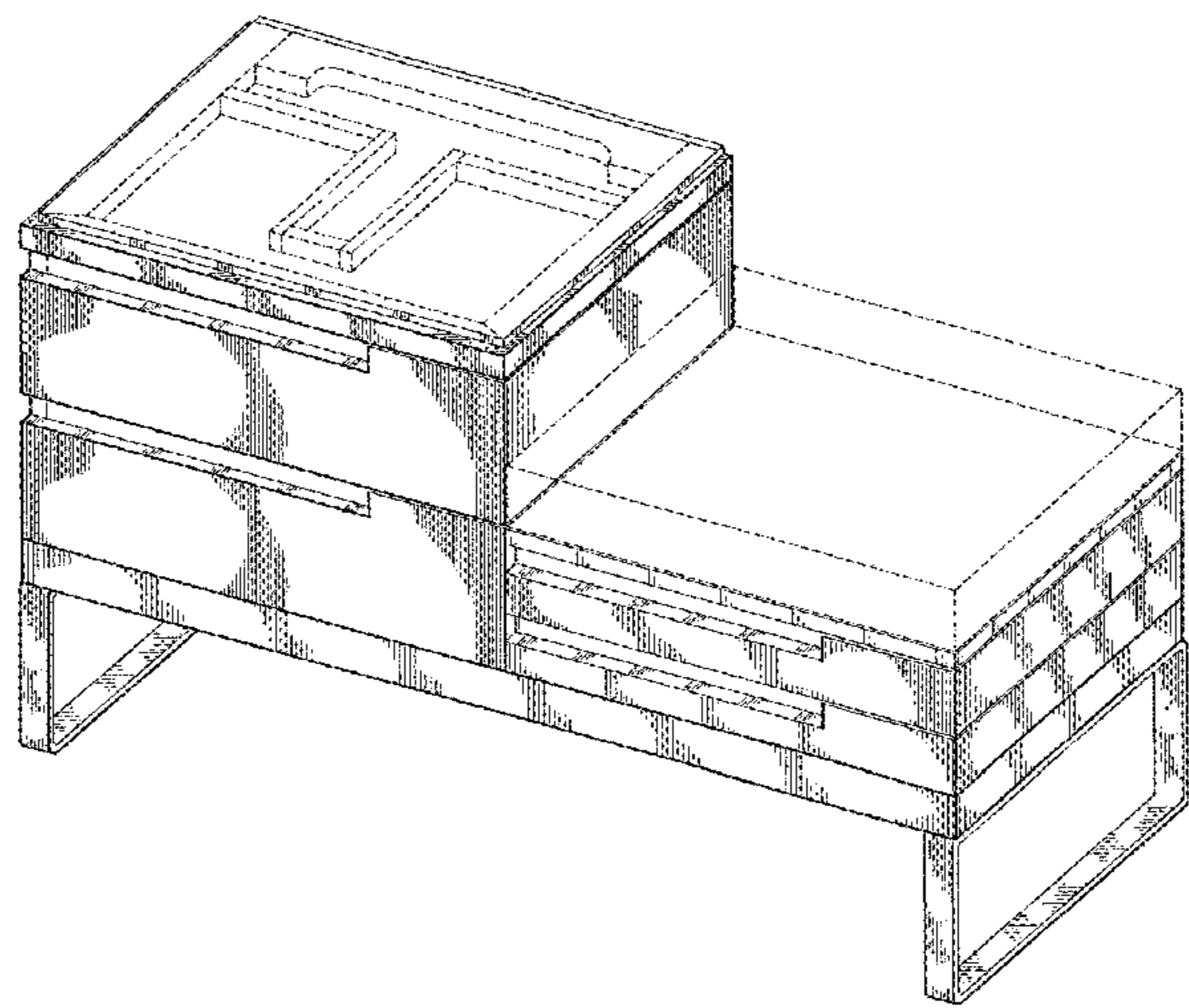
Primary Examiner — Kevin Rudzinski
Assistant Examiner — Paul Bohannon
(74) *Attorney, Agent, or Firm* — Thomas Schneck

(57) **CLAIM**
We claim the design for a vanity base with seat, as shown and described.

DESCRIPTION

FIG. 1 is a front perspective view of the vanity base with seat;
FIG. 2 is a front plan view thereof;
FIG. 3 is a rear plan view thereof;
FIG. 4 is a right side plan view thereof;
FIG. 5 is a left side plan view thereof;
FIG. 6 is a top plan view thereof; and,
FIG. 7 is a bottom plan view thereof.
The broken line showing of a vanity base with seat represents portions of the article that form no part of the claimed design.

1 Claim, 4 Drawing Sheets



(56)

References Cited

U.S. PATENT DOCUMENTS

D663,136 S * 7/2012 Thompson D6/671
2011/0241510 A1* 10/2011 Lin A47B 47/0066
312/309
2012/0319546 A1* 12/2012 Liu A47B 43/00
312/237

OTHER PUBLICATIONS

“Plywood-Melamine Vanity Set in Dawn Grey #IMG-18771” Dec.
1, 2005, imgvanities.com, site visited Mar. 24, 2017 <[http://www.
imgvanities.com/product_details.php?Product_ID=18771&](http://www.imgvanities.com/product_details.php?Product_ID=18771&)>.*

* cited by examiner

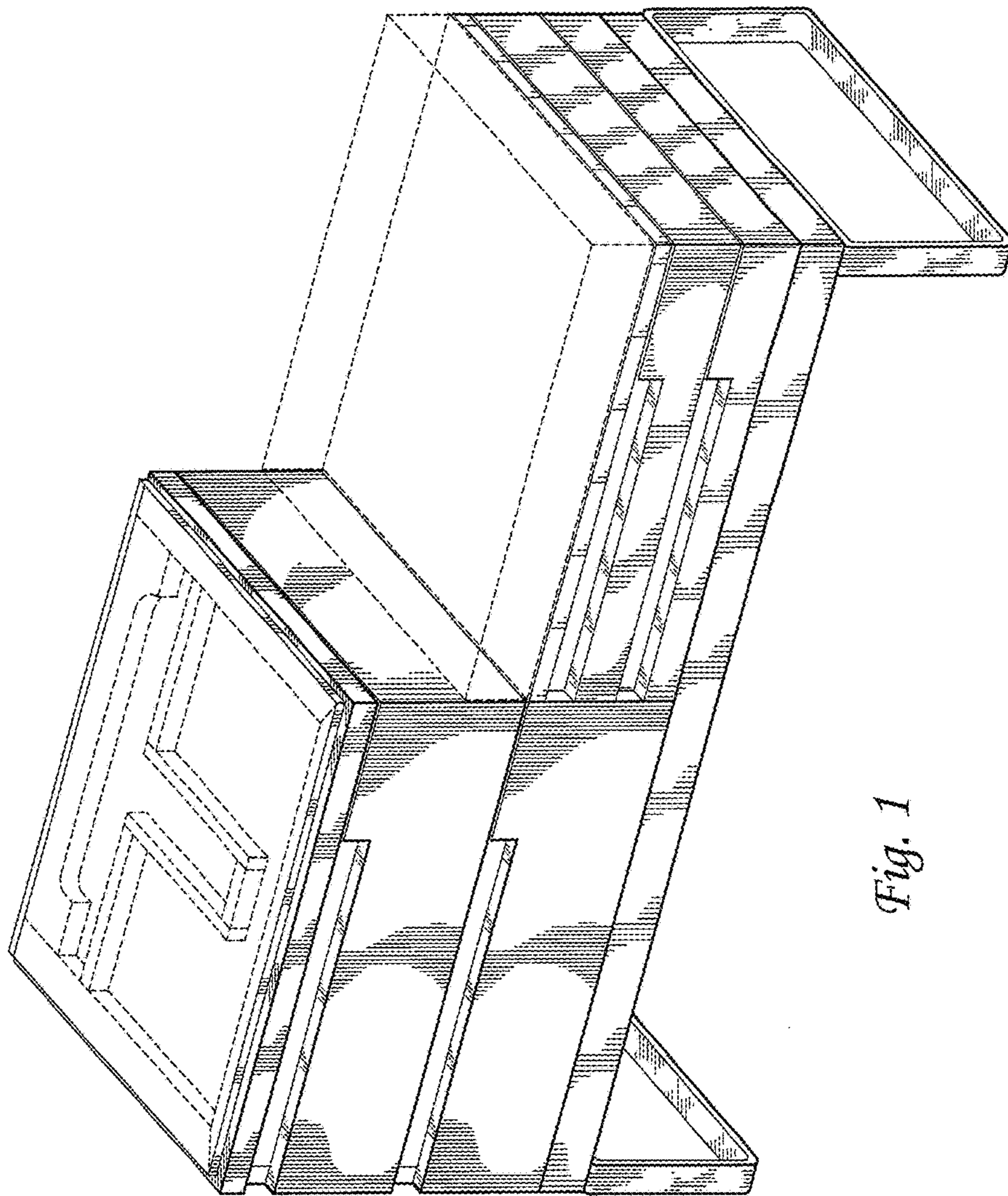


Fig. 1

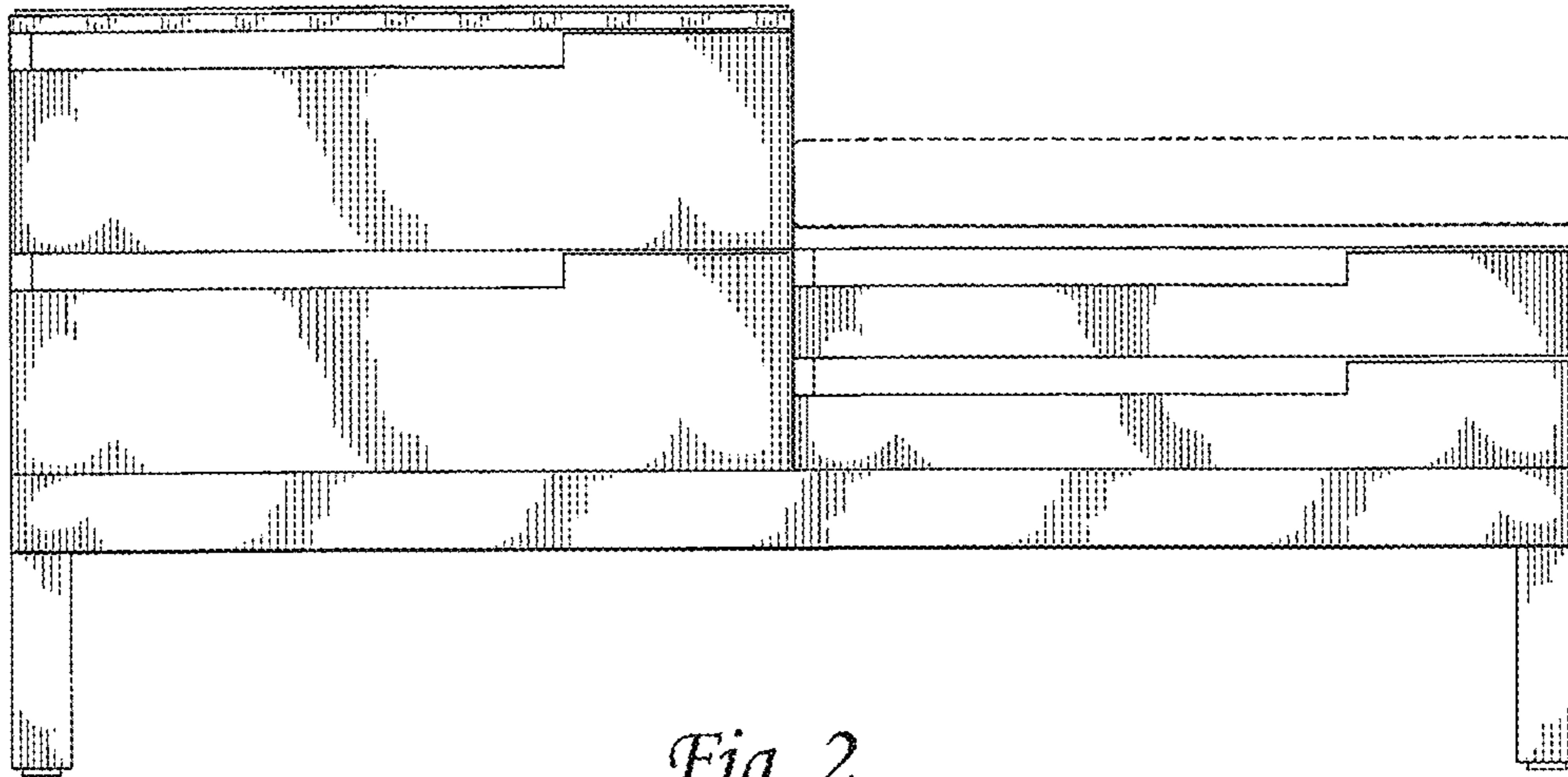


Fig. 2

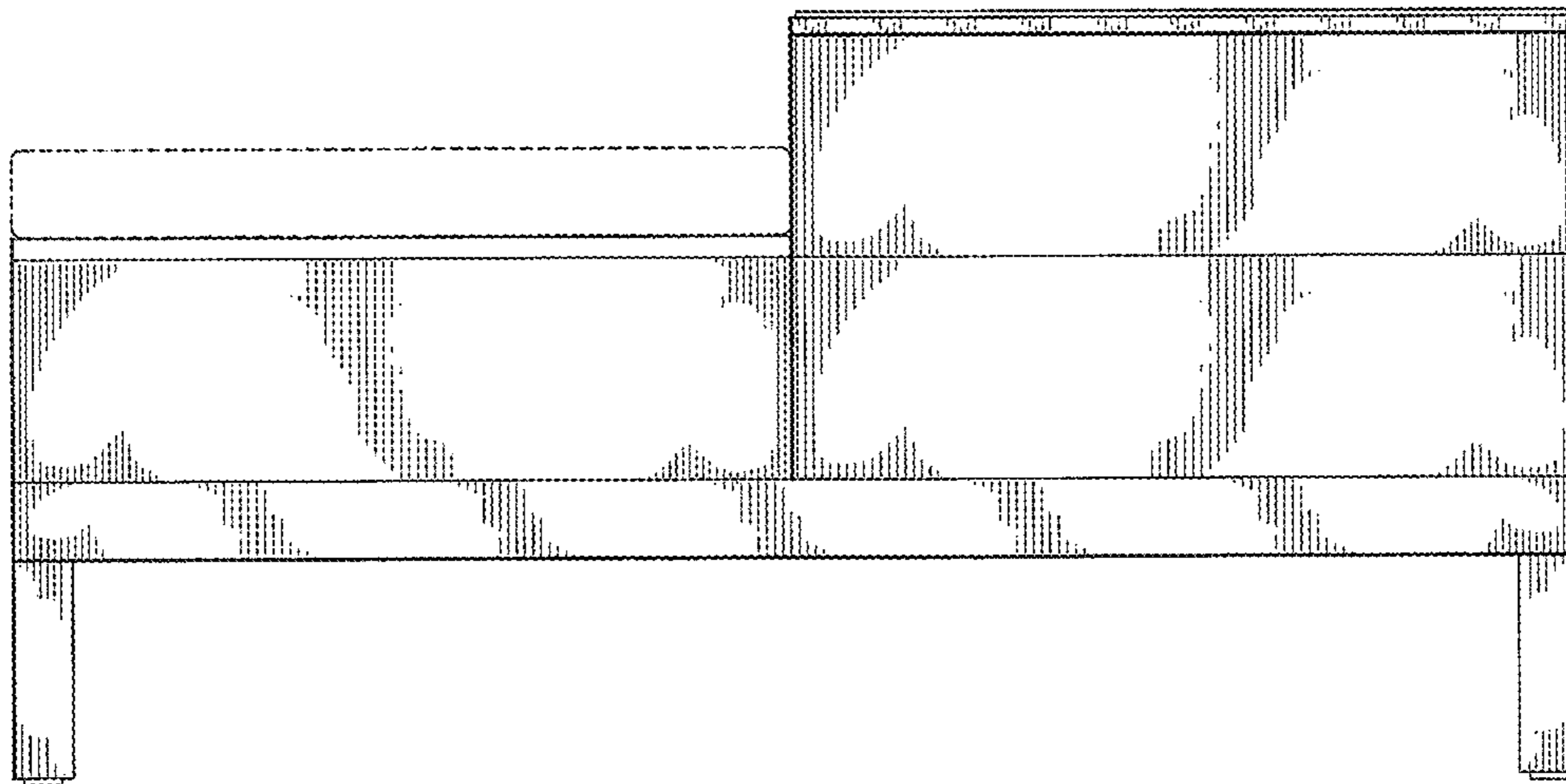


Fig. 3

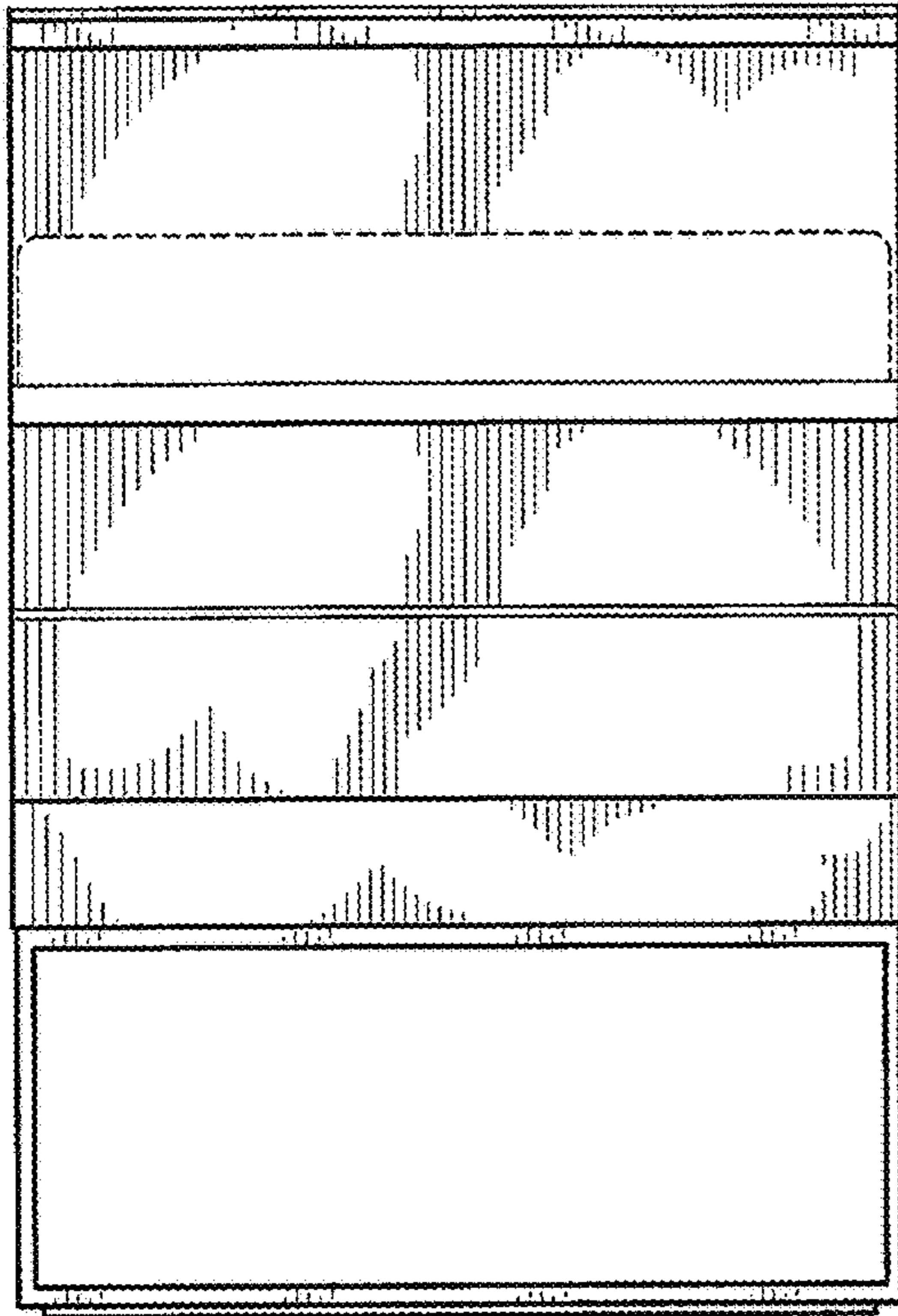


Fig. 4

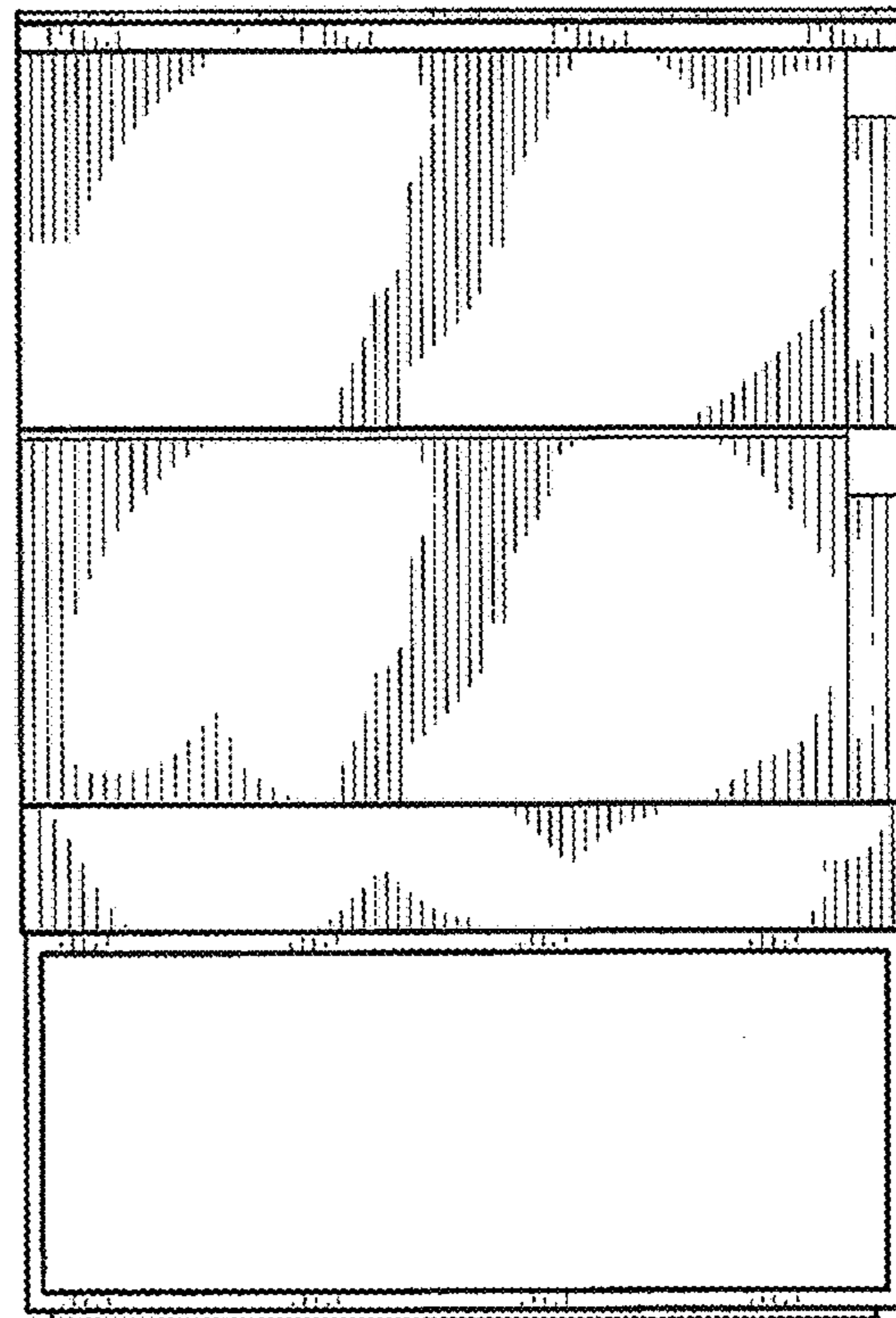


Fig. 5

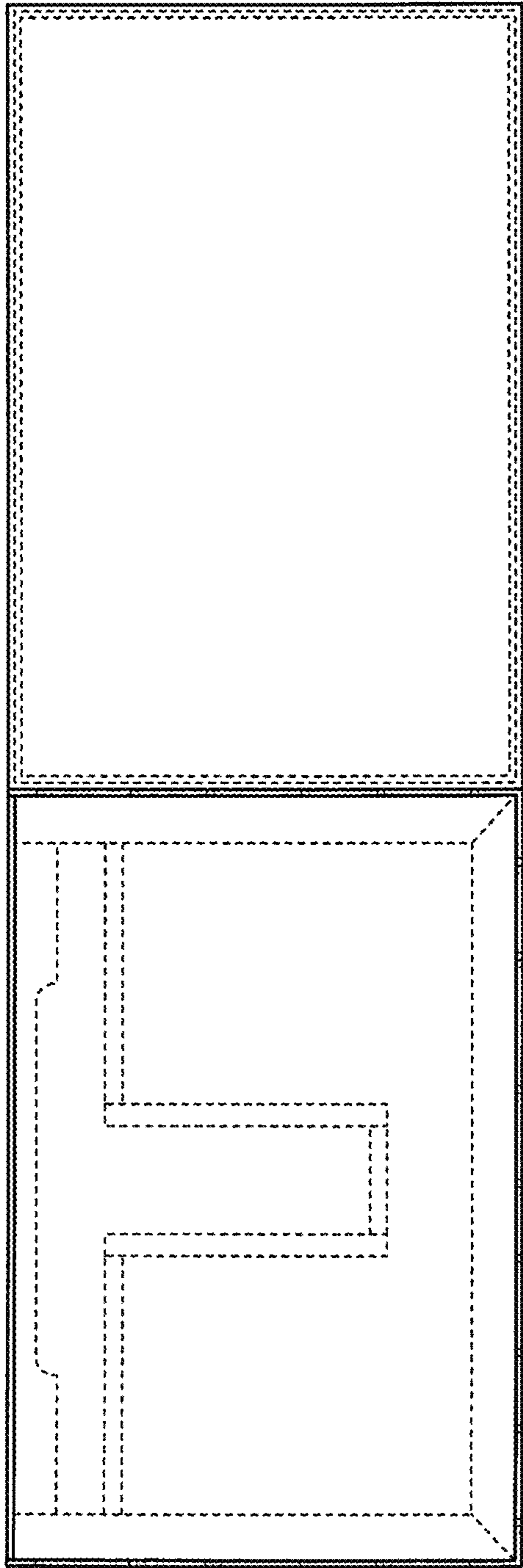


FIG. 6

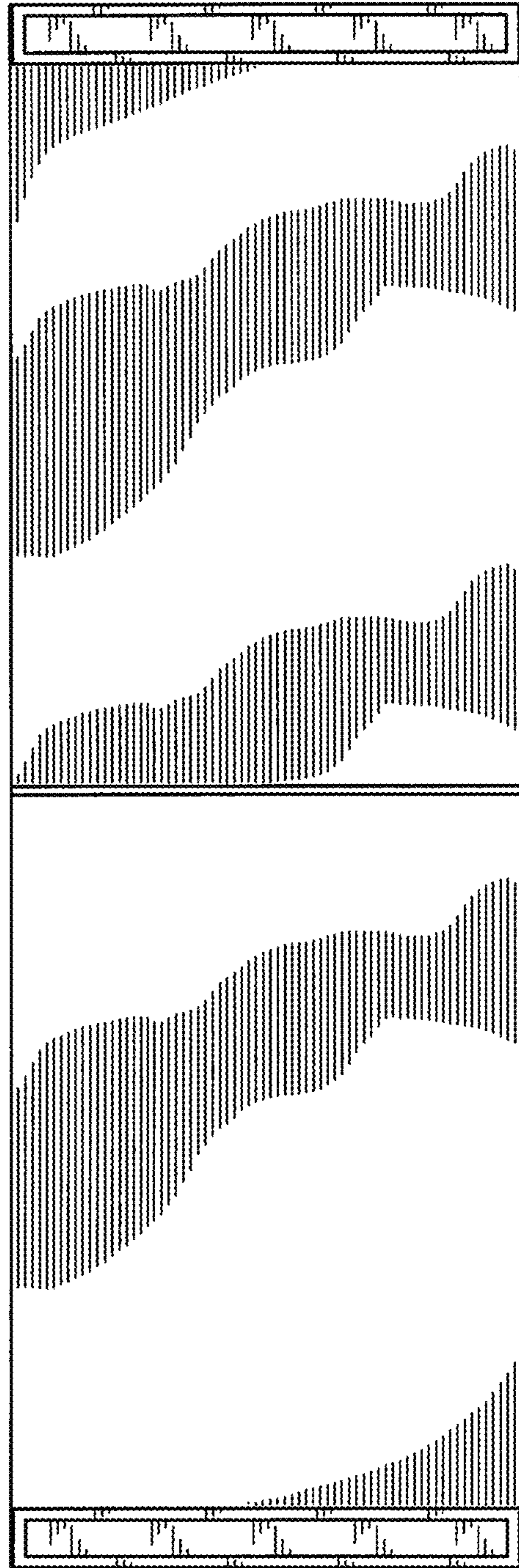


FIG. 7