



US00D790883S

(12) **United States Design Patent** (10) **Patent No.:** **US D790,883 S**  
**Schonherr et al.** (45) **Date of Patent:** **\*\* Jul. 4, 2017**

(54) **VANITY BASE**

B42F 17/00; G09F 1/12; A47F 3/002;  
A47F 5/08; A45C 11/16

(71) Applicant: **Ronbow Corporation**, Fremont, CA  
(US)

See application file for complete search history.

(72) Inventors: **Thomas Schonherr**, Stuttgart (DE);  
**Andreas Diefenbach**, Stuttgart (DE);  
**Sven Feustel**, Stuttgart (DE)

(56) **References Cited**

U.S. PATENT DOCUMENTS

(73) Assignee: **Ronbow Corporation**, Fremont, CA  
(US)

D323,631 S *	2/1992	Berg	.....	D10/74
D341,737 S *	11/1993	Shepherd	.....	D6/671.1
D350,042 S *	8/1994	Shepherd	.....	D6/671
D403,894 S *	1/1999	Hutton	.....	D6/671.1
D493,043 S *	7/2004	Juneau	.....	D6/671.1
D519,299 S *	4/2006	Boudreau	.....	D6/657
D529,309 S *	10/2006	Juneau	.....	D6/657
D538,550 S *	3/2007	Canin	.....	D6/671
D554,893 S *	11/2007	Boerner	.....	D6/671.2
D604,959 S *	12/2009	Good	.....	D6/657
D702,061 S *	4/2014	Sengsavang	.....	D6/667
D777,304 S *	1/2017	Esteve	.....	D23/286

(Continued)

(\*\*) Term: **15 Years**

(21) Appl. No.: **29/556,457**

(22) Filed: **Mar. 1, 2016**

(51) **LOC (10) Cl.** ..... **06-04**

(52) **U.S. Cl.**

USPC ..... **D6/663**

(58) **Field of Classification Search**

USPC ..... D13/184; D6/662, 663, 519, 559–561,  
D6/699, 334–336, 349, 351, 352, 358,  
D6/360, 364, 365, 366, 374, 375, 379,  
D6/380, 611, 646, 657, 661, 662.1, 672,  
D6/674, 675, 675.1, 675.3, 683, 683.1,  
D6/685, 691, 691.5, 702, 708, 708.2,  
D6/708.21, 708.25, 716, 716.1–716.4;  
D3/304, 307, 309; D7/333; D23/286,  
D23/343, 313; D24/227–230; D25/48.4,  
D25/113, 163; D12/423, 424; D10/74;  
D18/59

CPC ..... A47B 55/02; A47B 3/00; A47B 81/005;  
A47B 81/00; A47B 67/02; A47B 77/02;  
A47B 47/05; A47B 47/0066; A47B  
87/005; A47B 87/0292; A47B 43/00;  
H05K 9/0062; E05C 19/001; A47G 1/12;

OTHER PUBLICATIONS

“Vanities” May 29, 2014, custommade.com, site visited Mar. 24,  
2017 <<https://www.custommade.com/gallery/custom-bathroom-vanities/>>.\*

*Primary Examiner* — Kevin Rudzinski

*Assistant Examiner* — Paul Bohannon

(74) *Attorney, Agent, or Firm* — Thomas Schneck

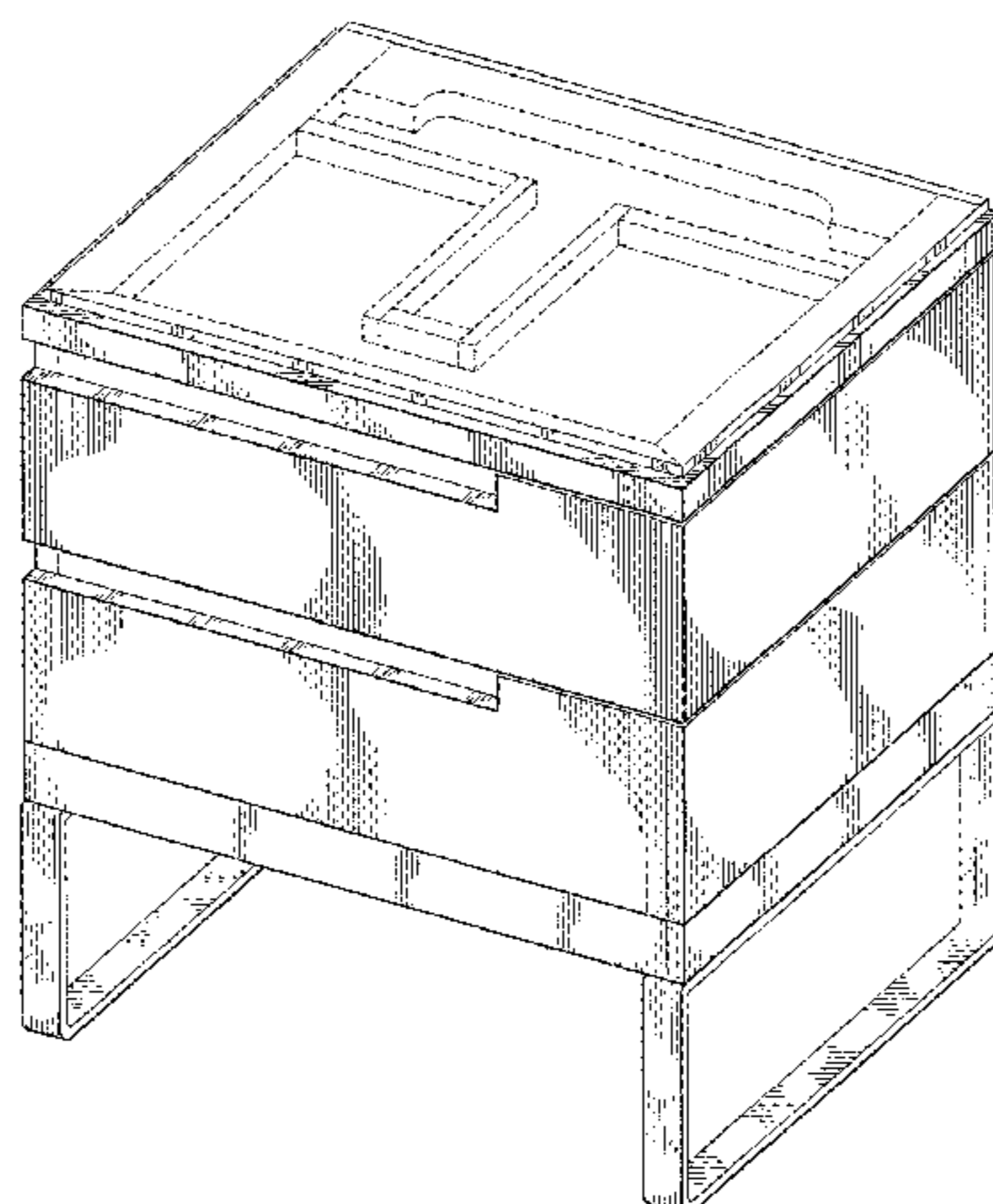
(57) **CLAIM**

We claim the design for a vanity base, as shown and described.

**DESCRIPTION**

FIG. 1 is a front perspective view of the vanity base;  
 FIG. 2 is a top plan view thereof;  
 FIG. 3 is a bottom plan view thereof;  
 FIG. 4 is a front plan view thereof;  
 FIG. 5 is a rear plan view thereof;  
 FIG. 6 is a right side plan view thereof; and,  
 FIG. 7 is a left side plan view thereof.

(Continued)



The broken line showing of a vanity base represents portions of the article that form no part of the claimed design.

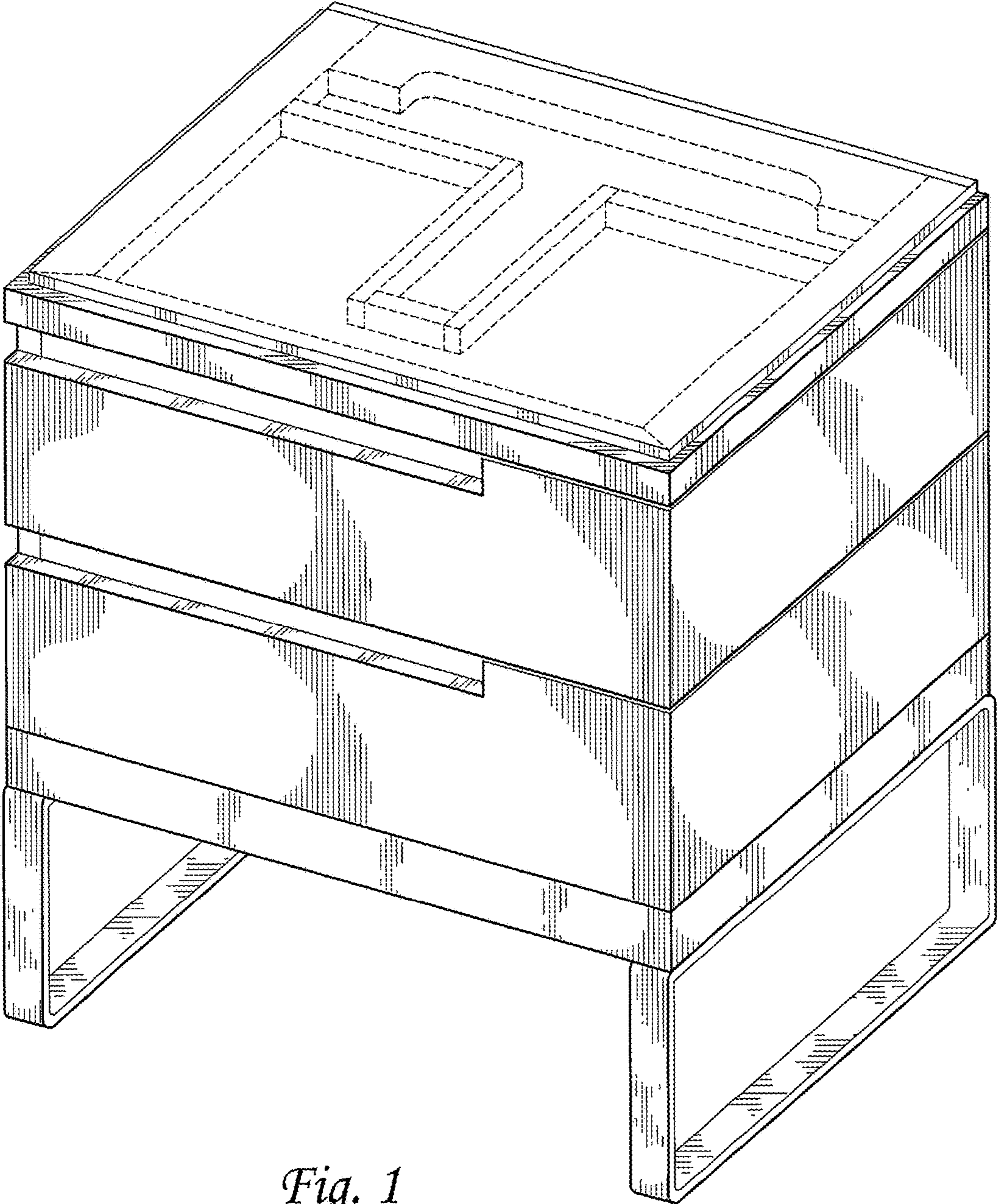
**1 Claim, 4 Drawing Sheets**

(56) **References Cited**

U.S. PATENT DOCUMENTS

2008/0258591 A1\* 10/2008 Chiang ..... A47B 43/00  
312/317.1

\* cited by examiner



*Fig. 1*

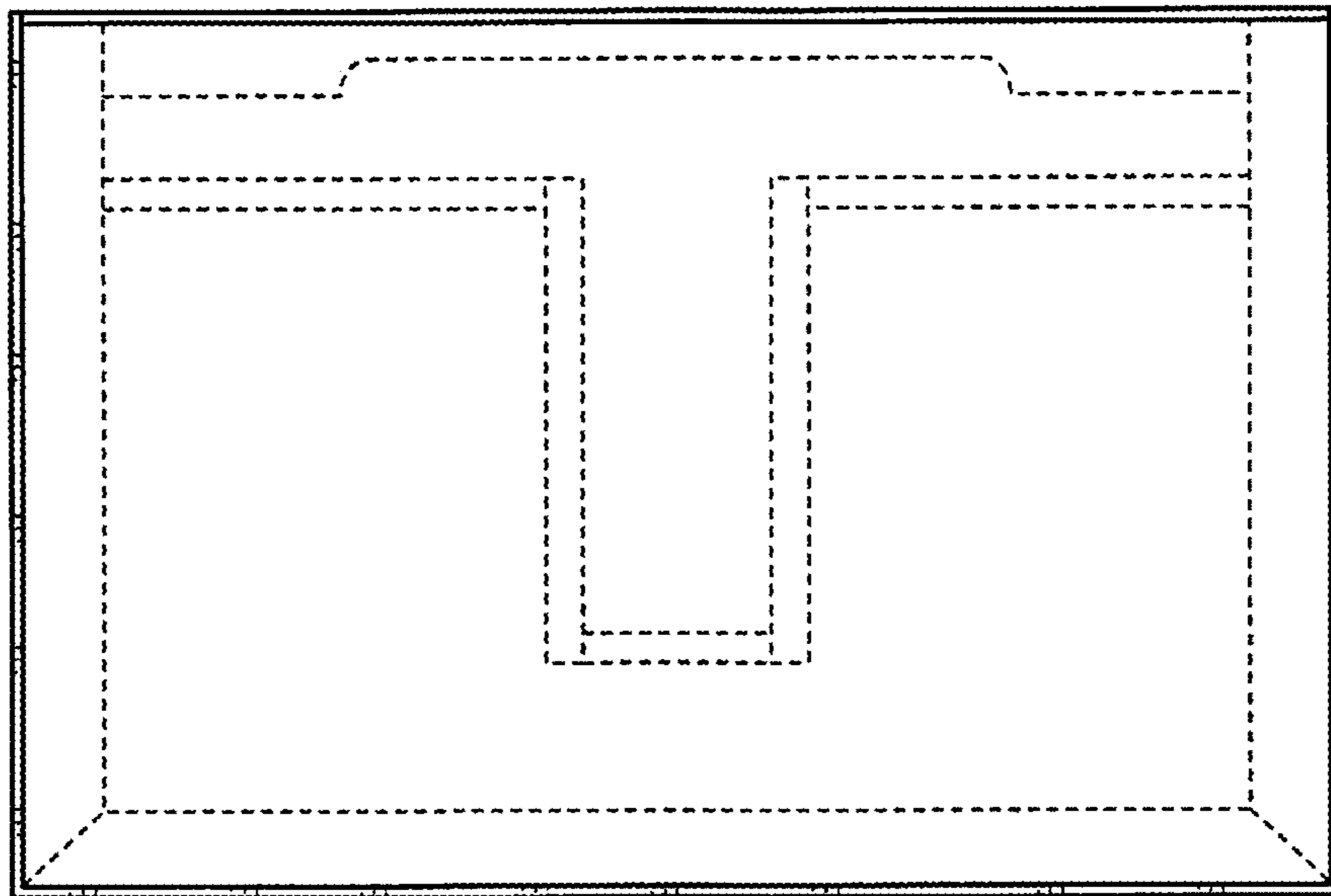


FIG. 2

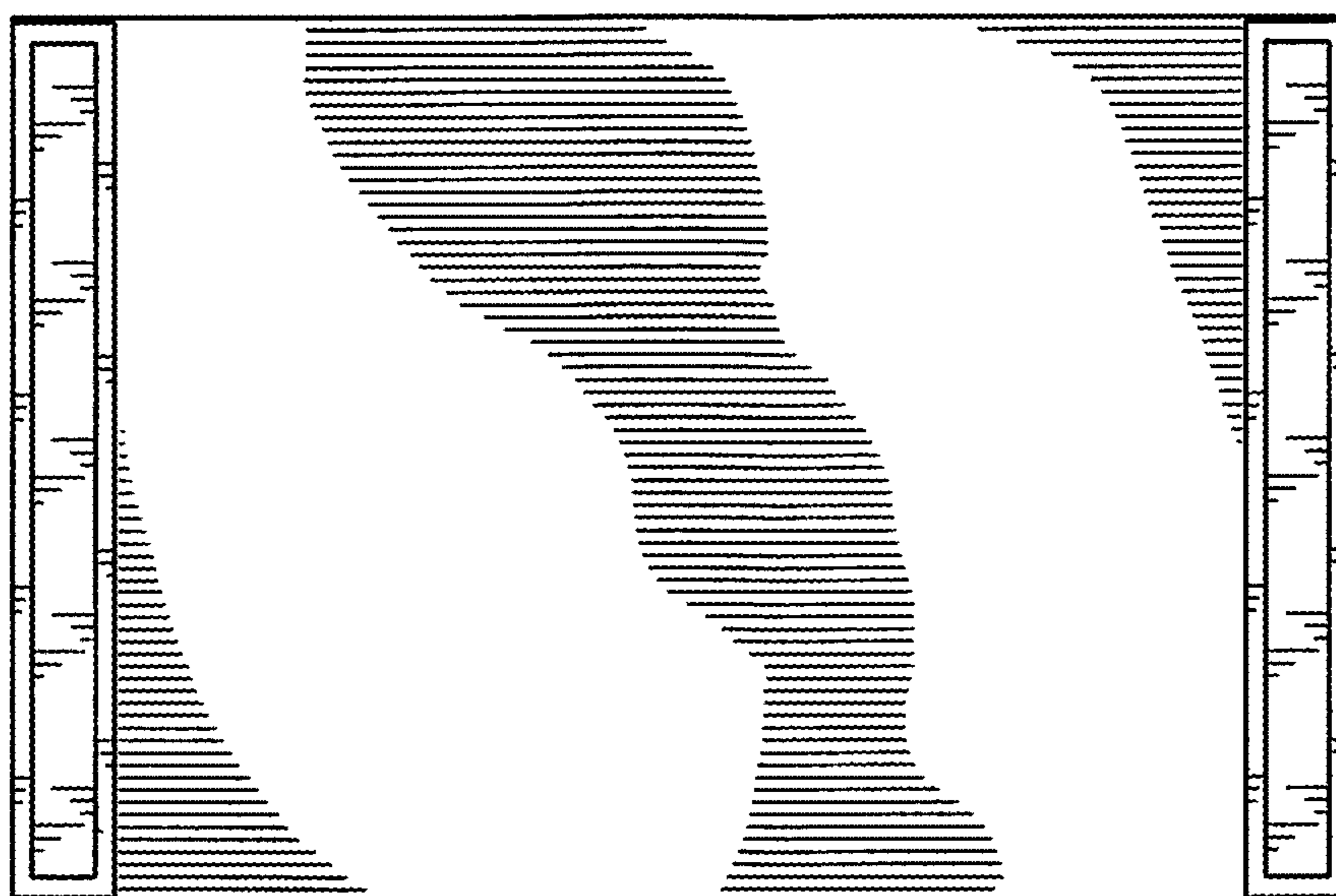
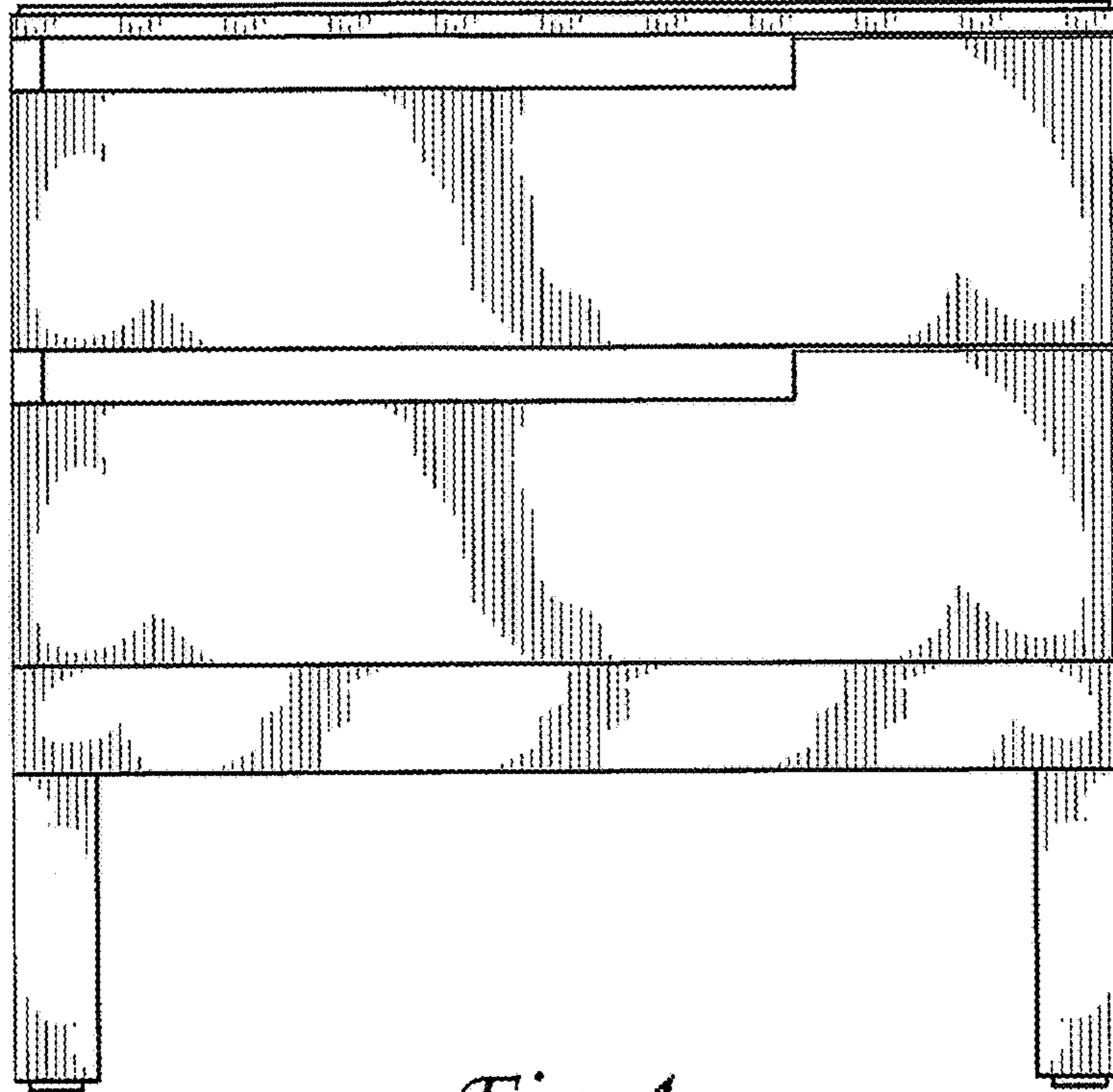
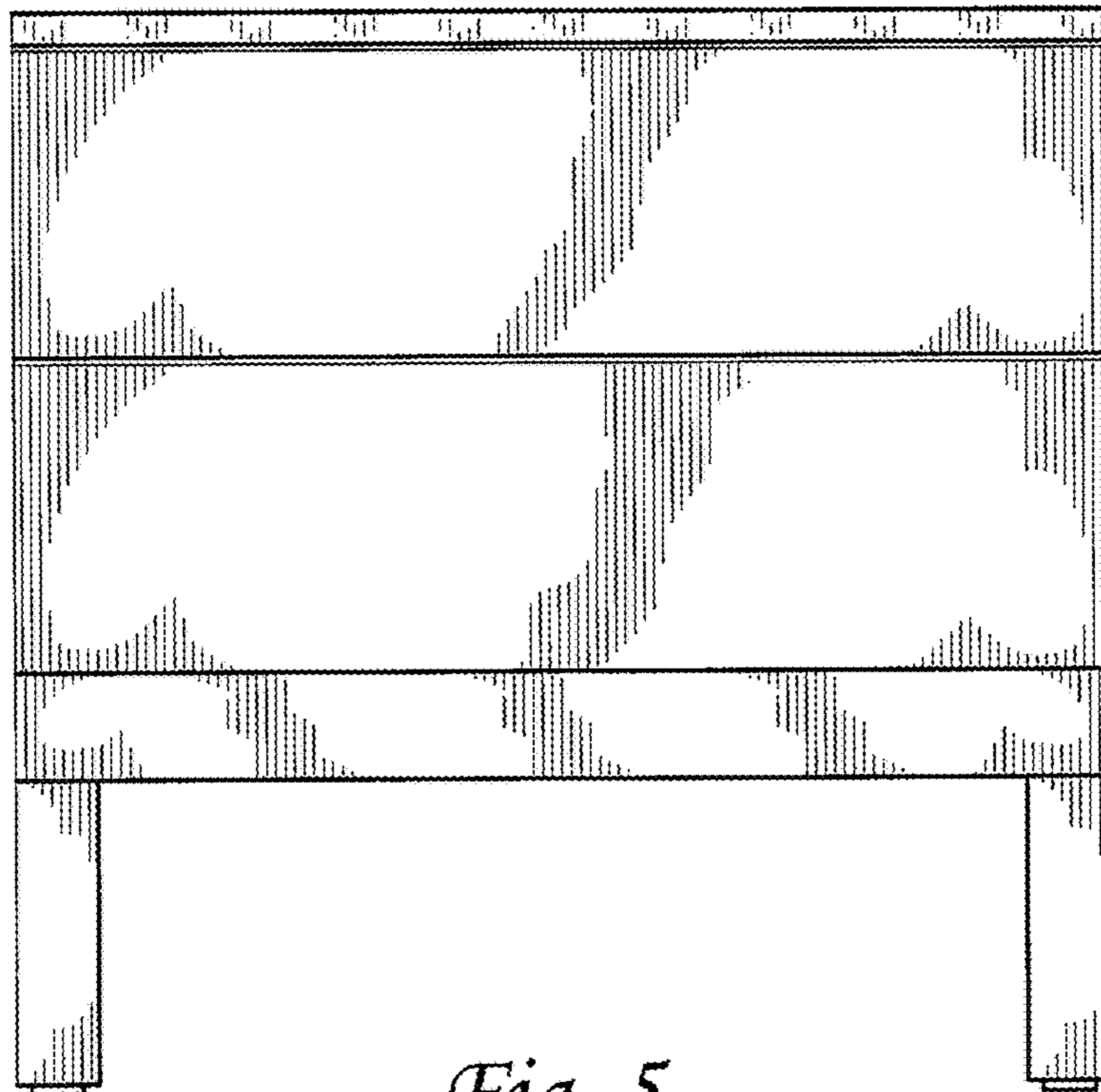


FIG. 3

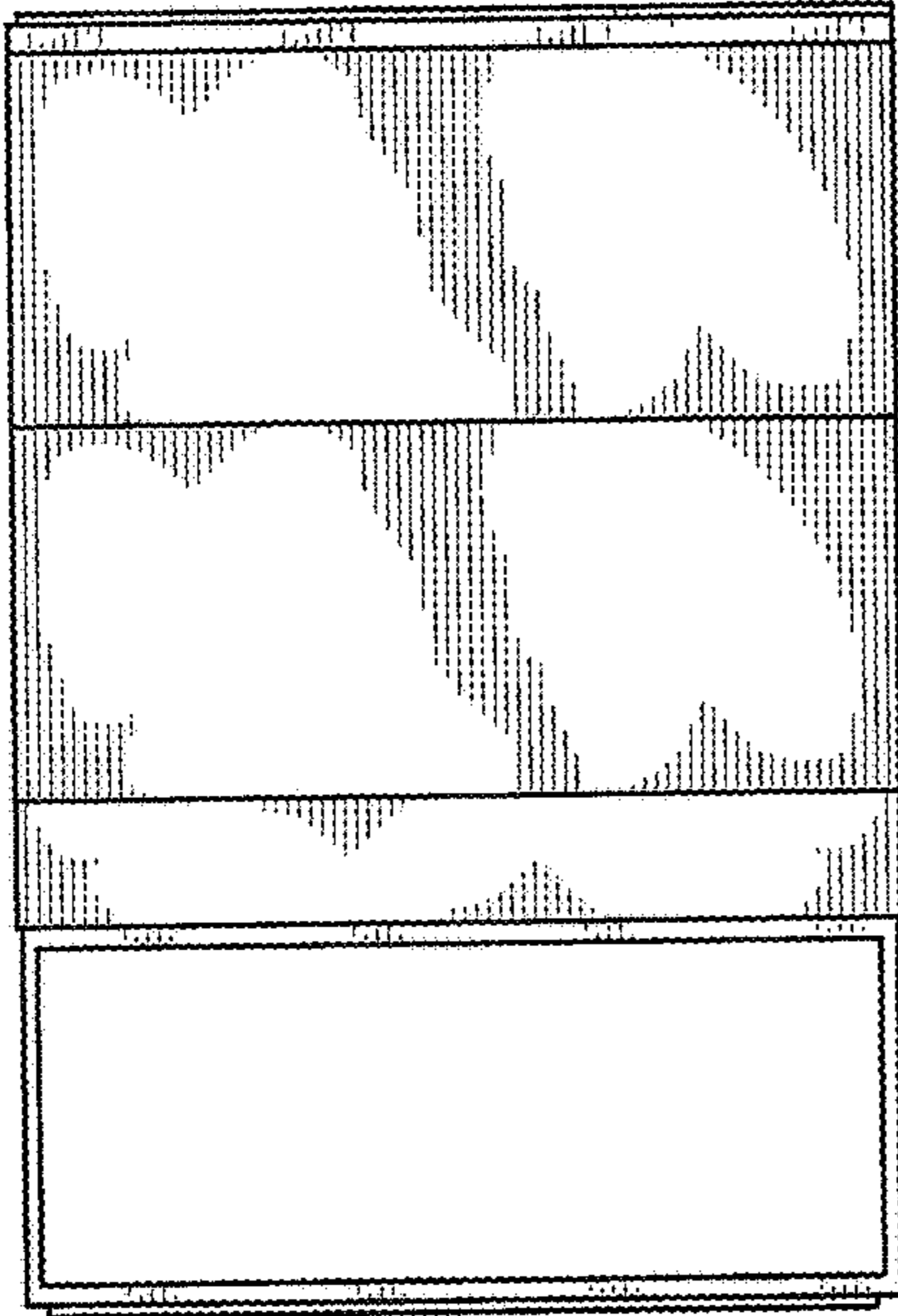




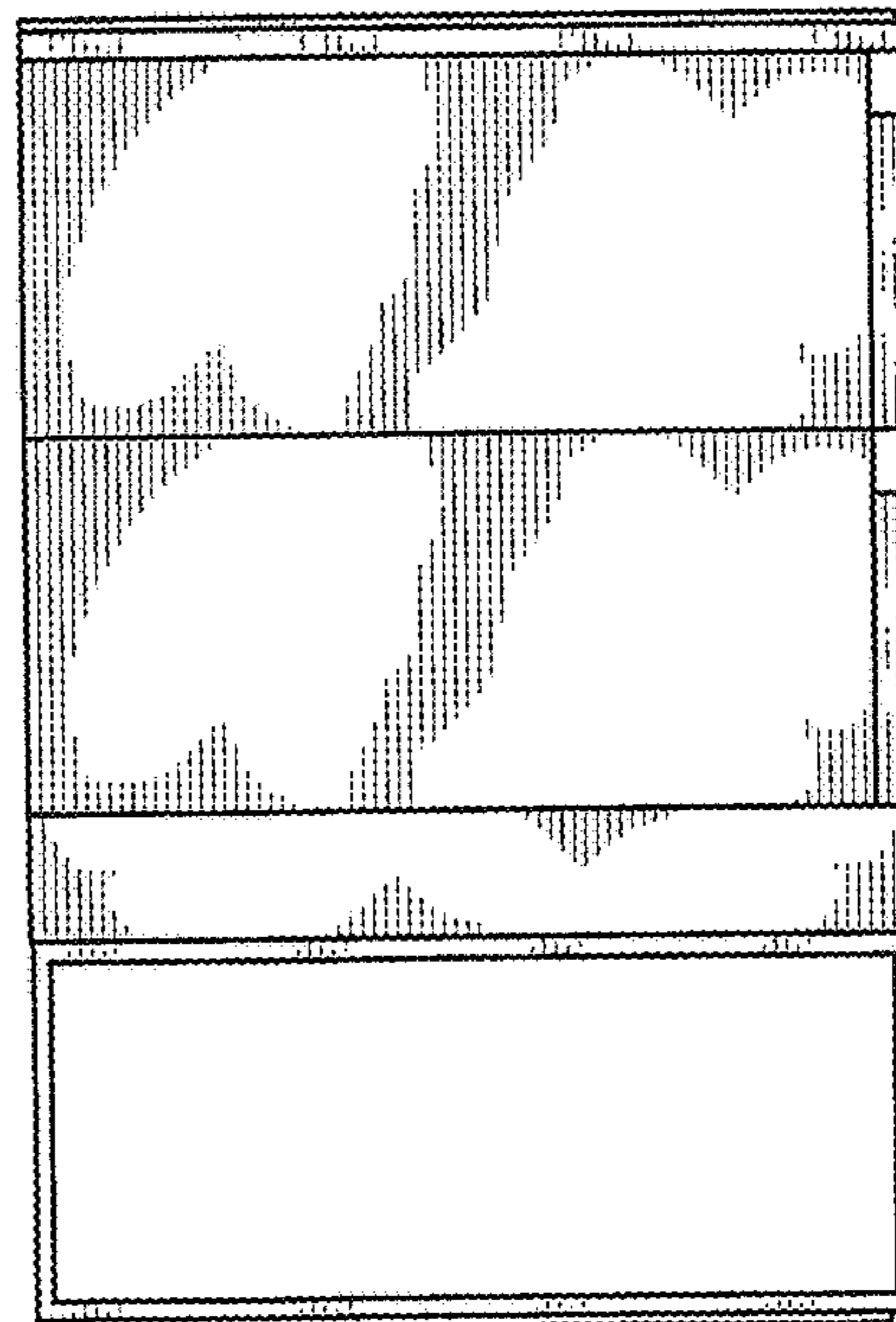
*Fig. 4*



*Fig. 5*



*Fig. 6*



*Fig. 7*