



US00D790882S

(12) **United States Design Patent**  
**Arthur et al.**

(10) **Patent No.:** **US D790,882 S**

(45) **Date of Patent:** **\*\* Jul. 4, 2017**

(54) **WORKSTATION**

(71) Applicant: **Williams-Sonoma, Inc.**, San Francisco, CA (US)

(72) Inventors: **Emily S. Arthur**, Los Angeles, CA (US); **Jeffrey C. Hannoosh**, Brooklyn, NY (US)

(73) Assignee: **Williams-Sonoma, Inc.**, San Francisco, CA (US)

(\*\*) Term: **15 Years**

(21) Appl. No.: **29/555,221**

(22) Filed: **Feb. 19, 2016**

(51) **LOC (10) Cl.** ..... **06-03**

(52) **U.S. Cl.**  
USPC ..... **D6/648**

(58) **Field of Classification Search**  
USPC ..... D6/641, 644, 648, 648.1, 648.2, 648.4, D6/699  
CPC ..... A47B 21/00; A47B 45/00; A47B 17/02; A47B 19/06; A47B 41/02; A47B 2200/0043; A47B 85/02  
See application file for complete search history.

(56) **References Cited**

**U.S. PATENT DOCUMENTS**

D192,009 S \* 1/1962 Deaton ..... D6/648.4  
D192,490 S \* 3/1962 Garth ..... D23/271

D208,412 S \* 8/1967 Bonk ..... D18/39  
D239,751 S \* 5/1976 Fusselman et al. .... D6/657  
D259,686 S \* 6/1981 West ..... D6/671.1  
D476,503 S \* 7/2003 Chesser ..... D6/641  
D526,812 S \* 8/2006 Chen ..... D6/648.4  
D626,759 S \* 11/2010 Joh ..... D6/648.1  
D627,577 S \* 11/2010 Joh ..... D6/648.1  
D648,568 S \* 11/2011 Cortivo ..... D6/648  
D724,356 S \* 3/2015 Weatherly ..... D6/661  
D742,149 S \* 11/2015 Leduc ..... D6/705

\* cited by examiner

*Primary Examiner* — Rosemary K Tarcaza

*Assistant Examiner* — Alison Ofstun

(74) *Attorney, Agent, or Firm* — Cook Alex Ltd.; R. Blake Johnston

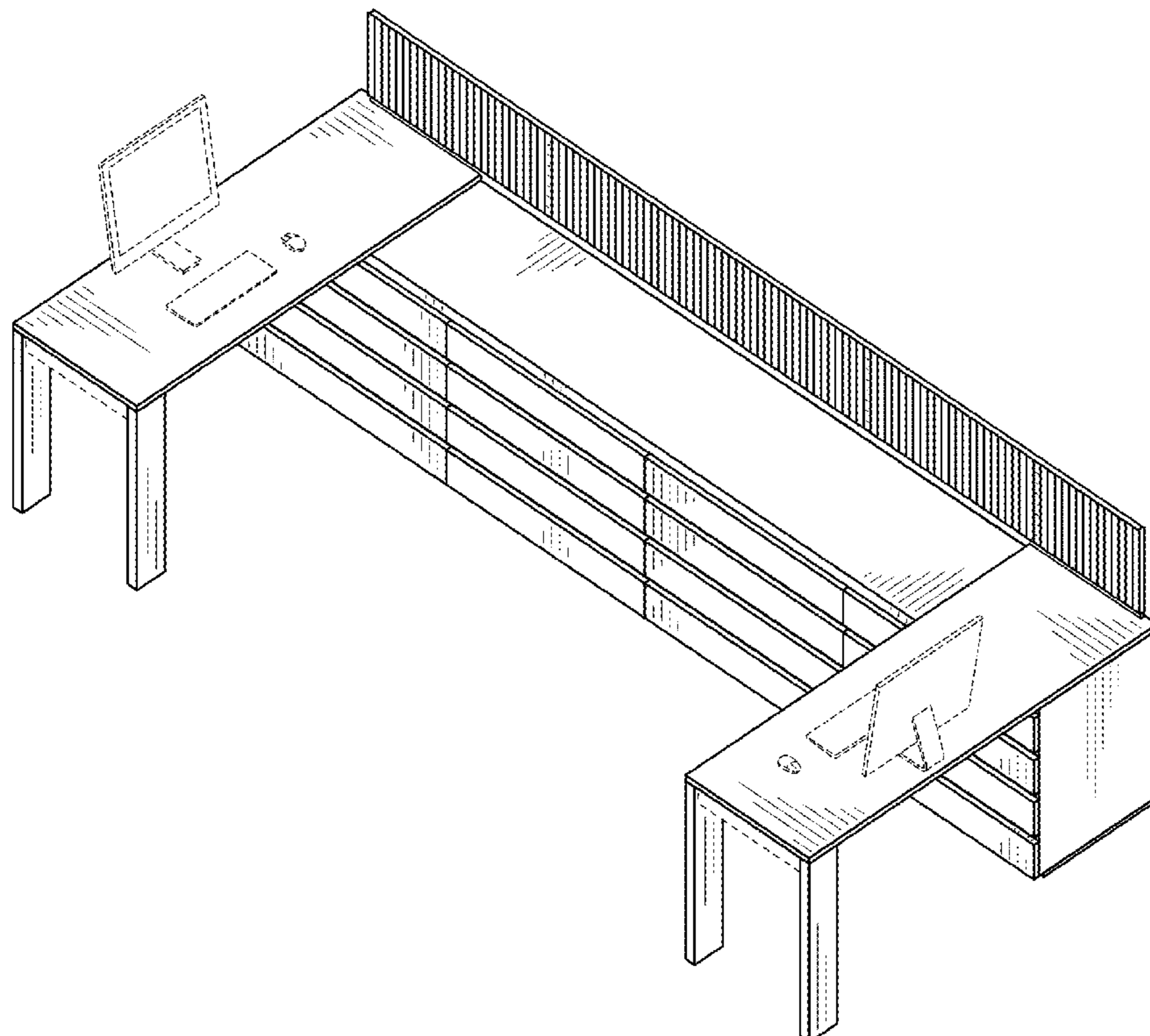
(57) **CLAIM**

The ornamental design for a workstation, as shown and described.

**DESCRIPTION**

FIG. 1 is a perspective view of the workstation; FIG. 2 is a front elevational view of the workstation; FIG. 3 is a rear elevational view of the workstation; FIG. 4 is a left side elevational view of the workstation; FIG. 5 is a right side elevational view of the workstation; FIG. 6 is a top plan view of the workstation; and, FIG. 7 is a bottom plan view of the workstation. The broken lines in the figures represent portions of the article which form no part of the claim.

**1 Claim, 6 Drawing Sheets**



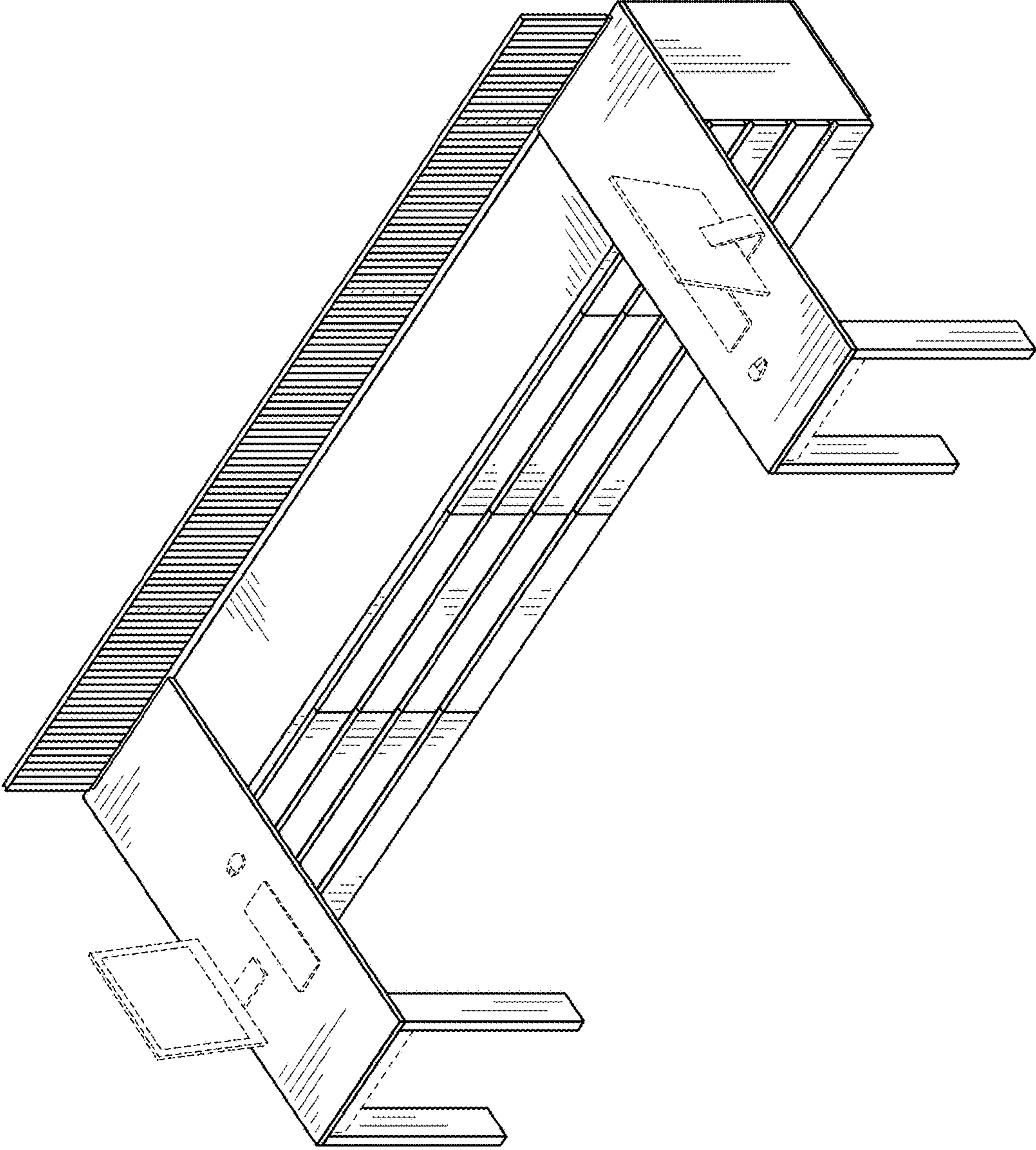


FIG. 1

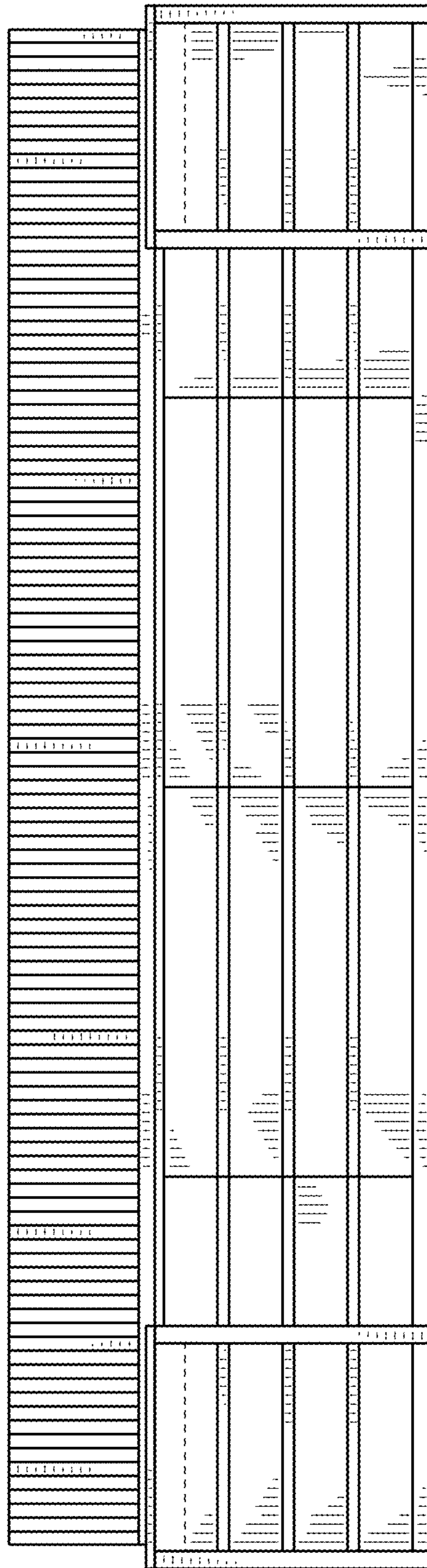


FIG. 2

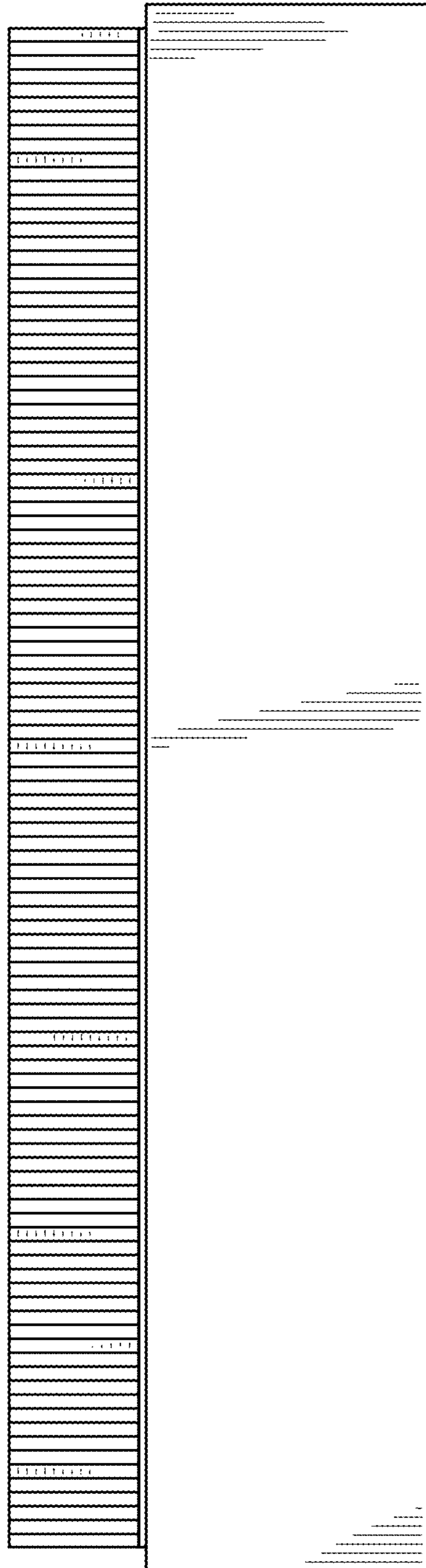


FIG. 3

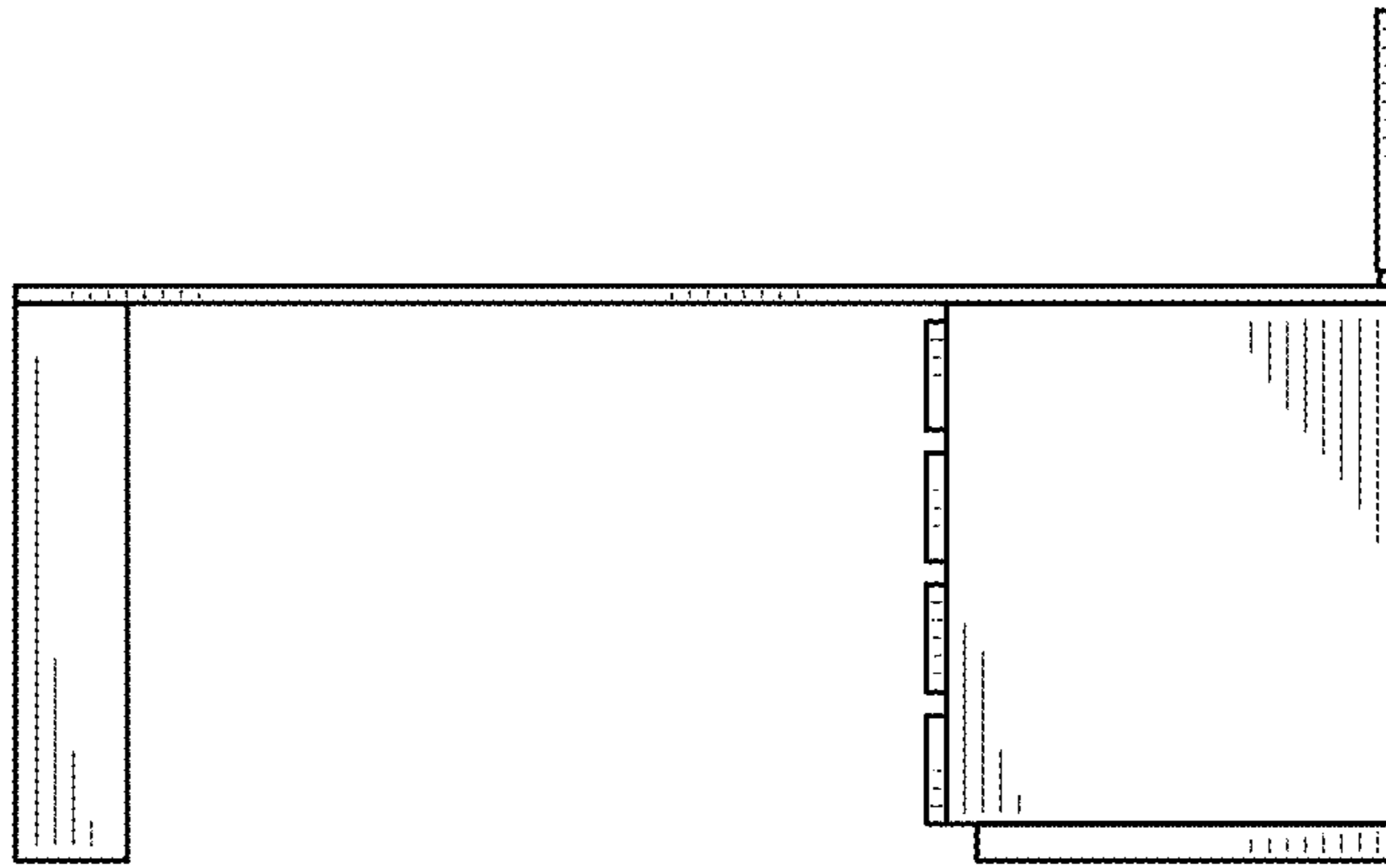


FIG. 4

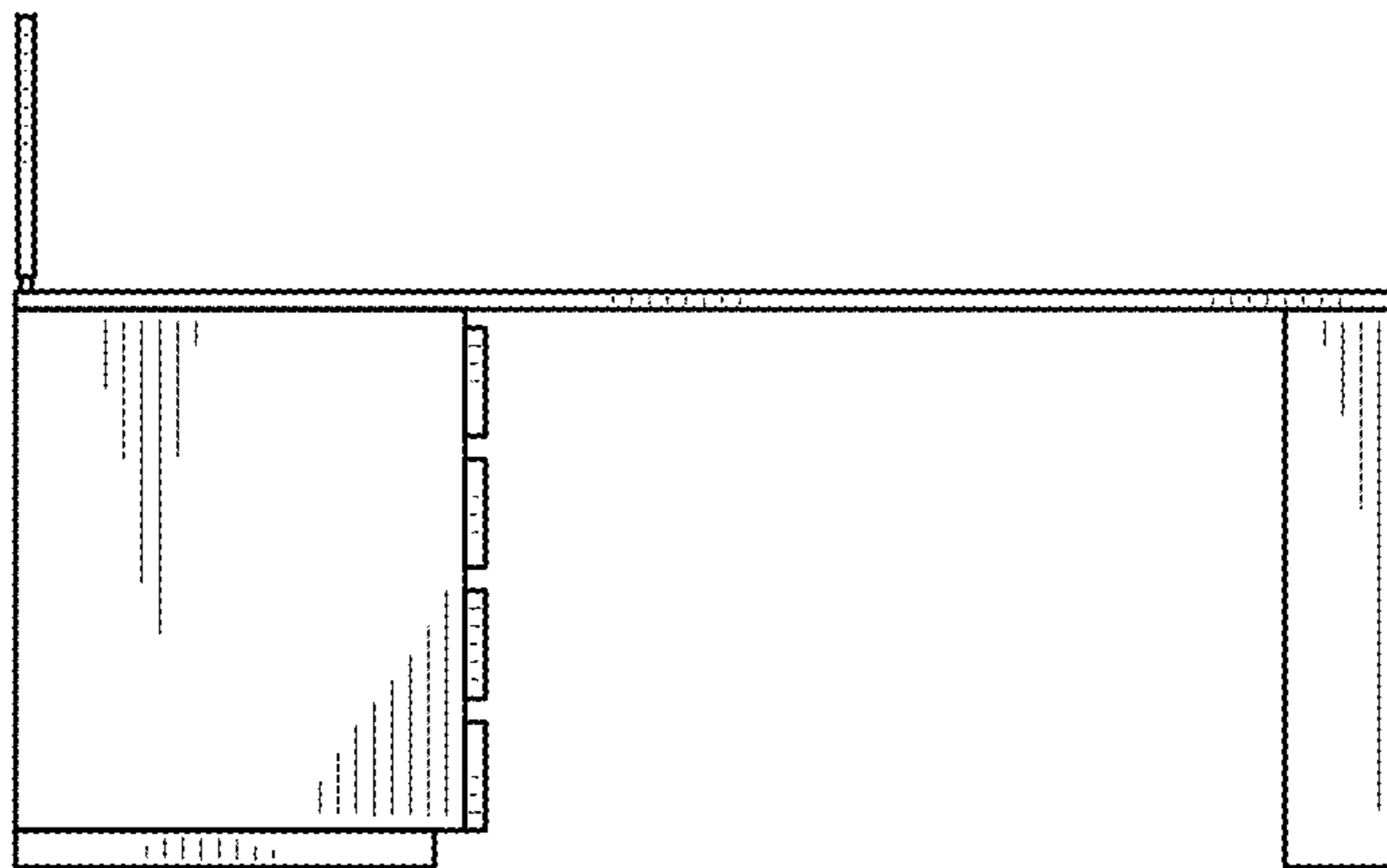


FIG. 5

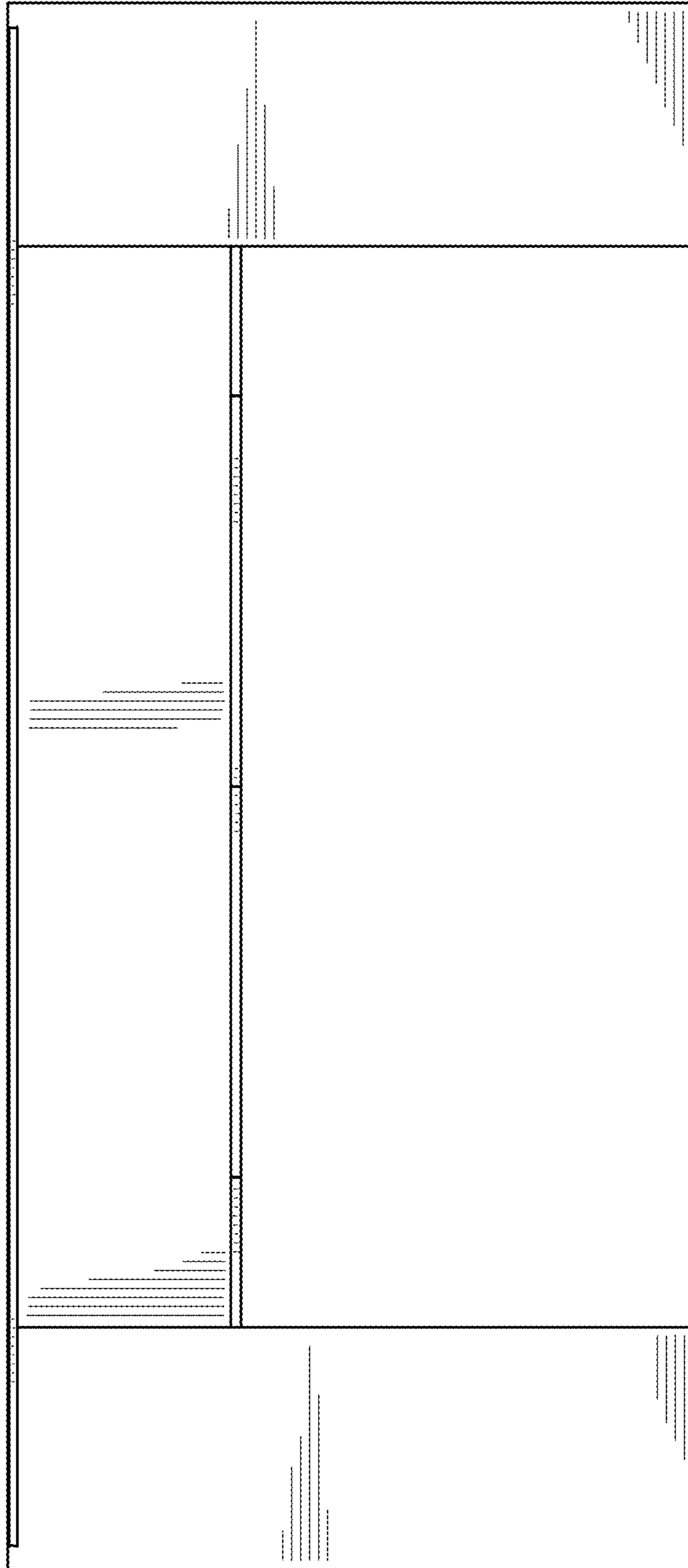


FIG. 6



FIG. 7