



US00D790879S

(12) **United States Design Patent** (10) **Patent No.:** **US D790,879 S**
Maggard et al. (45) **Date of Patent:** **** Jul. 4, 2017**

(54) **SAGGING CUSHION RESTORATION DEVICE**

(71) Applicants: **Belinda A. Maggard**, Paintsville, KY (US); **James S. Maggard**, Paintsville, KY (US)

(72) Inventors: **Belinda A. Maggard**, Paintsville, KY (US); **James S. Maggard**, Paintsville, KY (US)

(**) Term: **14 Years**

(21) Appl. No.: **29/523,851**

(22) Filed: **Apr. 14, 2015**

(51) **LOC (10) Cl.** **06-09**

(52) **U.S. Cl.**
USPC **D6/601**

(58) **Field of Classification Search**
USPC D6/333, 349, 355, 375, 388, 512, 563, D6/564, 595, 596, 601, 604, 611, 707, D6/715, 716, 716.1; D24/183-185, 234; D21/803, 804, 805, 809; 5/401, 420, 5/600, 630, 631, 632, 633, 635, 636, 638, 5/639, 646, 652, 652.1, 655, 703, 730; 297/1, 2, 4, 93, 180.11, 195.1, 195.11, 297/195.13, 393, 397, 452.12, 452.14, 297/452.15, 452.21, 452.24, 452.26, 297/452.48, 452.62, 482
CPC A47G 9/10; A47G 9/1009; A47G 9/1018; A47G 9/1027; A47G 9/1036; A47G 9/1045; A47G 9/1063; A47G 9/1072; A47G 9/1081; A47G 9/109; A47C 7/021; A47C 27/00

See application file for complete search history.

(56) **References Cited**

U.S. PATENT DOCUMENTS

D314,805 S * 2/1991 Thomas D21/809
D484,350 S * 12/2003 Miller D6/368

D549,496 S * 8/2007 Stringfellow D6/601
D658,187 S * 4/2012 Diebel G06F 1/1628
D14/440
D685,211 S * 7/2013 Vega-Woller D6/596
D691,143 S * 10/2013 Diebel D14/440
D701,062 S * 3/2014 Kinsella D6/582
D713,048 S * 9/2014 Ogaki D24/200
D728,271 S * 5/2015 Cohen D6/601
D740,904 S * 10/2015 Santaw D21/803
D746,613 S * 1/2016 DeRosa D6/601
D750,632 S * 3/2016 Diebel D14/440
D751,981 S * 3/2016 Lin D13/103
D751,983 S * 3/2016 Lin D13/103
D763,450 S * 8/2016 Maus D24/184
D765,201 S * 8/2016 Gibson D21/803

(Continued)

Primary Examiner — Eric Goodman

Assistant Examiner — Sanjeev Paul

(74) *Attorney, Agent, or Firm* — ATLawip LLC; Jeffrey T. Breloski

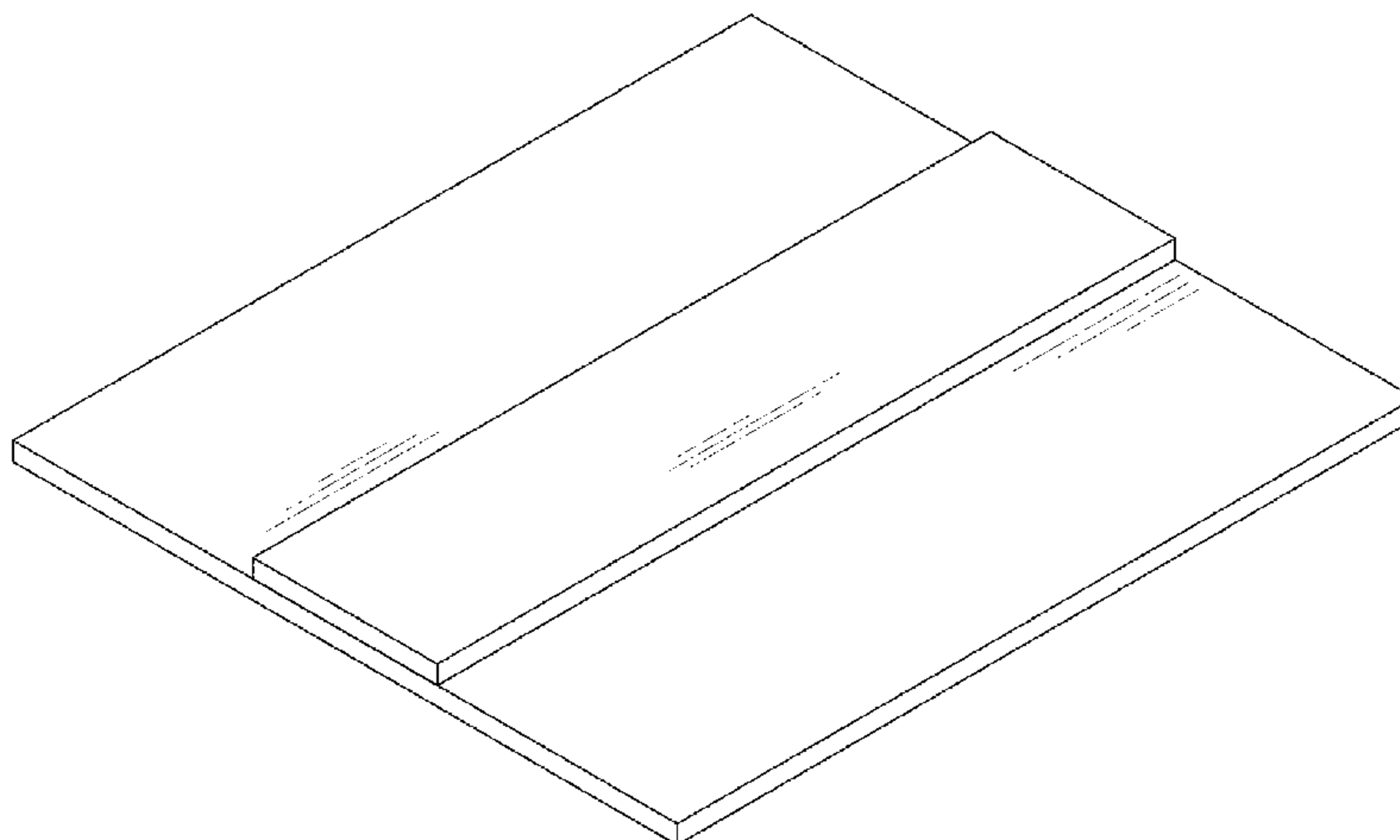
(57) **CLAIM**

The ornamental design for a sagging cushion restoration device, as shown and described.

DESCRIPTION

FIG. 1 is a perspective view of a sofa restoration pad showing our new design;
FIG. 2 is a top plan view thereof;
FIG. 3 is a left side elevational view thereof, the right side being a mirror image;
FIG. 4 is a front side elevational view thereof, the rear side being a minor image;
FIG. 5 is a bottom plan view thereof; and,
FIG. 6 is a top perspective view of a sofa restoration pad partly inserted into a sofa cushion.
The broken line showing of a sofa cushion and couch in FIG. 6 is included for the purpose of showing environmental structure and forms no part of the claimed design.

1 Claim, 6 Drawing Sheets



(56)

References Cited

U.S. PATENT DOCUMENTS

D769,451 S	*	10/2016	MacMillan	D24/190
D777,472 S	*	1/2017	Forman	D6/596
D778,636 S	*	2/2017	Brzozowski	D6/582
D779,855 S	*	2/2017	Trongone	D6/595
D779,856 S	*	2/2017	Rich	D6/601

* cited by examiner

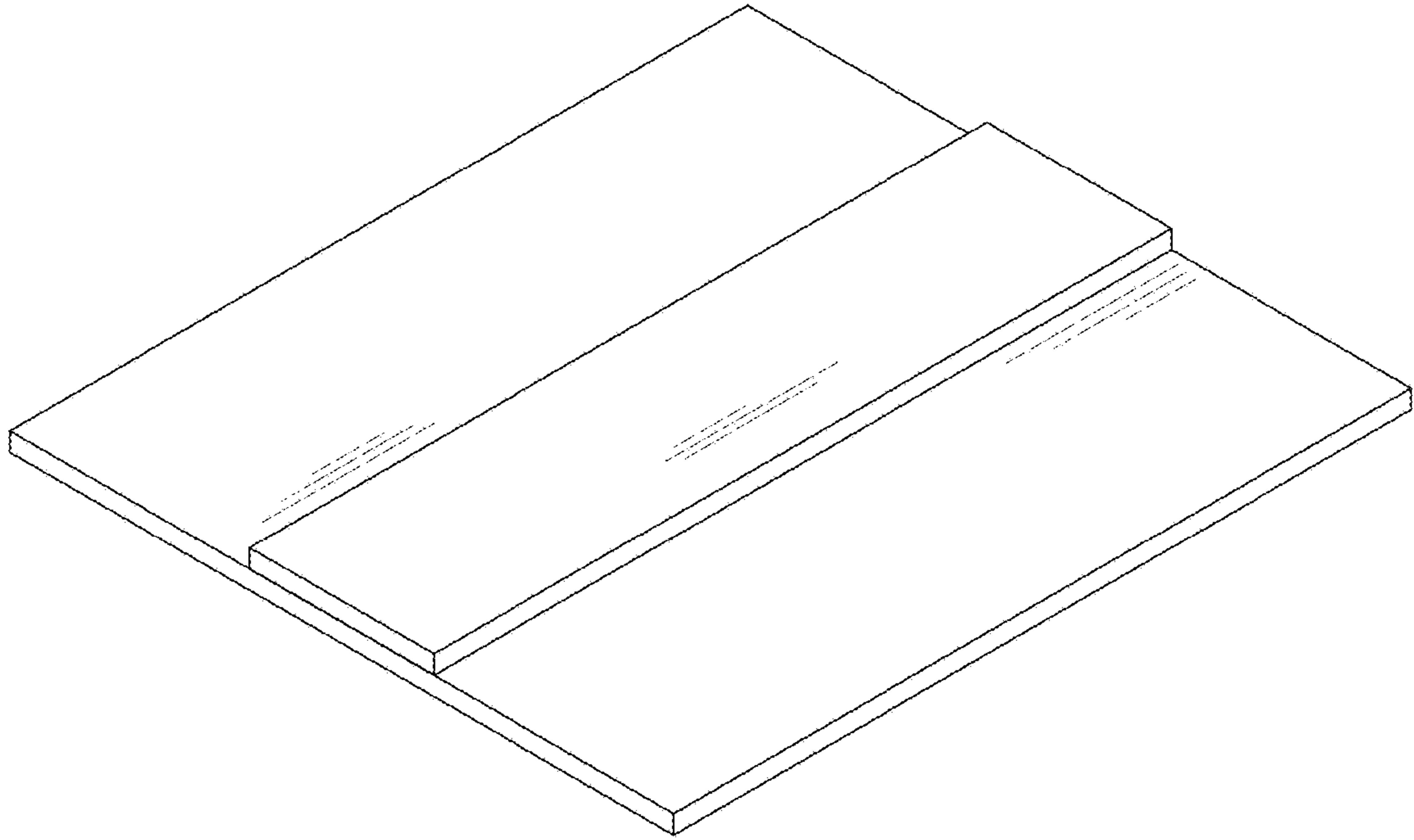


FIG. 1

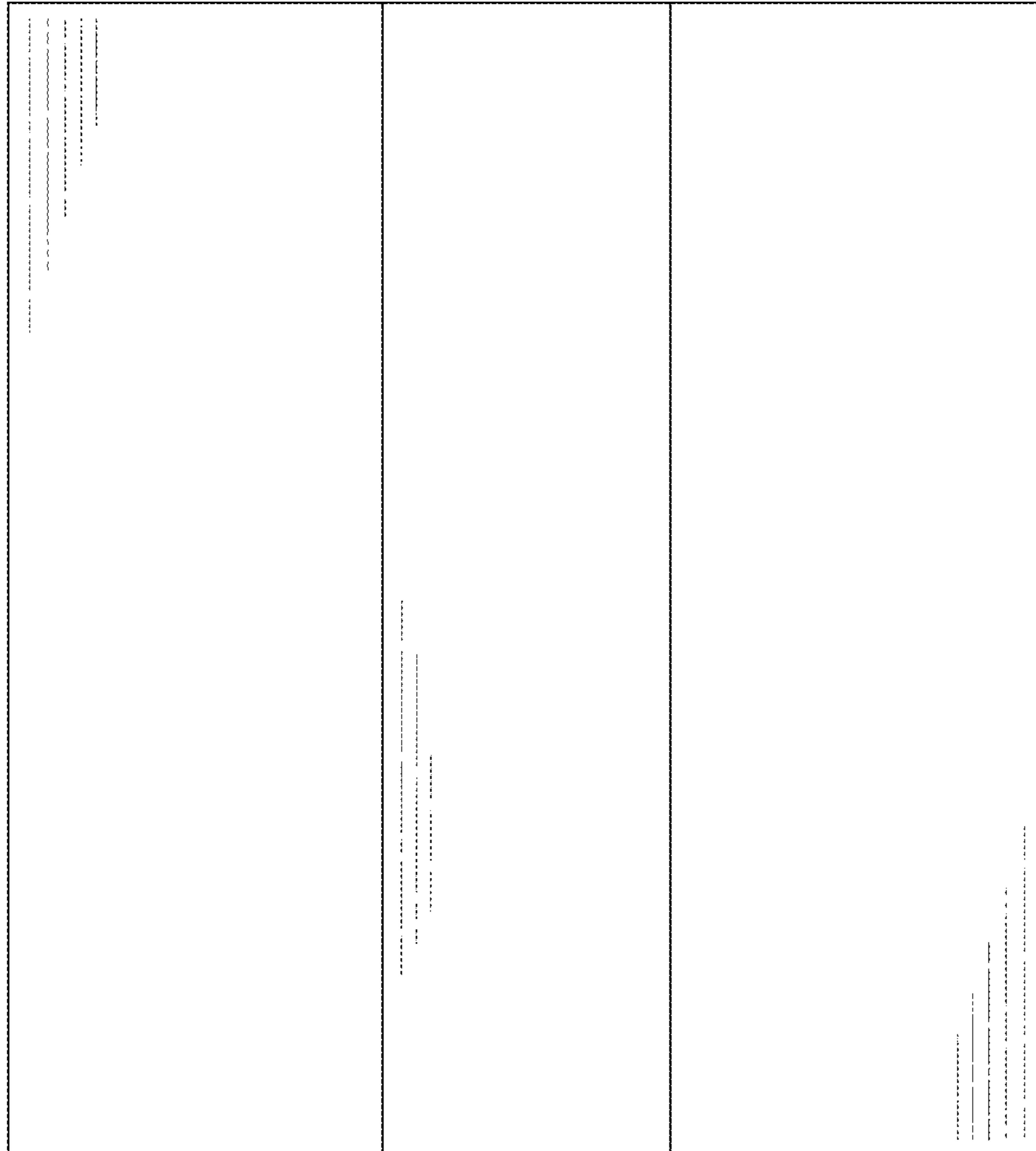


FIG. 2

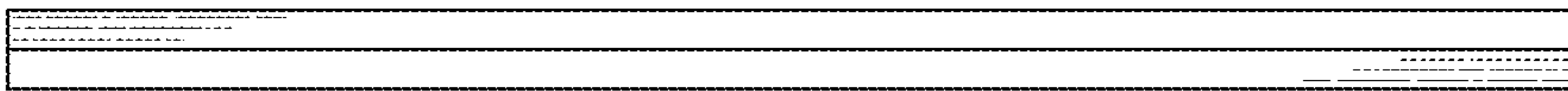


FIG. 3

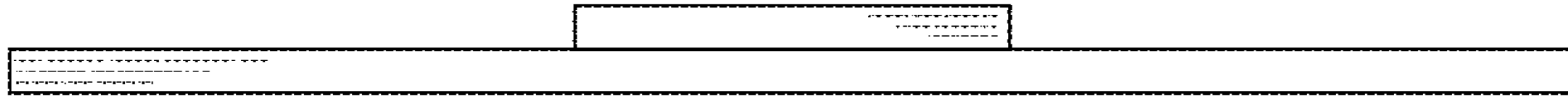


FIG. 4

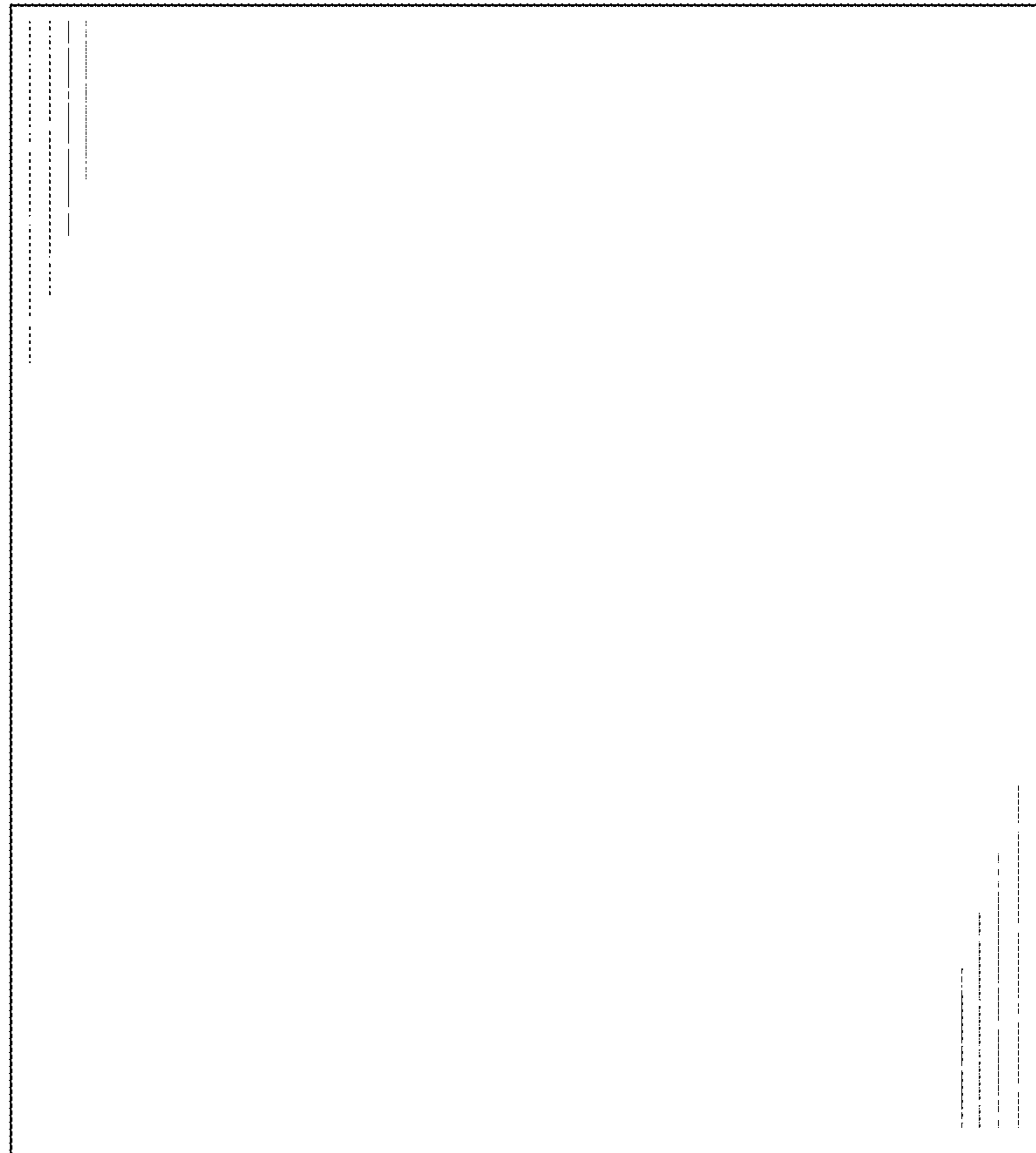


FIG. 5

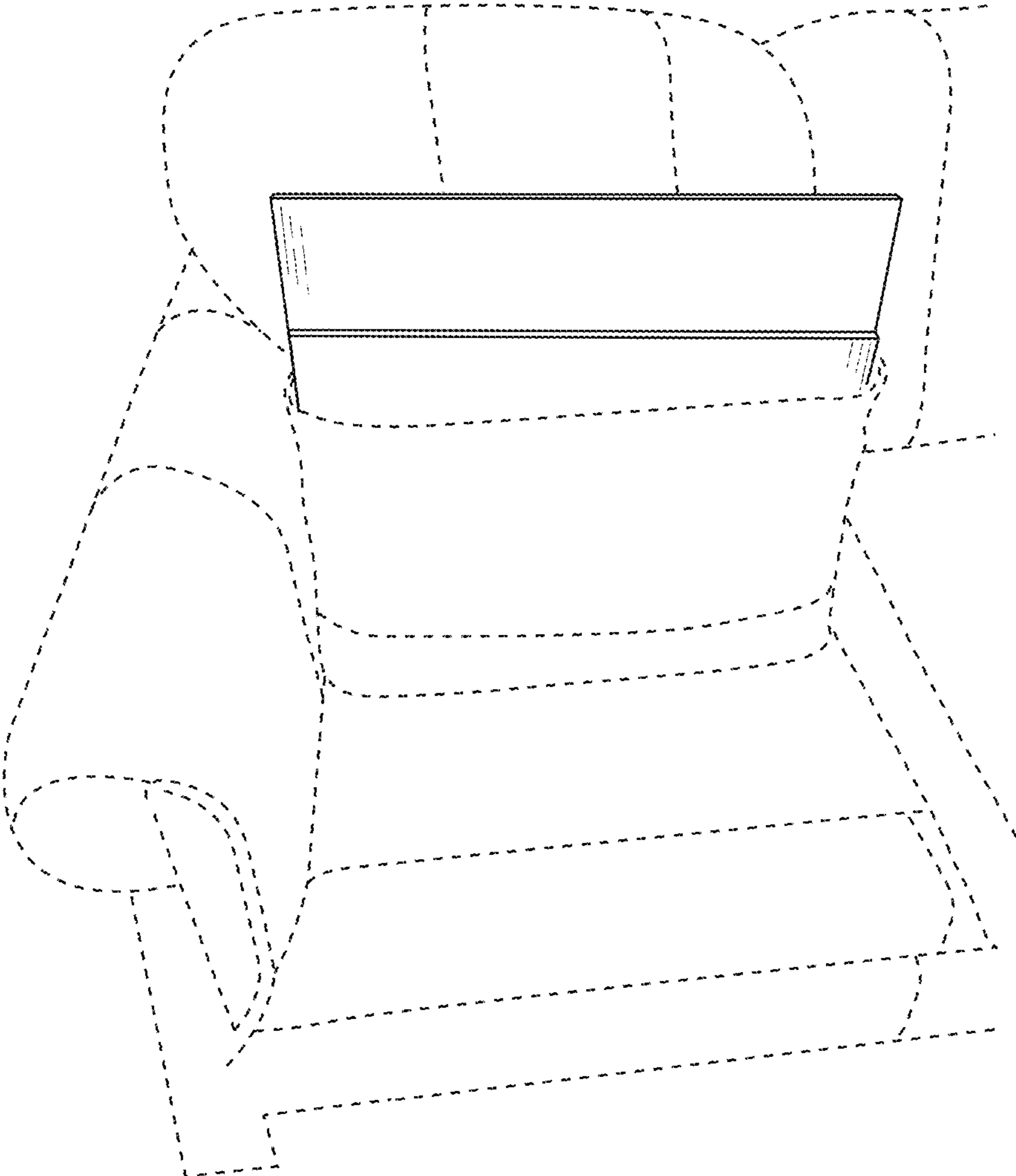


FIG. 6