



US00D790875S

(12) **United States Design Patent** (10) **Patent No.:** **US D790,875 S**
Eads (45) **Date of Patent:** **** Jul. 4, 2017**

(54) **TISSUE HOLDER**
(71) Applicant: **DELTA FAUCET COMPANY**,
Indianapolis, IN (US)
(72) Inventor: **Thad Eads**, North Manchester, IN (US)
(73) Assignee: **DELTA FAUCET COMPANY**,
Indianapolis, IN (US)
(**) Term: **15 Years**
(21) Appl. No.: **29/551,227**
(22) Filed: **Jan. 12, 2016**
(51) **LOC (10) Cl.** **06-04**
(52) **U.S. Cl.**
USPC **D6/546**
(58) **Field of Classification Search**
USPC D6/518-523, 546, 549; 206/389;
211/123, 124; 242/520, 555, 595, 597;
248/309.1, 309.2
CPC A47K 10/12; A47K 10/38; A47K 10/22;
A47K 10/40; A47K 2010/3233; A47K
2010/3863
See application file for complete search history.

D521,288 S * 5/2006 Barry D6/523
D521,291 S * 5/2006 Ferrer Beltran D6/546
D521,292 S * 5/2006 Ferrer Beltran D6/546
D522,294 S * 6/2006 Ferrer Beltran D6/523
D522,295 S * 6/2006 Ferrer Beltran D6/546
D523,272 S * 6/2006 Ferrer Beltran D6/546
D523,273 S * 6/2006 Ferrer Beltran D6/546
D540,593 S * 4/2007 Hoernig D6/523
D550,489 S * 9/2007 Williams D6/523
D573,821 S * 7/2008 Rubin D6/523
D621,646 S * 8/2010 De Bonis D6/523
D683,987 S * 6/2013 Bickler D6/523
D764,207 S * 8/2016 Goodman D6/522
D766,613 S * 9/2016 Citterio D6/523
D767,727 S * 9/2016 Eads D23/242
D767,730 S * 9/2016 Eads D23/252
2009/0078815 A1 * 3/2009 Tong A47K 10/3836
242/557

* cited by examiner

Primary Examiner — David Muller
Assistant Examiner — Nathan Johnston
(74) *Attorney, Agent, or Firm* — Edgar A. Zarins; Nirav D. Parikh

(57) **CLAIM**

The ornamental design for a tissue holder, as shown and described.

(56) **References Cited**

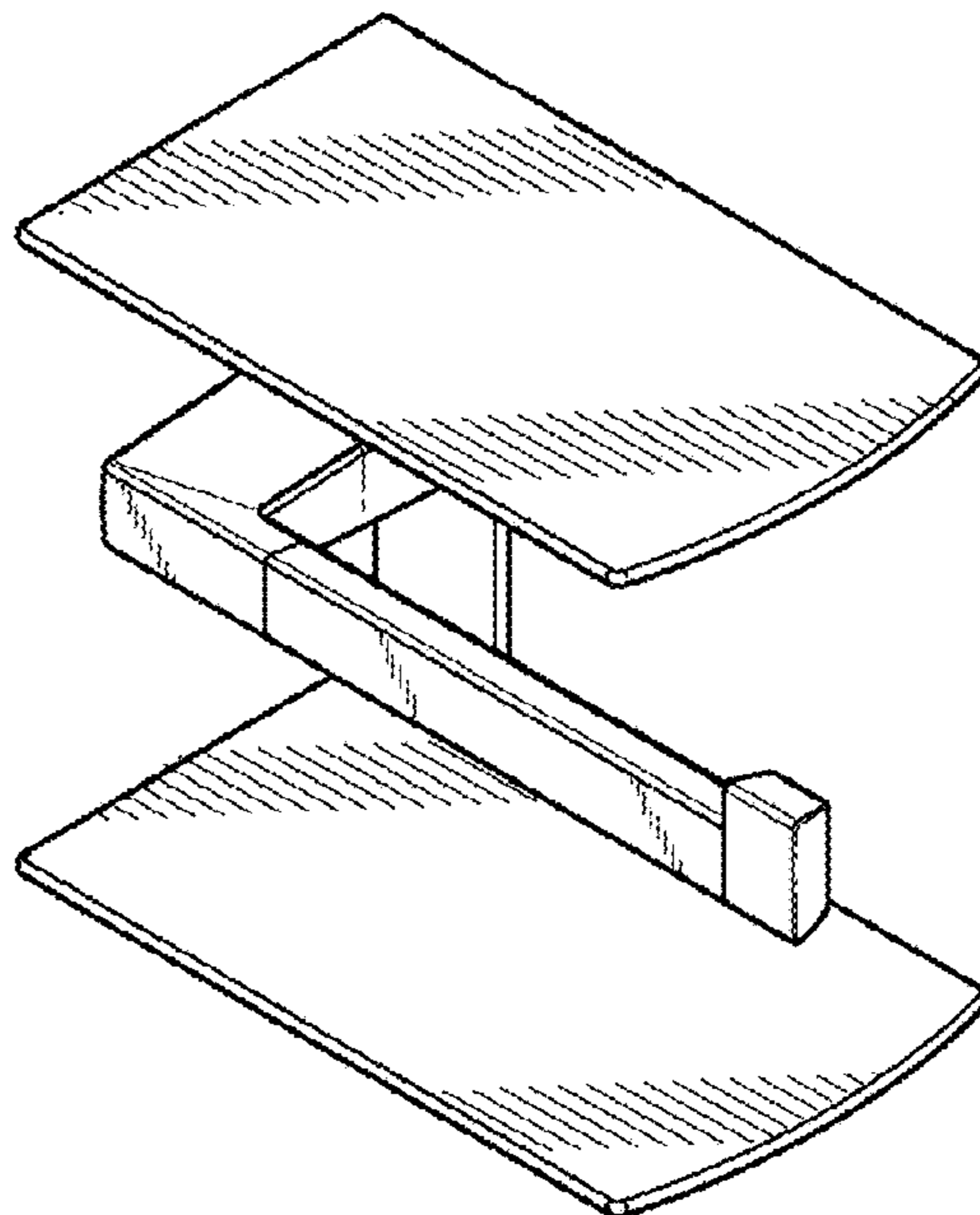
U.S. PATENT DOCUMENTS

D374,585 S * 10/1996 Moon D6/523
D398,466 S * 9/1998 Odom D6/521
D450,503 S * 11/2001 Gottwald D6/523
D455,587 S * 4/2002 Ou-Young D6/523
D471,748 S * 3/2003 Moore D6/523
D520,279 S * 5/2006 Ferrer Beltran D6/523
D520,280 S * 5/2006 Ferrer Beltran D6/523
D520,787 S * 5/2006 Ferrer Beltran D6/523
D520,788 S * 5/2006 Hoernig D6/546

DESCRIPTION

FIG. 1 is a perspective view of a tissue holder showing my new design;
FIG. 2 is a top plan view thereof;
FIG. 3 is a front elevation view thereof;
FIG. 4 is a rear elevation view thereof;
FIG. 5 is a right side elevation view thereof; and,
FIG. 6 is a left side elevation view thereof.

1 Claim, 2 Drawing Sheets



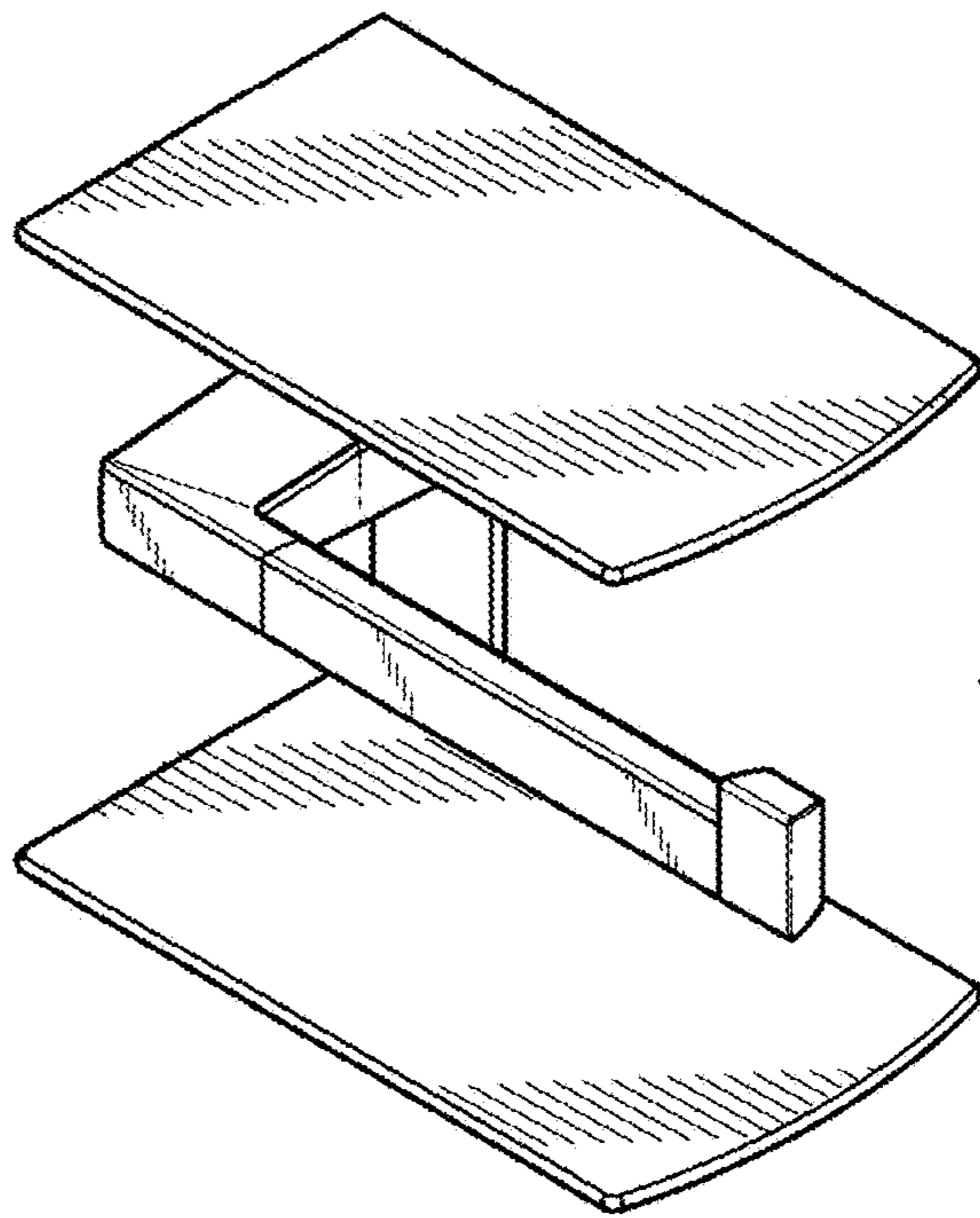


Fig-1

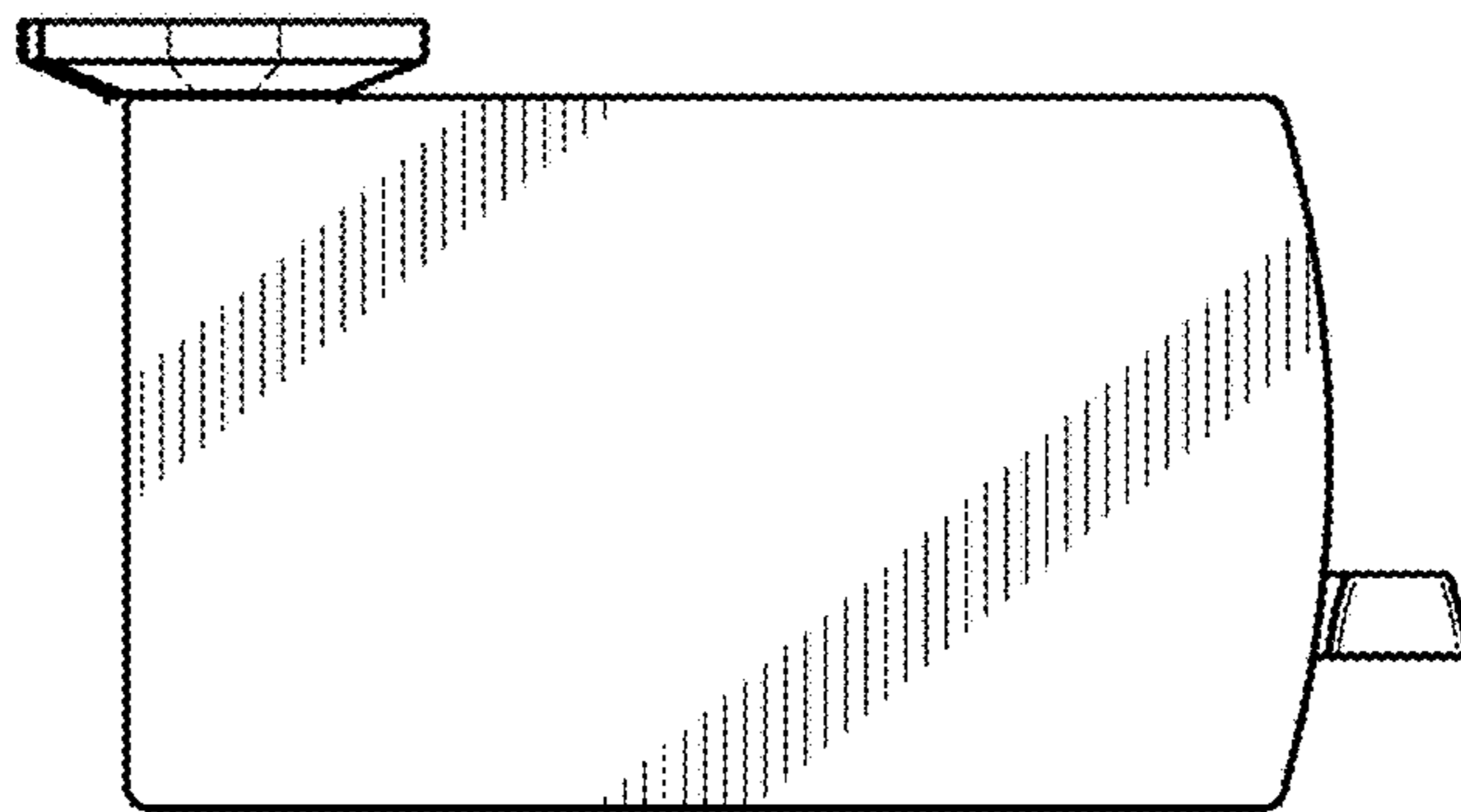


Fig-2

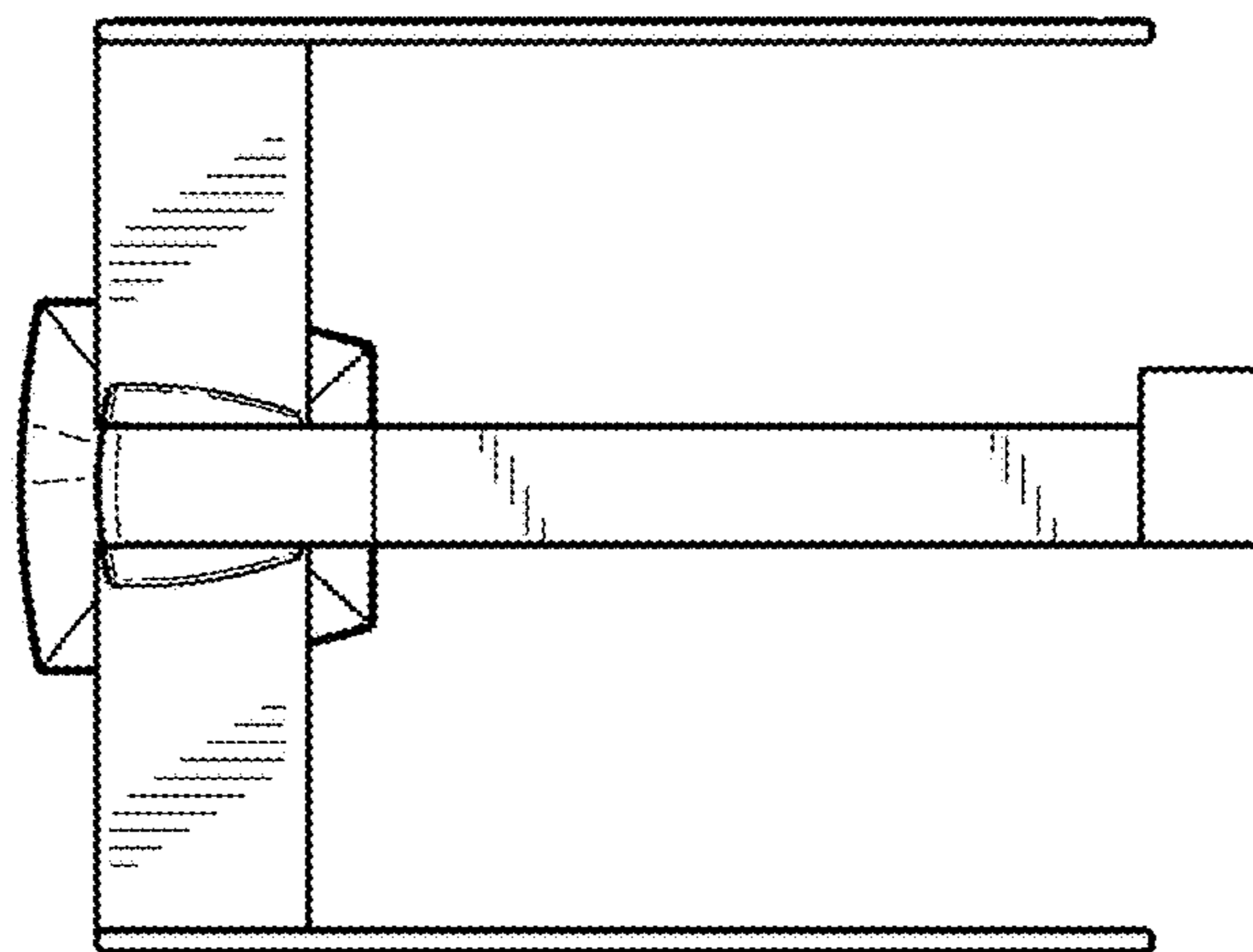


Fig-3

Fig-4

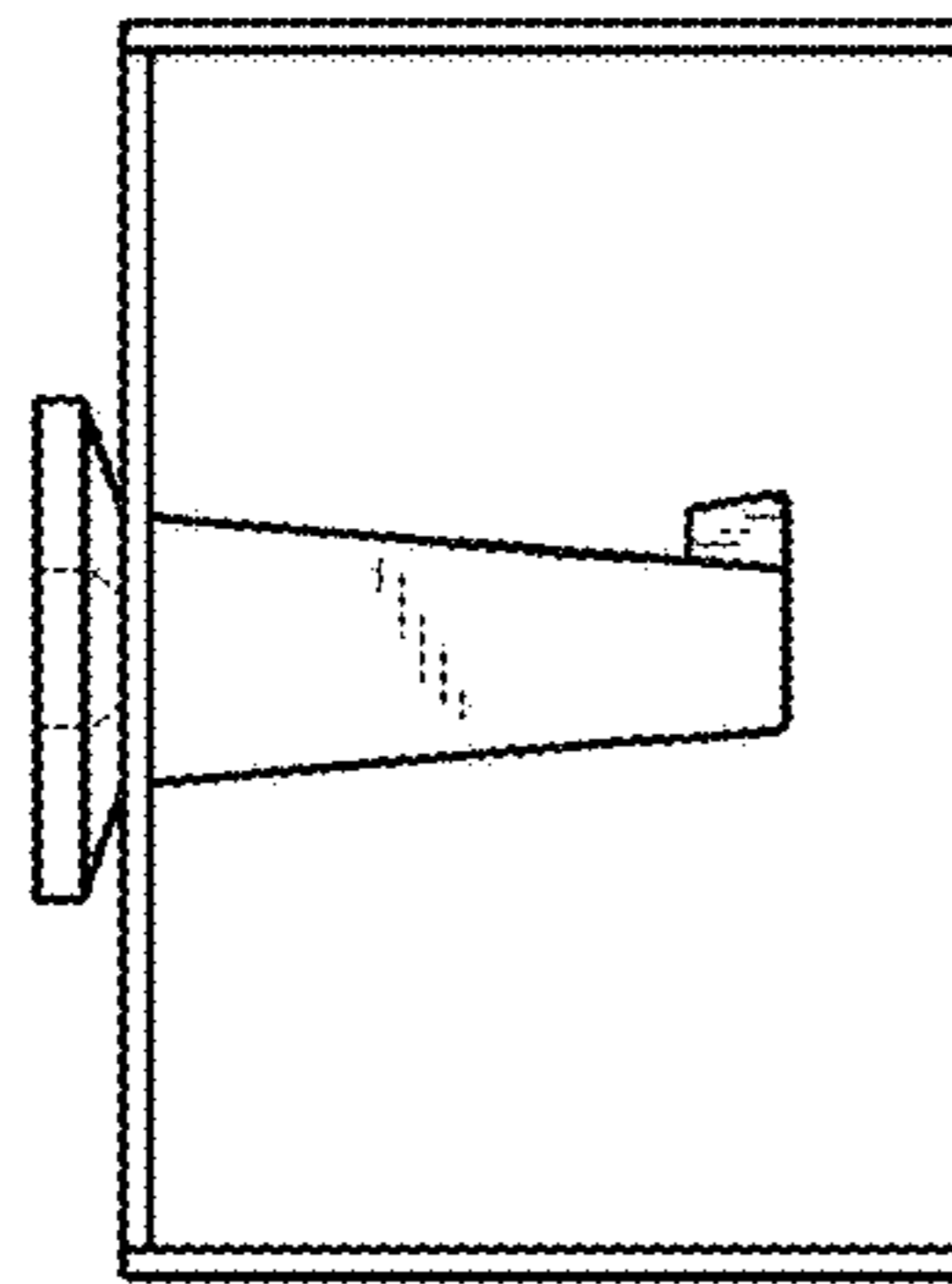
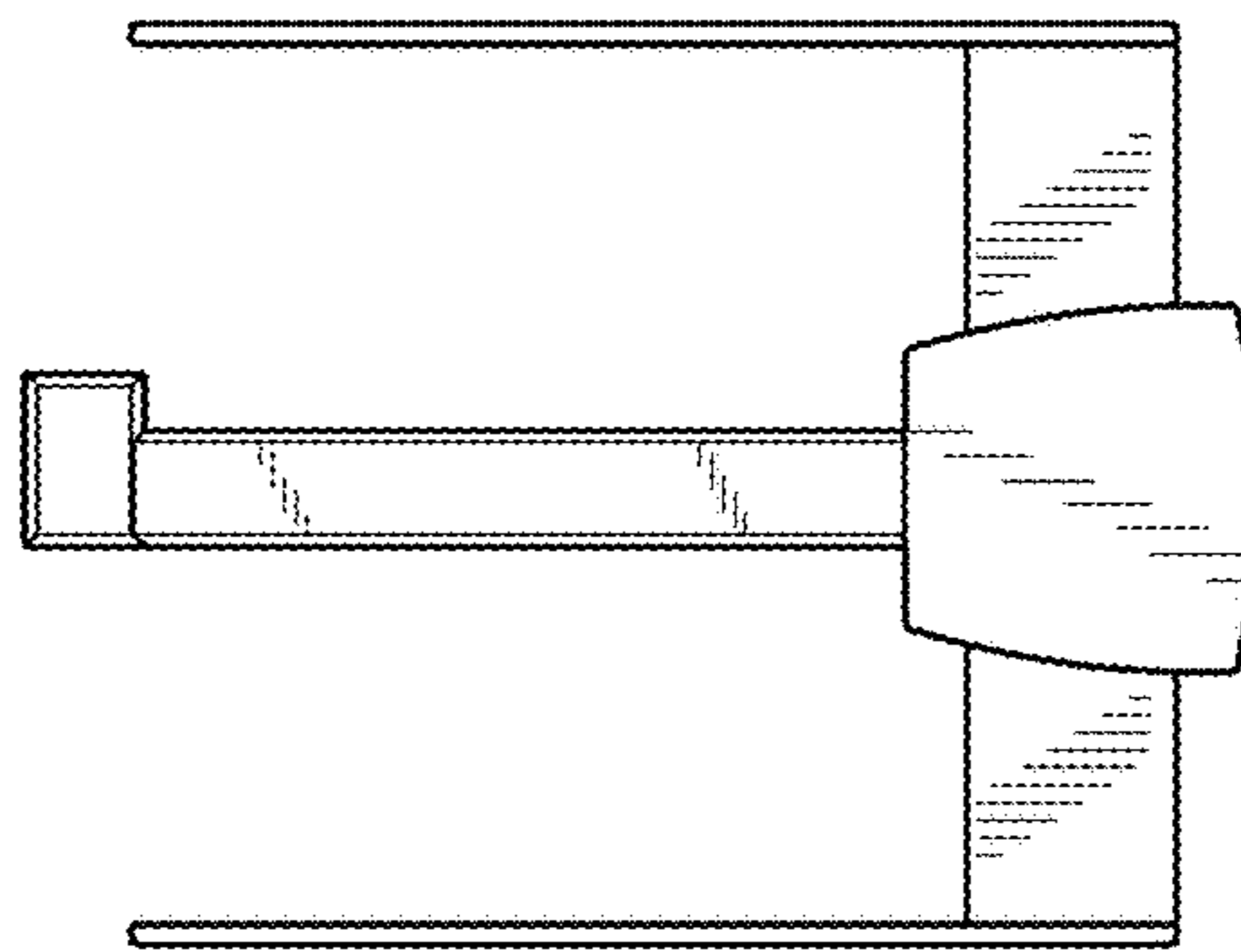


Fig-5

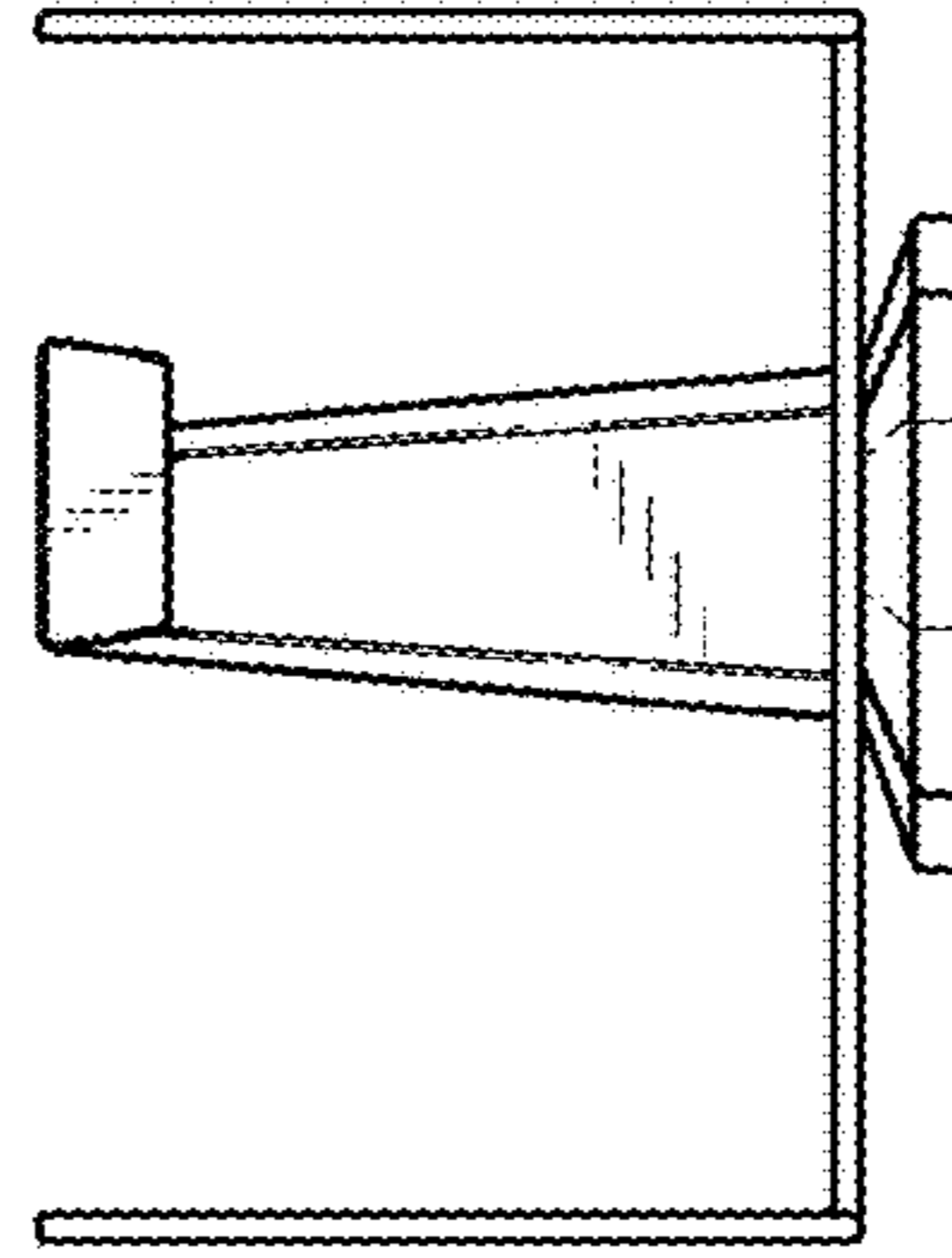


Fig-6