



US00D790872S

(12) **United States Design Patent** (10) **Patent No.:** **US D790,872 S**
Ku et al. (45) **Date of Patent:** **** Jul. 4, 2017**

(54) **PAPER PRODUCT DISPENSER**
(71) Applicant: **Kimberly-Clark Worldwide, Inc.**,
Neenah, WI (US)
(72) Inventors: **SeonMi Ku**, Suwon-si (KR); **Taell Yun**,
Songpa-gu (KR); **JongSoo Lee**,
Yongin-Si (KR); **JooHyun Sohn**,
Dongjak-gu (KR); **BoGyeong Jung**,
Yongin-si (KR); **Bongkyu Song**,
Yongsan-gu (KR); **Hyunwoo Choi**,
Yangcheon-gu (KR)
(73) Assignee: **Kimberly-Clark Worldwide, Inc.**,
Neenah, WI (US)

D312,369 S * 11/1990 De Luca D6/518
D335,410 S * 5/1993 Abel D6/520
5,288,032 A 2/1994 Boone et al.
5,314,131 A 5/1994 McCanless et al.
D351,520 S * 10/1994 Frazier D6/523
D363,628 S * 10/1995 McCanless D6/518
D373,276 S * 9/1996 Omdoll D6/520
5,820,231 A 10/1998 Schoen
D419,010 S * 1/2000 Hansen D6/515
D422,437 S * 4/2000 Conran D6/518
D426,411 S * 6/2000 Tramontina D6/522
D447,658 S * 9/2001 Fisscher D6/518
7,357,348 B2 4/2008 Kananen
7,500,420 B2 3/2009 Cvjetkovic et al.
D605,444 S * 12/2009 Marietta-Tondin D6/523
D615,331 S * 5/2010 Meyerhoffer D6/523

(Continued)

(**) Term: **15 Years**

(21) Appl. No.: **29/549,706**

(22) Filed: **Dec. 28, 2015**

(51) **LOC (10) Cl.** **20-02**

(52) **U.S. Cl.**
USPC **D6/518**

(58) **Field of Classification Search**
USPC D6/515-518, 553, 542-545, 567, 574;
206/225, 233, 389, 391, 77.1; 211/13.1,
211/173, 180, 45, 86.01, 87.02, 87.01;
221/26.33, 282, 283, 14, 92, 105;
222/173, 180, 281-282; 242/570, 590;
248/309.1, 309.2, 905
CPC ... A47K 10/40; A47K 10/38; A47K 2010/324
See application file for complete search history.

(56) **References Cited**

U.S. PATENT DOCUMENTS

2,457,439 A 12/1948 Birr
4,807,824 A 2/1989 Gains et al.
D307,845 S * 5/1990 Omdoll D6/520
D310,922 S * 10/1990 Sigmund D6/520

FOREIGN PATENT DOCUMENTS

JP 5635550 B2 12/2014
JP 5669505 B2 2/2015
WO WO 2007/042696 A1 4/2007

Primary Examiner — David Muller
Assistant Examiner — Nathan Johnston

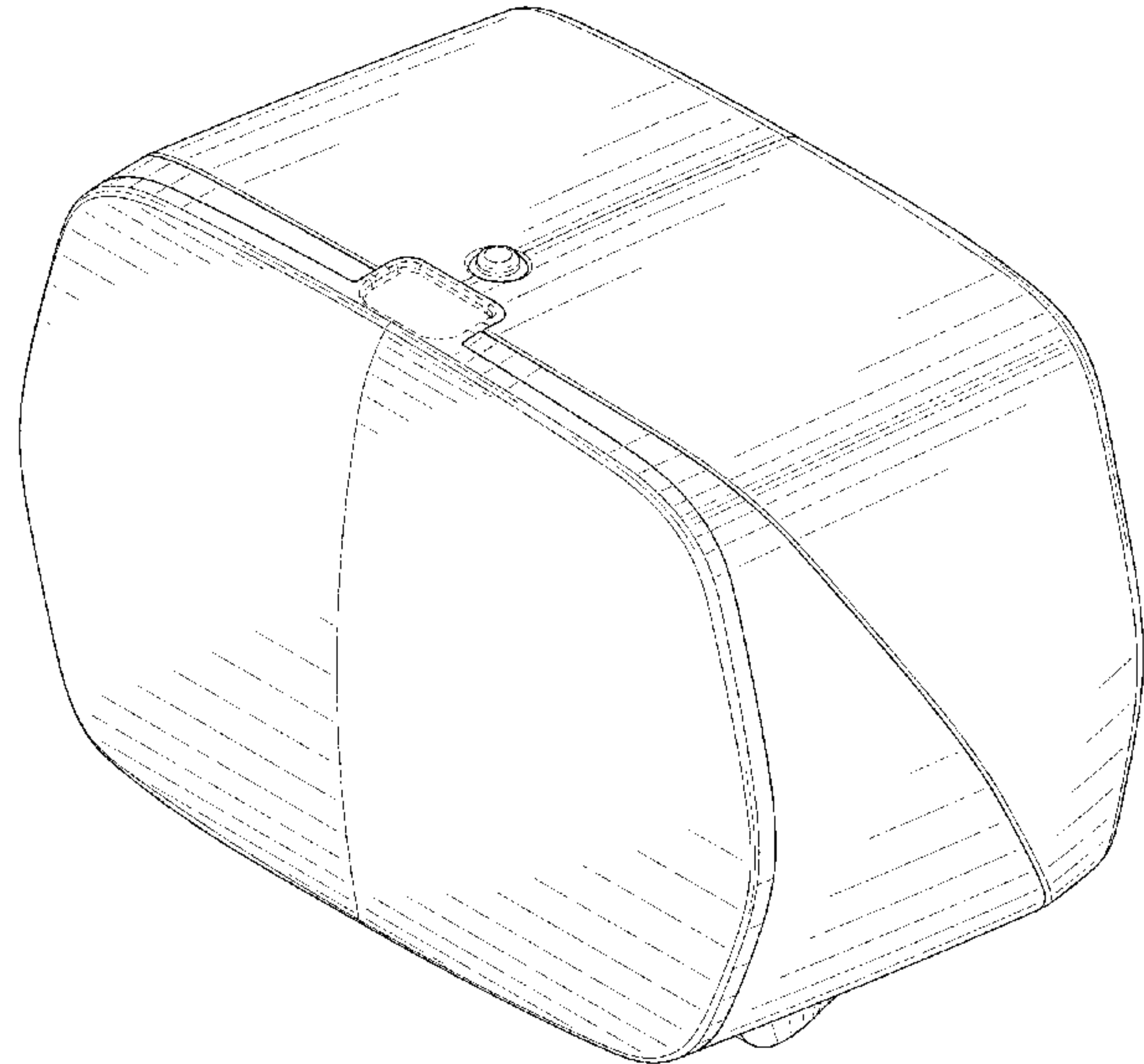
(57) **CLAIM**

We claim the ornamental design for a paper product dispenser, as shown and described.

DESCRIPTION

FIG. 1 is a perspective view of a paper product dispenser in accordance with the present invention.
FIG. 2 is a front elevation view thereof.
FIG. 3 is a rear elevation view thereof.
FIG. 4 is a left side elevation view thereof.
FIG. 5 is a right side elevation view thereof.
FIG. 6 is a top plan view thereof; and,
FIG. 7 is a bottom plan view thereof.
The broken lines in the figures illustrate the portions of the design that form no part of the claimed design.

1 Claim, 6 Drawing Sheets



(56)

References Cited

U.S. PATENT DOCUMENTS

D623,452	S *	9/2010	McNeely	D6/518
D634,953	S *	3/2011	Meyerhoffer	D6/518
7,896,285	B2	3/2011	Wruck, Jr. et al.	
D654,740	S *	2/2012	Cheng	D6/520
D656,348	S *	3/2012	Velazquez	D6/523
D666,035	S *	8/2012	Velazquez	D6/518
D674,633	S *	1/2013	Green	D6/518
8,511,600	B2	8/2013	Formon et al.	
D726,440	S *	4/2015	Giovannoni	D6/518
D727,652	S *	4/2015	Sun Ting Kung	D6/518
D740,587	S *	10/2015	Sun Ting Kung	D6/518
2003/0164079	A1	9/2003	Budz et al.	
2004/0004152	A1 *	1/2004	Kapiloff	A47K 10/3836 242/597.8
2010/0206979	A1 *	8/2010	Collins	A47K 10/3687 242/560
2012/0280078	A1	11/2012	Lowe	
2013/0043266	A1	2/2013	Hagleitner	
2013/0213203	A1	8/2013	Bunnell	
2014/0203133	A1 *	7/2014	Andersson	A47K 10/38 242/597.1
2015/0076277	A1 *	3/2015	Elliott	A47K 10/3836 242/560

* cited by examiner

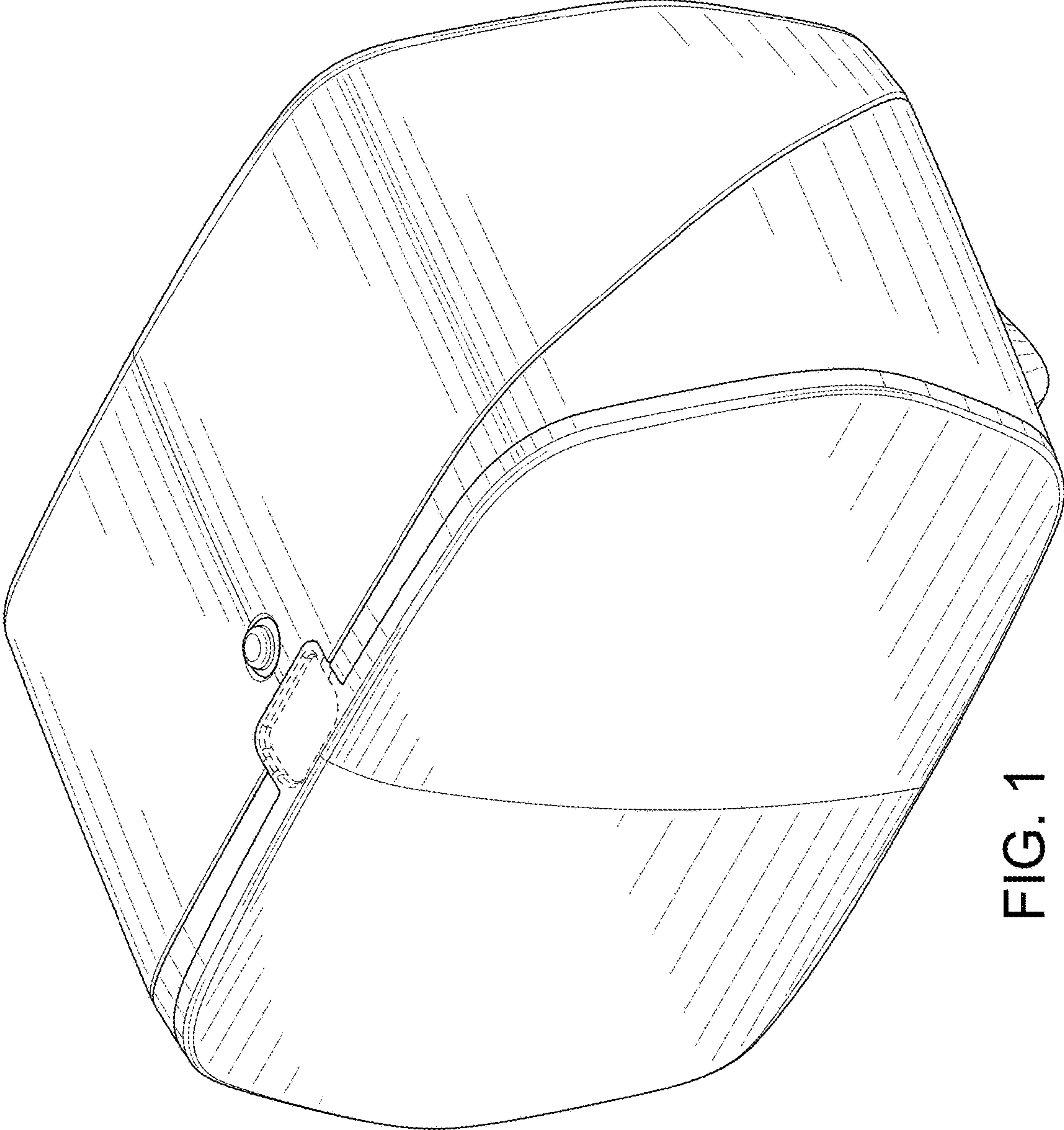


FIG. 1

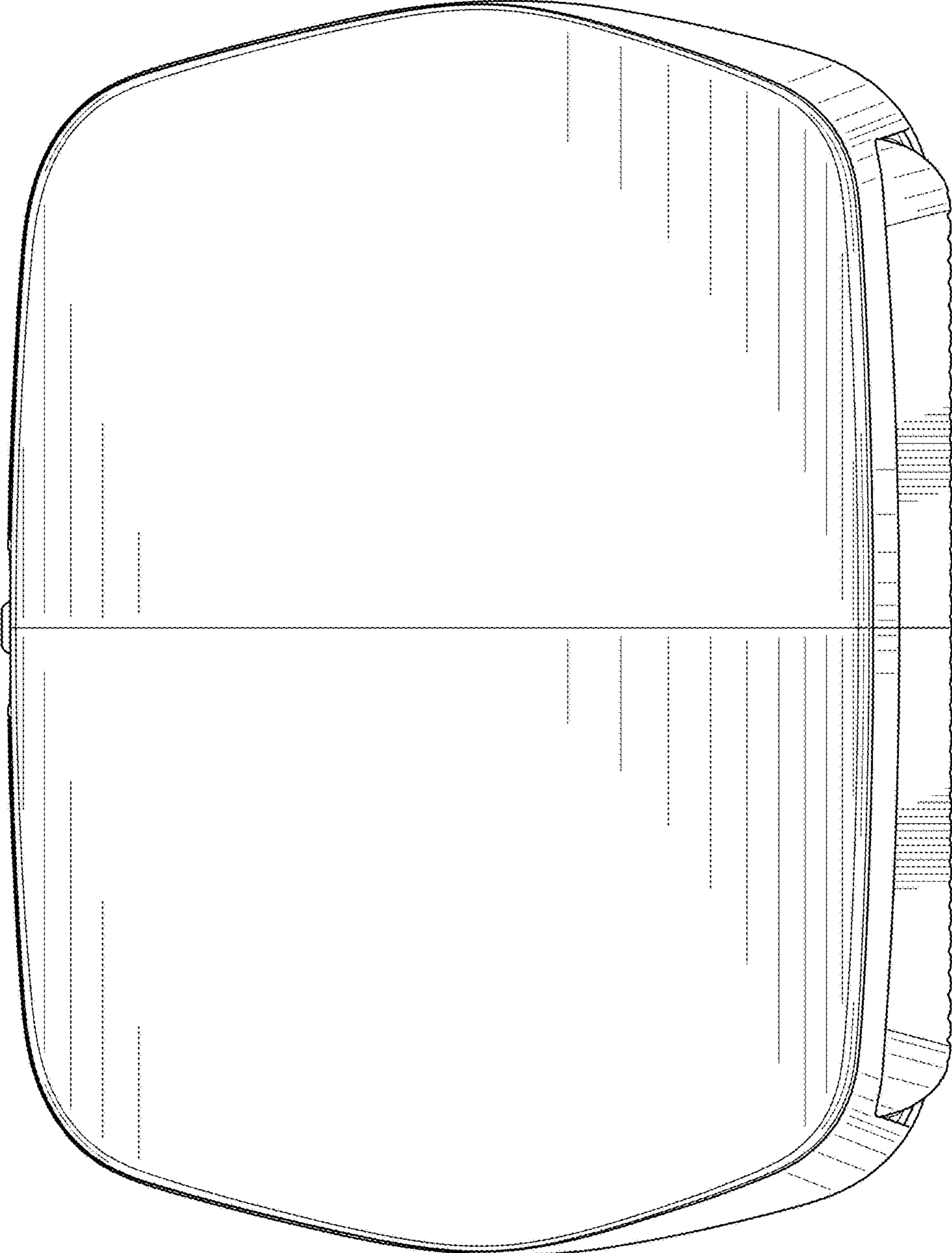


FIG. 2

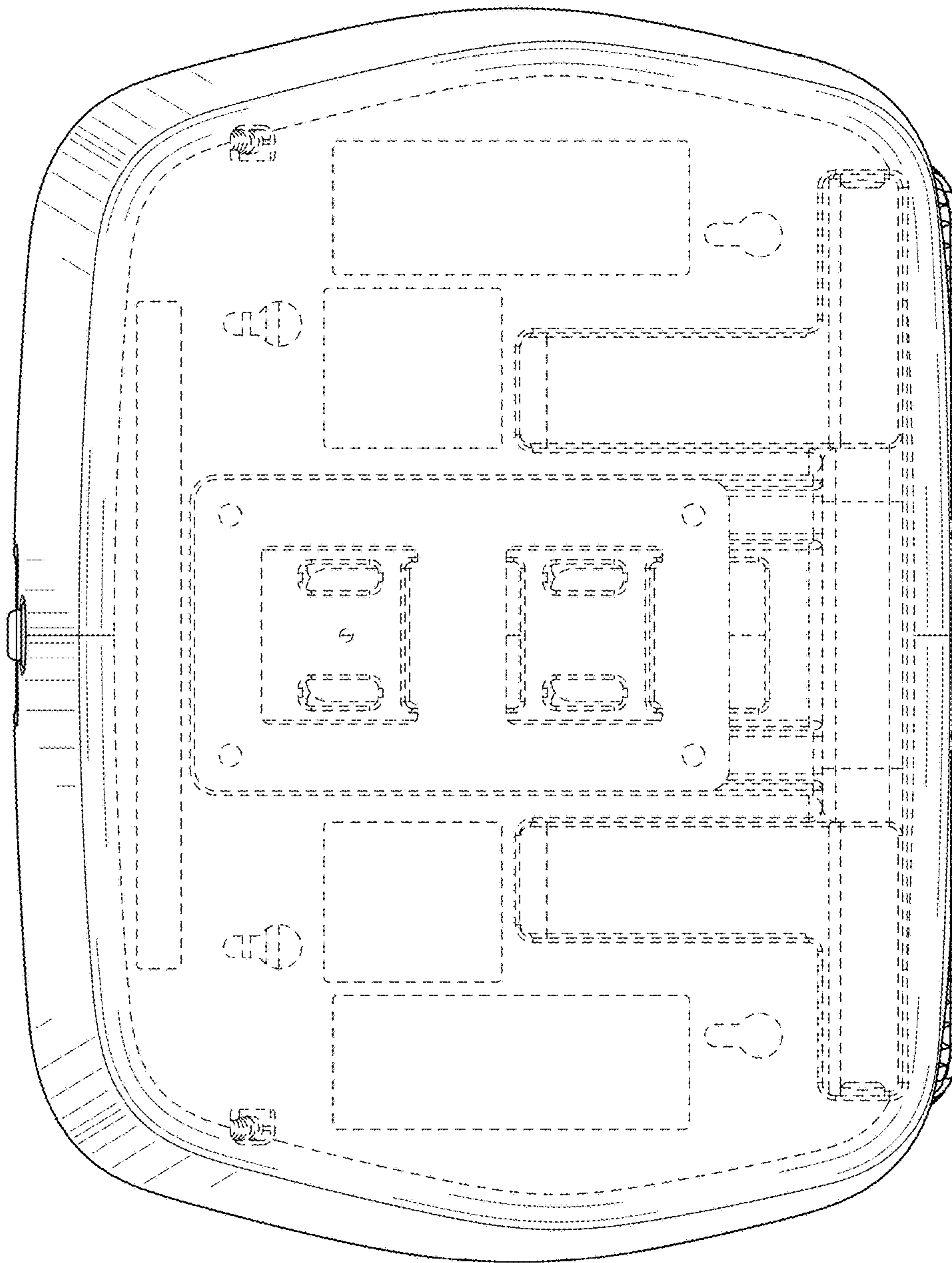


FIG. 3

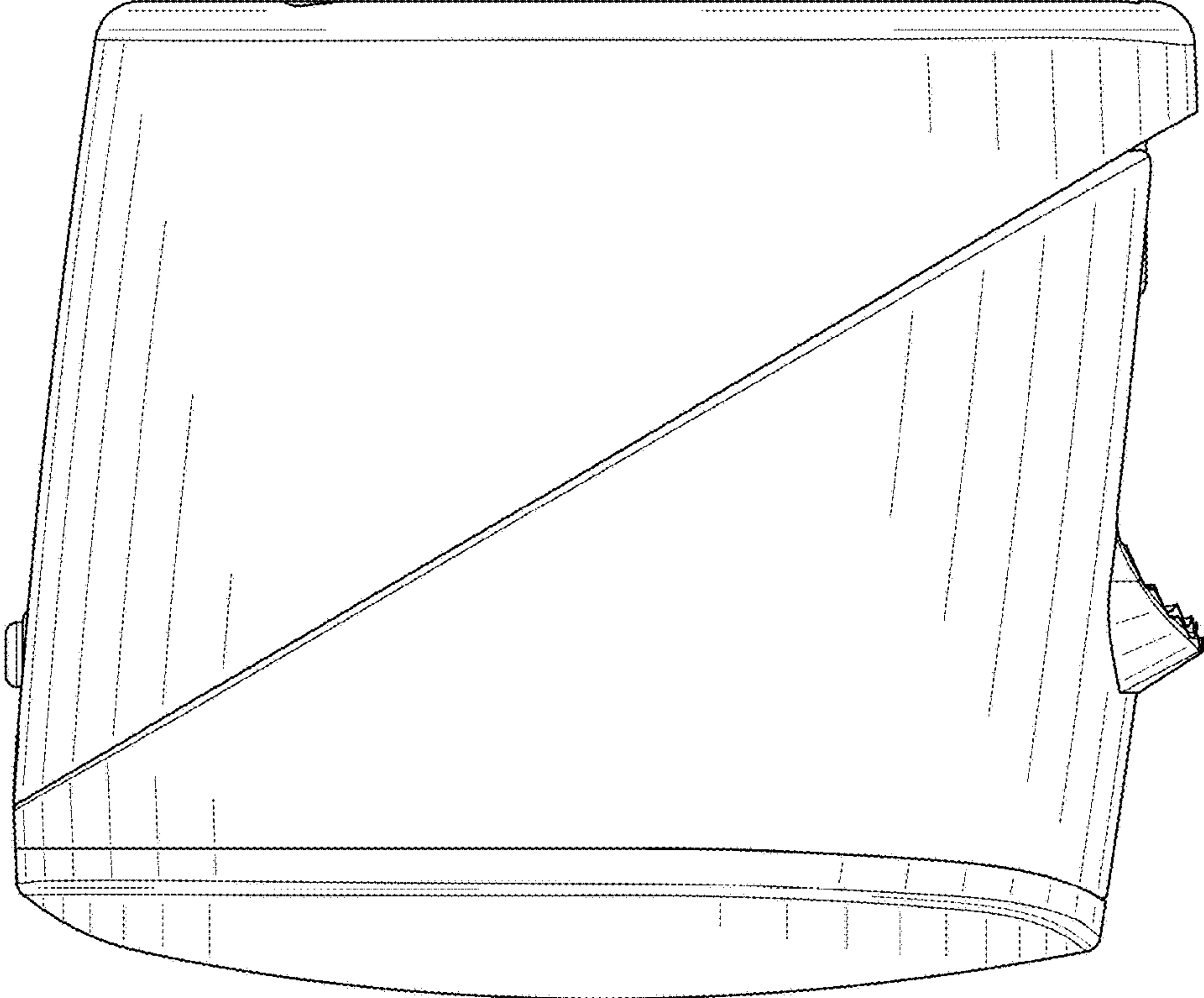


FIG. 5

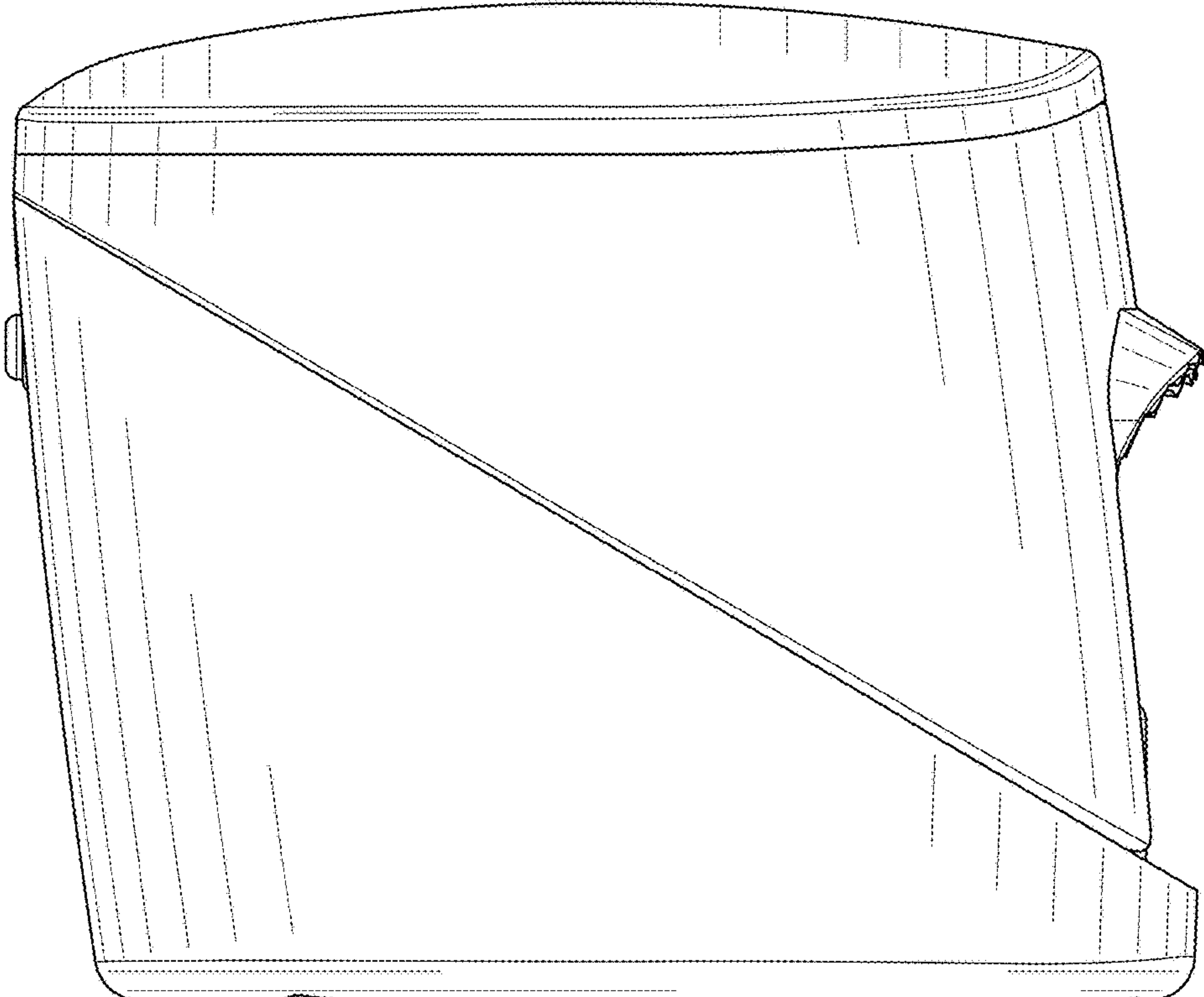


FIG. 4

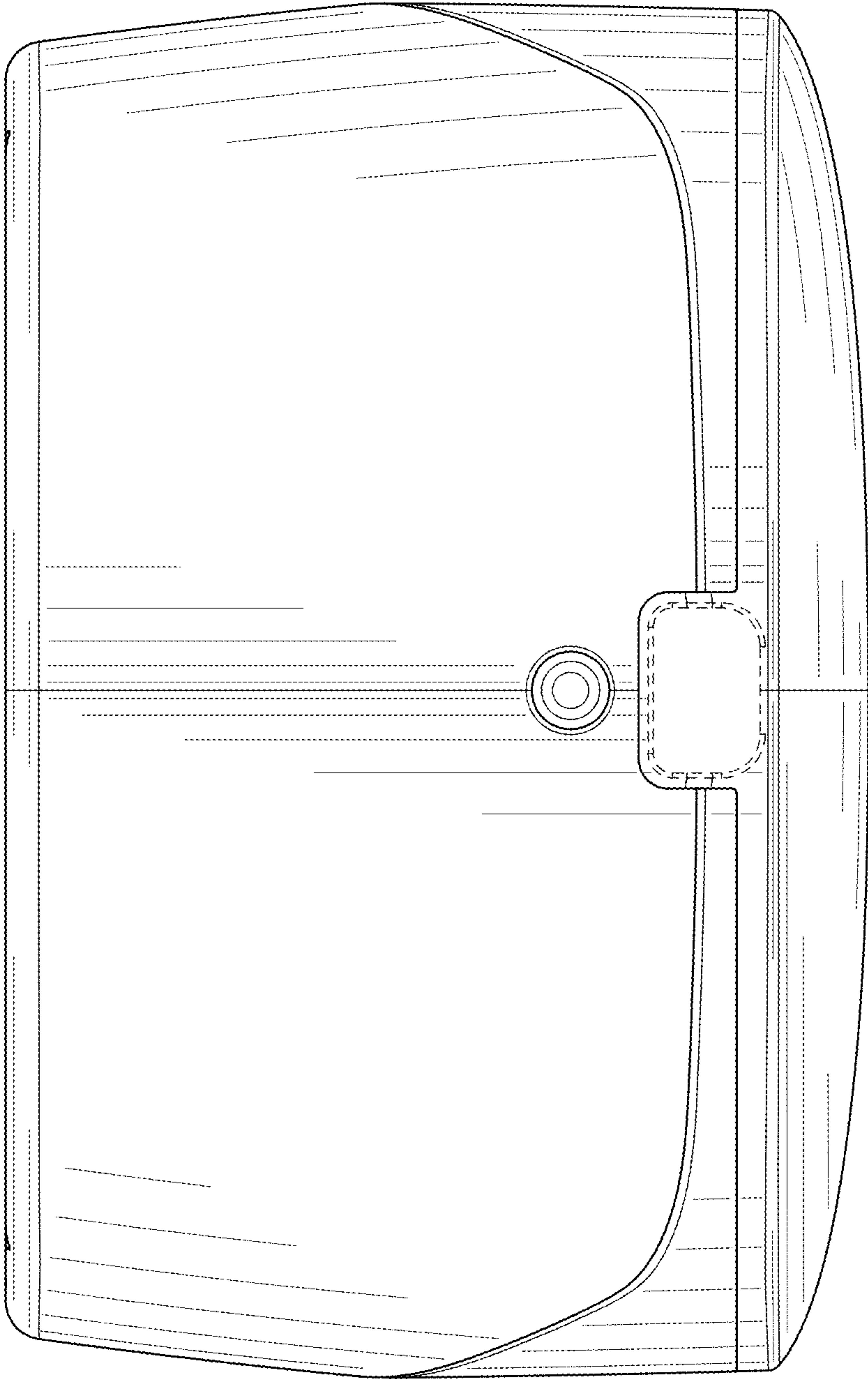


FIG. 6

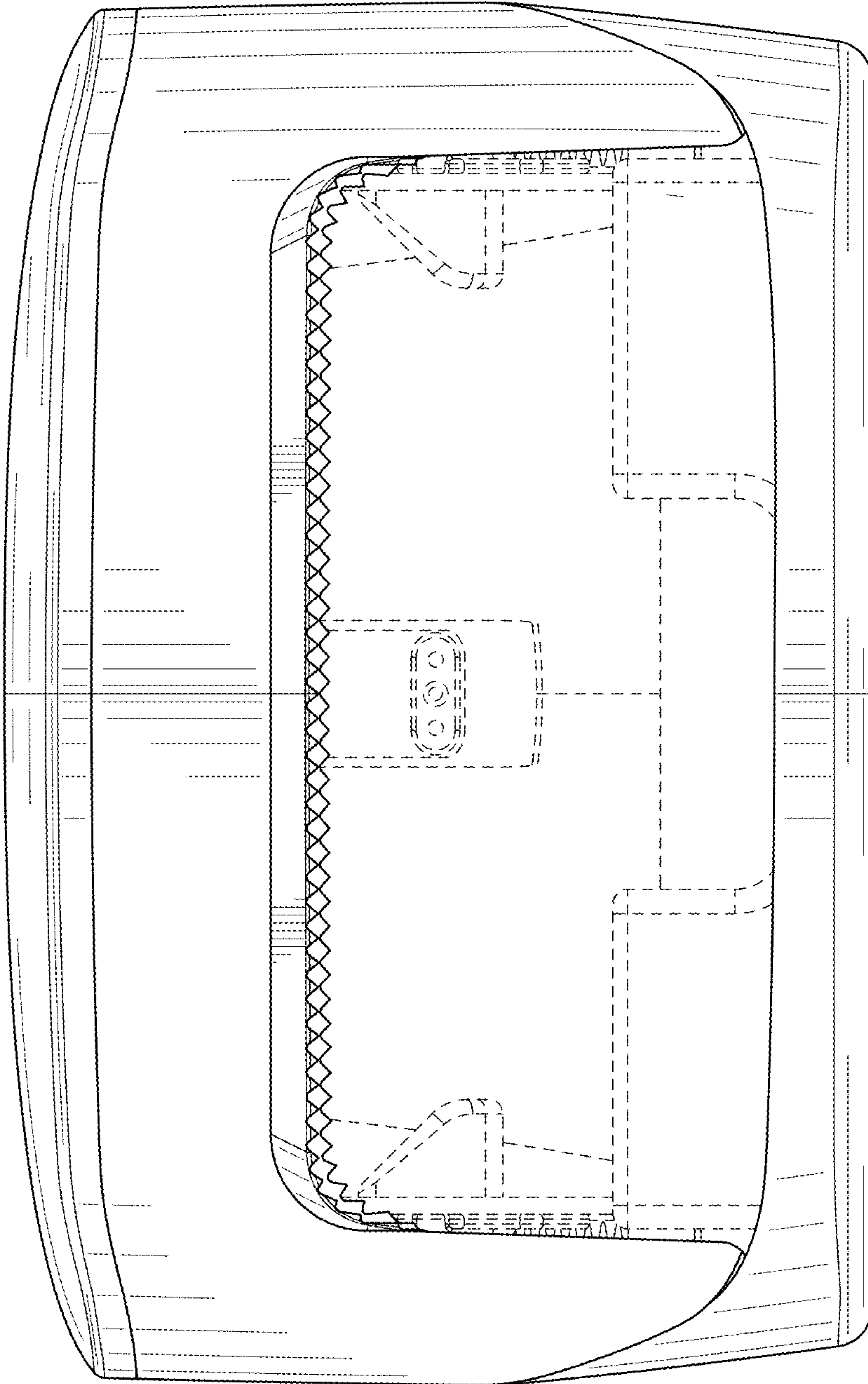


FIG. 7