



US00D790868S

(12) **United States Design Patent**  
**Gorman et al.**

(10) **Patent No.:** **US D790,868 S**

(45) **Date of Patent:** **\*\* Jul. 4, 2017**

(54) **DISPLAY STAND**

(71) Applicant: **Apple Inc.**, Cupertino, CA (US)

(72) Inventors: **Michael Gorman**, Dublin, CA (US);  
**Gabriel Lamb**, San Francisco, CA  
(US); **Manuel Reza**, Sunnyvale, CA  
(US); **Mi Zou**, San Francisco, CA (US)

(73) Assignee: **Apple Inc.**, Cupertino, CA (US)

(\*\*) Term: **15 Years**

(21) Appl. No.: **29/557,354**

(22) Filed: **Mar. 8, 2016**

(51) **LOC (10) Cl.** ..... **06-07**

(52) **U.S. Cl.**  
USPC ..... **D6/310**

(58) **Field of Classification Search**  
USPC ..... D6/310, 312, 513, 552, 682.5; D21/702,  
D21/822, 826; D24/184, 231, 169;  
D34/33, 35; D23/295  
CPC ..... A47G 1/16  
See application file for complete search history.

(56) **References Cited**

**U.S. PATENT DOCUMENTS**

D334,492 S *	4/1993	Morello	.....	D6/682.1
D472,728 S *	4/2003	Harris	.....	D6/406.3
D478,257 S *	8/2003	Fredrickson	.....	D3/315
D487,910 S *	3/2004	Wine	.....	D21/698
D609,495 S *	2/2010	Adams	.....	D6/656.11
D618,378 S *	6/2010	Huang	.....	D26/93
D623,329 S *	9/2010	Huang	.....	D26/63

D693,308 S *	11/2013	Beldock	.....	D13/139.4
D703,813 S *	4/2014	Bolia	.....	D24/133
D724,072 S *	3/2015	Jiang	.....	D14/253
9,345,941 B1 *	5/2016	Celedon	.....	A63H 37/00
D765,996 S *	9/2016	Dolar	.....	A47G 1/16 D6/312
D782,232 S *	3/2017	Procter	.....	D6/700

\* cited by examiner

*Primary Examiner* — Mark Goodwin

*Assistant Examiner* — Melvin Davis

(74) *Attorney, Agent, or Firm* — Sterne, Kessler,  
Goldstein & Fox P.L.L.C.

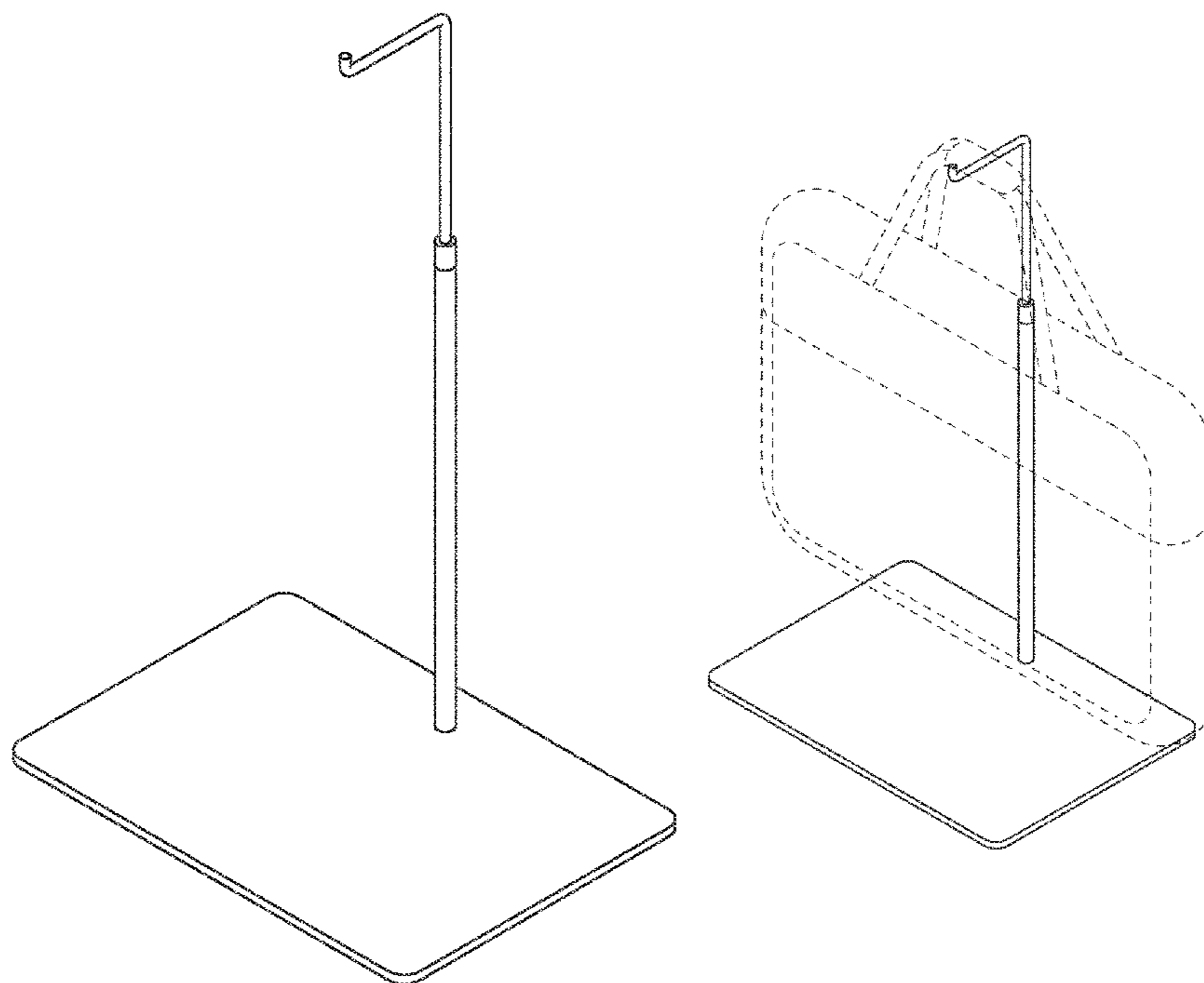
(57) **CLAIM**

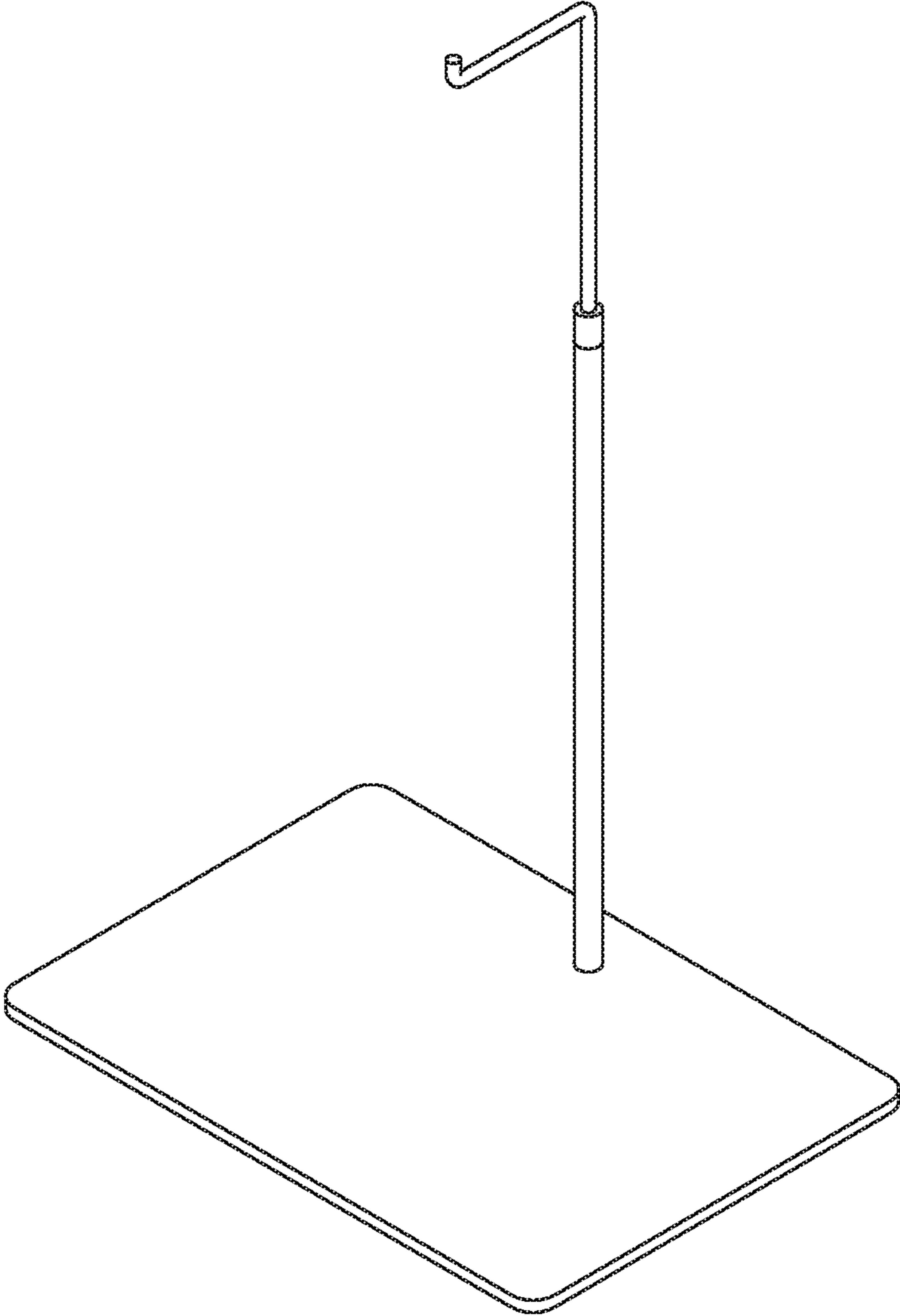
The ornamental design for a display stand, as shown and described.

**DESCRIPTION**

FIG. 1 is a top front perspective view of a display stand showing our new design;  
FIG. 2 is a front view thereof;  
FIG. 3 is a rear view thereof;  
FIG. 4 is a left side view thereof;  
FIG. 5 is a right side view thereof;  
FIG. 6 is a top view thereof;  
FIG. 7 is a bottom view thereof; and,  
FIG. 8 is a top front perspective view thereof in an environment in which it may be used.  
The broken lines in the figures show portions of the display stand that form no part of the claimed design.

**1 Claim, 5 Drawing Sheets**





**FIG. 1**

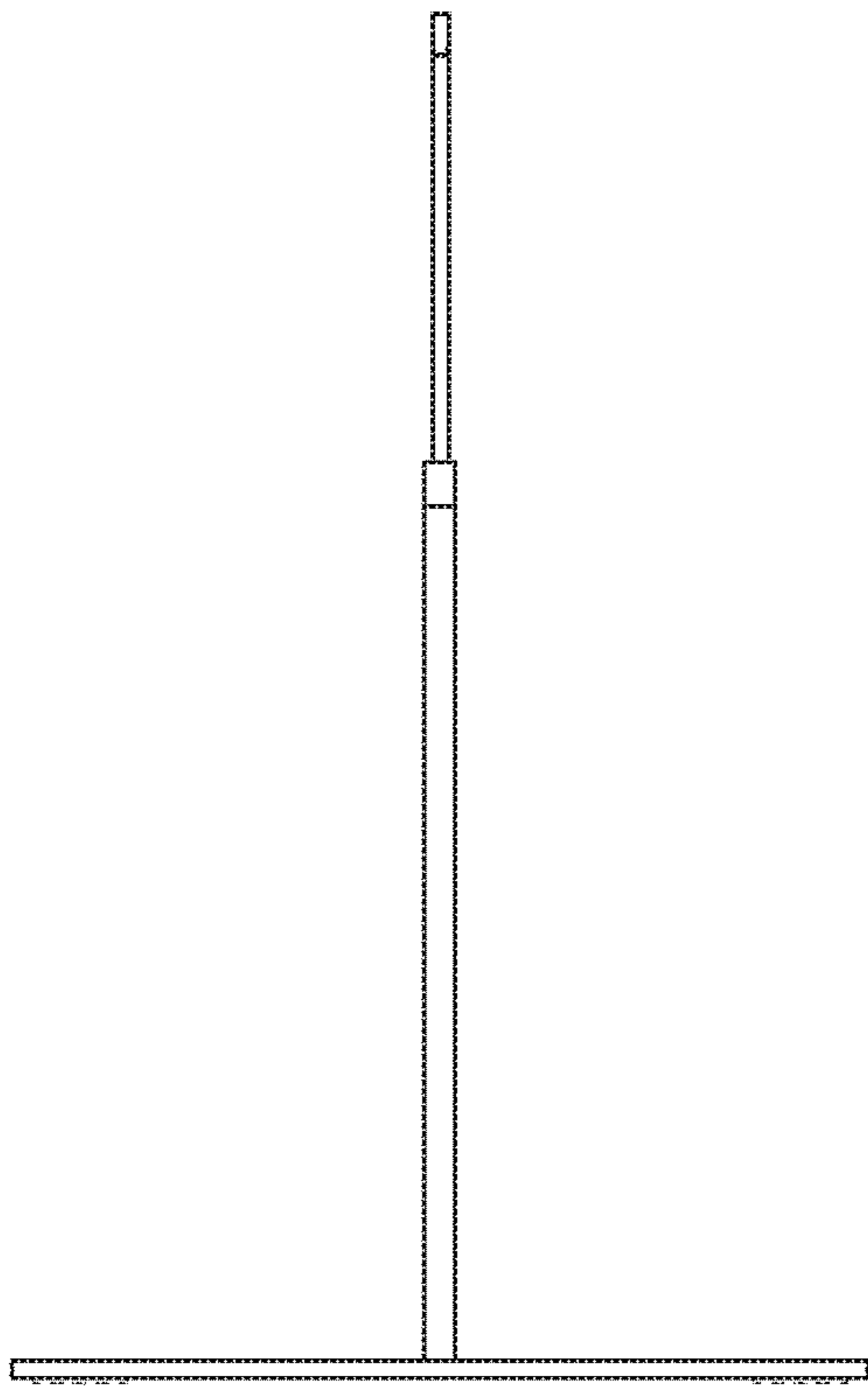


FIG. 2

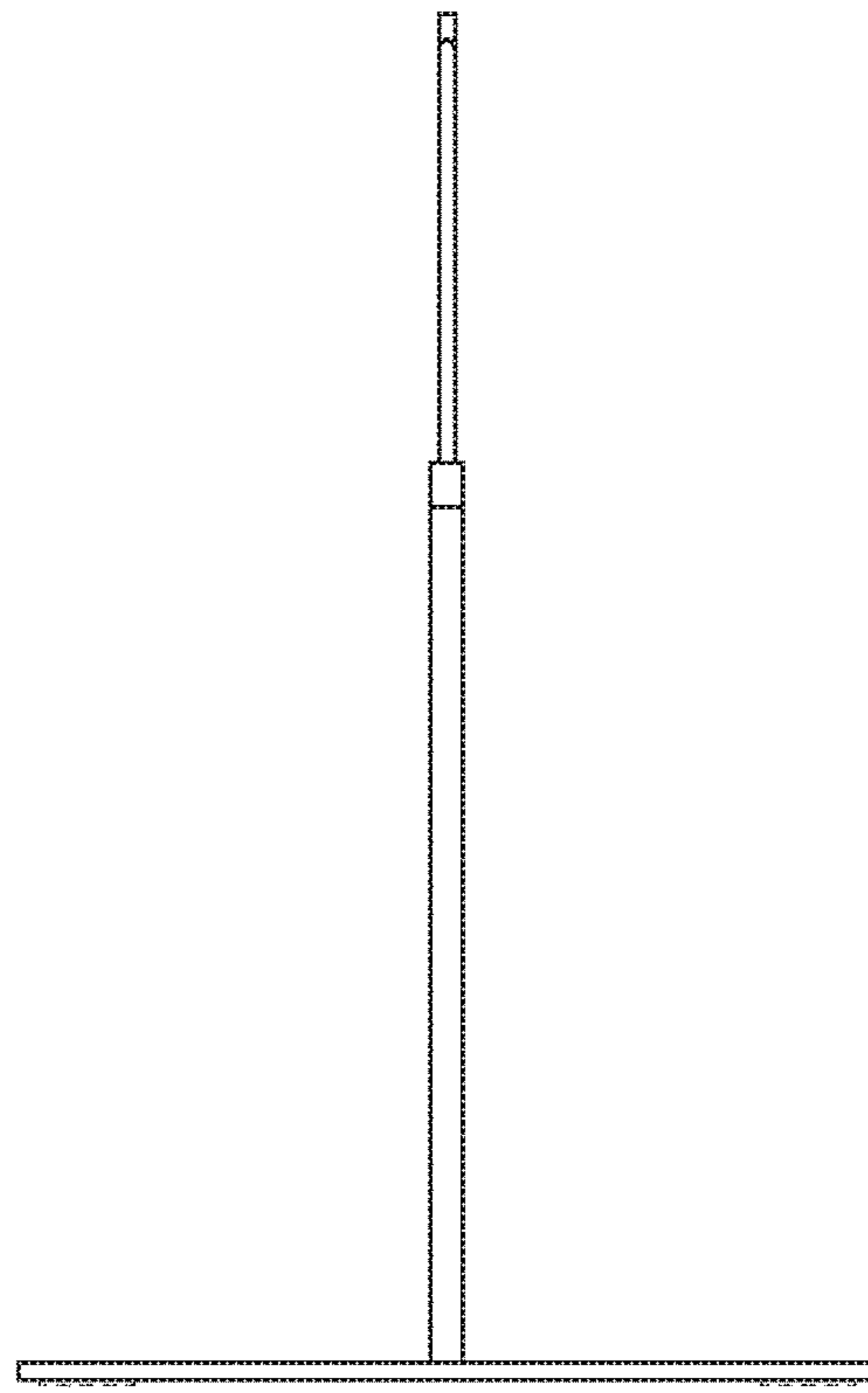
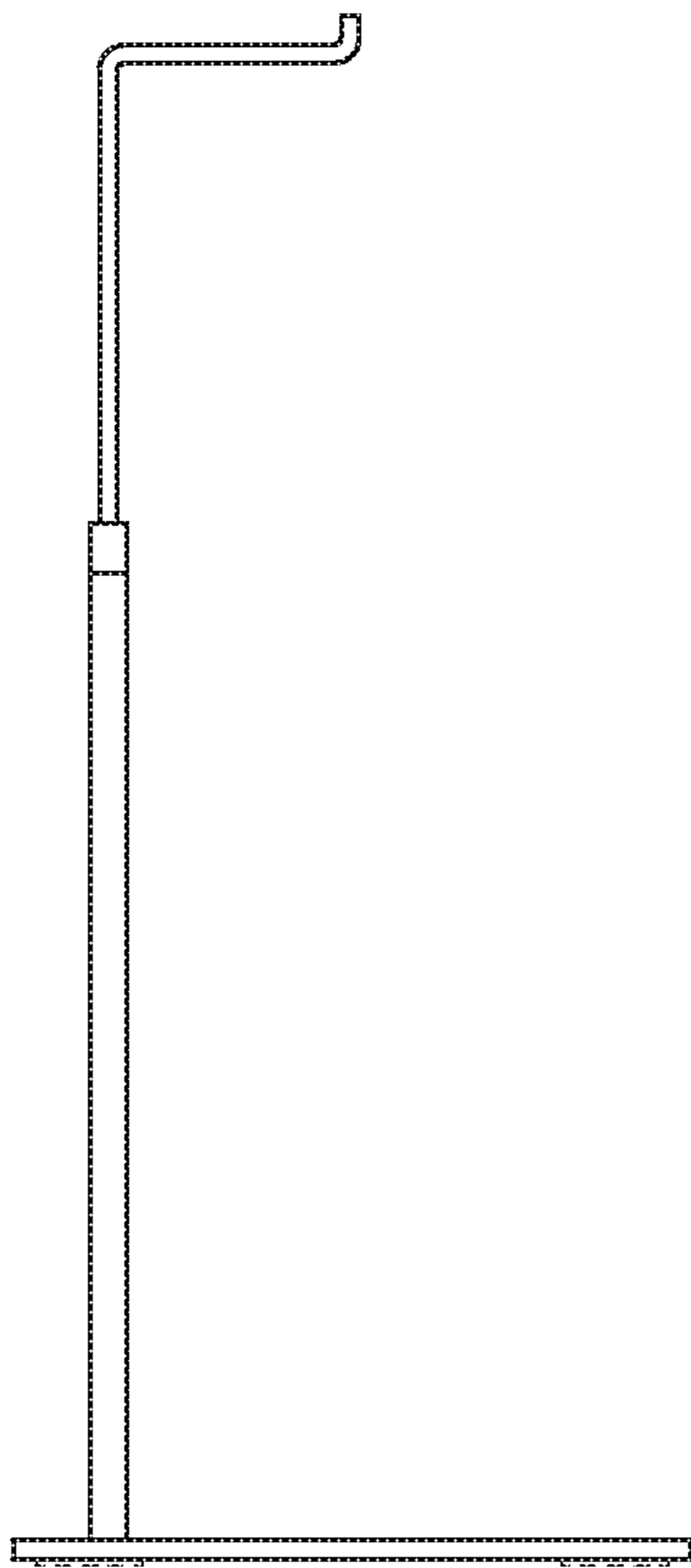
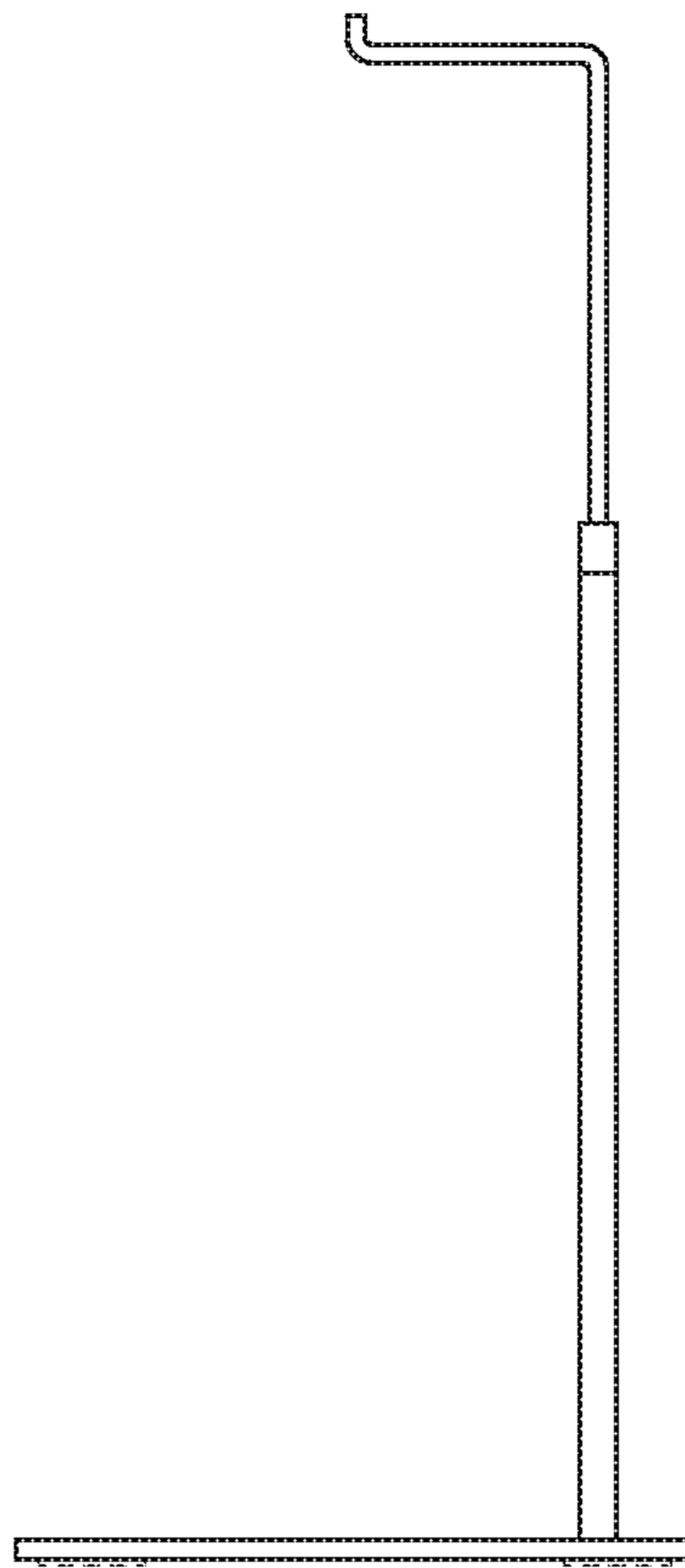


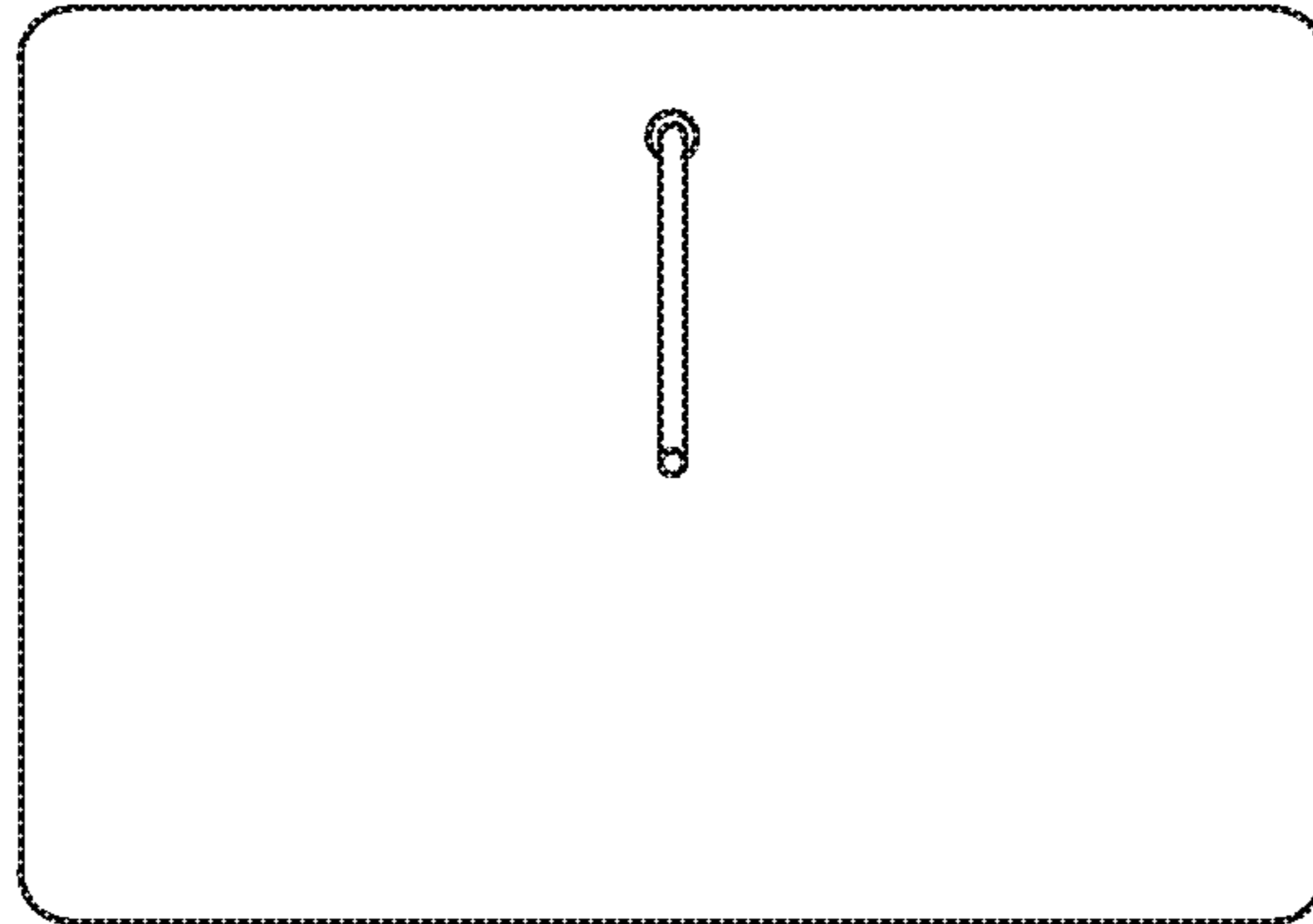
FIG. 3



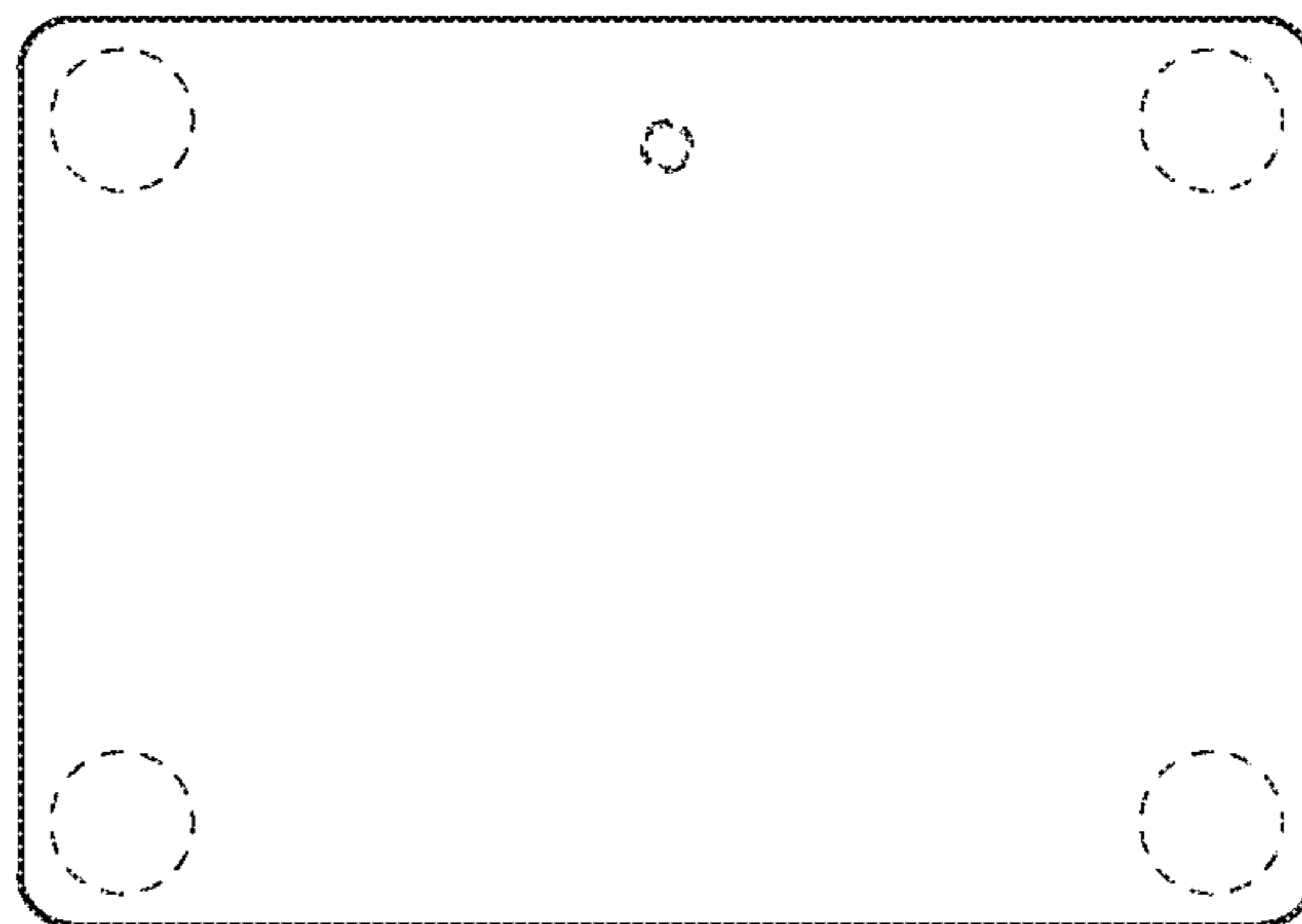
**FIG. 4**



**FIG. 5**



**FIG. 6**



**FIG. 7**

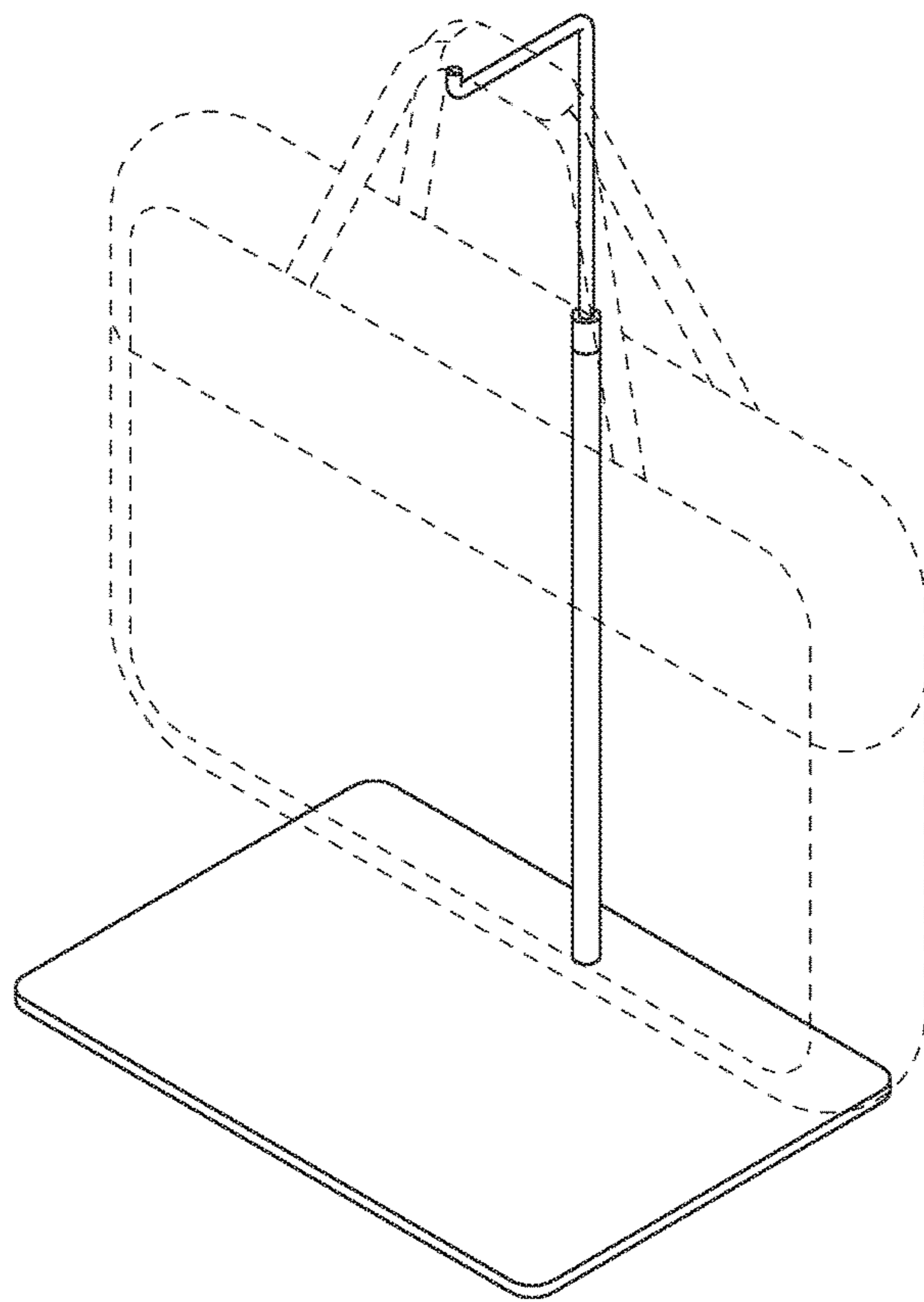


FIG. 8