

US00D790867S

(12) **United States Design Patent** (10) **Patent No.:** **US D790,867 S**
Garcia et al. (45) **Date of Patent:** **** Jul. 4, 2017**

(54) **PICTURE FRAME**
(71) Applicants: **Angelina Garcia**, Margate, FL (US);
Miguel A. Ramirez, Boca Raton, FL (US)
(72) Inventors: **Angelina Garcia**, Margate, FL (US);
Miguel A. Ramirez, Boca Raton, FL (US)

FR GB 191401910 A * 8/1914 E05B 65/006
FR 2795764 A1 * 1/2001 E06B 1/006
FR 2800703 A1 * 5/2001 B63B 19/02
FR 2823789 A1 * 10/2002 B63B 19/00
GB 191314402 A * 0/1914 B63B 19/00
GB 131480 A * 8/1919 B63B 19/00
GB 153244 A * 11/1920 B63B 19/00
GB 267865 A * 3/1927 B63B 19/00

(Continued)

(**) Term: **14 Years**
(21) Appl. No.: **29/526,448**
(22) Filed: **May 8, 2015**
(51) **LOC (10) Cl.** **06-07**
(52) **U.S. Cl.**
USPC **D6/309**
(58) **Field of Classification Search**
USPC D6/300, 303, 309; 40/722; D11/133;
D12/317, 318, 400, 400.183, 404, 405;
D16/235; D25/48.1, 48.7
CPC H04N 19/172; H04N 19/50; G06F 3/016;
A47G 1/0616; A47G 1/065
See application file for complete search history.

(56) **References Cited**

U.S. PATENT DOCUMENTS

D39,030 S * 1/1908 Marshall 359/450
D175,503 S * 9/1955 Gootschalk et al. D16/134
2,814,895 A * 12/1957 Flam B63B 19/00
119/257
D197,490 S * 2/1964 Hipp D16/235
D236,200 S * 8/1975 Summers D19/28
D321,258 S * 10/1991 St-Hilaire D25/48.7
D420,809 S * 2/2000 Greene, II D6/303
D757,453 S * 5/2016 Palomba D6/309

FOREIGN PATENT DOCUMENTS

CA 2726762 A1 * 6/2012 E06B 7/32
DE 2931562 A1 * 3/1980 B63B 19/00

OTHER PUBLICATIONS

Porthole Table Antique Vintage Maritime Industrial Shipyard Sea-shore Garden, posting date not given, [online], [site visited Aug. 11, 2016]. Available from the internet, <https://www.etsy.com/listing/248066201/porthole-table-antique-vintage-maritime?ga_order=most_relevant&ga_search_type=all&ga_view_type=gallery&ga_search_query=porthole&ref=sr_gallery_*>

(Continued)

Primary Examiner — Caron D Veynar
Assistant Examiner — Katrina Gonzalez
(74) *Attorney, Agent, or Firm* — Adam C. Underwood;
Ernesto M. Rubi

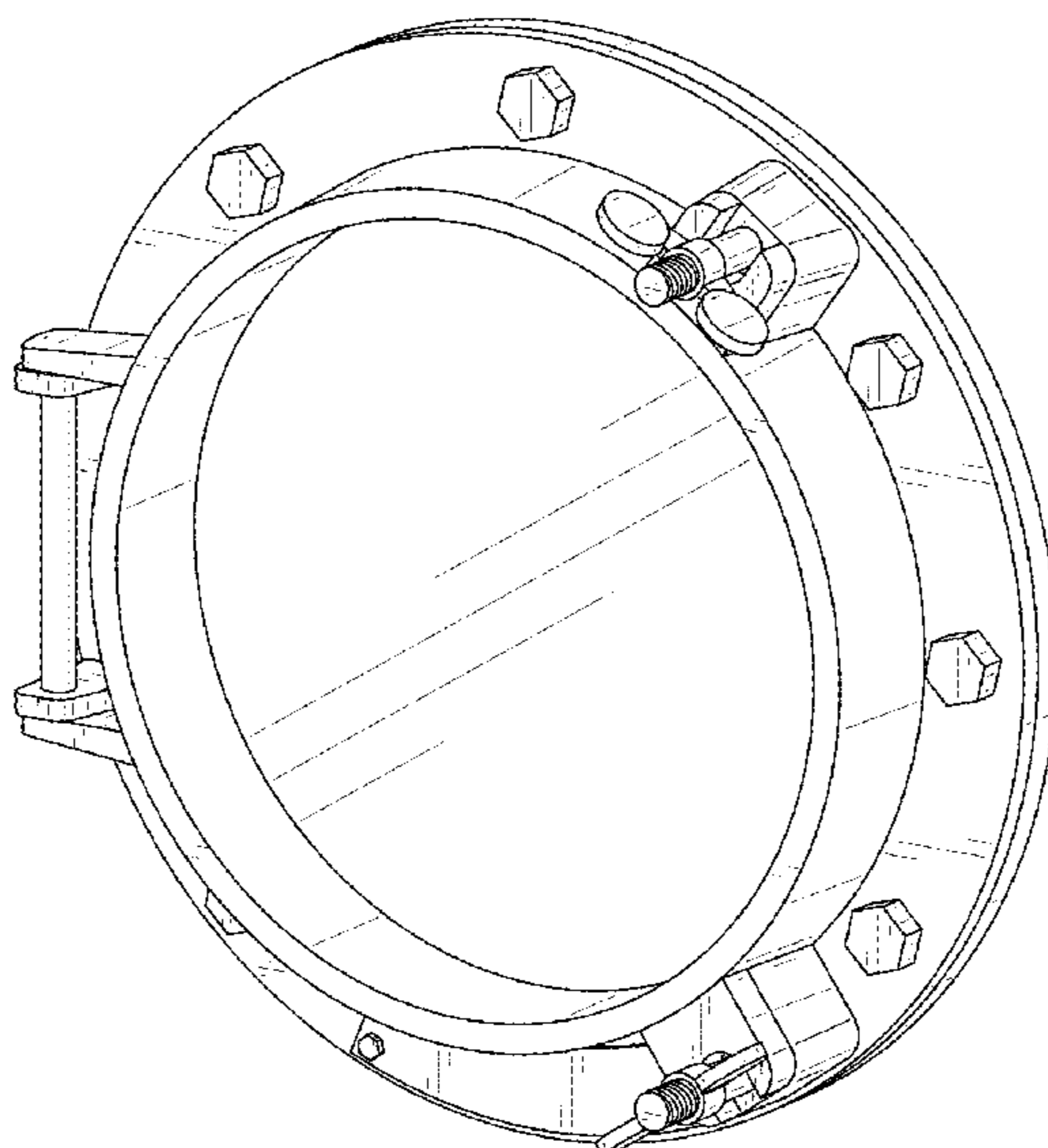
(57) **CLAIM**

The ornamental design for a picture frame, as shown and described.

DESCRIPTION

FIG. 1 is a front perspective view of the picture frame according to an embodiment of our new design;
FIG. 2 is a front view thereof;
FIG. 3 is a rear view thereof;
FIG. 4 is a left side view thereof;
FIG. 5 is a right side view thereof;
FIG. 6 is a top view thereof; and,
FIG. 7 is a bottom view thereof.
The broken lines are for illustrative purposes only and form no part of the claimed design.

1 Claim, 5 Drawing Sheets



(56)

References Cited

FOREIGN PATENT DOCUMENTS

GB 566182 A * 12/1944 B63B 19/00

OTHER PUBLICATIONS

Decorative Ship Porthole Window Wall Décor, posting date not given, [online], [site visited Aug. 11, 2016]. Available from the internet, <<http://www.wayfair.com/Handcrafted-Model-Ships-Port-hole-Window-HACM2208.html>>.*

Wall mural Porthole Portscape Ship Window Port Hole Port Scape 3d self adhesive decal, Outer space walking shattered horizon earth asteroids, posting date not given, [online], [site visited Aug. 11, 2016]. Available from the internet, <https://www.etsy.com/listing/257484232/wall-mural-porthole-portscape-ship?ga_order=most_relevant&ga_search_type=all&g>.*

Nautical Mirror Made With Authentic Aluminum Ship's Porthole, 3 Dog, posting date not given, [online], [site visited Aug. 9, 2016]. Available from the internet, <<http://www.skipjackmarinegallery.com/product/DC374MD3.html>>.*

* cited by examiner

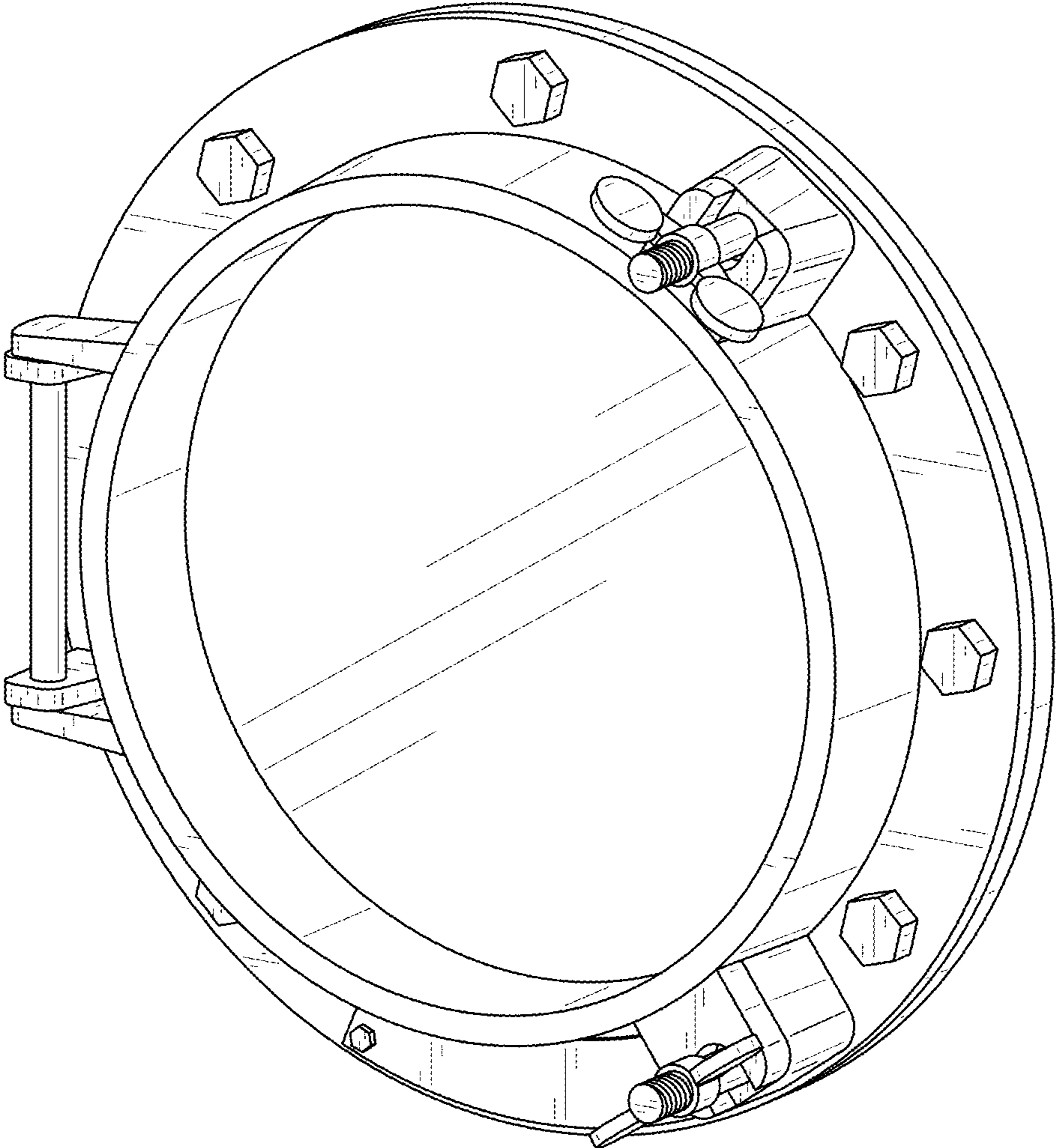


FIG. 1

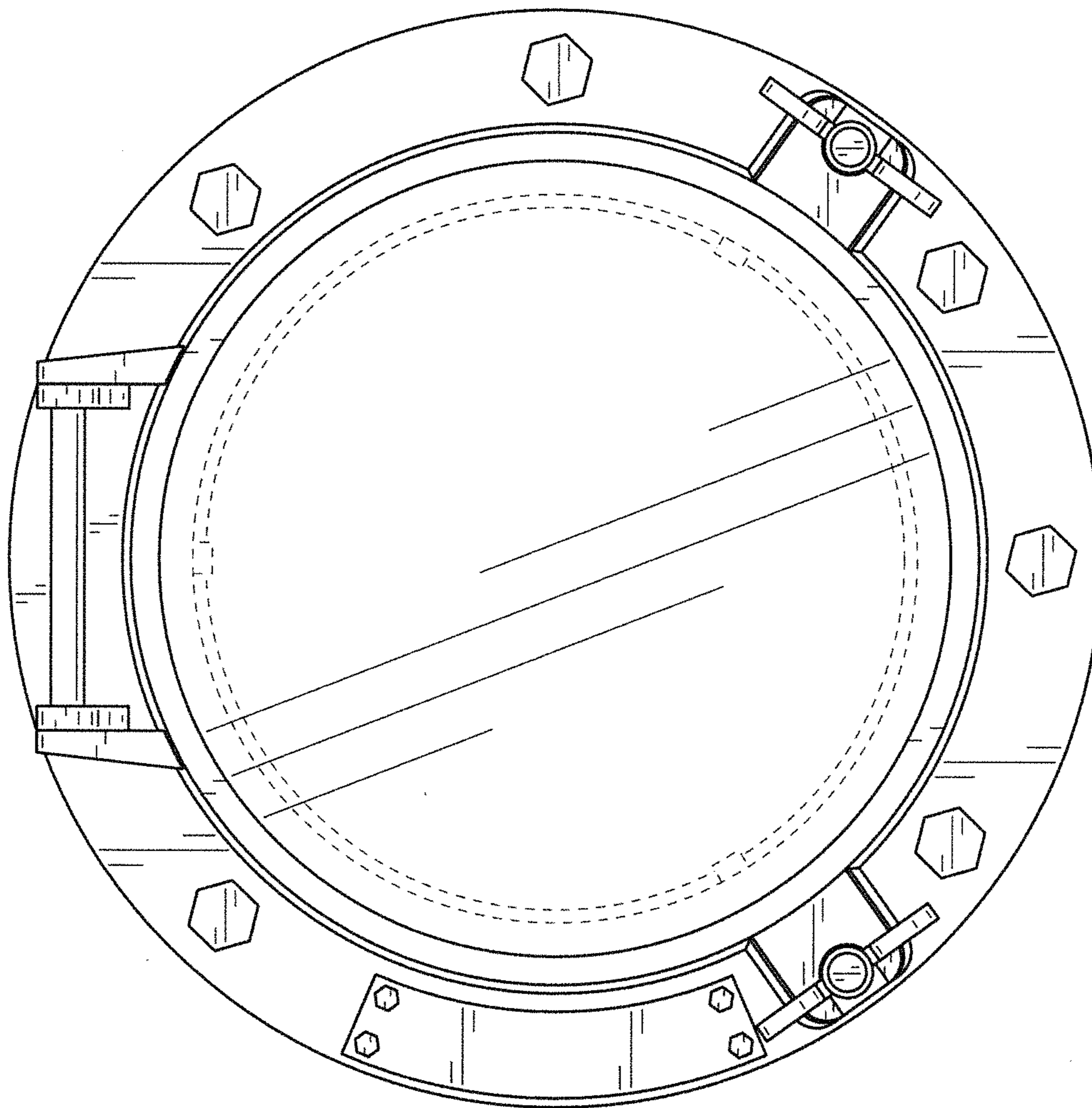


FIG. 2

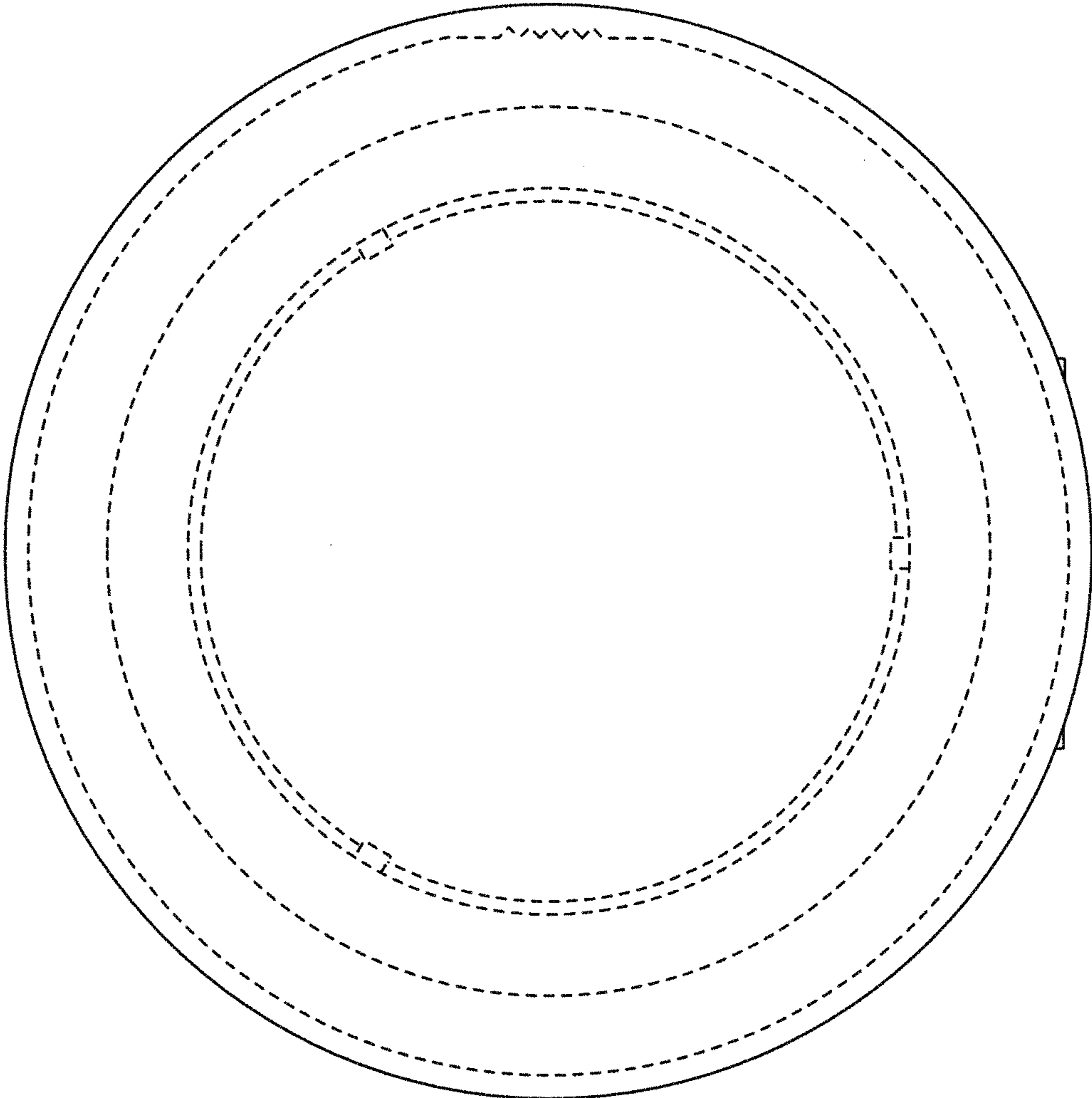


FIG. 3

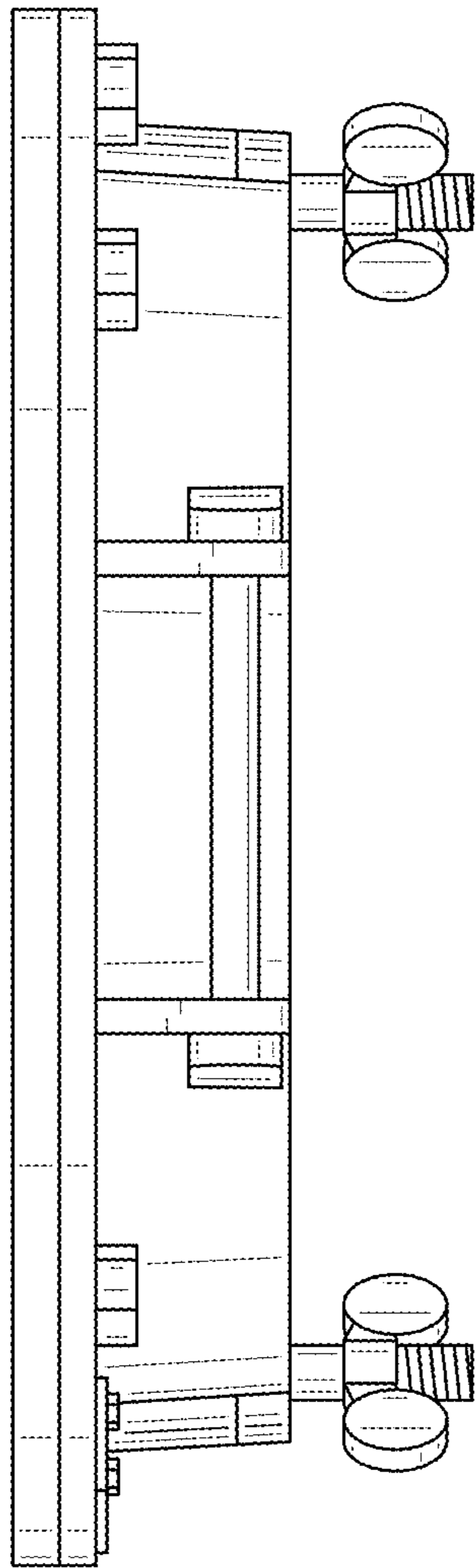


FIG. 4

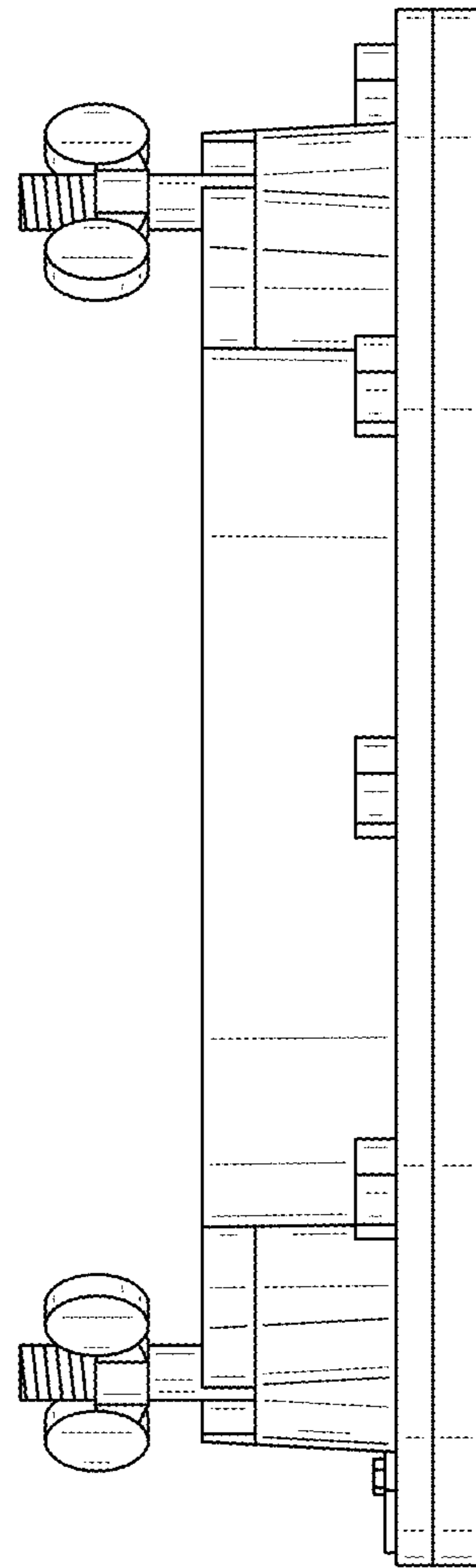


FIG. 5

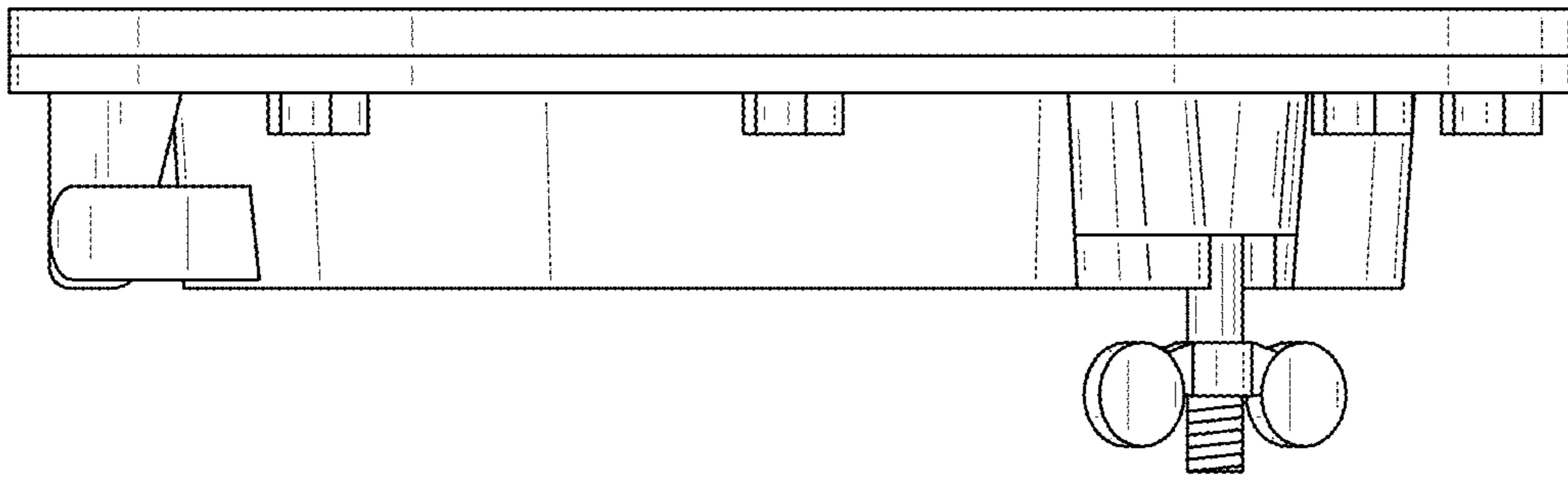


FIG. 6

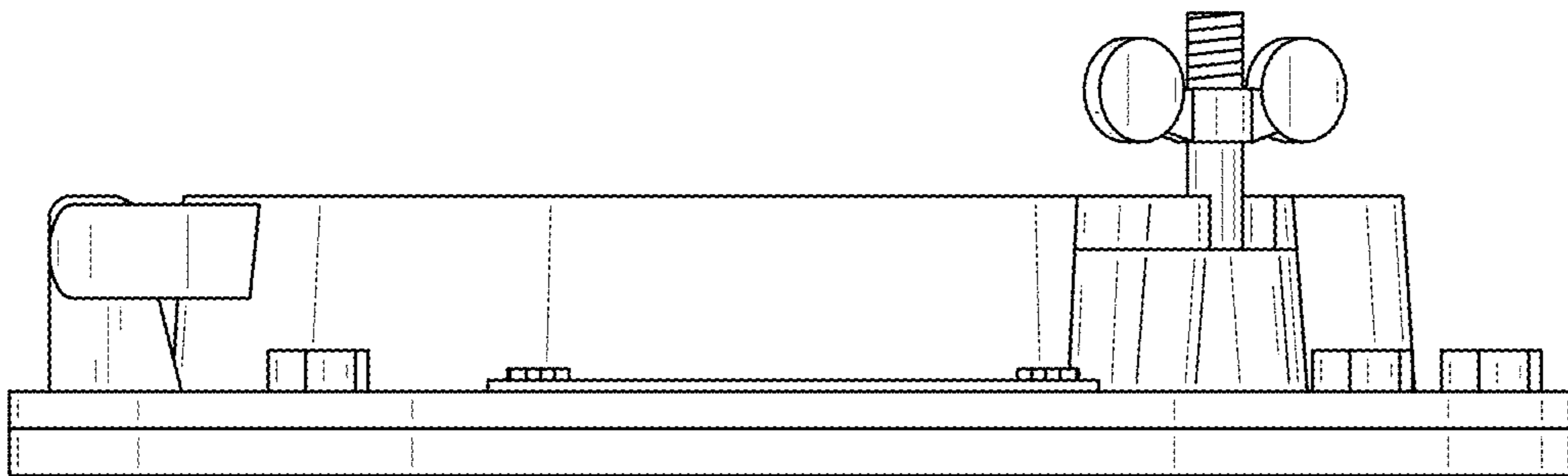


FIG. 7